

## DS-D5022FC-C 22-inch Monitor



- Ultra-thin device body with ultra-thin border for 3 sides.
- 2 channels of 8 bit/10 bit LVDS HD (1920 × 1080) display.
- 178° ultra-wide view screen.
- 3D noise reduction.
- Built-in speaker for audio input.
- Support 1 channel BNC surveillance video input with professional surveillance standard BNC interface.
- Multimedia playing of text, image, audio, video, etc.
- Support VESA wall mount.

## ▪ Specification

	Model	DS-D5022FC-C
<b>Display</b>	Screen Size	21.5 inch
	Active Display Area	478.656 (H) mm × 260.280 (V) mm
	Resolution	1920 × 1080
	Backlight	E-LED
	Pixel Pitch	0.241 (H) mm × 0.241 (V) mm
	Brightness	250 cd/m <sup>2</sup>
	Viewing Angle	178° (H) / 178° (V)
	Color Depth	8 bit, 16.7M
	Contrast Ratio	3000 : 1
	Response Time	6.5 ms
	Refresh Rate	60 Hz
	Haze	Haze 25%, 3H
	Reliability	7 × 18H
	Color Gamut	72% NTSC
<b>Interface</b>	Video & Audio Input	HDMI 1.4 × 1, VGA × 1, CVBS × 1, AUDIO IN × 1
	Video & Audio Output	Speaker (2W 8Ω) × 2
<b>Power</b>	Power Supply	100 to 240 VAC, 50/60 Hz
	Power Consumption	≤ 22 W
	Standby Consumption	≤ 0.5 W
<b>Working Environment</b>	Working Temperature	0 °C to 40 °C (32 °F to 104 °F)
	Working Humidity	20% to 90% RH (non-condensing)
	Storage Temperature	-20 °C to 60 °C (-4 °F to 140 °F)
	Storage Humidity	5% to 90% RH (non-condensing)
<b>General</b>	Casing Material	Plastic
	VESA	75 mm × 75 mm, 4-M6 × 6 screw holes
	Bezel Width	1.88 mm (top/left/right), 19 mm (bottom)
	Product Dimensions (W × H × D)	With base: 492.356 (W) mm × 390.11 (H) mm × 200.20 (D) mm (19.38" × 15.36" × 7.88") Without base: 492.356 (W) mm × 289.680 (H) mm × 43.88 (D) mm (19.38" × 11.40" × 1.73")
	Package Dimensions (W × H × D)	647 (W) mm × 111 (H) mm × 406 (D) mm (25.49" × 4.37" × 15.99")
	Net Weight	2.6 ± 0.5 kg (5.7 ± 1.1 lb.)
	Gross Weight	3.8 ± 0.5 kg (8.4 ± 1.1 lb.)
	Packing List	Monitor ×1, AC power cable × 1, base bracket × 1, user manual × 1, quick start guide × 1, HDMI cable × 1
	Remarks	*The base is included by default. *The product appearance and parameters in this specification may vary

from your actual device. Please consult our local sales staff for further information.

▪ **Available Model**

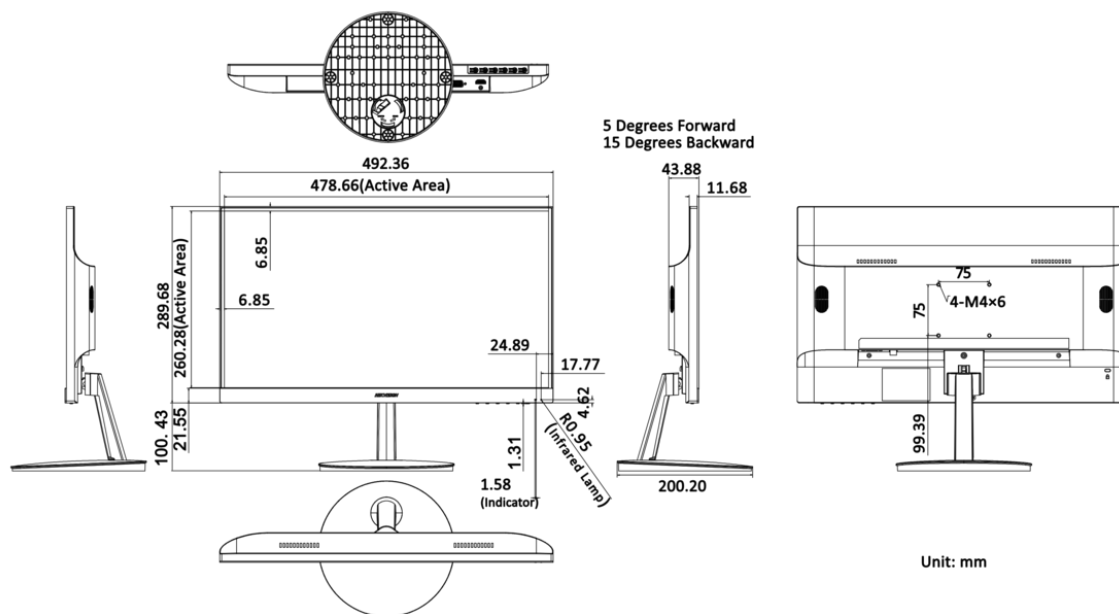
DS-D5022FC-C

▪ **Physical Interface**



Interface	Description	Interface	Description
VGA	VGA analog signal input	BNC	CVBS signal input
HDMI	HDMI 1.4 digital signal input	USB	USB 2.0
AUDIO IN	3.5 mm audio input	AC 100–240V~	100 to 240 VAC, 50/60 Hz power supply

▪ **Dimension**



- **Accessory**
- **Optional**

**DS-DM1940W**  
**Wall-mounted**  
**Bracket**



**Headquarters**

No.555 Qianmo Road, Binjiang District,  
Hangzhou 310051, China  
T +86-571-8807-5998  
www.hikvision.com



Follow us on social media to get the latest product and solution information.

