

DS-2DE4220 series

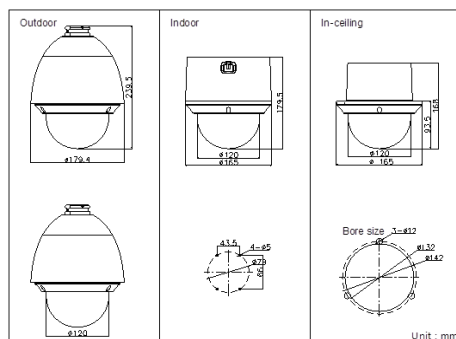
2MP Network PTZ Dome Camera



Key features

- 1/2.8" Progressive Scan CMOS
- 1080P Full HD real-time resolution
- 20X Optical zoom, 16X digital zoom
- True Day/Night, D WDR , 3D DNR
- Privacy Mask, Alarm input/output
- 3D intelligent positioning
- PoE+ / PoE / 24VAC power supply
- Compact-sized design

Dimensions



Accessories



Available models

- DS-2DE4220-AE, 24VAC/PoE+, outdoor
- DS-2DE4220-AE3, 24VAC/PoE, indoor

DS-2DE4220-AE / DS-2DE4220-AE3	
Camera	
Image sensor	1/2.8" Progressive Scan CMOS
Effective pixel	1920(H) × 1080(V)
Min. illumination	Color: 0.05Lux @ (F1.6, AGC On), B/W: 0.01Lux @ (F1.6, AGC On)
White balance	Auto/Manual/ATW/Indoor/Outdoor/Daylight lamp/Sodium lamp
AGC	Auto / Manual
S / N ratio	≥ 52dB
Digital noise reduction	3D DNR
Backlight compensation	BLC
Wide dynamic range	Digital WDR
Defog	Support
Shutter speed	1/1~ 1/10,000s
Day & Night	IR Cut Filter
Digital zoom	16X
Focus mode	Auto / Semiautomatic / Manual
Privacy Mask	8 privacy masks programmable
Lens	
Focal length	4.7-94mm, 20x
Zoom speed	Approx.3s (Optical Wide-Tele)
Angle of view	58.3 ~ 3.2 degree (Wide-Tele)
Min. working distance	10 ~ 1000mm (Wide-Tele)
Aperture range	F1.6 ~ F3.5
Pan and Tilt	
Pan / Tilt range	Pan: 360° endless; Tilt: -2° ~ 90°(Auto Flip) Pan manual speed: 0.1° ~ 160°/s, Pan preset speed: 160°/s
Pan / Tilt speed	Tilt manual speed: 0.1° ~ 120°/s, Tilt preset speed: 120°/s
Proportional zoom	Rotation speed can be adjusted automatically according to zoom multiples
Number of preset	256
Patrol	8 patrols, up to 32 presets per patrol
Park action	Pattern/Pan scan/Tilt scan/Frame scan/Panorama scan/Random scan
Power-off memory	Support
PTZ position display	On / off
Preset freezing	Support
Local Video and Audio	
Alarm input / output	2 input 0-5v DC) / 1 relay output, alarm response actions configurable, rs485 protocol Pelco P/D
Audio input / output	1 mic/Line in, 2-2.4V[p-p]; output impedance: 1KΩ, ±10% / 1 output, Line level, impedance: 600Ω
Network	
Ethernet	10Base-T / 100Base-TX, RJ45 connector
Max. image resolution	1920×1080
Frame rate	50Hz: 25 fps (1920×1080, 1280×720); 60Hz: 30 fps (1920×1080, 1280×720, 704x576, 352x288)
Image compression	H.264/MJPEG: variable bit rate 32Kbps ~ 2048 Kbps
SVC	Support,
ROI encoding	Support 2 areas with adjustable levels, clock programming
Audio compression	G.711u/G.711a 64k/ PCM 128k
Protocols	IPv4/IPv6, HTTP, HTTPS, 802.1X, QoS, FTP, SMTP, UPnP, SNMP, DNS, DDNS, NTP, RTSP, RTP, TCP, UDP, IGMP, ICMP, DHCP, PPPoE
Simultaneous live view	Up to 6
Streams	Dual streams
SD memory card	Built-in micro SD card slot, up to 64GB, support edge recording / alarm error
User/Host Level	Up to 32 users, 3 Levels: Administrator, Operator, User, 3 Mail Send Level
Security measures	User authentication (ID and PW), Host authentication (MAC address), IP address filter
Integration	
Application programming	Open-ended API, support Onvif, PSIA and CGI, Motion Detect Scheduling
Web Browser +	IE 7, Chrome, Firefox, Safari, Android, WMobile, IOS Setup: English, Spanish, Portuguese
General	
Power	-AE: 24VAC/PoE+(802.3af), Max18W; -AE3: 24VAC/PoE(802.3af), Max 12W, BNC Connection
Working temperature	-AE: -30°C ~ 65°C (-22°F ~ 149°F); -AE3: -10°C ~ 50°C (14°F ~ 122°F)
Humidity	90% or less
Protection level	IP66 (outdoor),TVS 4,000V lightning protection, surge protection and voltage transient protection Φ179.4×239.5mm (Φ7.06"×9.43")(outdoor)
Dimensions	Φ165×179.5mm(Φ6.50"×7.07") (ceiling) Φ165×168mm(Φ6.50"×6.61") (In-ceiling)
Weight	Approx. 2Kg (4.41lbs)
Mount option (for outdoor model)	Long-arm wall mount: DS-1601ZJ; Short-arm mount: DS-1618ZJ Pendent mount: DS-1661ZJ(20cm) or DS-1662ZJ(50cm)

