

DS-2CD4312F-I(Z)(H)(S)(PT)



Key Features

- Up to 1.4 megapixel (1280 × 1024) @ 30 fps resolution
- Support H.264+
- H.264 high profile encoding with 1280×1024 @ 30fps, 1280×720 @ 60fps
- Standard video compression with high compression ratio.
- Some specialized encoding functions are supported such as ROI (Region of Interest), SVC (Scalable Video Coding), etc.
- Progressive scan CMOS
- Support three streams, main stream and third stream can be up to 1.4MP, sub-stream for mobile surveillance
- Built-in Micro SD / SDHC / SDXC card slot, up to 128GB
- High-performance and long service life Infrared LED, Approx. 10 to 30 meters
- Support motorized VF lens(-Z model)
- Support smart heater(-H model)
- Support electronically modifying the pan and tilt angle(-PT model)
- Support 3D DNR
- Support Digital WDR
- Support Defocus Detection and alarm linkage
- Support smart face detection. People face can be detected and image encoding on face area can be automatically enhanced.
- Support Environmental Noise Filtering
- Support Audio Exception Detection, alarm will be triggered when the sound intensity is over the previous threshold.
- Support Smart Detection: Intrusion Detection (object or people stopped in ROI), Line Crossing Detection (Flow control and Virtual line), Object Left/Removal, Area Entering/Leaving, Scene Change Detection, Audio Surge Detection, Audio Loss Detection, Defocus Detection, Face Detection, etc.
- Support people counting, volume of visitor flow can be kept and exported
- IR cut filter with auto switch
- Support Smart Defog
- Support EIS
- PoE (Power over Ethernet)

- Up to 20 channels live view at the same time
- Auto-iris, electronic shutter, rotate mode for different surveillance environments
- Support local analog video output for adjustment and installation
- Support configuration of video stream with adjust of: resolution, frame rate, bit rate type (CBR or VBR), Max bit rate;
- 3-axis (pan/tilt/rotation) positioning allows adjustment for optimum camera rotation and position
- Ingress Protection level: IP66
- Impact Protection: IEC60068-2-75 test, Eh, 20J; EN50102, up to IK10
- LOGO picture can be overlaid on video
- Other functions: IP address filtering, anonymous access, PTZ control, alarm, reset button, mirror, Multi-language (including Portuguese) etc.

Specification

Model	DS-2CD4312F-I(Z)(H)(S)(PT)
Parameter	1.4 Megapixel CMOS Vandal-proof and Weather-proof Network Dome Camera
Camera	
Image Sensor	1/3" Progressive Scan CMOS
Min. Illumination	0.01 Lux @ (F1.2, AGC ON), 0 lux with IR 0.014 Lux @ (F1.4, AGC ON), 0 lux with IR
Shutter Speed	1 s to 1/100,000 s
Slow Shutter	Support
Lens	2.8-12mm @ F1.4, angle of view: 98.4-30.2° -Z: 2.8-12mm @ F1.4, angle of view: 98.4-30.2°
Lens Mount	Φ14
Angle Adjustment	Pan:0° - 355°, Tilt: 0° - 75°, Rotation: 0° - 355° -PT: Support electronically modifying the pan and tilt angle
Auto-iris	DC drive
Day & Night	IR cut filter with auto switch
Digital Noise Reduction	3D DNR
Wide Dynamic Range	DWDR
Compression Standard	
Video Compression	H.264+/H.264/MPEG4/MJPEG
H.264 Type	Baseline Profile / Main Profile / High Profile
Video Bit Rate	32 Kbps – 16 Mbps
Audio Compression	G.711/G.722.1/G.726/MP2L2
Audio Bit Rate	64Kbps(G.711) / 16Kbps(G.722.1) / 16Kbps(G.726) / 32-128Kbps(MP2L2)
Image	

Max. Resolution	1280 × 1024
Frame Rate	50Hz: 25fps (1280 × 1024), 25fps (1280 × 960), 50fps (1280 × 720) 60Hz: 30fps (1280 × 1024), 30fps (1280 × 960), 60fps (1280 × 720)
Third Stream	Independent with Main Stream and Sub Stream, up to 50Hz: 25fps (1280 × 1024) 60Hz: 30fps (1280 × 1024)
BLC	Support
HLC	Support
Smart Defog	Support
EIS	Support
Image Setting	Rotate mode, Saturation, Brightness, Contrast adjustable by client software or web browser
Day/Night Switch	Auto/Schedule/Triggered by Alarm In
ROI	Support 4 different areas configuration in all the three streams with adjustable 6 levels. Automatically dynamic tracking with face detection can be configured.
Picture Overlay	LOGO picture can be overlaid on video with 128x128 24bit bmp format
Network	
Network Storage	NAS (Support NFS,SMB/CIFS)
Alarm Trigger	Intrusion Detection (object or people stopped in ROI), Line Crossing Detection (Flow control and Virtual line), Object Left/Removal, Area Entering/Leaving, Scene Change Detection, Audio Surge Detection, Audio Loss Detection, Defocus Detection, Face Detection, Motion detection, Dynamic analysis, Tampering alarm, Network disconnect, IP address conflict, Storage exception
Protocols	TCP/IP,ICMP,HTTP,HTTPS,FTP,DHCP,DNS,DDNS,RTP,RTSP,RTCP,ARP, PPPoE,NTP,UPnP,SMTP,SNMP,IGMP,802.1X,QoS,IPv4/v6,Bonjour
Security	User Authentication, Watermark, IP address filtering, Anonymous access
Standard	ONVIF, PSIA, CGI, ISAPI
Interface	
Communication Interface	1 RJ45 10M/100M Ethernet interface
Video Output	1Vp-p composite output (75 Ω/RCA, for lens adjustment when installation)
On-board storage	Built-in Micro SD/SDHC/SDXC slot, up to 128 GB
Reset Button	Yes
General	
Operating Conditions	-30 °C – 60 °C (-22 °F – 140 °F) Humidity 95% or less (non-condensing) -H: -40 °C – 60 °C (-40 °F – 140 °F) with smart heater on

Smart Heater	-H: support
Power Supply	24 VAC \pm 10% / PoE (802.3af)
Power Consumption	Max. 12.5 W -PT: Max. 13.5W
IR Range	Approx. 10 to 30 meters
Impact Protection	IEC60068-2-75Eh, 20J; EN50102, up to IK10
Ingress Protection level	IP66
Dimensions	Φ 159.8 \times 146 mm (Φ 6.29" \times 5.75")
Weight	2100 g (4.62 lbs)

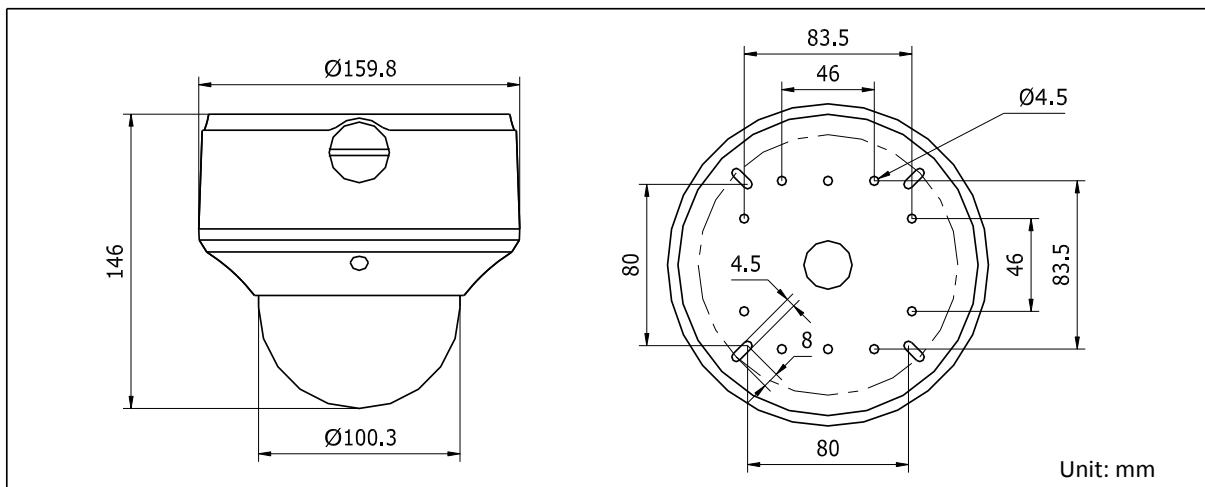
* "-S" series support 1-ch audio I/O, 2-ch alarm I/O and 1-ch RS-485 interface

* "-Z" is equipped with Motorized VF lens

Order Models

DS-2CD4312F-I(Z)(H)(S), DS-2CD4312F-PTZ(S)

Dimensions



Accessories



DS-1268ZJ
Pendant mount



DS-1273ZJ-160
Outdoor wall mount