

## DS-2CD6362F-I(V)(S) 6MP Fisheye Network Camera



DS-2CD6362F-I(V)(S) is designed to single-handedly capture images from every corner of a particular location and eliminate blind spots. It features a progressive scan CMOS sensor to provide high-resolution images of up to 3072 × 2048, and a fisheye lens for a 360 panoramic or multiple de-warped views. Furthermore, IR functionality provides up to 15m IR distance of visibility under low or even zero-light conditions.

It is a great choice for detailed coverage of wide, open areas like airports, shopping malls, parking lots, retail stores, offices, restaurants, classrooms, and more.

### **Multiple Display Modes**

The 6MP IR Fisheye Network Camera supports several viewing modes, including the 360° view (in 3 megapixel resolution, respectively), a horizontal panoramic view, PTZ quad view modes. Customers can also utilize this smooth PTZ function to easily pan, tilt and zoom, on any region of interest (ROI).

- 1/1.8" Progressive Scan CMOS
- 6 megapixel image sensor
- Up to 3072 × 2408 resolution, real-time streaming
- Multiple viewing modes
- Line crossing and intrusion detection
- Ceiling, wall or table mount modes
- Up to 15m IR range
- 360° view angle
- Built-in microphone & speaker
- Audio/Alarm IO/ RS485(-S model)
- IP66(-V model)
- IK10 vandal proof(-V model)



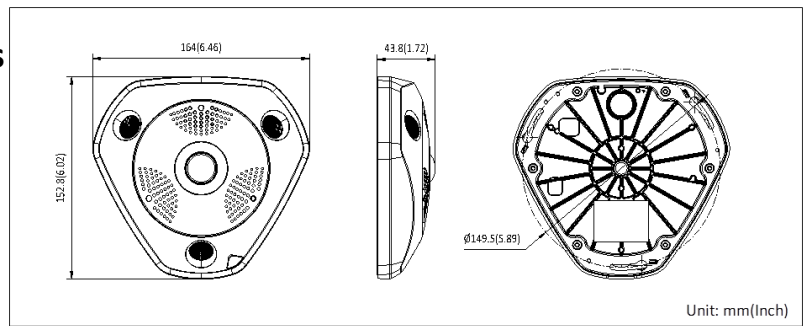
# DS-2CD6362F-I(V)(S) 6MP Fisheye Network Camera



## Specification

<b>Camera</b>		
Image Sensor	1/1.8" Progressive Scan CMOS	
Min. Illumination	0.05 Lux @ (F1.2, AGC ON), 0.3 Lux @ (F2.8, AGC ON), 0 Lux with IR	
Shutter Speed	1/25(1/30)s ~ 1/100,000s	
Lens	1.27mm, F2.8; Angle of view: 180°(wall mount), 360°(ceiling mount)	
Lens Mount	M12	
Day & Night	ICR	
<b>Compression Standard</b>		
Video Compression	H.264 / MJPEG	
H.264 Type	Baseline Profile / Main Profile / High Profile	
Video Bit Rate	32 Kbps – 16 Mbps	
Audio Compression(-S)	G.711/G.726/MP2L2	
Audio Bit Rate	64Kbps(G.711) / 16Kbps(G.726) / 64Kbps(MP2L2)	
<b>Image</b>		
Max. Resolution	3072 × 2048	
Live Mode	Mode1	1×Fisheye + 1×Panorama + 3×PTZ
	Mode2	1×Fisheye(main stream) + 1×Fisheye(sub stream) + 3×PTZ
	Mode3	1×Panorama(main stream) + 1×Panorama(sub stream)
	Mode4	4PTZ
	Mode5	Fisheye
Frame Rate	Mode1	50Hz: 1×fisheye (2048×2048, 1280×1280, 12.5fps), 1×panoramic (2048×1536,1920×1080,2048×768,12.5fps), 3×PTZ (1024×768, 640×480,320×240,12.5fps) 60Hz: 1×fisheye (1280×1280, 15fps), 1×panoramic (2048×1536, 1920×1080,2048×768,15fps), 3×PTZ (1024×768, 640×480,320×240,15fps)
	Mode2	50Hz: 1×Fisheye(2048×2048, 12.5fps; 1024×1024, 25fps) + 1×Fisheye(720×720, 12.5fps) + 3×PTZ(1024×768, 12.5fps) 60Hz: 1×Fisheye(2048×2048, 15fps; 1024×1024, 25fps) + 1×Fisheye(720×720, 15fps) + 3×PTZ(1024×768, 15fps)
	Mode3	50Hz:1×Panorama(2048×1536(ceiling or table)/1920×1080(ceiling or table) /2048×1536 (wall mount)/2048×768(wall mount), 25fps) + 1×Panorama(704×576, 25fps) 60Hz:1×Panorama(2048×1536(ceiling or table)/1920×1080(ceiling or table)/ 2048×1536(wall mount)/2048×768(wall mount), 30fps) + 1×Panorama(704×576, 30fps)
	Mode4	50Hz: 4×PTZ(1600×1200,1024×768, 704×576,640×480,320×240,25fps) 60Hz: 4×PTZ(1600×1200,1024×768, 704×576,640×480,320×240,30fps)
	Mode5	50Hz: 1×Fisheye(3072×2048,2048×2048, 1280×1280,25fps)+1×Fisheye(720×720,704×576, 12.5fps) 60Hz:1×Fisheye(3072×2048,24fps,2048×2048,1280×1280,30fps)+1×Fisheye(720×720,704×576,15fps)
Digital Noise Reduction	3D DNR	
Image Setting	Saturation, Brightness, Contrast, Hue, Sharpness, AGC, White Balance	
Wide Dynamic Range	Digital WDR	
Day/Night Switch	Auto/Schedule/Alarm Trigger	
ROI	Up to 4 fixed areas in each stream	

## Dimensions



<b>Intelligent</b>	
Heat Map	Recording the motion of foot traffic over a period of time and displays temporal density and spatial statistics in different colors.
<b>Network</b>	
Network Storage	NAS (Support NFS,SMB/CIFS)
Alarm Trigger	Line crossing detection, Intrusion detection, Motion detection, Dynamic analysis, Tampering alarm, Network disconnect, IP address conflict, Storage exception
Protocols	TCP/IP (IPv4/IPv6),UDP, ICMP, HTTP, HTTPS, FTP, DHCP, DNS, DDNS, RTP, RTSP, RTCP, PPPoE, NTP, UPnP, SMTP, SNMP, SSL/TLS, IGMP, 802.1X, QoS, Bonjour Support ONVIF(PROFILE S,PROFILE G), PSIA, CGI, ISAPI
Security	User Authentication, Watermark, IP address filtering, Anonymous access
<b>Interface</b>	
Communication Interface	1 RJ45 10M/100M/1000M Ethernet interface; 1 RS485 interface(-S)
Audio Input	1 3.5mm audio interface, Mic in/Line in (-S); 1 built-in microphone by default, 24db
Audio Output	1 3.5mm audio output interface (-S); 1 built-in speaker by default, support echo cancellation
Alarm Input(-S)	1
Alarm Output(-S)	1
On-board storage	Built-in Micro SD/SDHC/SDXC slot, up to 128 GB
<b>General</b>	
Operating Conditions	Indoor: -10 °C – 50 °C (14 °F – 122 °F) Outdoor: -30 °C – 60 °C (-22 °F – 140 °F) Humidity 95% or less (non-condensing)
Power Supply	12 VDC ± 10% / PoE (802.3af)
Power Consumption	Max. 12W
IR Range	15 meters
Certification	FCC, CE, UL, RoHS, IEC/EN 61000, IEC/EN 55022, IEC/EN 55024, IEC /EN60950-1
Impact Protection	-V: IEC60068-2-75Eh, 20J; EN50102, up to IK10
Ingress Protection level	-V: IP66
Dimensions	164x152.8x43.8mm(6.46"x6.02"x1.72")
Weight	1400g
<b>Order Models</b>	
	DS-2CD6362F-I, DS-2CD6362F-IV, DS-2CD6362F-IS, DS-2CD6362F-IVS

## Accessories



DS-1280ZJ-DM25  
Junction box



DS-1281ZJ-DM25  
Inclined ceiling mount



DS-1273ZJ-DM25  
Wall mount



DS-1271ZJ-DM25  
Pendant mount