

DS-MCW407(D) Linux Big Button 4G Body Camera



- 1080p HD recording.
- IR function to recognize the facial features in the captured picture even in dim environment.
- Realtime status transmitted to central platform via 4G connection, which include GPS and live view.
- Built-in battery good for a full-shift work.
- Small size, light weight, and convenient to carry.
- Large-button in the front for press-and-play recording.

▪ Specification

Camera	
Image Sensor	1/3" progressive scan CMOS
Max. Recording Resolution	1920 × 1080
Min. Illumination	Color: 0.07 Lux @ (F2.2, AGC ON), 0 Lux with supplement light
Day & Night	Switch IR cut filter automatically
Zoom	4× Digital
White Light	1 white light(s)
Lens	
Focal Length	2.4 mm fixed lens
FOV	Horizontal FOV: 135°, Vertical FOV: 75°, Diagonal FOV: 145°
Aperture	F2.2
Video	
Video Compression	H.264,H.265
Video Format	MP4,PS
Main Stream	60 Hz: 30 fps (1920 × 1080, 1280 × 720, 720 × 576)
Sub-Stream	30 fps (1280 × 720, 720 × 576)
Pre-record & Post-record	Pre-record: 10 s, Post-record: 60 s
Audio	
Audio Compression for Video Recording	G722_1,AAC
Audio Compression for Audio Recording	PCM
Audio Compression for Group Intercom	G711_A,G711_MU,G722_1
Audio Bit Rate	G711_A(64 kbps) ,G711_MU(64 kbps),G722_1(16 kbps) ,AAC(64 kbps),PCM(128 kbps)
Image	
Image Format	JPEG
Screen	
Display Resolution	320 × 240
Screen Size	2.0"
Touchscreen	Supported
Storage	
RAM	128 MB
ROM	32 GB by default, 64/128/256 GB optional
IR	
IR Range	Up to 10 m
IR Wavelength	850 nm
Wireless Network	
Wi-Fi Protocol	802.11 a/b/g/n
Wi-Fi Frequency Band	2.412 to 2.472 GHz
Cellular Network	Only available for models with /GLE: GSM: 850/900/1800/1900,WCDMA: B1/B8,FDD -LTE: B1/B3/B4/B7/B20/B28,TDD -LTE: B34/B38/B39/B40/B41

Positioning Mode	GPS
Network	
Protocol	HTTPS, RTSP, NTP, FTP
API	ONVIF (PROFILE S, PROFILE G, PROFILE T),ISAPI,SDK,ISUP
Interface	
Audio Type	1 built-in mic(s),1 speaker(s)
Indicator	2 indicator(s) for charging/working/recording/exception
Button	Power,Video recording,Audio recording,Picture capture,PTT,SOS,Fn
SIM Card	Only available for models with /GLE: 1 Nano-SIM card(s)
Charging Interface	Type-C, Pin connection
USB	1 USB 2.0 port(s)
General	
Operating Condition	-20 °C to 55 °C (-4 °F to 131 °F). Humidity 95% or less (non-condensing)
Power	5 VDC, 2.0 A, max. 10 W
Dimensions	82.6 mm × 58 mm × 29 mm (3.3" × 2.3" × 1.1")
Weight	159.5 g (without mounting) (0.4 lb.)
Operating System	Linux
Client	Hik-Connect,HikCentral Pro,HikCentral Master,HikCentral Master Lite
MIC	Supported
Speaker	1 built-in speaker(s), max. power consumption: 1 W, max. sound pressure level: 87 dB (10 cm)
Battery	
Battery Type	Lithium-ion battery, integral
Capacity	3220 mAh
Charging Time	≤ 4 h
Battery Duration	Up to 12h in 720p resolution ¹
Approval	
RF	EN 300 328 V2.1.1 (BT or 2.4G),EN 62311:2008 (BT or 2.4G),EN 55032:2015,EN 61000-3-2:2014,EN 61000-3-3:2013,EN 50130-4:2011+A1:2014)
EMC	CE-EMC: EN 55032: 2015,EN 61000-3-2: 2019,EN 61000-3-3: 2013,EN 50130-4: 2011 +A1: 2014
Safety	CB: IEC 62368-1: 2014+A11,IEC 62368-1: 2018,CE-LVD: EN 62368-1: 2014/A11: 2017,EN IEC 62368-1:2020+A11:2020,CE-LVD: EN 62368-1: 2014/A11: 2017
Environment	CE-RoHS: 2011/65/EU,WEEE: 2012/19/EU,Reach: Regulation (EC) No 1907/2006
Protection	IP68: IEC 60529-2013,MIL STD 810G

1: This is a basic estimation of battery working life only when recording is on. Additional power consumption should be considered when IR, GPS, and/or network connection is on.

▪ Available Model

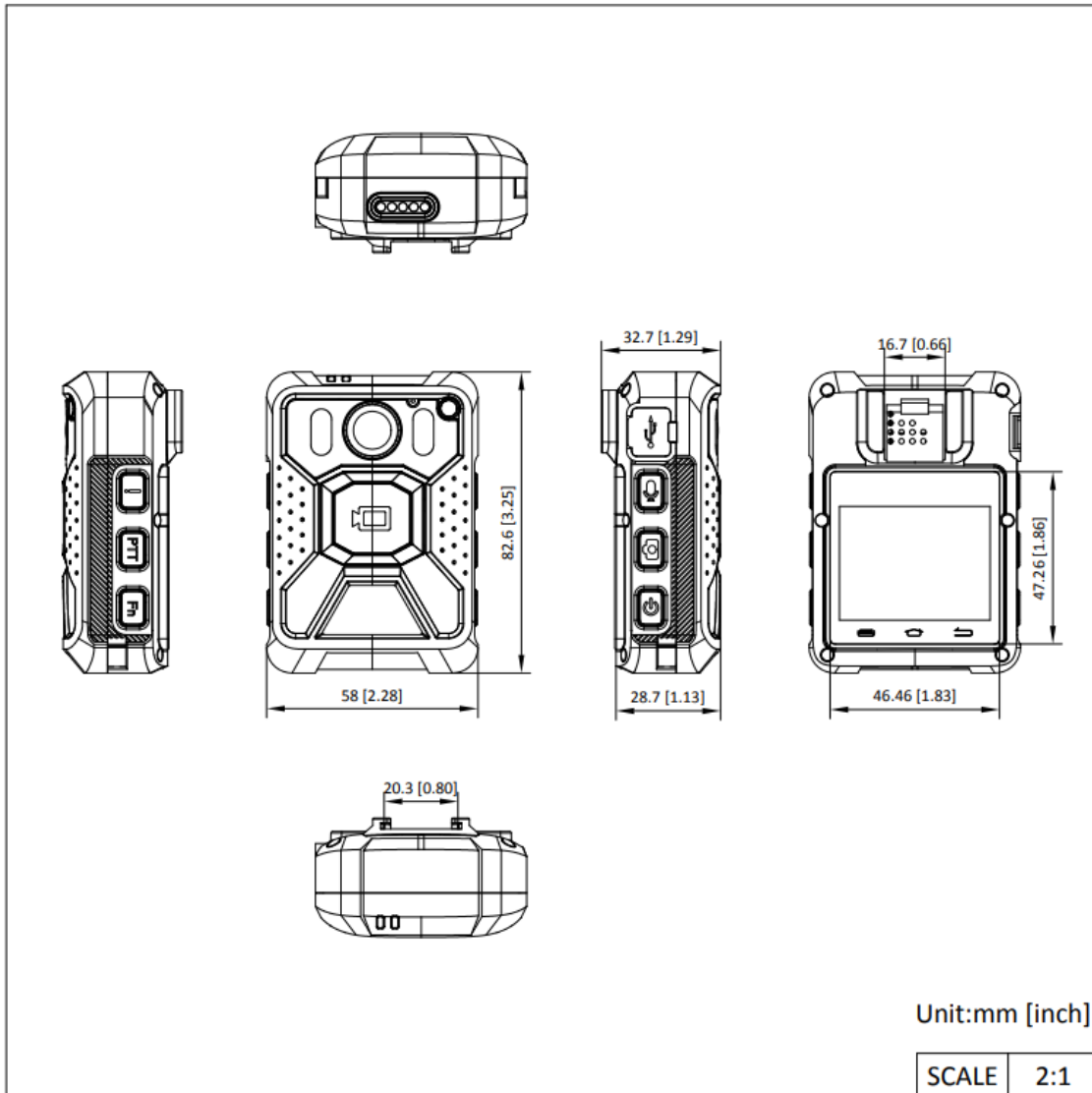
DS-MCW407/32G/GLE(D)

DS-MCW407/32G/GPS/WIFI(D)

DS-MCW407/64G/GLE(D)

DS-MCW407/128G/GLE(D)

▪ Dimension



▪ **Accessory**

▪ **Included**



▪ **Optional**

<p>DS-MH1710-N1-S Body Camera Metal Clip</p>	<p>DS-MH1711-HM Body Camera Chest Harness</p>	<p>DS-MH1721 Oblique Shoulder Harness</p>	<p>DS-MH1714 Body Camera Clip-Fast Click</p>	<p>DS-MH1412-B1 6 Ports Body Camera Charge Cradle</p>
				
<p>DS-MH1310-B1 Body Camera Battery</p>	<p>DS-MH1712 Clip of Body Camera</p>	<p>DS-MH1717 Body Camera -Magnetic Clip</p>	<p>DS-MH1716 Body Camera -Alligator Clip</p>	<p>DS-MH1715 Body Camera -Wearable Clip</p>
				

Headquarters

No.555 Qianmo Road, Binjiang District,
Hangzhou 310051, China
T +86-571-8807-5998
www.hikvision.com



Follow us on social media to get the latest product and solution information.

