



LED Multi-Media Display

Installation Guide

Legal Information

©2022 Hangzhou Hikvision Digital Technology Co., Ltd. All rights reserved.

About this Manual

The Manual includes instructions for using and managing the Product. Pictures, charts, images and all other information hereinafter are for description and explanation only. The information contained in the Manual is subject to change, without notice, due to firmware updates or other reasons. Please find the latest version of this Manual at the Hikvision website (<https://www.hikvision.com/>).

Please use this Manual with the guidance and assistance of professionals trained in supporting the Product.

Trademarks

HIKVISION and other Hikvision's trademarks and logos are the properties of Hikvision in various jurisdictions.

Other trademarks and logos mentioned are the properties of their respective owners.

HDMI[™] : The terms HDMI and HDMI High-Definition Multimedia Interface, and the HDMI Logo are trademarks or registered trademarks of HDMI Licensing Administrator, Inc. in the United States and other countries.

Disclaimer

TO THE MAXIMUM EXTENT PERMITTED BY APPLICABLE LAW, THIS MANUAL AND THE PRODUCT DESCRIBED, WITH ITS HARDWARE, SOFTWARE AND FIRMWARE, ARE PROVIDED "AS IS" AND "WITH ALL FAULTS AND ERRORS". HIKVISION MAKES NO WARRANTIES, EXPRESS OR IMPLIED, INCLUDING WITHOUT LIMITATION, MERCHANTABILITY, SATISFACTORY QUALITY, OR FITNESS FOR A PARTICULAR PURPOSE. THE USE OF THE PRODUCT BY YOU IS AT YOUR OWN RISK. IN NO EVENT WILL HIKVISION BE LIABLE TO YOU FOR ANY SPECIAL, CONSEQUENTIAL, INCIDENTAL, OR INDIRECT DAMAGES, INCLUDING, AMONG OTHERS, DAMAGES FOR LOSS OF BUSINESS PROFITS, BUSINESS INTERRUPTION, OR LOSS OF DATA, CORRUPTION OF SYSTEMS, OR LOSS OF DOCUMENTATION, WHETHER BASED ON BREACH OF CONTRACT, TORT (INCLUDING NEGLIGENCE), PRODUCT LIABILITY, OR OTHERWISE, IN CONNECTION WITH THE USE OF THE PRODUCT, EVEN IF HIKVISION HAS BEEN ADVISED OF THE POSSIBILITY OF SUCH DAMAGES OR LOSS.

YOU ACKNOWLEDGE THAT THE NATURE OF THE INTERNET PROVIDES FOR INHERENT SECURITY RISKS, AND HIKVISION SHALL NOT TAKE ANY RESPONSIBILITIES FOR ABNORMAL OPERATION, PRIVACY LEAKAGE OR OTHER DAMAGES RESULTING FROM CYBER-ATTACK, HACKER ATTACK, VIRUS INFECTION, OR OTHER INTERNET SECURITY RISKS; HOWEVER, HIKVISION WILL PROVIDE TIMELY TECHNICAL SUPPORT IF REQUIRED.

YOU AGREE TO USE THIS PRODUCT IN COMPLIANCE WITH ALL APPLICABLE LAWS, AND YOU ARE SOLELY RESPONSIBLE FOR ENSURING THAT YOUR USE CONFORMS TO THE APPLICABLE LAW. ESPECIALLY, YOU ARE RESPONSIBLE, FOR USING THIS PRODUCT IN A MANNER THAT DOES NOT INFRINGE ON THE RIGHTS OF THIRD PARTIES, INCLUDING WITHOUT LIMITATION, RIGHTS OF




LED Multi-Media Display Installation Guide

PUBLICITY, INTELLECTUAL PROPERTY RIGHTS, OR DATA PROTECTION AND OTHER PRIVACY RIGHTS. YOU SHALL NOT USE THIS PRODUCT FOR ANY PROHIBITED END-USES, INCLUDING THE DEVELOPMENT OR PRODUCTION OF WEAPONS OF MASS DESTRUCTION, THE DEVELOPMENT OR PRODUCTION OF CHEMICAL OR BIOLOGICAL WEAPONS, ANY ACTIVITIES IN THE CONTEXT RELATED TO ANY NUCLEAR EXPLOSIVE OR UNSAFE NUCLEAR FUEL-CYCLE, OR IN SUPPORT OF HUMAN RIGHTS ABUSES.

IN THE EVENT OF ANY CONFLICTS BETWEEN THIS MANUAL AND THE APPLICABLE LAW, THE LATTER PREVAILS.

Symbol Conventions

The symbols that may be found in this document are defined as follows.

Symbol	Description
 Danger	Indicates a hazardous situation which, if not avoided, will or could result in death or serious injury.
 Caution	Indicates a potentially hazardous situation which, if not avoided, could result in equipment damage, data loss, performance degradation, or unexpected results.
 Note	Provides additional information to emphasize or supplement important points of the main text.

Safety Instruction

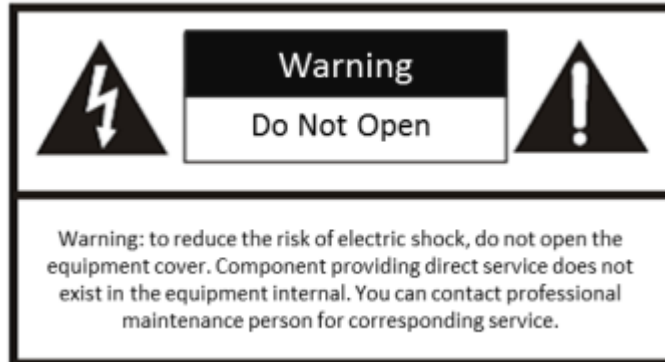
For safety concerns, the device has been strictly tested before shipment. However, incorrect installation or usage may lead to hazardous results such as electric shock and fire. To ensure the service life and best performance of the device, please read the notice and plate signs carefully and follow the safety instructions. Keep this guide properly for later use.

Caution

- To ensure safety, the installation parts and the wall should support four times the weight of the device.
- Install the device no more than 5 mm away from the wall or other metal racks in case of lamp board drop resulting in electric shock.
- Please set the brightness of the LED display within 500 nits to avoid power overload.
- The device may generate radio interference in indoor environment. Necessary precautions may be required.
- To reduce the risk of fire or electric shock, please do not expose the device to rain or humid environment.
- Electric discharge may last for a short period of time after the power is shut down. Please wait two minutes after the power is shut down before operating the device.
- To avoid the risk of electric shock, please do not operate when the power is on.
- Please do not plug and unplug the power cable when the power is on.
- Ensure the correct wire sequence of the terminals connected to the AC power supply.
- Do not place anything containing liquid on the device to avoid the risk of fire or electric shock caused by liquid-splashing.
- The device is only suitable for installation on the concrete or non-flammable surfaces, to prevent molten material from dripping to the bottom during fire caused by internal failure.
- Keep 90 degrees when moving and using the device.

LED Multi-Media Display Installation Guide

- After installation, there should be no openings around the LED module. The bottom bracket under the wire outlet position should completely cover the bottom hole only to let the wire out, to prevent the molten material from dripping to the bottom during fire caused by internal failure.



Warning

- In the use of the product, you must be in strict compliance with the electrical safety regulations of the nation and region.
- Disconnect the power plug before maintenance.
- Make sure the power supply is well-grounded.
- The protective grounding of the device should be reliably connected to the building protective grounding.
- To reduce the risk of electric shock, install protective shield on the exposed connector after installing LED screen.
- Disconnect the power plug before installing the protective shield.
- A disconnecting device should be provided on the outside of the equipment. A single device is recommended for AC 220 V / 230 V / 240 V, 6 A circuit breakers. When multiple devices are superimposed, a suitable circuit breaker should be selected according to the total rated current, but it must not exceed the building equipped circuit specifications.
- To prevent injury, the device must be securely fixed to the ground, wall, ceiling, or steel frame. The all-in-one rack should be fixed to the ground with expansion screws.
- The supporting rack can only be used with the device. Using it with other devices may cause instability and injury.
- The device can only be used with the supporting rack. Using it with other equipment (such as a cart, shelf, or handling device) may cause instability and injury.
- Please strictly follow the installation method in this guide.
- The external wire connection between device and hazardous electronic terminals should be operated by professionals.
- This is a class A product and may cause radio interference in which case the user may be required to take adequate measures.

Contents

Chapter 1 Overview.....	1
1.1 Product Introduction	1
1.2 Product Components.....	1
1.3 Packing List	1
1.4 Installation Procedure	2
Chapter 2 Bracket.....	4
2.1 About the Bracket	4
2.2 Precautions	4
2.3 Install the Bracket	4
2.3.1 Install the Mobile Bracket.....	4
2.3.2 Install the Wall-Mounted Bracket	8
Chapter 3 Cabinet	12
3.1 About the Cabinet	12
3.2 Precautions	12
3.3 Install the Cabinets.....	12
3.3.1 Install Cabinet Columns and Controllers	12
3.3.2 Install Cabinet Columns onto Mobile Bracket	15
3.3.3 Install Frames	18
3.4 Wiring.....	22
3.4.1 Power Cords Between Cabinets.....	22
3.4.2 Network Cables Between Cabinets	23
3.4.3 HDMI Cables	24
3.4.4 Weak Power Cords	25
3.4.5 Switch Power Cords.....	25
3.4.6 Type-C Cables	25
3.4.7 RJ 45 Signal Cables	26
3.4.8 Speaker Cables	26
3.4.9 Relay Cables.....	26
3.5 Install Rear Cover Plates and Lamp Board	27

Chapter 4 Device Configuration 30

Chapter 1 Overview

1.1 Product Introduction

The LED multi-media display, hereinafter referred as terminal or device, is a standardized display product, featuring in self-illuminating display, comprehensive information release, remote management and control, miracast, etc. With its fashionable and simple design, the terminal boasts good performance in various aspects. It can bring a wide view without light reflection even in strong light. The integrated management system enables you to remotely control terminals, manage programs, and perform miracast by a PC or mobile phone. Operation through a remote control is also allowed. The LED multi-media display is equipped with Hikvision's professional image processing technology, including Pix Code (algorithm for optimizing the details of low-grayscale image), Pix Master (algorithm for image enhancement), Color Master (algorithm for color fidelity), HDR display, 3D display and other research and development achievements. With clear and vivid images, the device is applicable to scenes with 100 to 200 inch wide view, such as large-scale shopping malls, business buildings, financial halls, airports, high-speed railway stations, government halls, news release halls, exhibition halls, etc.

1.2 Product Components

With LED control system, the LED multi-media display includes sending cards (integration of information release) and receiving cards. Images packaged by the sending card will be sent to the receiving card, and be unpackaged and displayed on the LED display.

1.3 Packing List

Check if the product package or appearance has any damage and check if the accessories are correct before installation.

 **Note**

The accessories vary depending on the models. Packing list below is for reference only.

Table 1-1 Packing List

Item	Quantity
Bracket (mobile or wall-mounted)	1 set

Cabinet	Several regular cabinet unit (the quantity is subject to model)
Frame	1 set
Infrared remote control	1
Cable	Subject to model
Screw	Subject to model

1.4 Installation Procedure

The LED multi-media display can be installed onto a mobile bracket or a wall-mounted bracket. You can choose the installation models according to the actual situation.

Note

The controller should be installed in different order between the two installation models. We highly recommend you to install the controller after assembling accessories and frames in mobile model, and before mounting the cabinet columns to the bracket in wall-mounted model.

LED Multi-Media Display Installation Guide

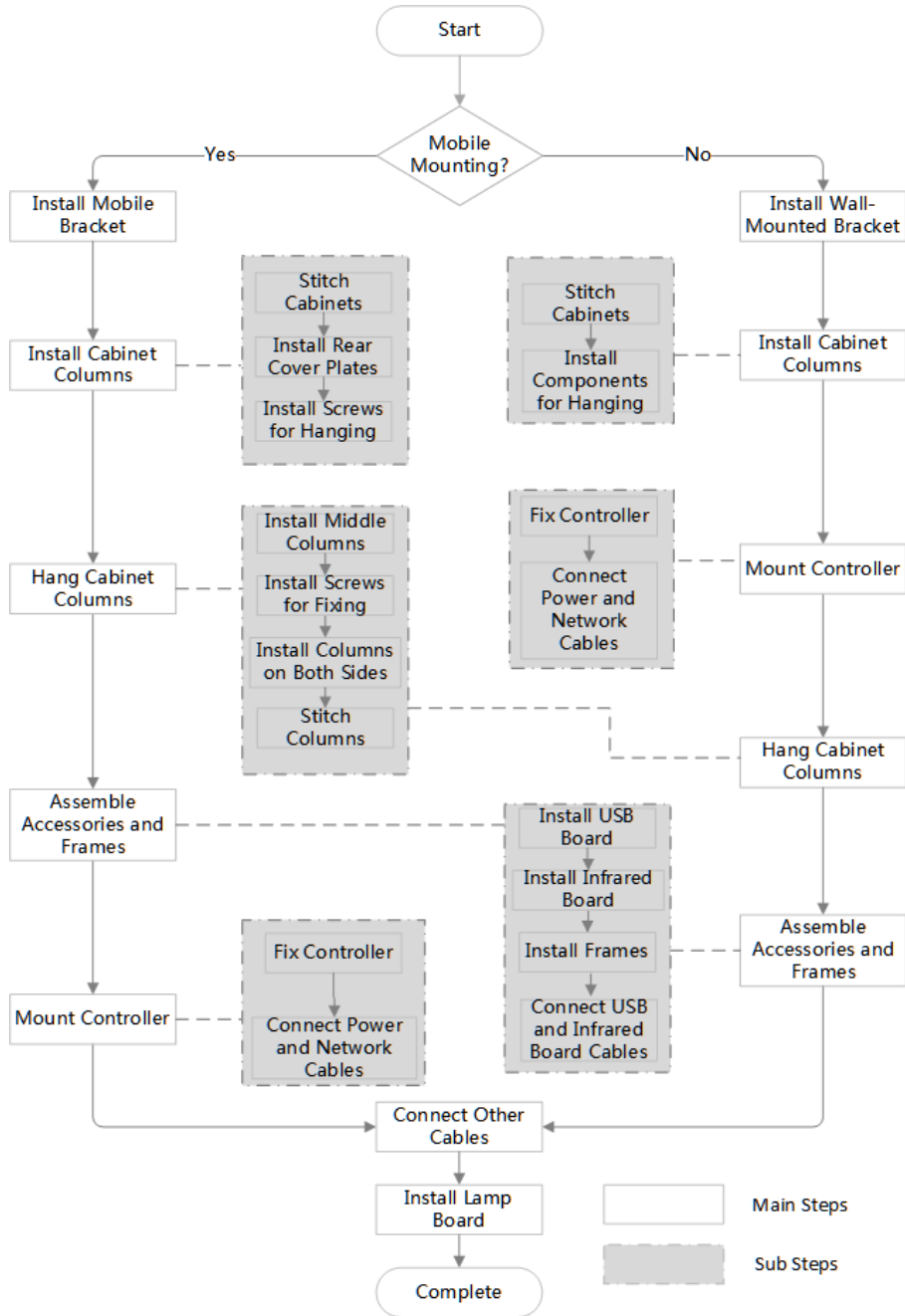


Figure1-1 Installation Procedures

Chapter 2 Bracket

2.1 About the Bracket

There are two types of brackets for the device: the mobile bracket and the wall-mounted bracket.

2.2 Precautions

- Installation personnel must wear protective gear.
- Take safety measures when working at height.
- Make sure that the rack is mounted vertically to the flat ground without tilting or twisting.
- Check that all structural parts and fasteners are fully mounted without missing.
- After all the accessories are mounted, clean all the debris in the rack and avoid metal debris being remained.

2.3 Install the Bracket

Due to the different product versions and installation methods, the bracket appearances of different product models are different. The brackets and cabinets are subject to product models. Please check before installation.

2.3.1 Install the Mobile Bracket

Steps

1. Use screws to fix the four mobile bracket feet on the two vertical poles.

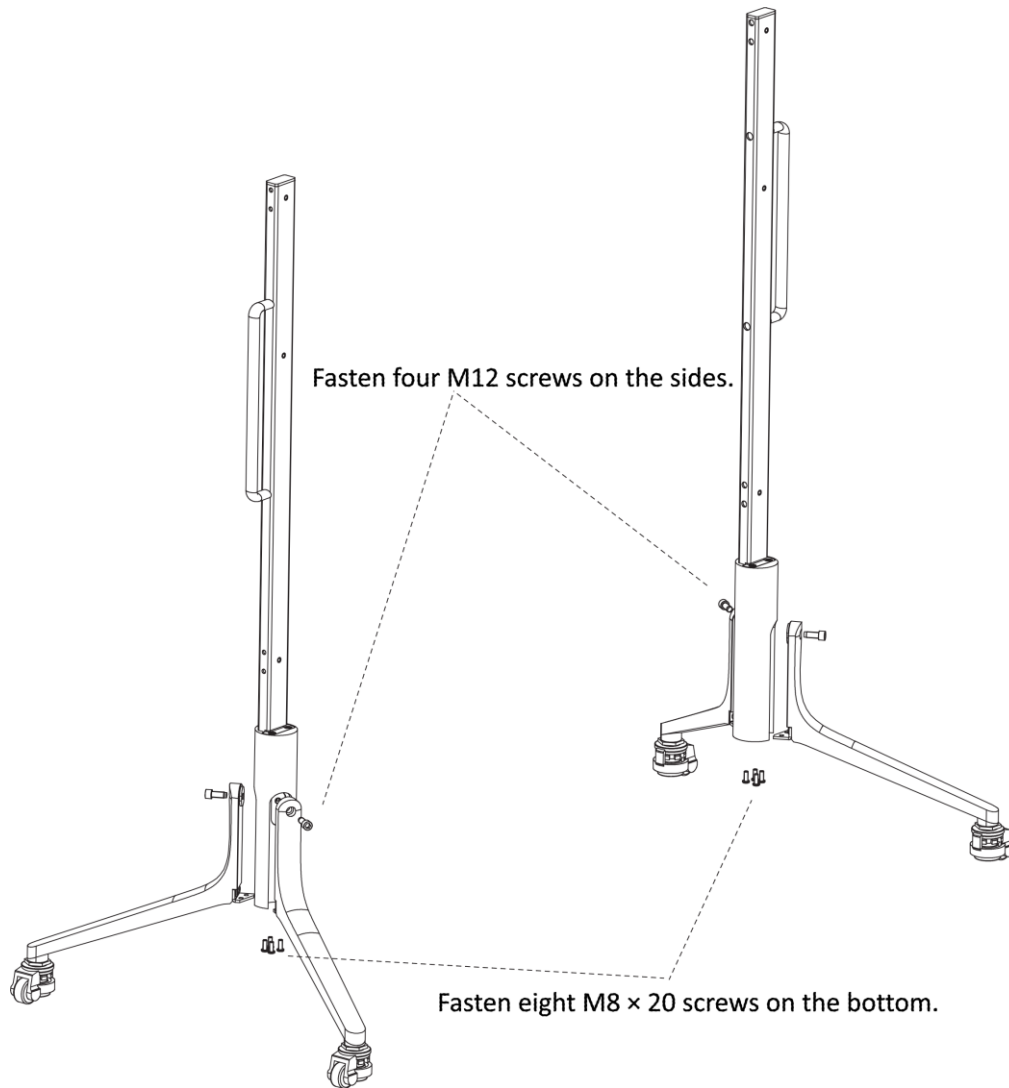


Figure 2-1 Fix Vertical Poles

2. Align the horizontal poles with the screw holes on the vertical poles, and use screws to fix.

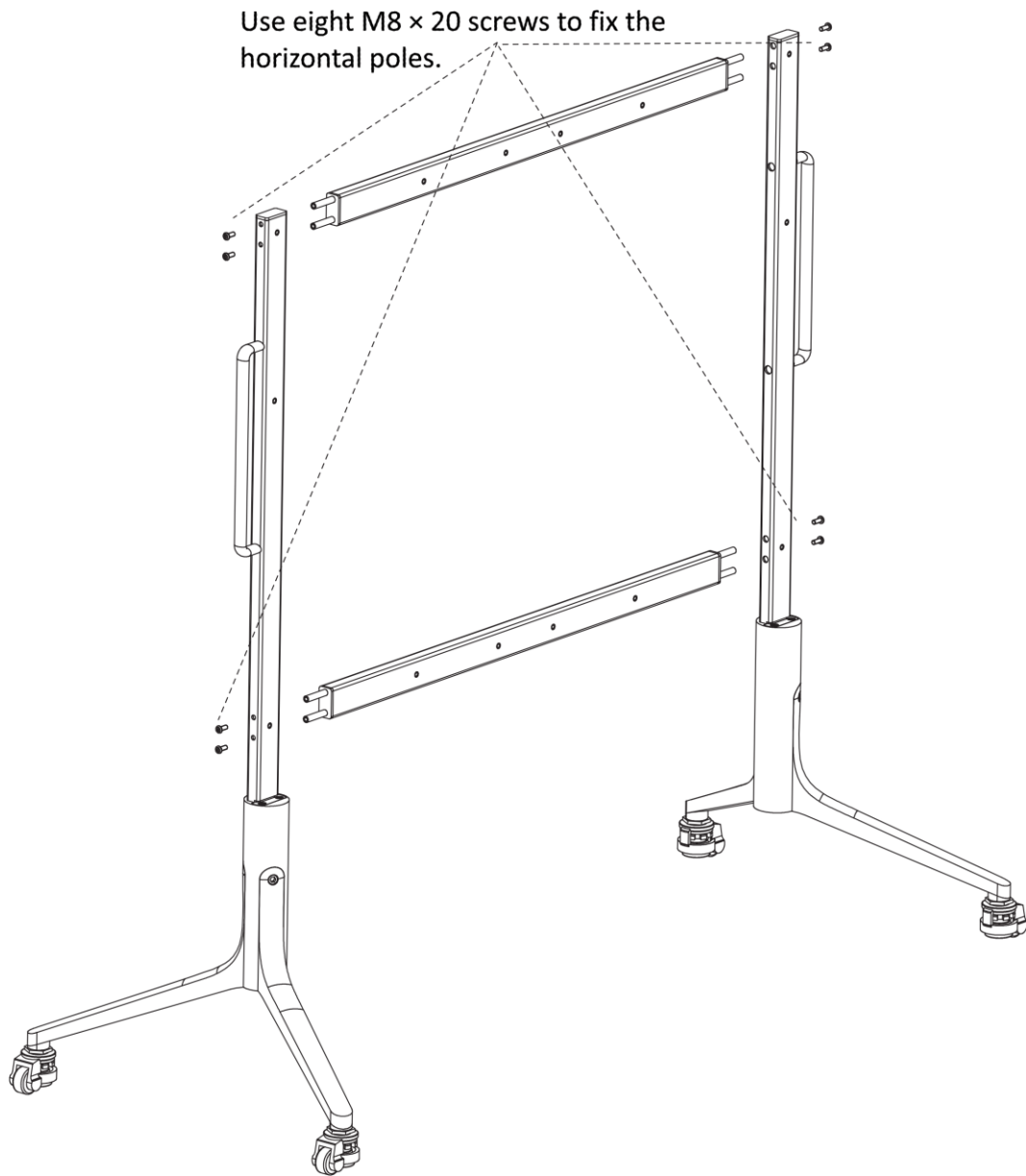


Figure 2-2 Fix Horizontal Poles

3. Install horizontal poles for hanging display.

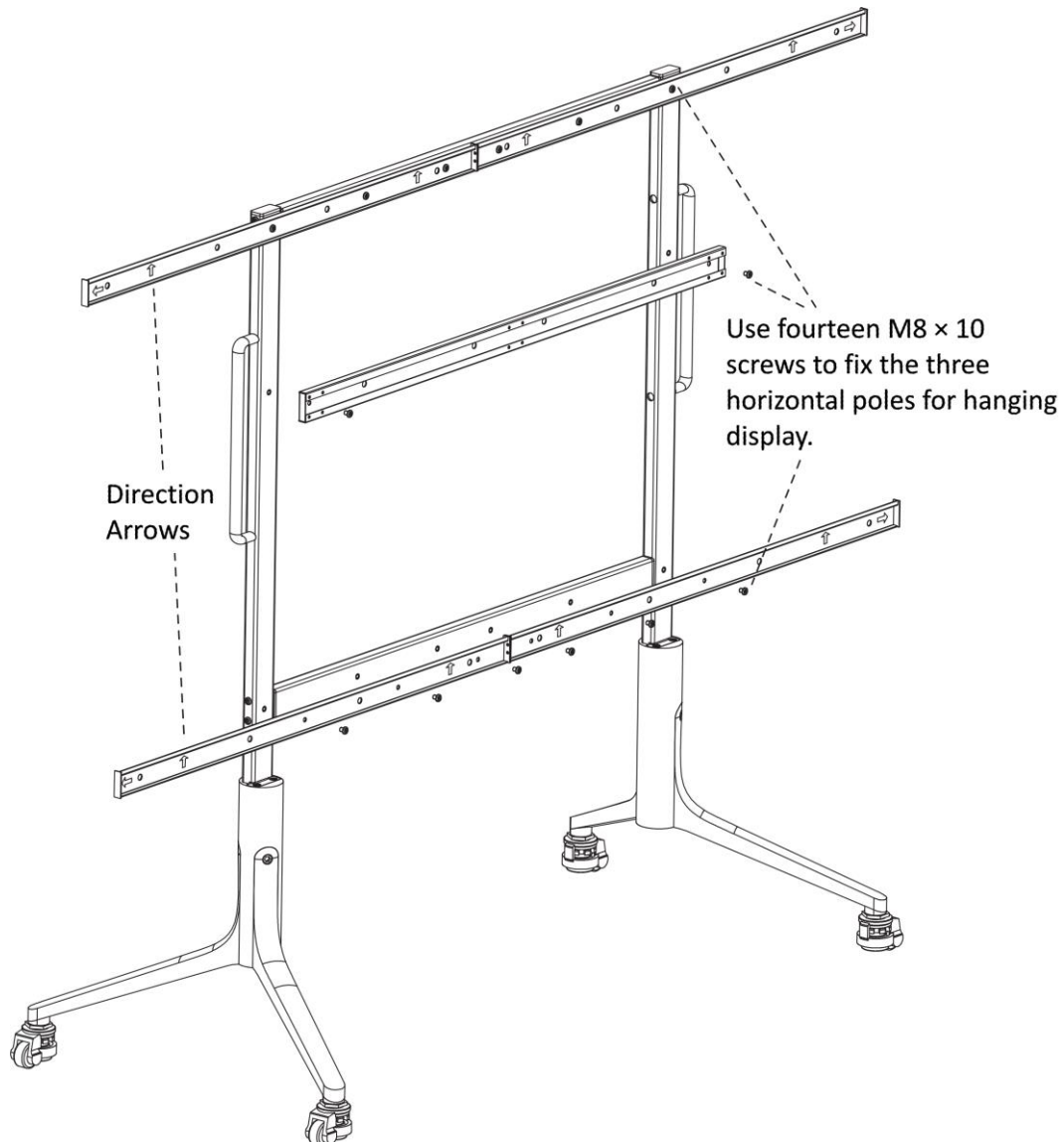


Figure 2-3 Install Horizontal Poles for Hanging Display

Note

Please pay attention to the direction arrows when installing the horizontal poles for hanging display.

4. After the poles are installed, adjust the footmaster levelling swivels to fix the castors for the convenience of following installation.

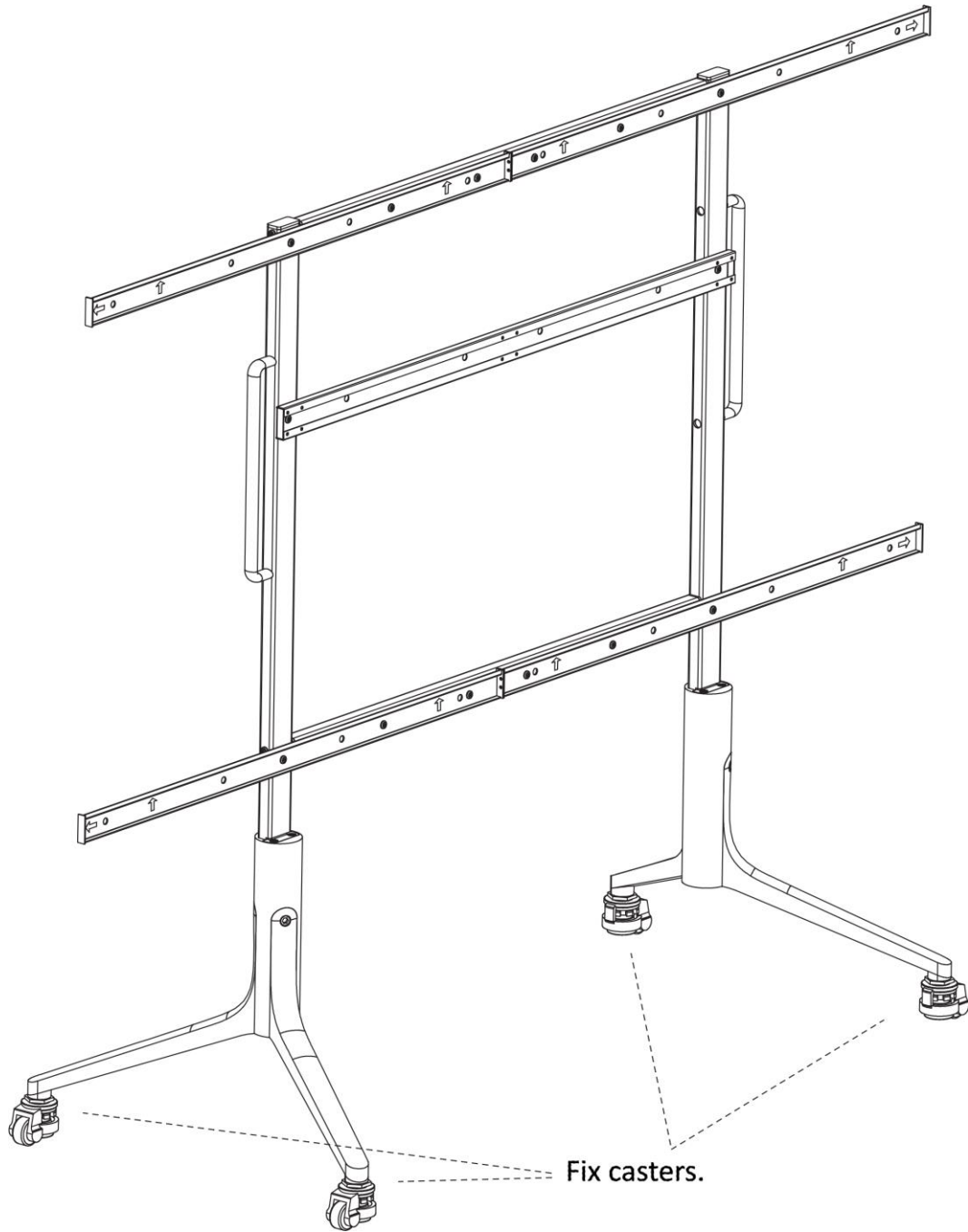


Figure 2-4 Fix Casters

2.3.2 Install the Wall-Mounted Bracket

The wall-mounted bracket is used for installing front-maintenance cabinets only. After determining installation position, fix the horizontal poles to the wall with M8 × 80 screws.

Note

- For wall-mounted installation, reserve installation space for expansion screws of different

LED Multi-Media Display Installation Guide

sizes according to the sizes of the device models.

- You should install the horizontal poles on a vertical load-bearing wall or steel frame.
-

Steps

1. Choose appropriate wall and reserve installation space for the display.
2. Locate the installation holes for expansion screws. Pay attention to the space reserved on the top/bottom/left/right side of the installation holes.

LED Multi-Media Display Installation Guide

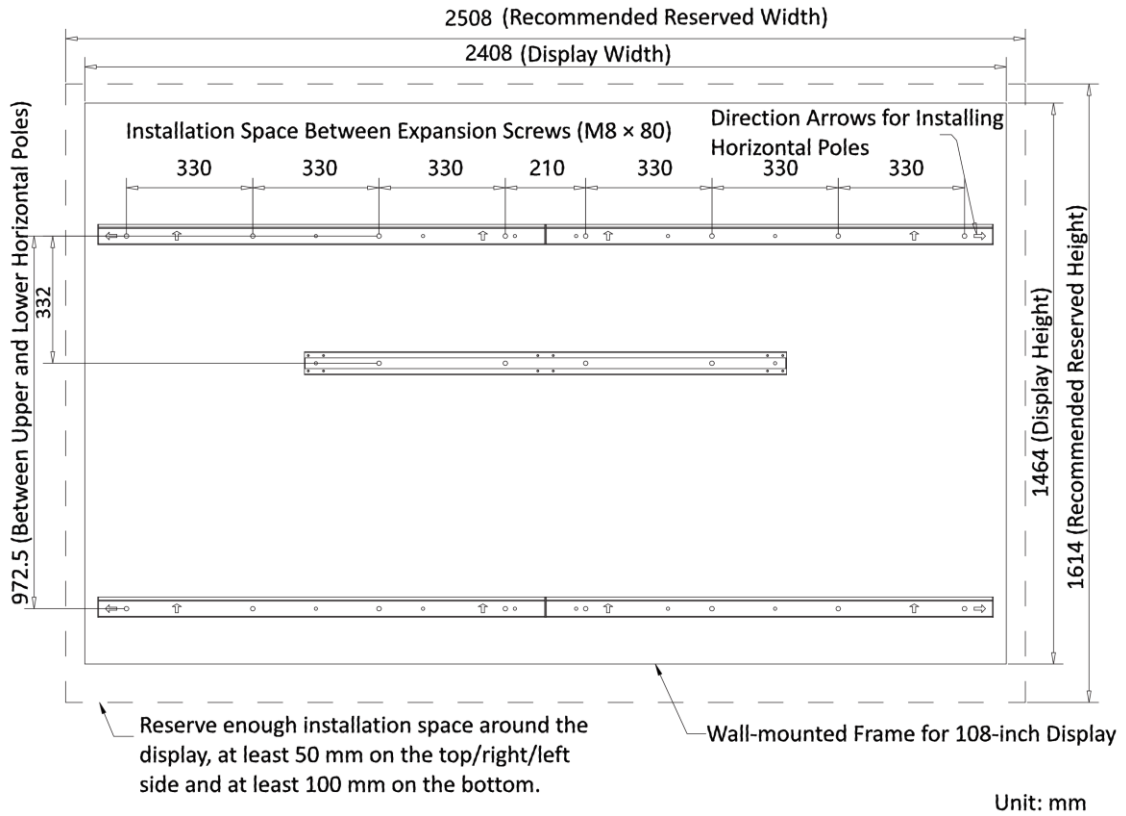


Figure 2-5 Wall-Mounted Bracket for 108-Inch Display

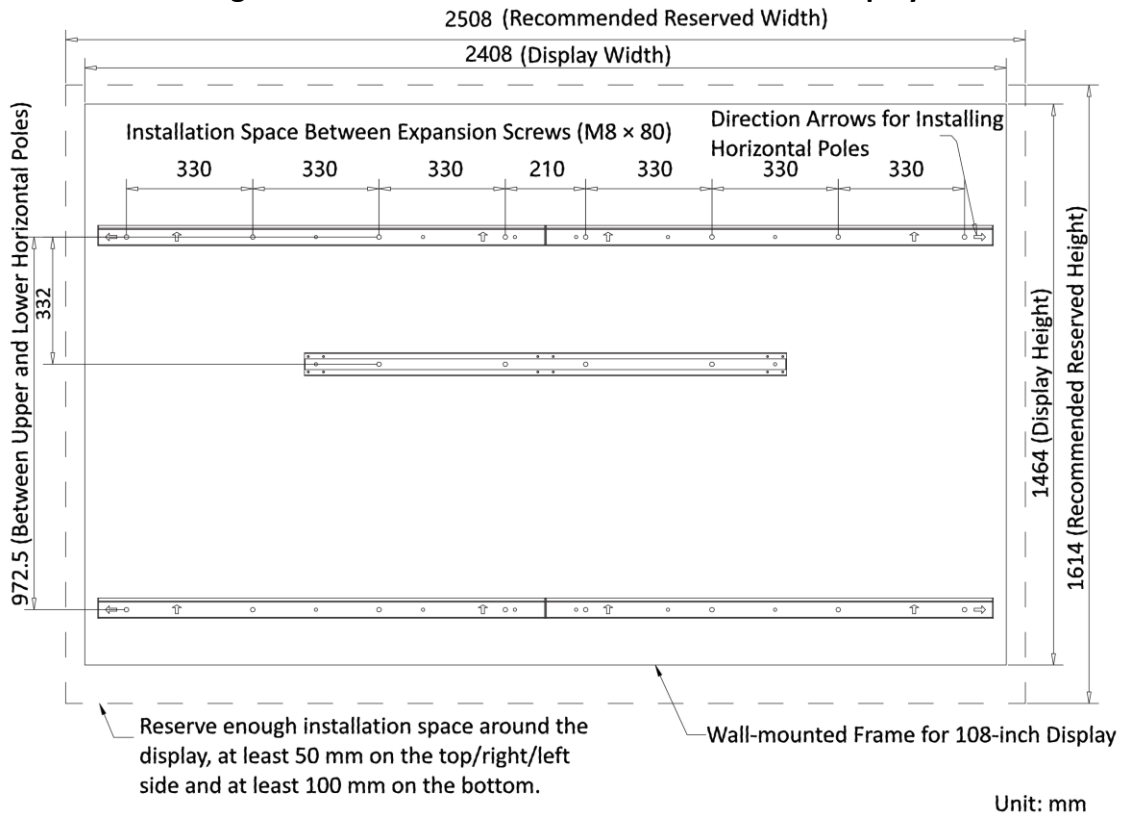


Figure 2-6 Wall-Mounted Bracket for 135-Inch Display

LED Multi-Media Display Installation Guide

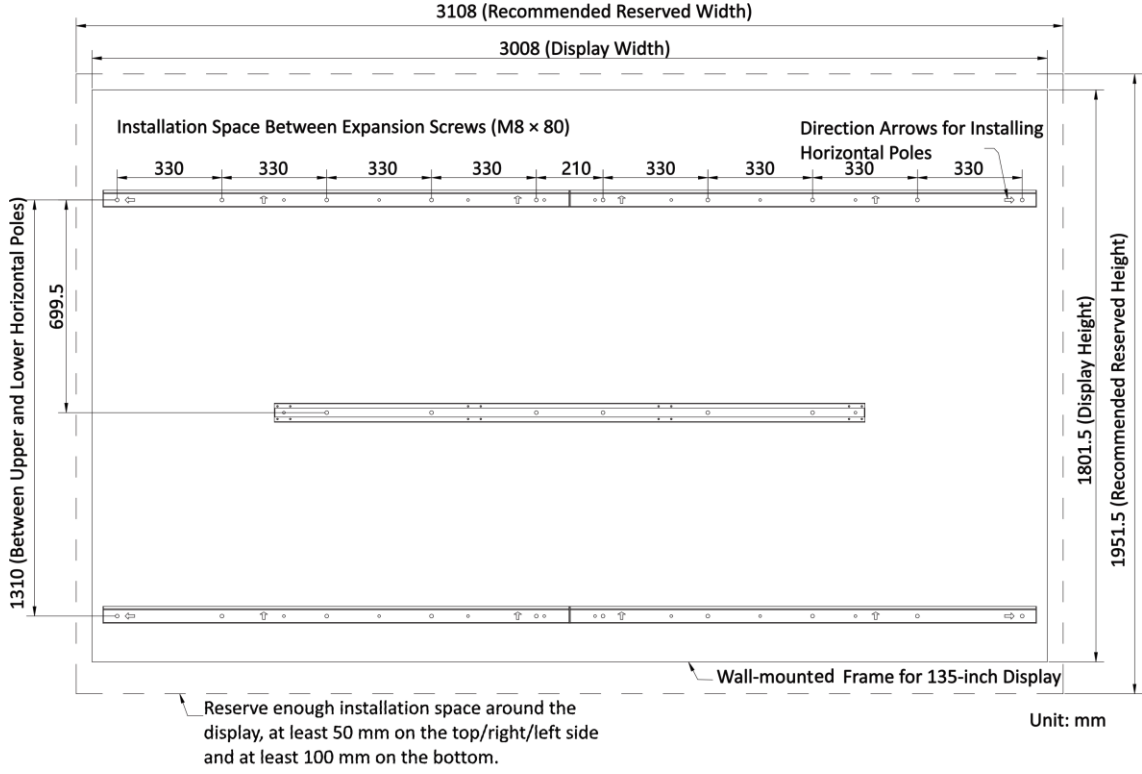


Figure 2-7 Wall-Mounted Bracket for 162-Inch Display

Chapter 3 Cabinet

3.1 About the Cabinet

A cabinet is a basic unit for LED engineering installation in which LED modules are neatly mounted on a metal sheet (cast aluminum) box, with a built-in independent receiving card and switching power supply, an engineering installation structure, and independent display.

 **Note**

The following descriptions use one of the models as an example. Details are subject to the model.

3.2 Precautions

Read the following precaution tips before you install the terminal:

- The installation order is different for mobile bracket and wall-mounted bracket. Please follow the installation guide.
- Install the LED screens after the decoration construction is completed. Avoid humid or high-pH environment to prevent damage to the LED lamps.
- Do not expose the device to rain or humid environment to reduce the risk of fire or electric shock.
- Electric discharge may last for a short period of time after the power is shut down. Please wait two minutes after the power is shut down to operate the device.
- Only use the original power cord delivered with the device. Contact authorized dealer to purchase power cord with same specifications.
- Please do not frequently plug or unplug the power cord when the power is on.

3.3 Install the Cabinets

3.3.1 Install Cabinet Columns and Hanging Boards

Stitch the cabinets, and install the hanging boards for hanging the cabinet columns to the bracket.

Before You Start

Ensure the cabinet structure is complete.

Steps

1. Use locating step screws (for locking cabinets) to stitch the cabinets vertically as cabinet columns.

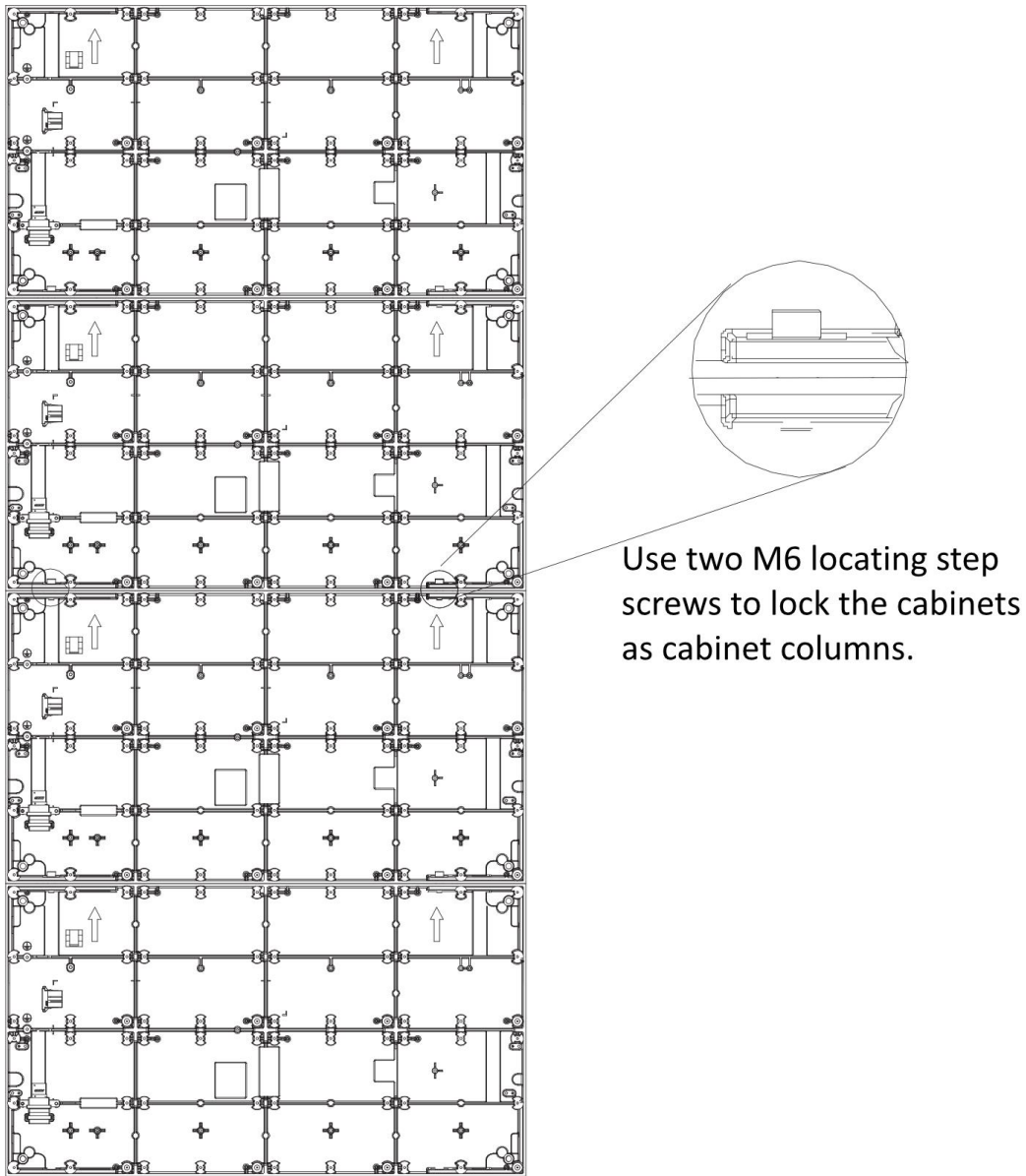


Figure 3-1 Stitch Cabinet Columns

Note

- Number of cabinets in each column is subject to the product model.
- 108-inch display and 135-inch display have been installed as columns before shipping. A 162-inch display is equipped with three cabinets for one column before shipping, and you need to stitch the cabinets vertically to make sure there are six cabinets per column

-
2. Install hanging boards on the cabinet columns.

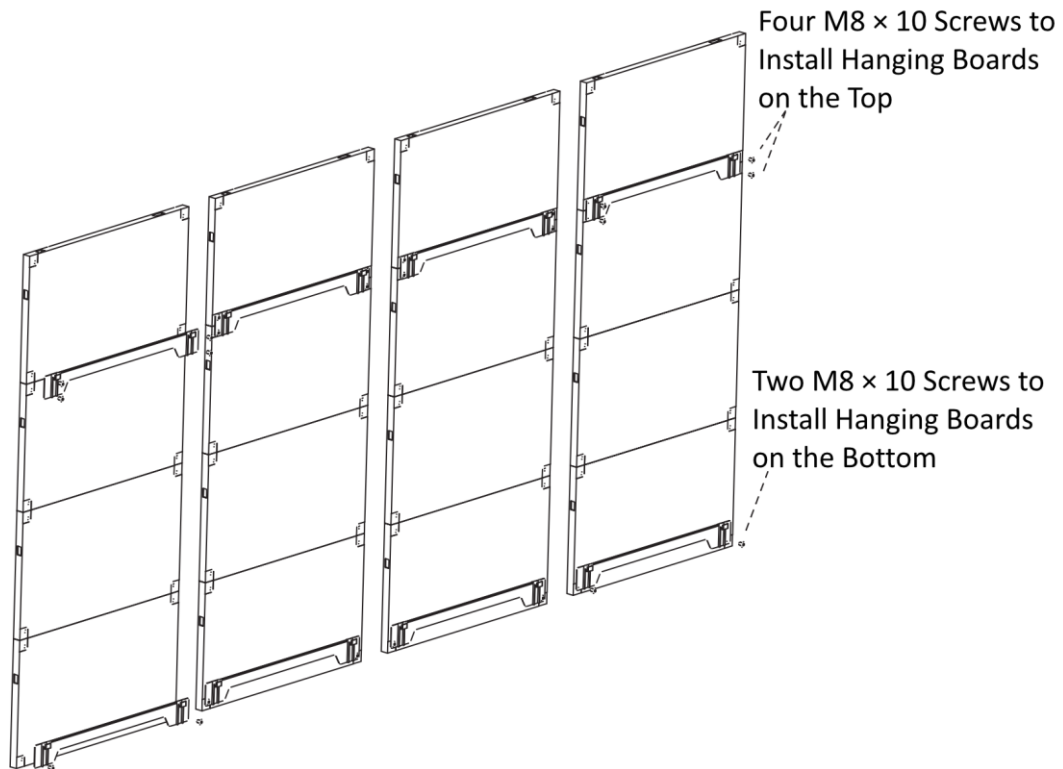


Figure 3-2 Install Hanging Boards

Note

- The figure above takes 108-inch cabinet for example.
 - Pay attention to the direction arrows.
 - The lower hanging boards shall be installed at the bottom of the cabinet column.
-

3. Repeat the above steps to install hanging boards on all cabinet columns.

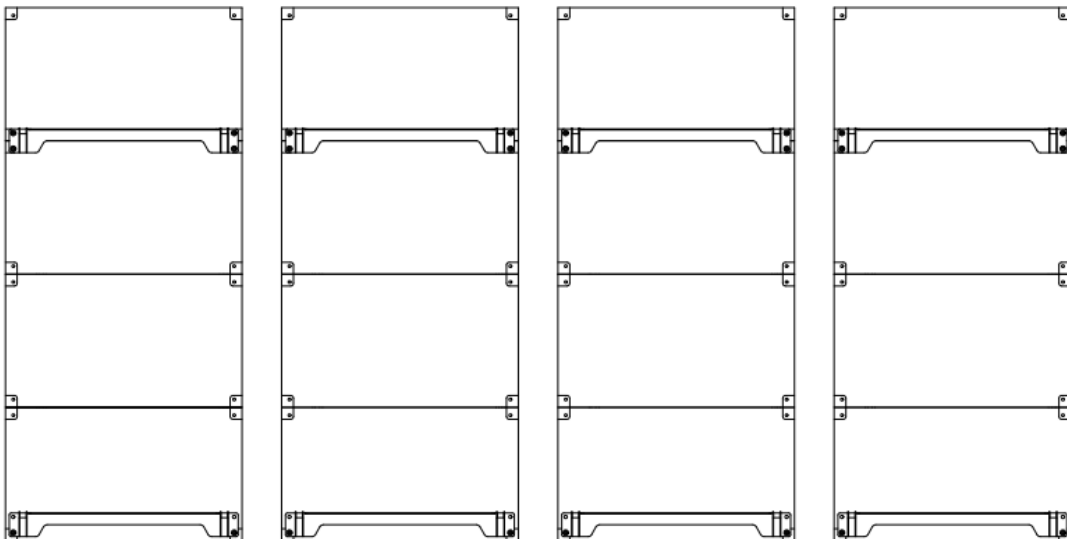


Figure 3-3 Stitched Cabinet Column

 **Note**

The figure above takes 108-inch cabinet for example.

3.3.2 Install Cabinet Columns onto Mobile Bracket

Hang cabinet columns with hanging boards onto the mobile bracket.

Before You Start

Ensure the cabinets have been installed as columns.

Steps

1. Install the cabinet columns in the middle. Hang the hanging boards of the cabinet columns on the horizontal poles of the mobile bracket from top to bottom.

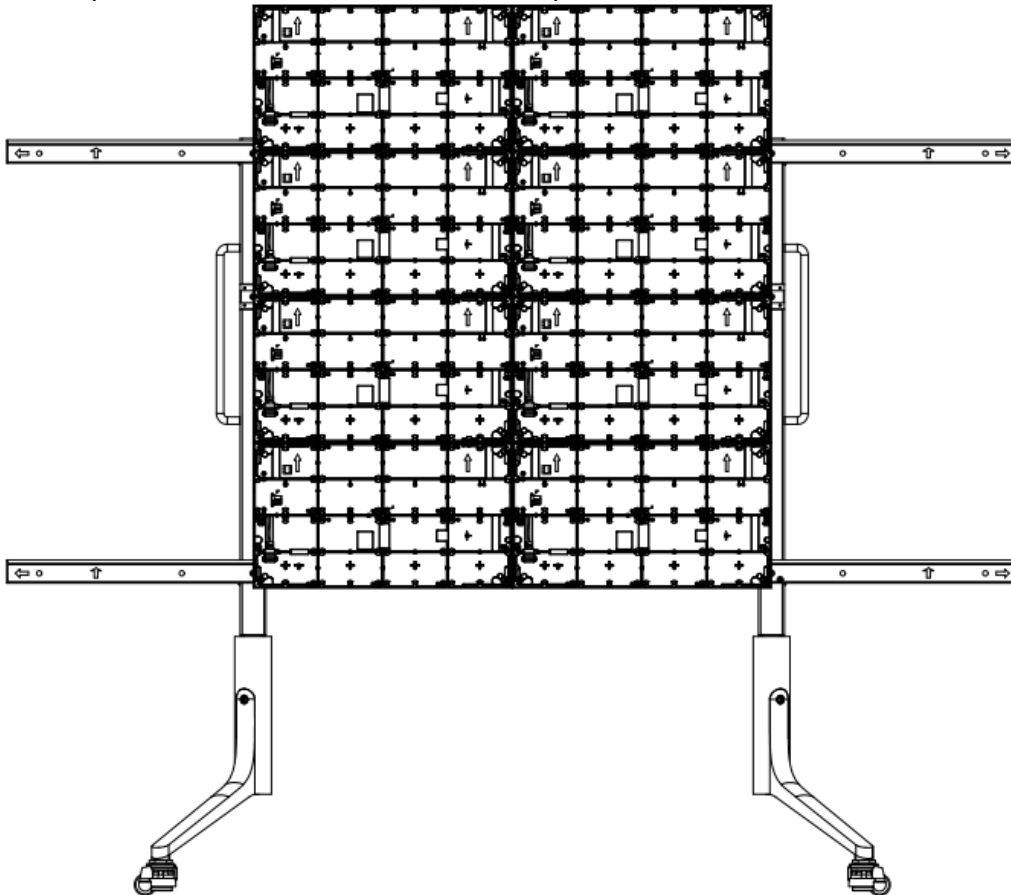


Figure 3-4 Hang Cabinet Columns

2. Adjust cabinet columns horizontally. Fasten M4 limit screws from the front side to fix the cabinet columns onto the horizontal pole in the middle, so that the cabinets will not move during the installation.

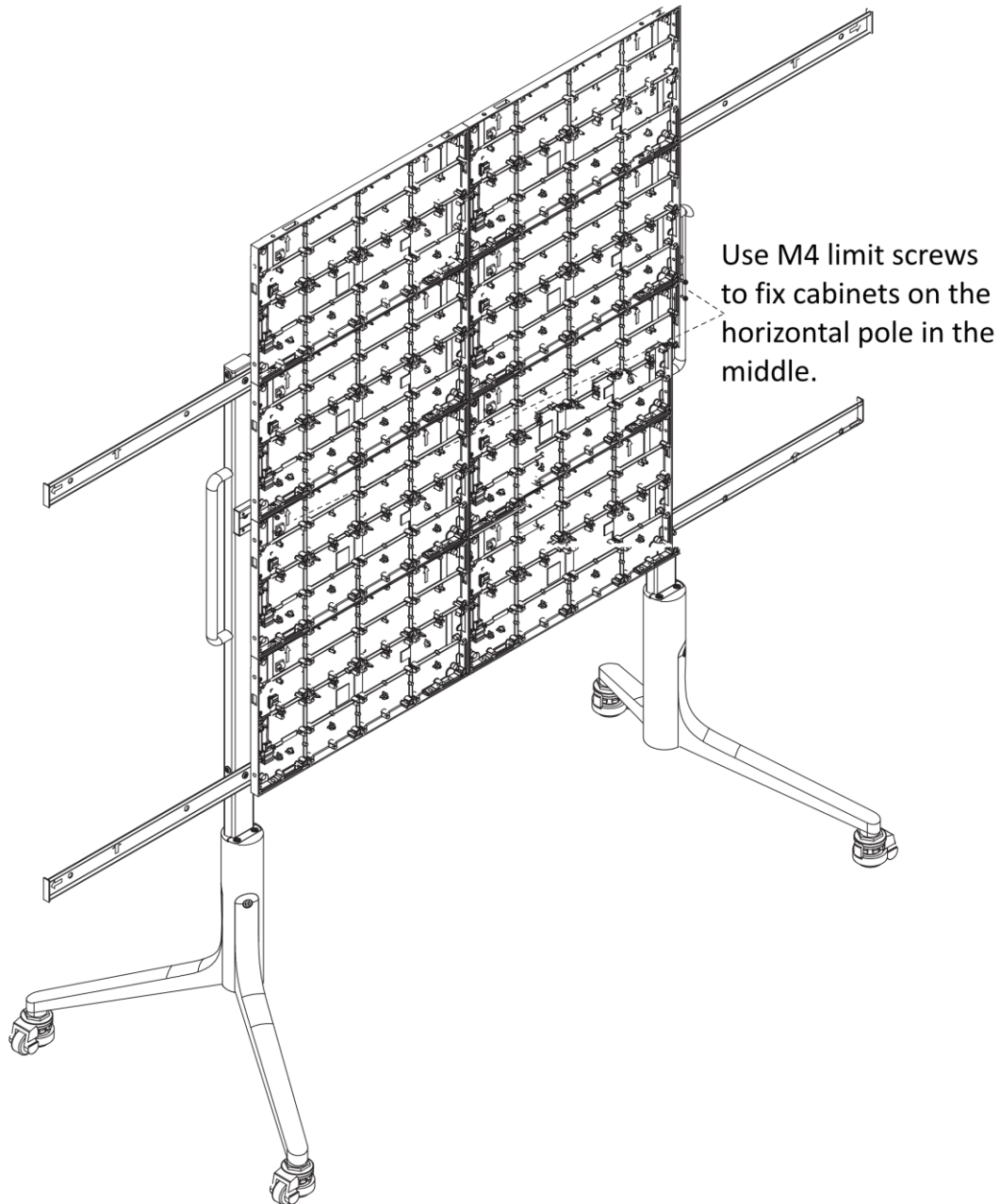


Figure 3-5 Fasten Limit Screws

Note

After the screws are fastened, loosen them for one and a half turns. When all cabinet columns are locked to each other, adjust the flatness and fasten the screws again.

3. Repeat the above steps to install other cabinet columns on the sides.
4. Use M6 locating step screws to lock the horizontally adjacent cabinets. Fix each two adjacent cabinets with two screws.

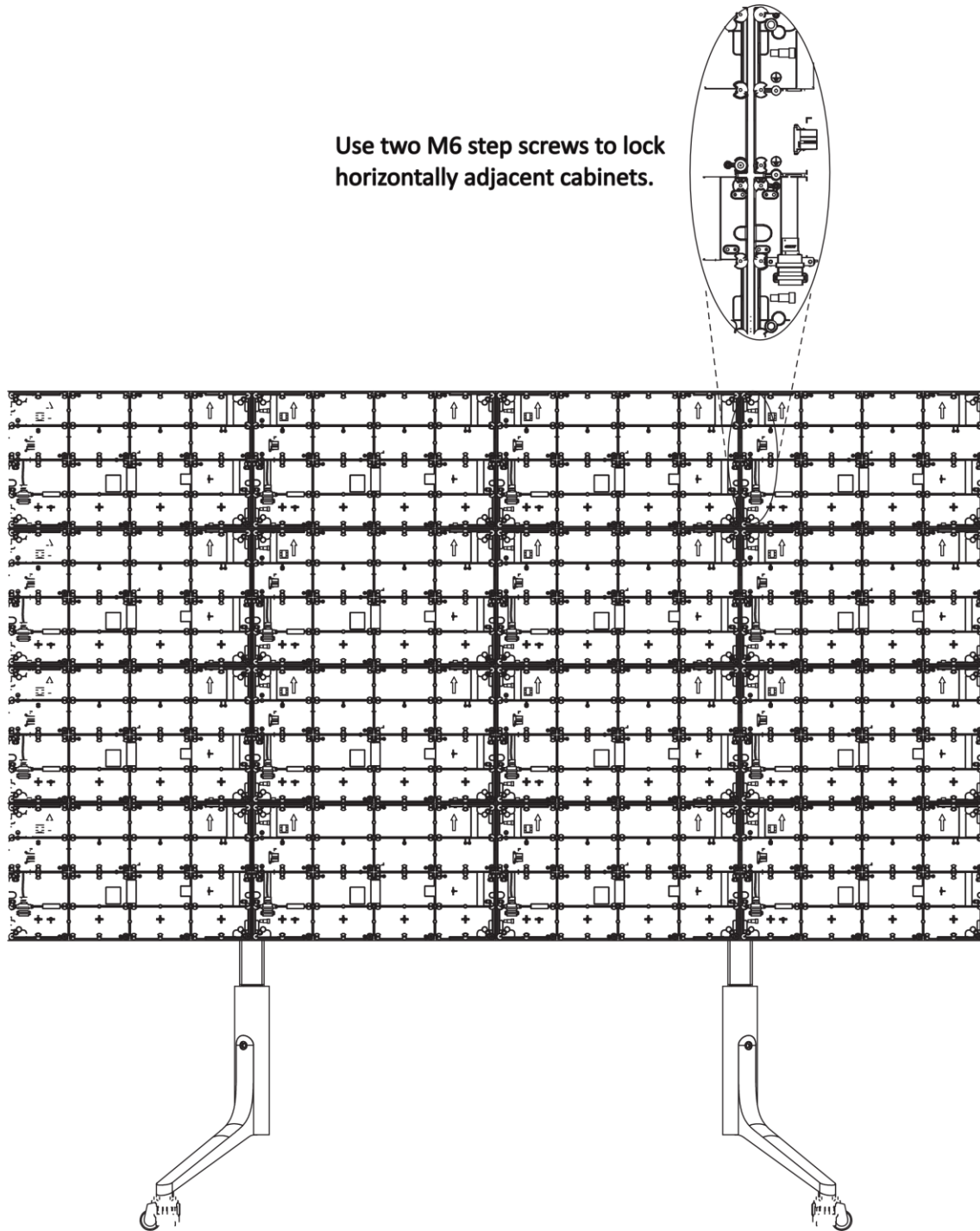


Figure 3-6 Lock Horizontally Adjacent Cabinets

5. Check the flatness between cabinet columns. If there is unevenness, loosen the screws between two cabinets, adjust the cabinets, and fasten the screws.

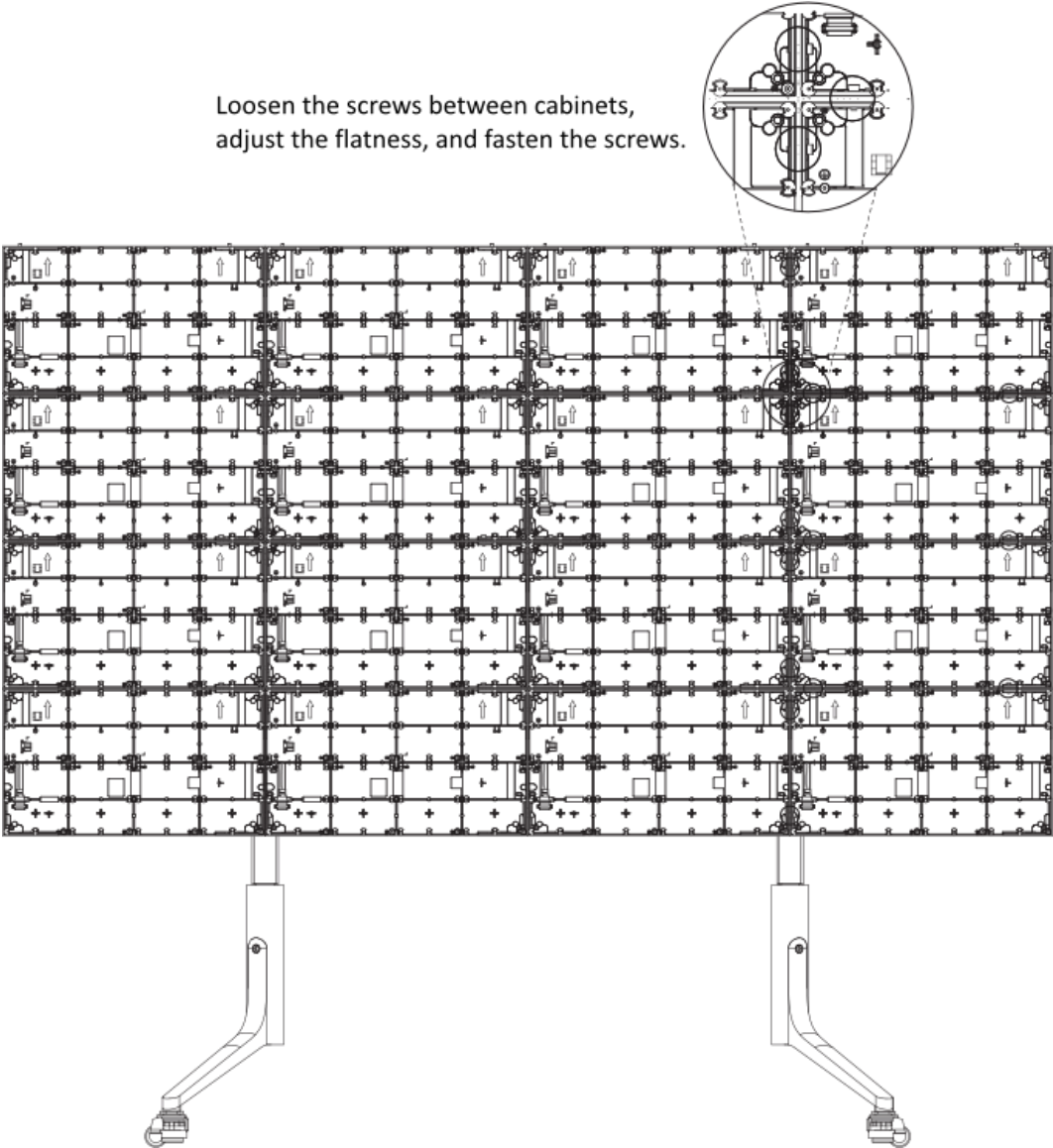


Figure 3-7 Adjust Flatness

3.3.3 Install Frames

After the cabinets are installed onto the bracket, install the frames around the display.

Before You Start

Ensure all cabinets are installed and locked.

Steps

1. Use customized screws to fix the frames on the top and sides. Each cabinet should be fixed to the frames with two screws on the top or sides.

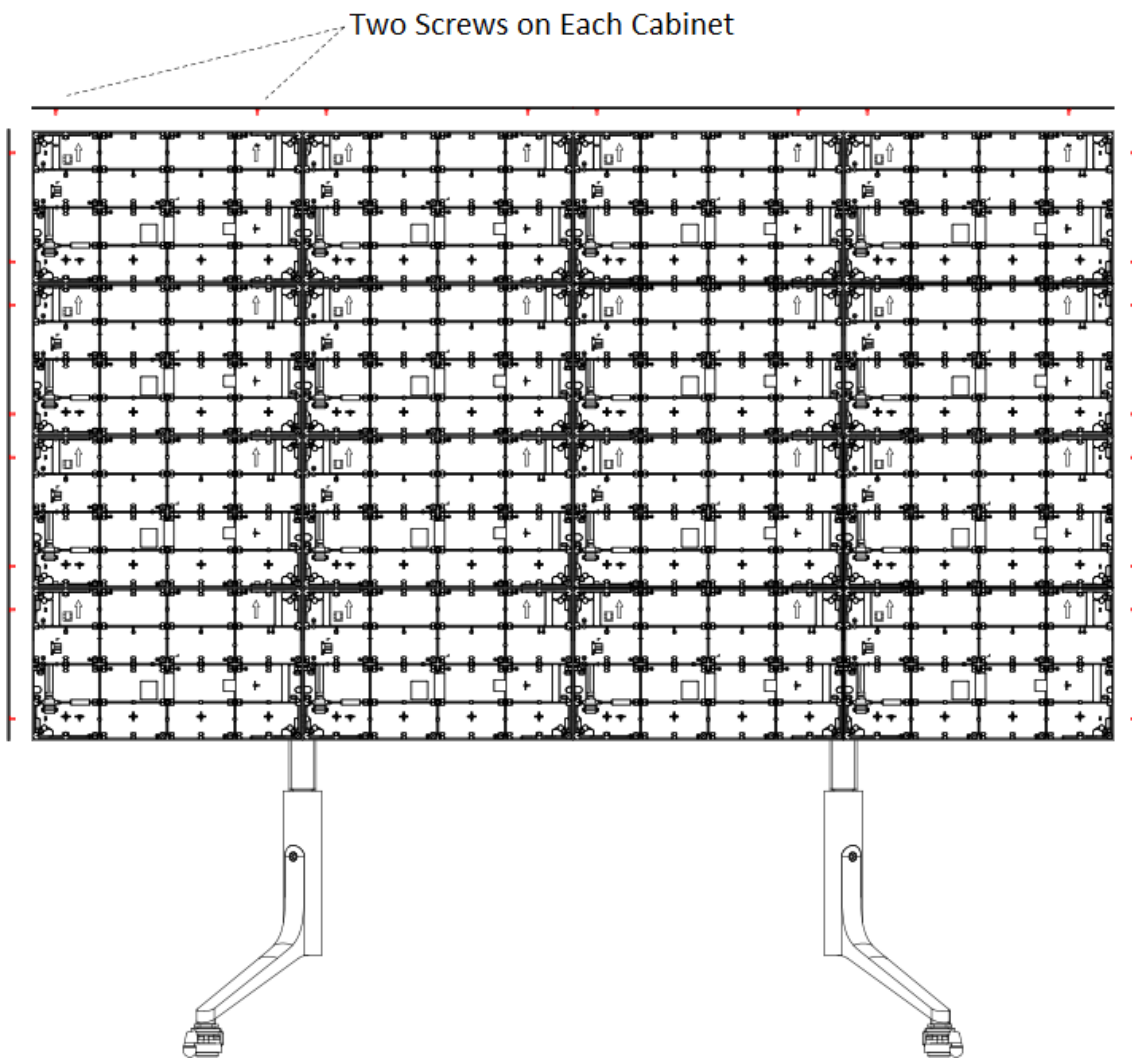


Figure 3-8 Fix Frames

2. Install M4 nuts inside the cabinets to lock the frames.

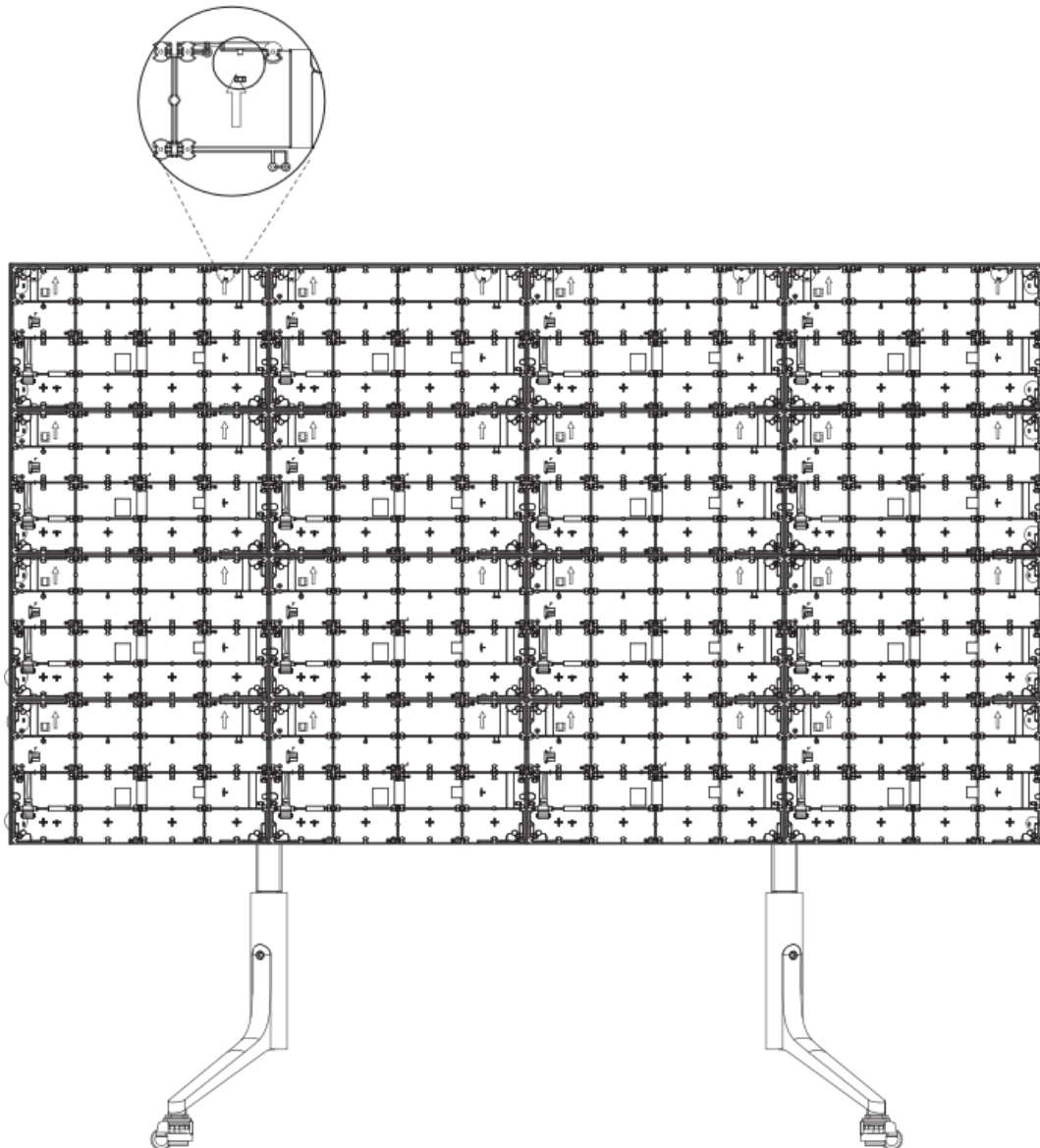


Figure 3-9 Lock Frames

3. Use KM3 × 6 screws to fix three clenching joints upon the mobile bracket feet. Stitch the two base frames. Each clenching joint is fixed with four screws.

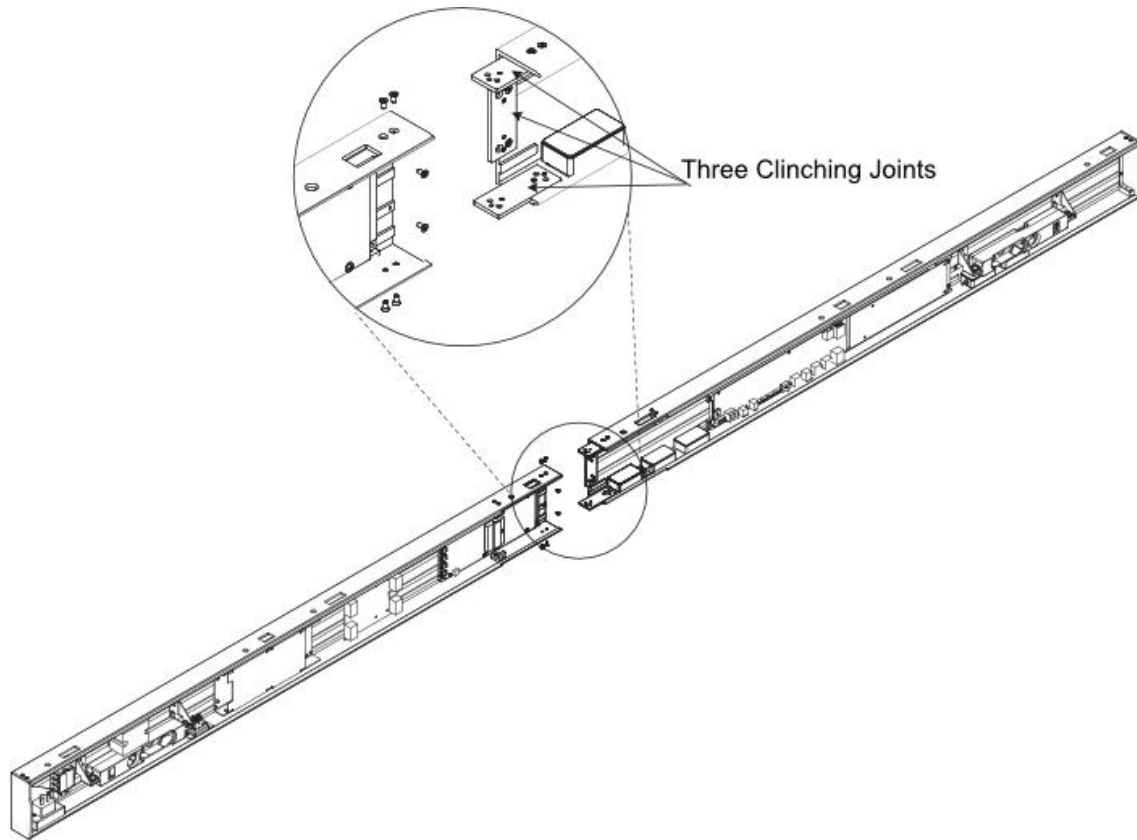


Figure 3-10 Stitch Base Frames

4. Use M6 locating step screws and M6 nuts to fix the base frames on the cabinets. Each cabinet should be fixed to the base frame with two screws on the bottom.

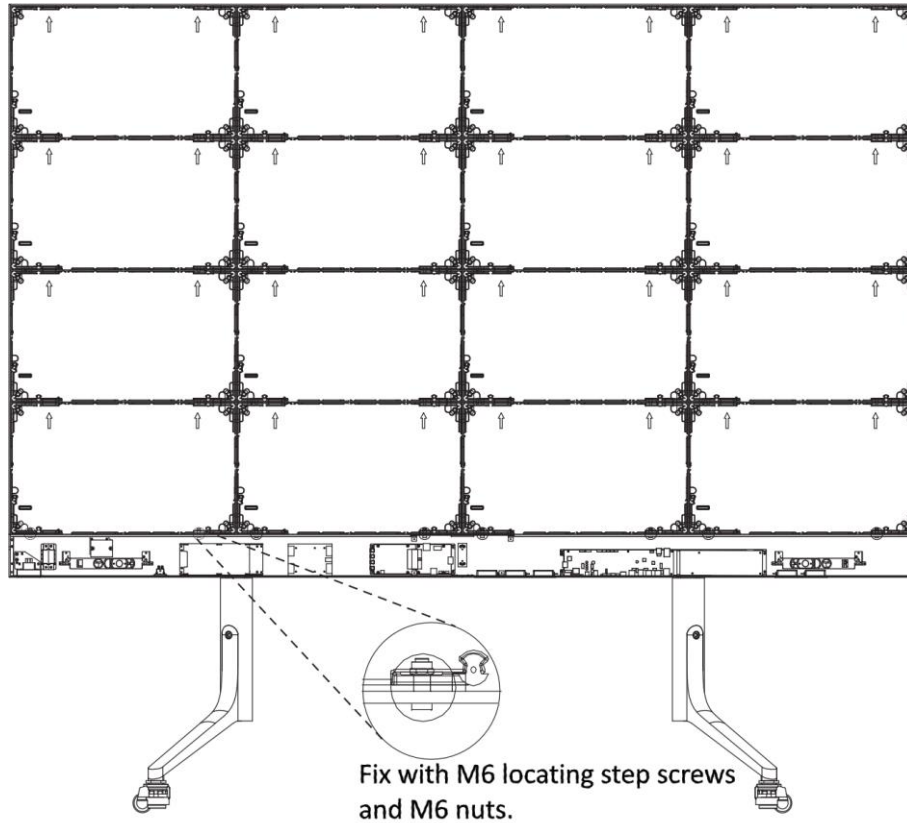


Figure 3-11 Fix Base Frames

3.4 Wiring

Wires include HDMI cables, power cords, Type-C cables, RJ45 signal cables, speaker cables, and relay cables.

3.4.1 Power Cords Between Cabinets

Note

Wires on the display are marked with numbers. Please refer to the numbers to connect the wires.

Connect power cord of each cabinet column from bottom to top in cascade.

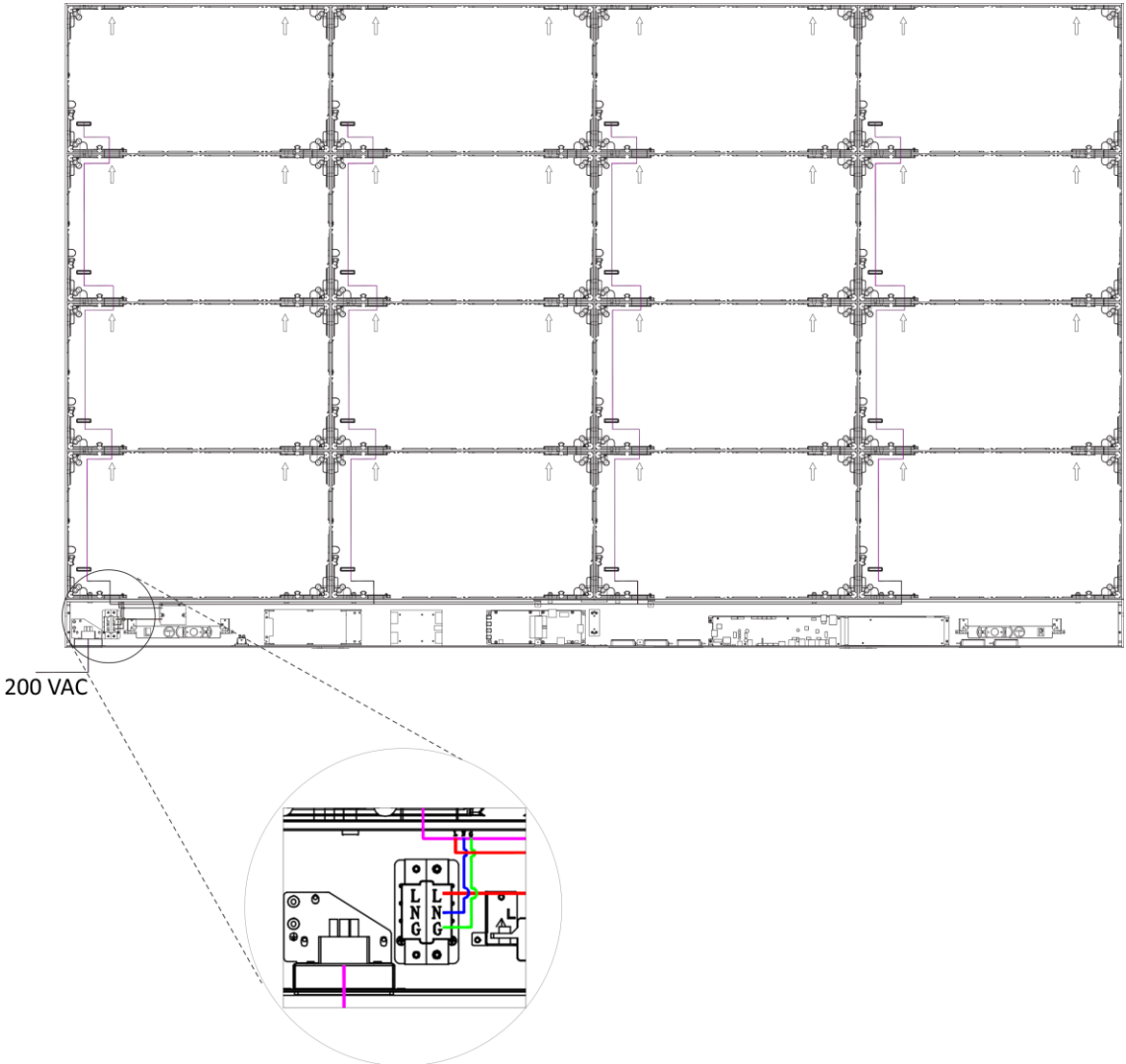


Figure 3-12 Connect Power Cords Between Cabinets

3.4.2 Network Cables Between Cabinets

Connect cabinets of the same column in cascade with one network cable, and connect the cables to the network interface panel on the lower frame.

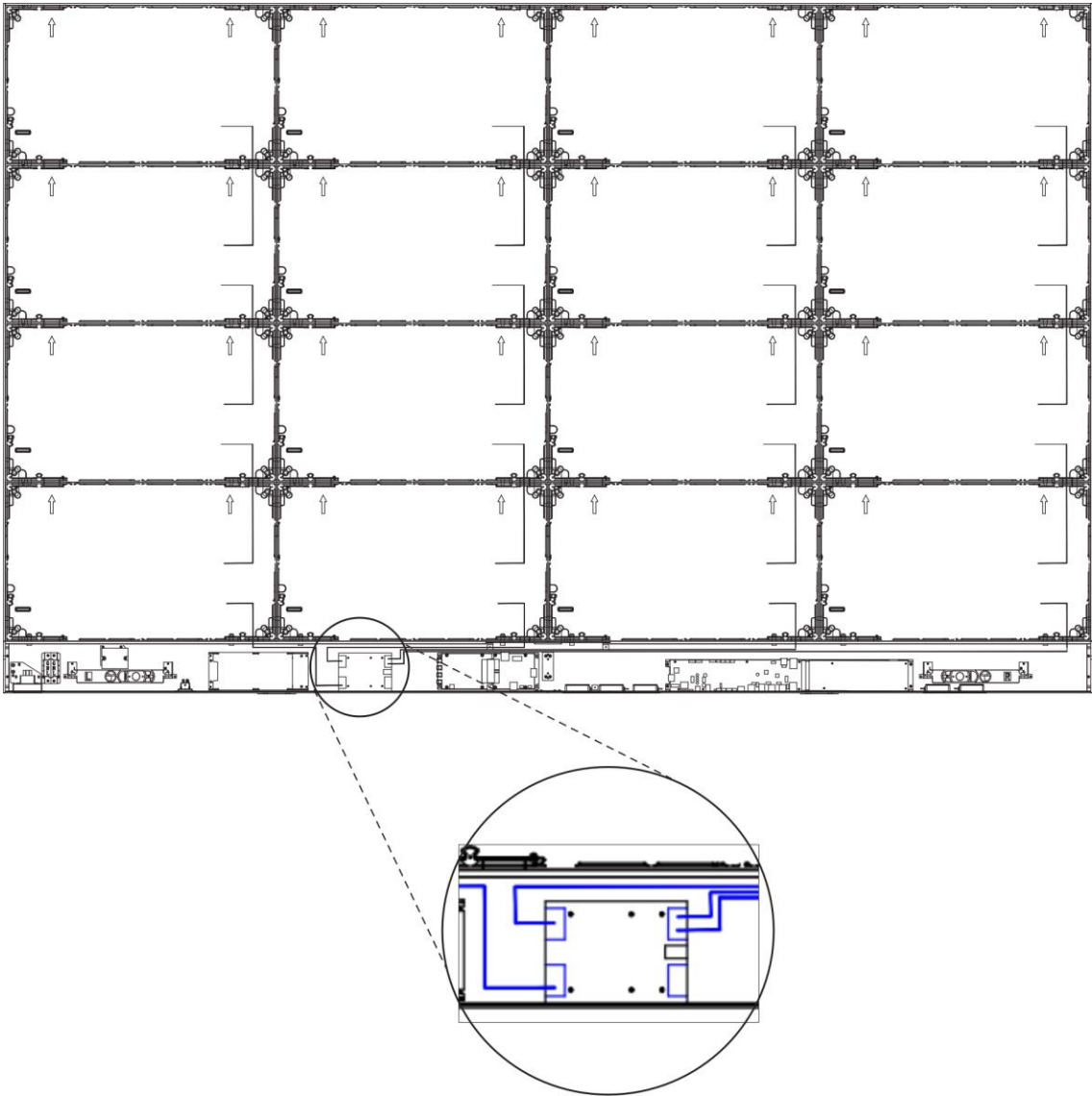
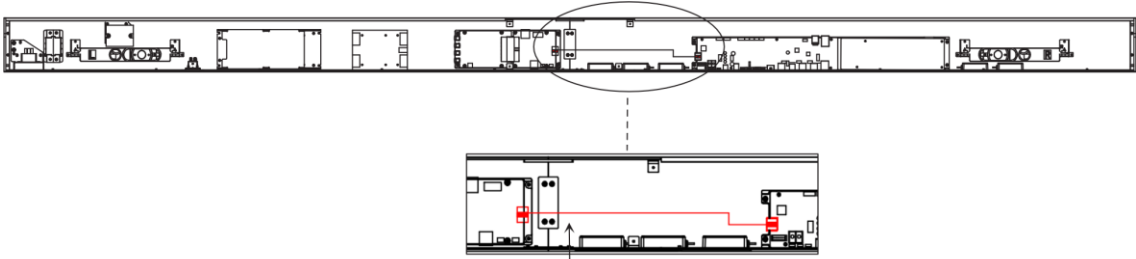


Figure 3-13 Connect Network Cables Between Cabinets

3.4.3 HDMI Cable



HDMI Cable

Figure 3-14 Connect HDMI Cables

3.4.4 Weak Power Cord

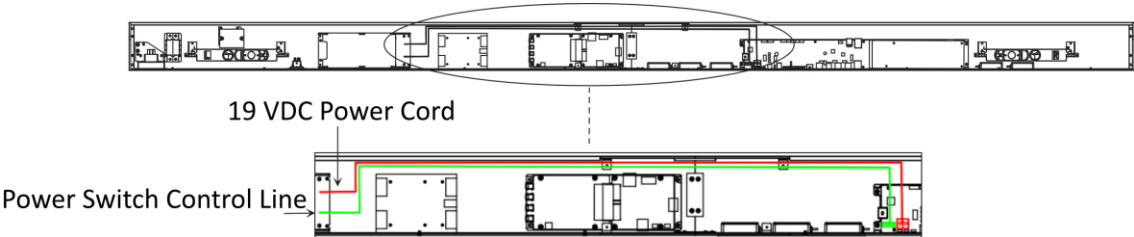


Figure 3-15 Connect Weak Power Cord

3.4.5 Power Switch Control Line

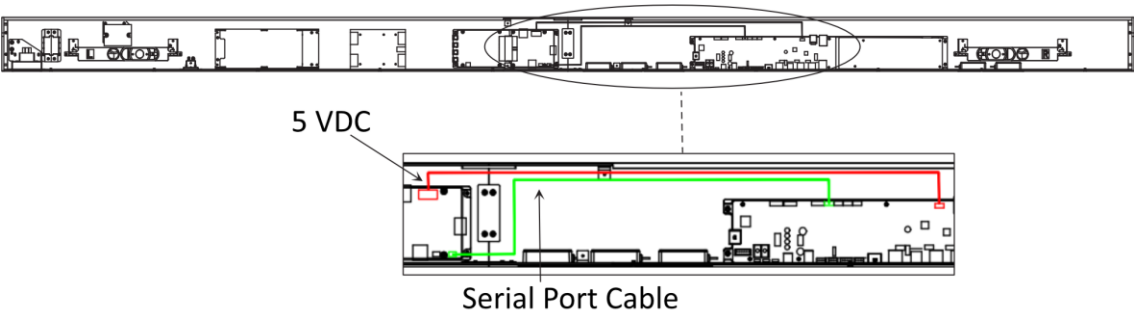


Figure 3-16 Connect Power Switch Control Line

3.4.6 Type-C Cable

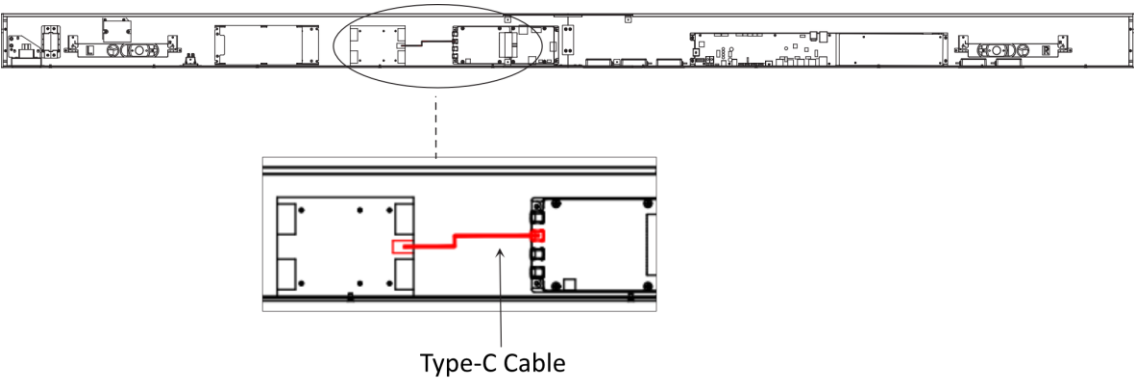


Figure 3-17 Connect Type-C Cables

3.4.7 RJ45 Signal Cable

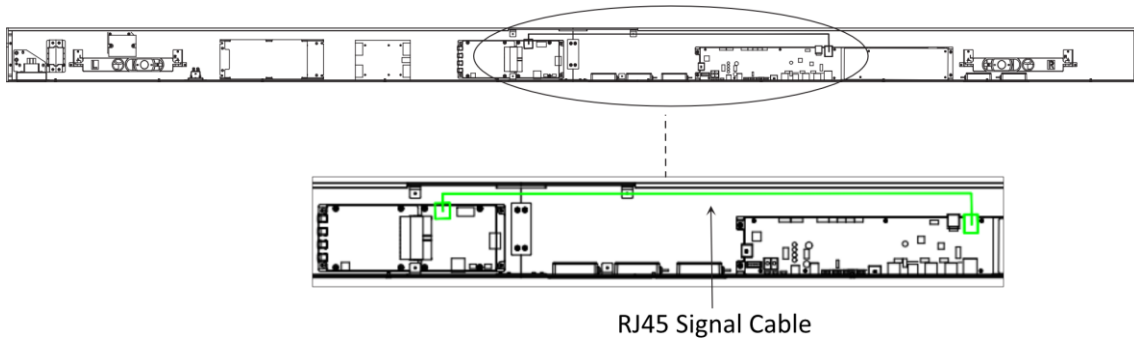


Figure 3-18 Connect RJ45 Signal Cables

3.4.8 Speaker Cable

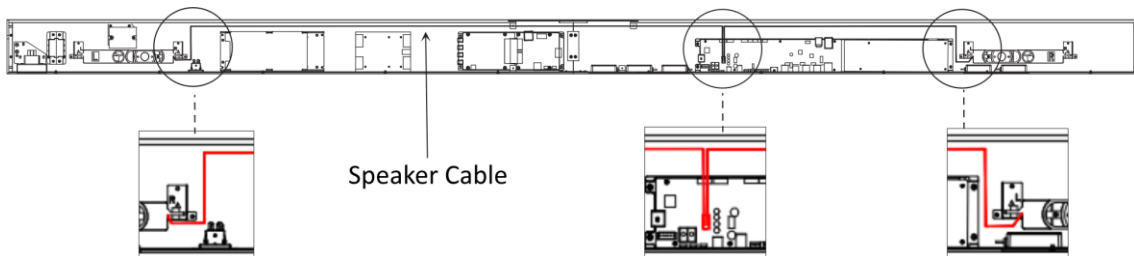


Figure 3-19 Connect Speaker Cables

3.4.9 Relay Cable

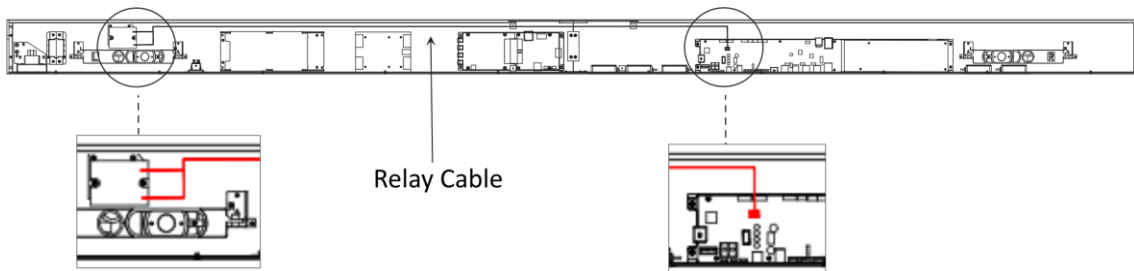


Figure 3-20 Connect Relay Cables

Note

After all cables are connected, use cable straps or tapes to organize and fix the cables inside the frames.

3.5 Install Bottom Cover Plate and Lamp Board

Steps

1. Connect button signal cables and infrared signal cables.

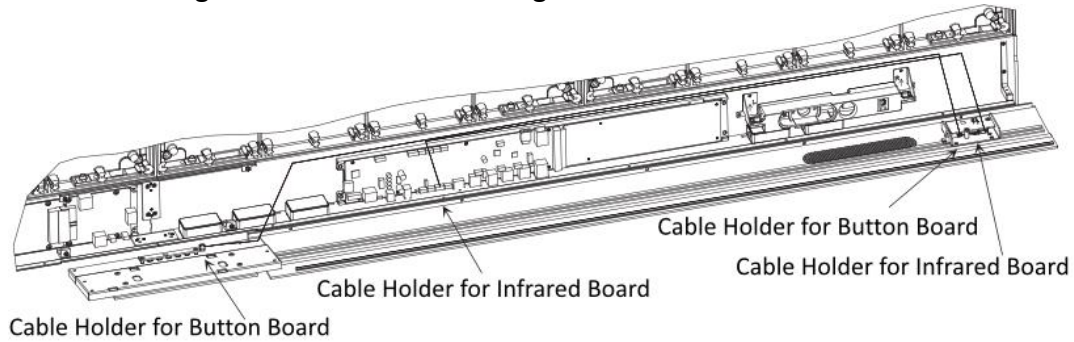


Figure 3-21 Connect Button Signal Cables and Infrared Signal Cables

2. After all internal cables are connected, use four M3 pan head screws to fix the logo panel.

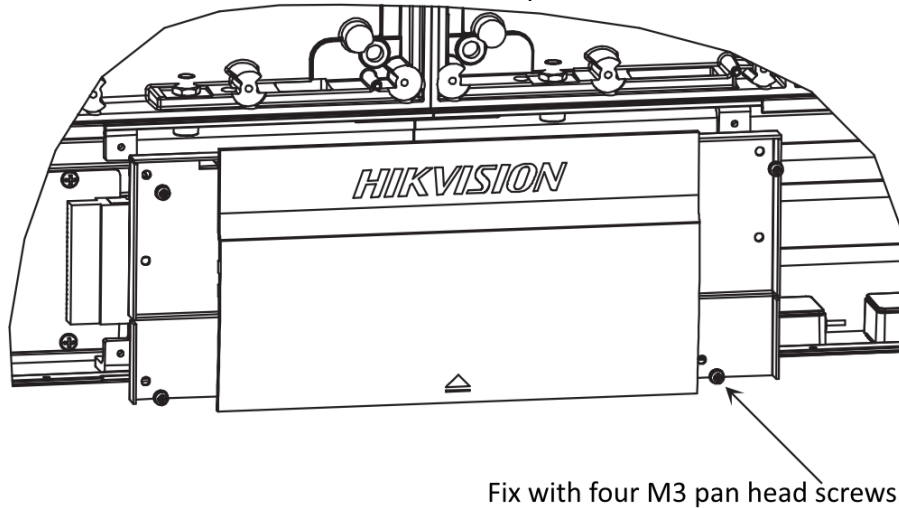
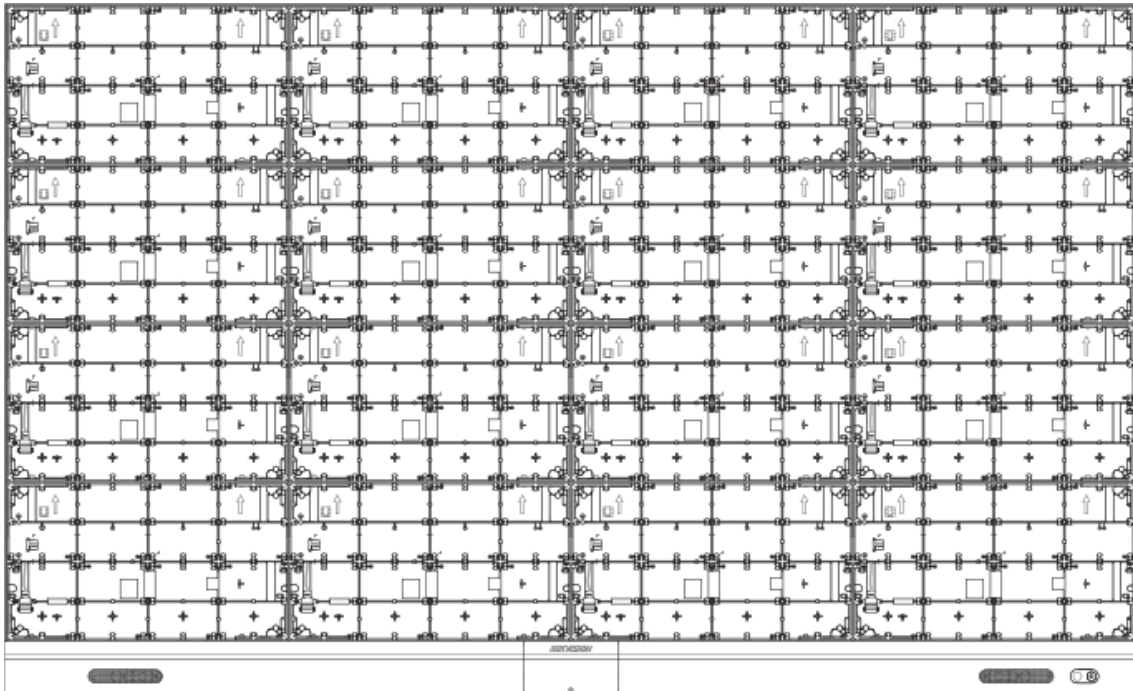


Figure 3-22 Fix Logo Panel

Note

Avoid pressing the internal cables when installing the logo panel.

3. Use KM3 × 6 countersunk screws to fix the front cover plates on the bottom.



Fix with KM3 × 6 countersunk screws.

Figure 3-23 Fix Front Cover Plates on the Bottom

Note

Ensure that the infrared cables have been connected before fixing the front cover plates.

4. Install the lamp boards onto the cabinets from middle to sides and from bottom to top.

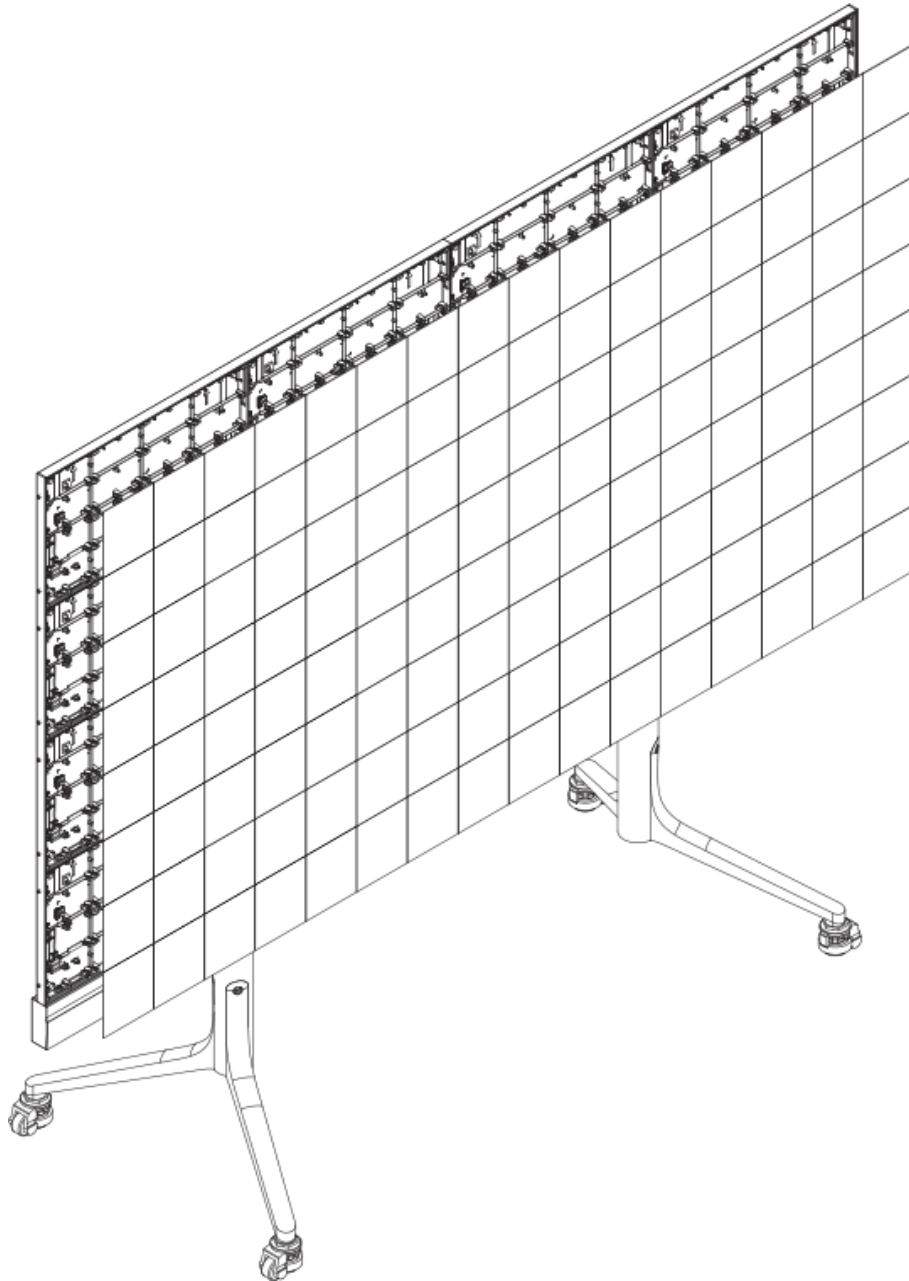


Figure 3-24 Install Lamp Boards

Chapter 4 Device Configuration

Please refer to the User Manual for device operation.



Figure 4-1 User Manual QR Code



See Far, Go Further