

AE-VC1B11-ISF

DSM Camera



- 6 specific abnormal detection
- 1/4" high-speed global shutter image sensor guaranteed excellent performance
- Built-in loudspeaker
- DC 9-36 V
- Support facial comparison to compare the authorized list of drivers (customizable)
- 940 nm supplement light, not causing disturbance for driving

Specifications

Camera	
Image Sensor	1/4" high-speed global shutter image sensor
Day & Night	Only support night mode
Angle Adjustment	Left and Right: -43°~43°; Front and Back: -43°~67°; Horizontal: 0°~360°
Lens	
Focal Length & FOV	6 mm: horizontal FOV 54°, vertical FOV 31°, diagonal FOV 62°
Lens Mount	M12
Illuminator	
IR Range	Up to 10 m
IR Wavelength	940 nm
Supplement Light Type	Infrared fill light (no red glow)
Video	
Max. Resolution	1280*720
Main Stream	60 Hz: 30 fps (1280 × 720)
Sub-Stream	60 Hz: 30 fps (704×576, 640×480, 352×288, 320×240)
Third Stream	60 Hz: 30 fps (1280 × 720)
Video Compression	Main Stream: H.264, H.265, H.264+, H.265+ Sub-Stream: H.264, H.265, MJPEG Third Stream: H.264, H.265
Video Bit Rate	Main Stream: 256 kbps-8192 kbps Sub-Stream: 256 kbps-4096 kbps Third Stream: 256 kbps-4096 kbps
H.264 Type	Baseline Profile / Main Profile / High Profile
H.265 Type	Main Profile
Bit Rate Control	Constant Bit Rate, Variable Bit Rate
Audio	
Audio Compression	G711U, G711A, G726, AAC, G722, PCM
Audio Bit Rate	64 Kbps(G.711U)/64 Kbps(G.711A)/16 Kbps(G.726)/16 Kbps(AAC)
Network	
Protocols	TCP/IP, ICMP, HTTP, HTTPS, DHCP, DNS, RTP, RTSP, RTCP, NTP
Simultaneous Live View	Up to 8 channels
API	HIK SDK, ONVIF (PROFILE S/G/T), ISAPI
User/Host	Up to 16 users, 3 levels: Administrator, Operator and User
Web Browser	IE8+, Chrome45+, Edge41+, Firefox45+
Image	
Day/Night Switch	Night only
Interface	
Ethernet Interface	-RJ45, RJ45+DC Cable -M12, M12 Aviation Plug + Molex Cable
On-Board Storage	MicroSD
Audio	Audio Input: Built-in Mic Audio Output: Built-in Speaker
Event	
Smart Event	Distraction Prompt Detection, Fatigue Driving (Closing Eyes), IR Interrupting Sunglasses Detection, Tampering Detection, Seatbelt Unbuckled Detection, Fatigue Driving (Yawn) Detection, Driver Exception Detection, Tampering Detection
General	
Camera Material	Metal
Camera Dimension	Camera: 91.5× 91.5 × 107.9 mm (3.6" × 3.6" × 4.25")
Camera Weight	Approx. 405 g (0.893 lbs.)
Startup and Operating Conditions	-30°C to 75°C (-22°F to 167°F), humidity less than 90% or less (non-condensing)
Power Consumption and Current	DC: 0.19-0.78 A, 7 W MAX

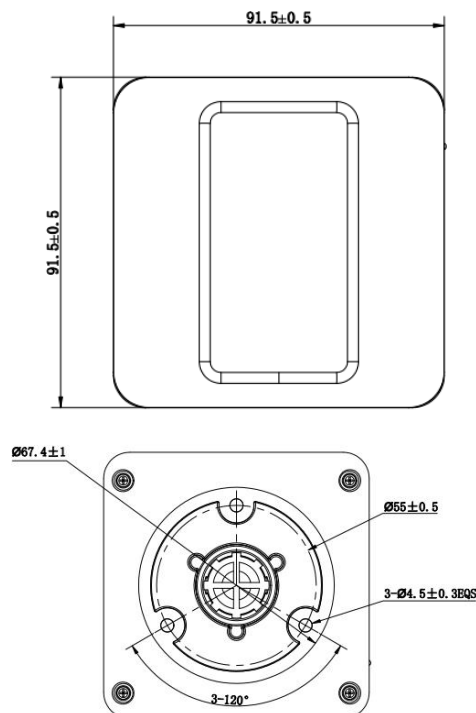
Power Supply	DC 9-36 V
Cable Length	50 cm
Selection Parameter	
Min. Illumination	0.00 Lux@(F1.2, AGC ON)
Local Storage	Up to 256G (optional)
Lens Type	Fixed Lens
Approval	
EMC	FCC (47 CFR Part 15, Subpart B); CE-EMC (EN 55032: 2015, EN 61000-3-2: 2014, EN 61000-3-3: 2013, EN 50130-4: 2011 +A1: 2014);
Safety	CE-LVD (EN 60950-1:2005 + Am 1:2009 + Am 2:2013);
Environment	CE-RoHS (2011/65/EU);
Automotive and Railway	EN50155-2017(EN 50155:2017, EN 50121-3-2:2016, IEC 60068-2-1:2007, IEC 60068-2- 2:2007, IEC 60068-2-30:2005, IEC 61373:2010); EN45545 (EN 45545-2:2013+A1:2015);

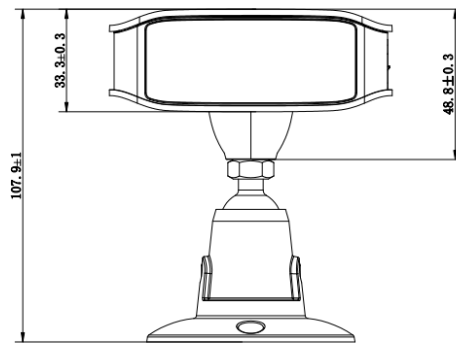
▪ **Available Model**

AE-VC1B1I-ISF(RJ45)(6mm)(O-STD)

AE-VC1B1I-ISF(M12)(6mm)(O-STD)

▪ **Dimension**





unit: mm

Interface Definition

Model	Interface Type	Interface Form	Interface Definition	Interface Illustration
AE-VC1B1I-ISF	RJ45	RJ45/F	1.IPC_TX+ 2.IPC_TX- 3.IPC_RX+ 4.IDLE4 5.IDLE5 6.IPC_RX- 7.IDLE7 8.IDLE8	
		DC/F	Core: IPC_POWER Shell: IPC_GND	
	M12	M12D4F	1.IPC_TX+ 2.IPC_RX+ 3.IPC_TX- 4.IPC_RX-	
		MOLEX-2M	1.IPC_POWER 2.IPC_GND	

Headquarters

No.555 Qianmo Road, Binjiang District,
Hangzhou 310051, China
T +86-571-8807-5998
www.hikvision.com



Follow us on social media to get the latest product and solution information.

