

DS-2TD2667-15/PI

Thermal and Optical Bi-spectrum Network Bullet Camera



Hikvision DS-2TD2667-15/PI Thermal & Optical Bi-spectrum Network Bullet Camera equipped with built-in GPU which supports perimeter protection analysis algorithm, can realize high-precision VCA detection and real-time alarm. It is applied for perimeter protection and fire-prevention in critical infrastructures such as community, villa, construction site, factory, 4S stores, and so on. The pre-alarm system helps you discover unexpected events immediately and protects your property.

- High sensitivity thermal module with 640 x 512 resolution
- NETD is less than 35 mk (@25° C, F#=1.0)
- Supports contrast adjustment
- Leading thermal image processing technology: Adaptive AGC, DDE, 3D DNR
- Up to 15 palettes of adjustable color
- Powerful perimeter protection functions, based on intelligent algorithm: Line crossing, intrusion, region entrance & exit
- Reliable temperature-anomaly alarm
- Advanced fire detection algorithm
- High quality optical module with 4 MP resolution
- Bi-spectrum image fusion, picture-in-picture preview

▪ Specification

| Thermal Module | |
|--------------------------|--|
| Image Sensor | Vanadium Oxide Uncooled Focal Plane Arrays |
| Resolution | 640 × 512 |
| Pixel Interval | 17 μm |
| Response Waveband | 8 μm to 14 μm |
| NETD | Less than 35 mK (@25 °C, F#=1.0) |
| Focal Length | 15 mm |
| IFOV | 1.13 mrad |
| Field of View | 42.5° × 33.6° (H × V) |
| Aperture | F1.0 |
| Min. Focusing Distance | 2.5 m |
| Digital Zoom | ×2, ×4, ×8 |
| Optical Module | |
| Image Sensor | 1/2.7" Progressive Scan CMOS |
| Resolution | 2688 × 1520, 4 MP |
| Min. Illumination | Color: 0.0089 Lux @(F1.6, AGC ON), B/W: 0.0018 Lux @(F1.6, AGC ON) |
| Shutter Speed | 1s to 1/100,000s |
| Focal Length | 4 mm |
| Field of View | 84° × 44.8° (H × V) |
| Aperture (Range) | F1.6 |
| WDR | 120 dB |
| Image Effect | |
| Bi-spectrum Image Fusion | Display the details of optical channel on thermal channel |
| Picture in Picture | Display partial image of thermal channel on the full screen of optical channel |
| Target Coloration | Yes. Supported in white hot and black hot mode. |
| Illuminator | |
| IR Distance | Up to 40 m |
| IR Intensity and Angle | Automatically adjusted |

| Smart Function | |
|-------------------------|---|
| VCA | 4 VCA rule types (line crossing, intrusion, region entrance, and region exiting), up to 8 VCA rules in total. |
| Temperature Measurement | 3 temperature measurement rule types, 21 rules in total (10 points, 10 areas, and 1 line). |
| Temperature Range | -20 °C to 150 °C (-4 °F to 302 °F) |
| Temperature Accuracy | ± 8 °C (±14.4 °F) |
| Fire Detection | Dynamic fire detection, up to 10 fire points detectable. |
| Video and Audio | |
| Main Stream | Thermal: 50 fps (1280 × 720, 704 × 576, 640 × 512, 352 × 288),Optical: 50 Hz: 25 fps (2688 × 1520, 1920 × 1080, 1280 × 720),Optical: 60Hz: 30 fps (2688 × 1520, 1920 × 1080, 1280 × 720) |
| Sub Stream | Thermal: 50 fps (704 × 576, 640 × 512, 352 × 288),Optical: 50 Hz: 25 fps (704 × 576, 352 × 288, 176 × 144),Optical: 60 Hz: 30 fps (704 × 480, 352 × 240, 176 × 120) |
| Video Compression | Main stream: H.265/ H.264 Sub-stream: H.265/H.264/MJPEG |
| Audio Compression | G .711u/G.711a/G.722.1/MP2L2/G.726/PCM |
| Network | |
| Protocols | IPv4/IPv6, HTTP, HTTPS, 802.1x, Qos, FTP, SMTP, UPnP, SNMP, DNS, DDNS, NTP, RTSP, RTCP, RTP, TCP, UDP, IGMP, ICMP, DHCP, PPPoE |
| Network Storage | microSD/SDHC/SDXC card (up to 256 G) local storage, and NAS (NFS, SMB/CIFS), auto network replenishment (ANR) |
| API | ISAPI, HIKVISION SDK, and third-party management platform, ONVIF (Profile S, Profile G, Profile T) |
| Simultaneous Live View | Up to 20 channels |
| User/Host level | Up to 32 users. 3 levels: administrator, operator, user |
| Security | User authentication (ID and PW), MAC address binding, HTTPS encryption, IEEE 802.1x(EAP-MD5, EAP-TLS), access control, IP address filtering |
| Client | iVMS-4200, Hik-Connect |

| | |
|---------------------------|---|
| Web Browser | <p>Live view (plug-in allowed) : Internet Explorer 11</p> <p>Live view (plug-in free) : Chrome 57.0 +, Firefox 52.0 +</p> <p>Local service : Chrome 57.0+, Firefox 52.0 +</p> |
| Interface | |
| Alarm Input | 1-ch inputs (0-5 VDC) |
| Alarm Output | 1-ch relay outputs, alarm response actions configurable |
| Alarm Action | SD recording/Relay output/Smart capture/FTP upload/Email linkage |
| Audio Input | 1, 3.5 mm Mic in/Line in interface. Line input: 2 - 2.4 V [p-p], output impedance: 1 K Ω \pm 10% |
| Audio Output | Linear Level; Impedance: 600 Ω |
| Communication Interface | <p>1, RJ45 10 M/100 M Self-adaptive Ethernet interface.</p> <p>1, RS-485 interface</p> |
| General | |
| Web Client Language | <p>32 languages</p> <p>English, Russian, Estonian, Bulgarian, Hungarian, Greek, German, Italian, Czech, Slovak, French, Polish, Dutch, Portuguese, Spanish, Romanian, Danish, Swedish, Norwegian, Finnish, Croatian, Slovenian, Serbian, Turkish, Korean, Traditional Chinese, Thai, Vietnamese, Japanese, Latvian, Lithuanian, Portuguese (Brazil)</p> |
| Power | PoE (802.3af, class 3): 44 V to 57 V, 0.22 A to 0.17 A |
| Power Consumption | <p>18 VAC to 30 VAC: 0.38 A to 0.22 A, max. 9 W</p> <p>9 VDC to 15 VDC: 0.63 A to 1.06 A, max. 9 W</p> <p>PoE (802.3af, class 3): 44 V to 57 V, 0.22 A to 0.17 A, max. 9.5 W</p> |
| Work Temperature/Humidity | From -40°C to 65°C (-40°F to 149°F); Humidity: 95% or Less |
| Protection Level | <p>IP67 Standard</p> <p>TVS 6000 V lightning protection, surge protection, voltage transient protection</p> |
| Dimension | 376.1 mm \times 119.1 mm \times 118.1 mm (14.81" \times 4.68" \times 4.65") |
| Weight | Approx. 1.82 kg (4.01 lb) |

▪ Range Table

| VCA Range (Vehicles: 1.4 × 4.0 m) | VCA Range (Humans: 1.8 × 0.5 m) | Temperature Measurement (Object: 2 × 2 m) | Temperature Measurement (Object: 1 × 1 m) | Fire Detection (Object: 2 × 2 m) | Fire Detection (Object: 1 × 1 m) |
|---|---------------------------------------|--|--|--|--|
| 309 m | 110 m | 351 m | 177 m | 882 m | 441 m |

▪ DORI

* The table is only for reference and the performance may vary from camera to camera.

Detection Range: In order to distinguish an object from the background, the image must be covered by 1.5 or more pixels.

Recognition Range: In order to classify the object (animal, human, vehicle, etc.), the image must have at least 6 pixels across its critical dimension.

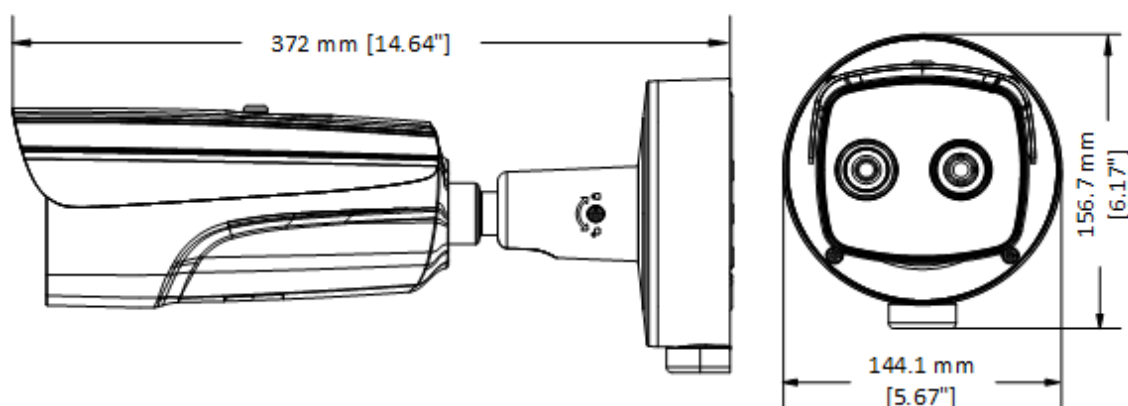
Identification Range: In order to identify the object and describe it in details, the critical dimension must have be least 12 pixels across.

| Detection Range (Vehicles: 1.4 × 4.0 m) | Detection Range (Humans: 1.8 × 0.5 m) | Recognition Range (Vehicles: 1.4 × 4.0 m) | Recognition Range (Humans: 1.8 × 0.5 m) | Identification Range (Vehicles: 1.4 × 4.0 m) | Identification Range (Humans: 1.8 × 0.5 m) |
|--|--|--|--|---|---|
| 1353 m | 441 m | 338 m | 110 m | 169 m | 55 m |

▪ Available Model

DS-2TD2667-15/PI





▪ Dimension



Unit:mm[Inch]

▪ **Accessory**

▪ **Optional**

| DS-1476ZJ-SUS Corner Mount | DS-2251ZJ Pendant Mount | DS-1275ZJ-S-SUS Vertical Pole Mount | DS-1475ZJ-SUS Vertical Pole Mount |
|---|---|---|---|
|  |  |  |  |

COMPLIANCE NOTICE: The thermal series products might be subject to export controls in various countries or regions, including without limitation, the United States, European Union, United Kingdom and/or other member countries of the Wassenaar Arrangement. Please consult your professional legal or compliance expert or local government authorities for any necessary export license requirements if you intend to transfer, export, re-export the thermal series products between different countries.

Headquarters

No.555 Qianmo Road, Binjiang District,
Hangzhou 310051, China
T +86-571-8807-5998
www.hikvision.com



Follow us on social media to get the latest product and solution information.

