

HIKVISION



Two-Wire Video Intercom Bundle

Quick Start Guide

0100001080117

©2018 Hangzhou Hikvision Digital Technology Co., Ltd.

About this Manual

This Manual is subject to domestic and international copyright protection. Hangzhou Hikvision Digital Technology Co., Ltd. (“Hikvision”) reserves all rights to this manual. This manual cannot be reproduced, changed, translated, or distributed, partially or wholly, by any means, without the prior written permission of Hikvision.

Please use this user manual under the guidance of professionals.

Trademarks

HIKVISION and other Hikvision marks are the property of Hikvision and are registered trademarks or the subject of applications for the same by Hikvision and/or its affiliates. Other trademarks mentioned in this manual are the properties of their respective owners. No right of license is given to use such trademarks without express permission.

Disclaimer

TO THE MAXIMUM EXTENT PERMITTED BY APPLICABLE LAW, HIKVISION MAKES NO WARRANTIES, EXPRESS OR IMPLIED, INCLUDING WITHOUT LIMITATION THE IMPLIED WARRANTIES OF MERCHANTABILITY AND FITNESS FOR A PARTICULAR PURPOSE, REGARDING THIS MANUAL. HIKVISION DOES NOT WARRANT, GUARANTEE, OR MAKE ANY REPRESENTATIONS REGARDING THE USE OF THE MANUAL, OR THE CORRECTNESS, ACCURACY, OR RELIABILITY OF INFORMATION CONTAINED HEREIN. YOUR USE OF THIS MANUAL AND ANY RELIANCE ON THIS MANUAL SHALL BE WHOLLY AT YOUR OWN RISK AND RESPONSIBILITY.

TO THE MAXIMUM EXTENT PERMITTED BY APPLICABLE LAW, IN NO EVENT WILL HIKVISION, ITS DIRECTORS, OFFICERS, EMPLOYEES, OR AGENTS BE LIABLE TO YOU FOR ANY SPECIAL, CONSEQUENTIAL, INCIDENTAL, OR INDIRECT DAMAGES, INCLUDING, AMONG OTHERS, DAMAGES FOR LOSS OF BUSINESS PROFITS, BUSINESS INTERRUPTION, SECURITY BREACHES, OR LOSS OF DATA OR DOCUMENTATION, IN CONNECTION WITH THE USE OF OR RELIANCE ON THIS MANUAL, EVEN IF HIKVISION HAS BEEN ADVISED OF THE POSSIBILITY OF SUCH DAMAGES.

SOME JURISDICTIONS DO NOT ALLOW THE EXCLUSION OR LIMITATION OF LIABILITY OR CERTAIN DAMAGES, SO SOME OR ALL OF THE ABOVE EXCLUSIONS OR LIMITATIONS MAY NOT APPLY TO YOU.

Support

Should you have any questions, please do not hesitate to contact your local dealer.

Regulatory Information

FCC Information

Please take attention that changes or modification not expressly approved by the party responsible for compliance could void the user's authority to operate the equipment.

FCC compliance: This equipment has been tested and found to comply with the limits for a Class A digital device, pursuant to part 15 of the FCC Rules. These limits are designed to provide reasonable protection against harmful interference when the equipment is operated in a commercial environment. This equipment generates, uses, and can radiate radio frequency energy and, if not installed and used in accordance with the instruction manual, may cause harmful interference to radio communications. Operation of this equipment in a residential area is likely to cause harmful interference in which case the user will be required to correct the interference at his own expense.

FCC Conditions

This device complies with part 15 of the FCC Rules. Operation is subject to the following two conditions:

1. This device may not cause harmful interference.
2. This device must accept any interference received, including interference that may cause undesired operation.

EU Conformity Statement



This product and - if applicable - the supplied accessories too are marked with "CE" and comply therefore with the applicable harmonized European standards listed under the EMC Directive 2014/30/EU, the RoHS Directive 2011/65/EU.



2012/19/EU (WEEE directive): Products marked with this symbol cannot be disposed of as unsorted municipal waste in the European Union. For proper recycling, return this product to your local supplier upon the purchase of equivalent new equipment, or dispose of it at designated collection points. For more information see: www.recyclethis.info



2006/66/EC (battery directive): This product contains a battery that cannot be disposed of as unsorted municipal waste in the European Union. See the product documentation for specific battery information. The battery is marked with this symbol, which may include lettering to indicate cadmium (Cd), lead (Pb), or mercury (Hg). For proper recycling, return the battery to your supplier or to a designated collection point. For more information see: www.recyclethis.info

Industry Canada ICES-003 Compliance

This device meets the CAN ICES-3 (A)/NMB-3(A) standards requirements.

This device complies with Industry Canada licence-exempt RSS standard(s). Operation is subject to the following two conditions:

- (1) this device may not cause interference, and

(2) this device must accept any interference, including interference that may cause undesired operation of the device.

Le présent appareil est conforme aux CNR d'Industrie Canada applicables aux appareils radioexempts de licence. L'exploitation est autorisée aux deux conditions suivantes :

- (1) l'appareil ne doit pas produire de brouillage, et
- (2) l'utilisateur de l'appareil doit accepter tout brouillage radioélectrique subi, même si le brouillage est susceptible d'en compromettre le fonctionnement.

Under Industry Canada regulations, this radio transmitter may only operate using an antenna of a type and maximum (or lesser) gain approved for the transmitter by Industry Canada. To reduce potential radio interference to other users, the antenna type and its gain should be so chosen that the equivalent isotropically radiated power (e.i.r.p.) is not more than that necessary for successful communication.

Conformément à la réglementation d'Industrie Canada, le présent émetteur radio peut fonctionner avec une antenne d'un type et d'un gain maximal (ou inférieur) approuvé pour l'émetteur par Industrie Canada. Dans le but de réduire les risques de brouillage radioélectrique à l'intention des autres utilisateurs, il faut choisir le type d'antenne et son gain de sorte que la puissance isotrope rayonnée équivalente (p.i.r.e.) ne dépasse pas l'intensité nécessaire à l'établissement d'une communication satisfaisante.

This equipment should be installed and operated with a minimum distance 20cm between the radiator and your body.

Cet équipement doit être installé et utilisé à une distance minimale de 20 cm entre le radiateur et votre corps.




Available Models

This manual is applicable to the two-wire video intercom bundle.

This bundle includes 1 indoor station (DS-KH8340-TCE2), 1 villa door station (DS-KV8103-IME2) and 1 video/audio distributor (DS-KAD709).

Symbol Conventions

The symbols that may be found in this document are defined as follows.

Symbol	Description
 DANGER	Indicates a hazardous situation which, if not avoided, will or could result in death or serious injury.
 WARNING	Indicates a potentially hazardous situation which, if not avoided, could result in equipment damage, data loss, performance degradation, or unexpected results.
 NOTE	Provides additional information to emphasize or supplement important points of the main text.

Safety Instruction



WARNING

- The working temperature of the indoor station is from -10 °C to 55 °C.
- The working temperature of the door station is from -30 °C to 60 °C.
- The working temperature of the video/audio distributor is from -10 °C to 55 °C.
- All the electronic operation should be strictly compliance with the electrical safety regulations, fire prevention regulations and other related regulations in your local region.
- Please use the power adapter, which is provided by normal company. The power consumption cannot be less than the required value.
- Do not connect several devices to one power adapter as adapter overload may cause over-heat or fire hazard.
- Please make sure that the power has been disconnected before you wire, install or dismantle the device.
- When the product is installed on wall, the device shall be firmly fixed.
- If smoke, odors or noise rise from the device, turn off the power at once and unplug the power cable, and then please contact the service center.
- If the product does not work properly, please contact your dealer or the nearest service center. Never attempt to disassemble the device yourself. (We shall not assume any responsibility for problems caused by unauthorized repair or maintenance.)



WARNING

- Do not drop the device or subject it to physical shock, and do not expose it to high electromagnetism radiation. Avoid the equipment installation on vibrations surface or places subject to shock (ignorance can cause equipment damage).
- Do not place the device in extremely hot (refer to the specification of the device for the detailed operating temperature), cold, dusty or damp locations, and do not expose it to high electromagnetic radiation.
- The device cover shall be kept from rain and moisture.
- Exposing the equipment to direct sun light, low ventilation or heat source such as heater or radiator is forbidden (ignorance can cause fire danger).
- Do not aim the device at the sun or extra bright places. A blooming or smear may occur otherwise (which is not a malfunction however), and affecting the endurance of sensor at the same time.
- Please use the provided glove when open up the device cover, avoid direct contact with the device cover, because the acidic sweat of the fingers may erode the surface coating of the device cover.
- Please use a soft and dry cloth when clean inside and outside surfaces of the device cover, do not use alkaline detergents.
- Please keep all wrappers after unpack them for future use. In case of any failure occurred, you need to return the device to the factory with the original wrapper.

Two-Wire Video Intercom Bundle • Quick Start Guide

Transportation without the original wrapper may result in damage on the device and lead to additional costs.

- The power supply must conform to LPS. The recommended adaptor models and manufacturers are shown as below. Use the attached adaptor, and do not change the adaptor randomly.

Model	Manufacturer
KPL-060M-II	Channel Well Technology Co., Ltd.

Table of Contents

1 Appearance Description	1
1.1 Indoor Station	1
1.2 Door Station.....	2
1.3 Video/Audio Distributor	2
2 Terminal and Wiring.....	4
2.1 Terminals and Interfaces	4
2.1.1 Indoor Station Terminals	4
2.1.2 Door Station Terminals.....	5
2.1.3 Video/audio distributor Terminals and Interfaces	6
2.2 Wiring.....	6
3 Installation	9
3.1 Indoor Station Installation	9
3.2 Door Station Installation	10
3.3 Video/Audio Distributor Installation	12
4 Getting Started.....	15
4.1 Activate Device via Batch Configuration Tool.....	15
4.2 Editing Network Parameters	16
4.3 Adding Device	17
4.3.1 Adding Online Devices.....	17
4.3.2 Adding by IP Address	18
4.4 Set Indoor Station	19
4.4.1 Set Room No.	19
4.4.2 Set Linked Network Parameters	20
4.5 Add Device to App	20
4.5.1 Set up the App.....	20
4.5.2 Add Device	21
5 Video Intercom Operation.....	24
Appendix	25
Installation Notice	25

1 Appearance Description

1.1 Indoor Station

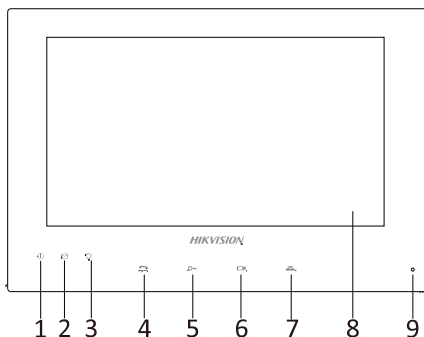


Figure 1-1 Front Panel

Table 1-1 Components Description

No.	Description
1	Power Supply Indicator
2	Information Indicator
3	Alarm Indicator
4	Call Accept/Decline Key
5	Unlock Key
6	Live View Key
7	Management Center Key
8	LCD Display Screen
9	Microphone

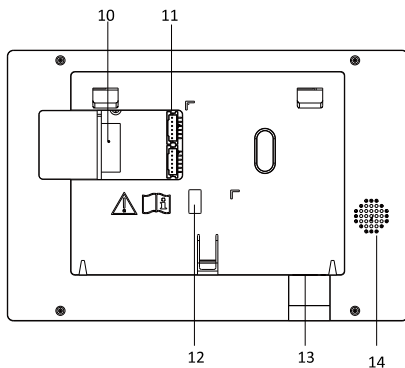


Figure 1-2 Rear Panel

Table 1-2 Components Description

No.	Description
10	Two-Wire Interface
11	Terminals
12	Serial Port
13	TF Card Slot
14	Loudspeaker

1.2 Door Station

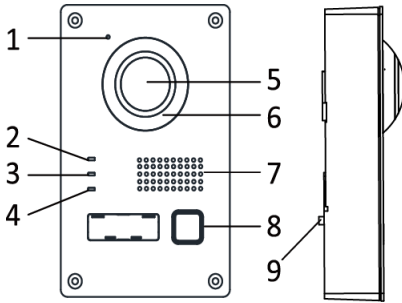


Figure 1-3 Door Station Appearance

Table 1-3 Components Description

No.	Description
1	Microphone
2	Calling Indicator
3	Speaking Indicator
4	Open Door Indicator
5	Built-in Camera
6	Supplement Light
7	Loudspeaker
8	Call Button
9	Tamper Button

1.3 Video/Audio Distributor

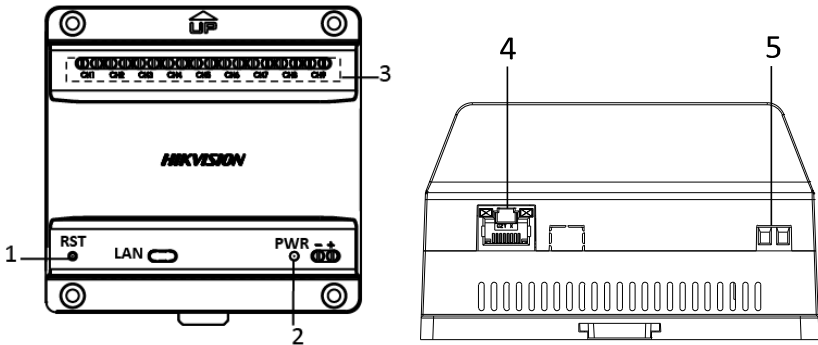


Figure 1-4 Video/Audio Distributor Appearance

Table 1-4 Components Description

No.	Description
1	Reset Button

Two-Wire Video Intercom Bundle • Quick Start Guide

2	Power Indicator
3	Two-Wire Interface
4	RJ-45 Interface
5	Power Supply Interface

2 Terminal and Wiring

2.1 Terminals and Interfaces

2.1.1 Indoor Station Terminals

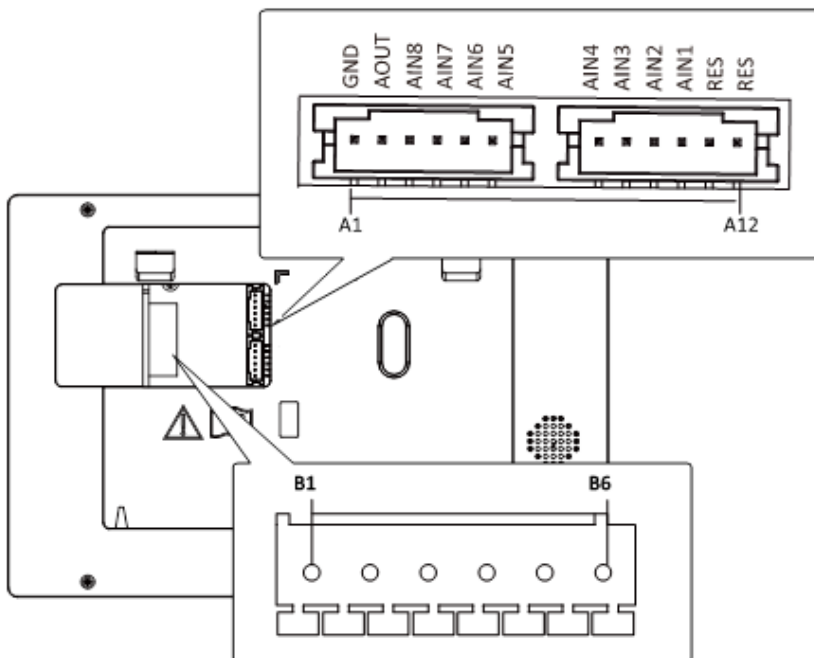


Figure 2-1 Indoor Station Terminals

Table 2-1 Descriptions of Terminals and Interfaces

Name	No.	Interface	Description
Grounding	A1	GND	Grounding
ALARM OUT	A2	AOUT	Alarm Relay Out
ALARM IN	A3	AIN8	Zone Detector Input Terminal 8
	A4	AIN7	Zone Detector Input Terminal 7

Name	No.	Interface	Description
	A5	AIN6	Zone Detector Input Terminal 6
	A6	AIN5	Zone Detector Input Terminal 5
	A7	AIN4	Zone Detector Input Terminal 4
	A8	AIN3	Zone Detector Input Terminal 3
	A9	AIN2	Zone Detector Input Terminal 2
	A10	AIN1	Zone Detector Input Terminal 1
RES	A11	RES	Reserved
	A12	RES	Reserved
Power Supply and Network Transmission	B1	Two-Wire Interface	3 groups of two-wire interfaces (B1 and B2, B3 and B4, B5 and B6) for power supply and network transmission of the indoor station
	B2		
	B3		
	B4		
	B5		
	B6		

2.1.2 Door Station Terminals

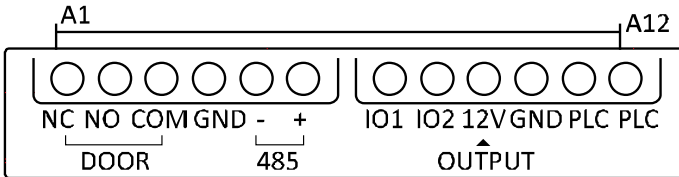


Figure 2-2 Door Station Terminals

Table 2-2 Descriptions of Terminals and Interfaces

Name	No.	Interface	Description
Terminals	A1	NC	Normally Close
	A2	NO	Normally Open
	A3	COM	COM Port
	A4	GND	Grounding
	A5	485-	Reserved
	A6	485+	Reserved
	A7	IO1	Alarm Input 1

Two-Wire Video Intercom Bundle • Quick Start Guide

Name	No.	Interface	Description
	A8	IO2	Alarm Input 2
	A9	12V	Power Supply Output
	A10	GND	Grounding
	A11	PLC	Power Input
	A12	PLC	Power Output

2.1.3 Video/audio distributor Terminals and Interfaces

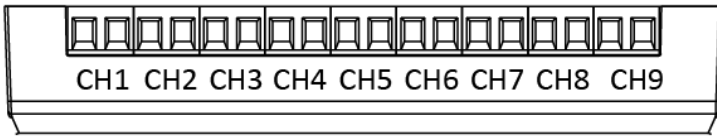


Figure 2-3 Video/audio distributor Terminals

The video/audio distributor contains 9 groups of two-wire interfaces for the access of other devices.

2.2 Wiring



Cautions

Make sure all the related equipment is power-off during the installation.

Choose power cables according to the distance between the door station and the video/audio distributor.

Cable	Resistance per 100 m	Max. Transmission Distance	Max. Distance (Door station doesn't supply power for electric lock.)	Max. Distance (Door station supplies power for electric lock.)
24AWG	10 Ω	50 m	50 m	30 m
20AWG	7 Ω	100 m	100 m	80 m
18AWG	4 Ω	150 m	150 m	100 m



Two-Wire Video Intercom Bundle • Quick Start Guide

- The input voltage for electric lock is 12 V and the maximum current is 200 mA.
- When use the wire in network cable as the 24AWG cable, use two wires connect to one device and spare the other six.

Wire the three devices with power supply cables as the picture shown below.

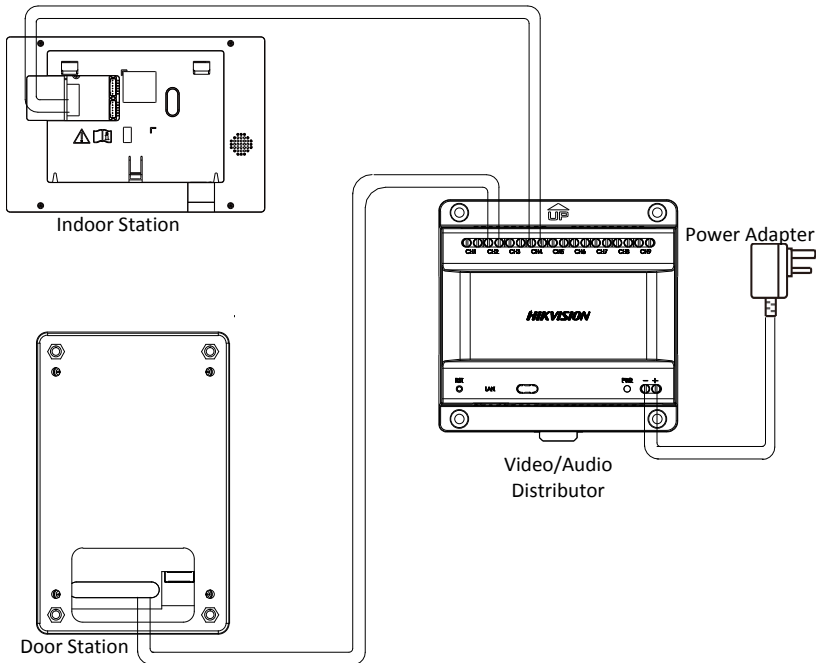


Figure 2-4 Wiring



It's suggested to connect only one video/audio distributor to one switch. If you need to connect more than one video/audio distributor to the switch, please set the PLC channel.

It's suggested to set the PLC channel when there are two or more sets of bundles in use and the distance between the wires of two bundles are less than 1 m. The PLC channel function is made to avoid crosstalk between channels.

The steps as follow:

Steps:

1. Press call button on the door station for 20 seconds to enable PLC setting mode.

The door station plays 8 rings on a continuous loop.

2. Press the button during the ring you selected.

The door station prompts "Setting succeeded." after 1 to 2 mins.

3. Check the PLC setting on the indoor station.

3 Installation

3.1 Indoor Station Installation

Installation Accessory Description

The wall mounting plate is required to install the indoor station onto the wall. The dimension of wall mounting plate is shown in below.

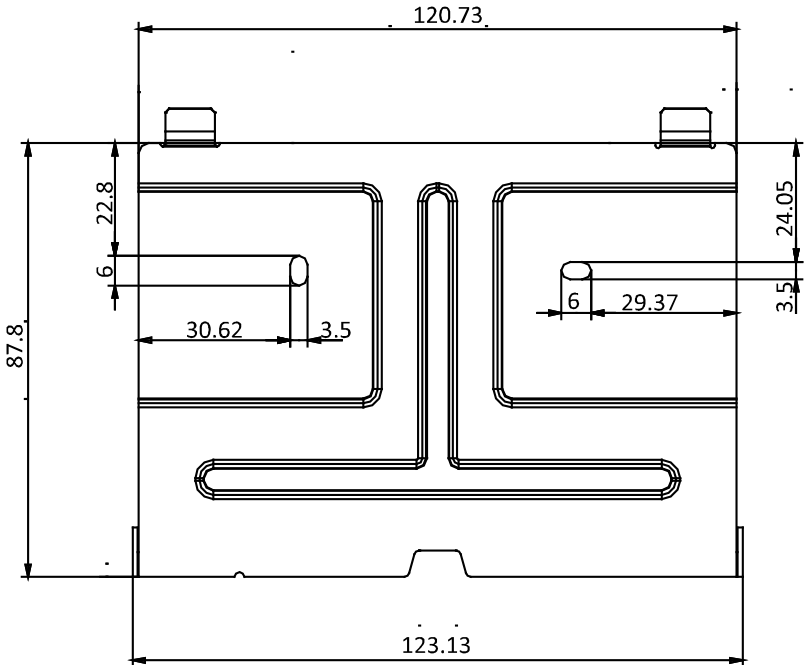


Figure 3-1 Wall Mounting Plate

Mount Indoor Station

Before you start:

- Make sure the device in the package is in good condition.
- Make sure all the related equipment is power-off during the installation.
- Connect cables to the indoor station before mounting.

Steps:

1. Fix the wall mounting plate to the wall with 2 screws.
2. Hook the indoor station to the wall mounting plate tightly by inserting the plate hooks into the slots on the rear panel of the indoor station, during which the lock catch will be locked automatically.

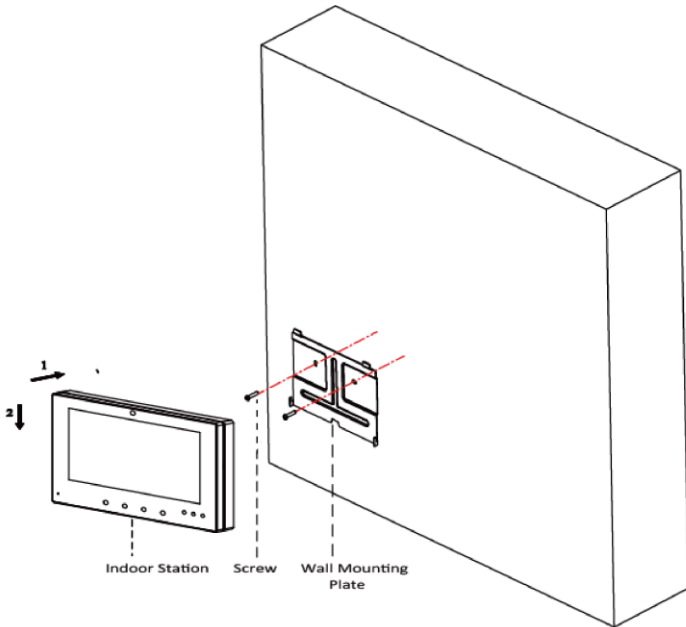


Figure 3-2 Hooking the Indoor Station to the Plate

3.2 Door Station Installation

Installation Accessory Description

To install the door station onto the wall, you are required to utilize a matched gang box. The dimension of gang box is shown in below.

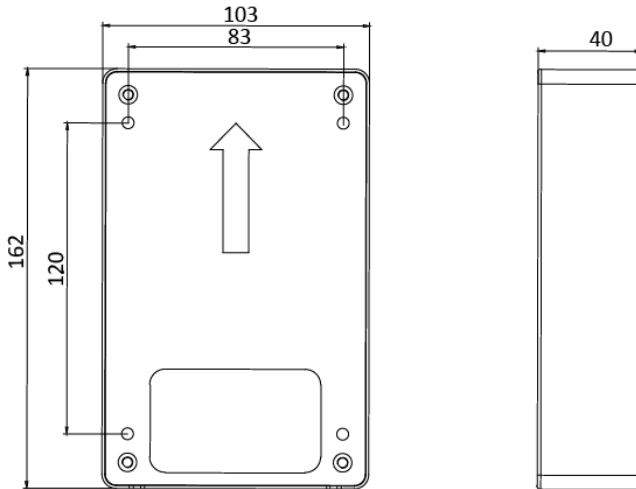


Figure 3-3 Gang Box

Mount Door Station

The door stations supports surface mounting and flush mounting. Here takes surface mounting as an example.

Before you start:

- Make sure the device in the package is in good condition.
- Make sure all the related equipment is power-off during the installation.
- Connect cables to the door station before mounting.

Steps:

1. Take the gang box and screws from the packing box.
2. Fix the gang box onto the wall with 4 screws
3. Install the door station into the gang box, and fix it with 4 screws.

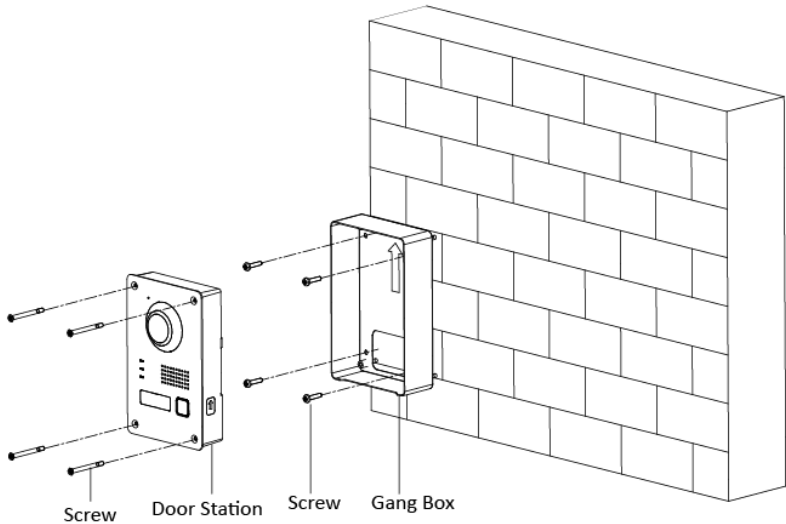


Figure 3-4 Mount the Door Station

3.3 Video/Audio Distributor Installation

You can mount the video/audio distributor with screws or DIN rail.

Before you start:

- Make sure the device in the package is in good condition.
- Make sure all the related equipment is power-off during the installation.
- Check the product specification for the installation environment.

Mode 1

Steps:

1. Take the video/audio distributor and screws from the packing box.
2. Fix the video/audio distributor onto the wall with 4 screws, as shown in the figure below.

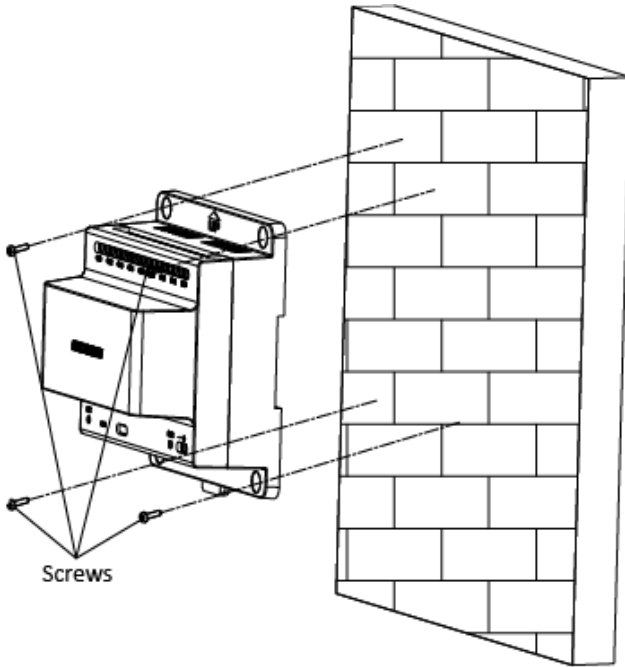


Figure 3-5 Fix the Video/Audio Distributor

Mode 2

Steps:

1. Take the video/audio distributor from the packing box.
2. Fix the DIN rail onto the wall.



You are required to utilize a matched DIN rail.

The suggested dimension for the DIN rail as below:

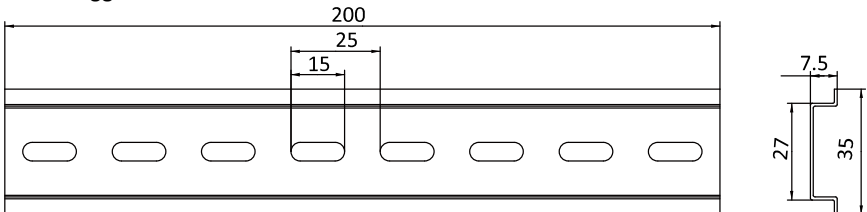


Figure 3-6 DIN Rail Dimension

3. Press the red clip upward, and lock it to the DIN rail.

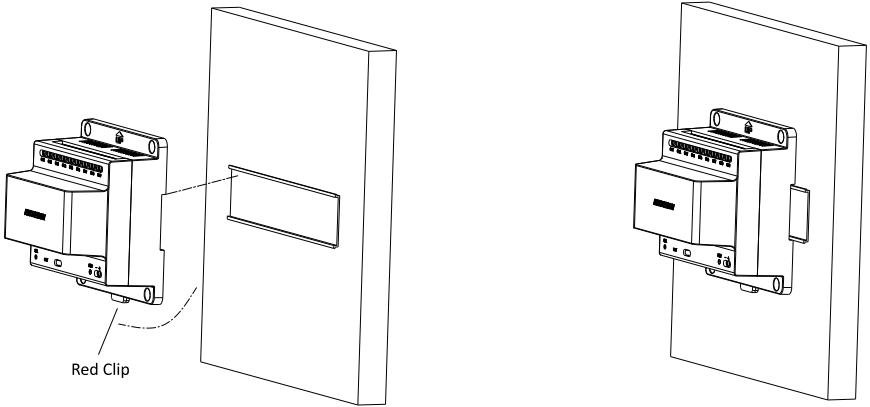


Figure 3-7 Fix the Video/Audio Distributor to DIN Rail

4 Getting Started

4.1 Activate Device via Batch Configuration Tool

Purpose:

You are required to activate the device first by setting a strong password for it before you can use the device. The three devices can be activated in the same way.

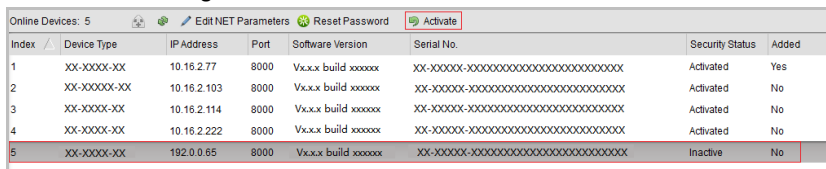
Activation via Batch Configuration Tool, and Activation via iVMS-4200 are supported. Here take activation via Batch Configuration Tool as example to introduce the device activation. Please refer to the user manual for the activation via iVMS-4200.

Before you start:

- Make sure the video/audio distributor is connected to the internet via network cable.
- Make sure the indoor station and door station are connected to the video/audio distributor via power cables.
- Make sure all devices are power-on during the activation.
- The bundle doesn't need to work with master station, SIP server, etc.

Steps:

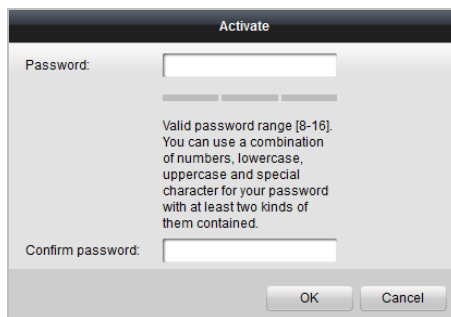
1. Run the Batch Configuration Tool.



Index	Device Type	IP Address	Port	Software Version	Serial No.	Security Status	Added
1	XX-XXXX-XX	10.16.2.77	8000	Vk.x.x build xxxxxx	XX-XXXXX-XXXXXXXXXXXXXXXXXXXXXXXXXX	Activated	Yes
2	XX-XXXXX-XX	10.16.2.103	8000	Vk.x.x build xxxxxx	XX-XXXXX-XXXXXXXXXXXXXXXXXXXXXXXXXX	Activated	No
3	XX-XXXX-XX	10.16.2.114	8000	Vk.x.x build xxxxxx	XX-XXXXX-XXXXXXXXXXXXXXXXXXXXXXXXXX	Activated	No
4	XX-XXXX-XX	10.16.2.222	8000	Vk.x.x build xxxxxx	XX-XXXXX-XXXXXXXXXXXXXXXXXXXXXXXXXX	Activated	No
5	XX-XXXX-XX	192.0.0.65	8000	Vk.x.x build xxxxxx	XX-XXXXX-XXXXXXXXXXXXXXXXXXXXXXXXXX	Inactive	No

Figure 4-1 Select Inactive Device

2. Select an inactivated device and click the **Activate** button.



Activate

Password:

Valid password range [8-16].
You can use a combination of numbers, lowercase, uppercase and special character for your password with at least two kinds of them contained.

Confirm password:

OK Cancel

Figure 4-2 Activation

3. Create a password, and confirm the password.



STRONG PASSWORD RECOMMENDED– *We highly recommend you create a strong password of your own choosing (Using a minimum of 8 characters, including at least three of the following categories: upper case letters, lower case letters, numbers, and special characters.) in order to increase the security of your product. And we recommend you reset your password regularly, especially in the high security system, resetting the password monthly or weekly can better protect your product.*

4. Click the **OK** button to activate the device.



- When the device is not activated, the basic operation and remote operation of device cannot be performed.
- You can hold the **Ctrl** or **Shift** key to select multiple devices in the online devices, and click the **Activate** button to activate devices in batch.

4.2 Editing Network Parameters

Purpose:

To operate and configure the device via LAN (Local Area Network), you need connect the device in the same subnet with you PC. You can edit network parameters via batch configuration tool, and iVMS-4200 software. Here take editing network parameters via batch configuration tool as example.

Steps:

1. Select an online activated device and click the **Edit NET Parameters** button.

Index	Device Type	IP Address	Port	Software Version	Serial No.	Security Status	Added
1	XX-XXXX-XX	10.16.2.77	8000	V1.0.0 build xxxxxx	XX-XXXX-XXXXXXXXXXXXXXXXXXXXXXXXXX	Activated	Yes
2	XX-XXXX-XX	10.16.2.114	8000	V1.0.0 build xxxxxx	XX-XXXX-XXXXXXXXXXXXXXXXXXXXXXXXXX	Activated	No
3	XX-XXXX-XX	10.16.2.103	8000	V1.0.0 build xxxxxx	XX-XXXX-XXXXXXXXXXXXXXXXXXXXXXXXXX	Activated	No
4	XX-XXXX-XX	192.0.0.65	8000	V1.0.0 build xxxxxx	XX-XXXX-XXXXXXXXXXXXXXXXXXXXXXXXXX	Activated	No
5	XX-XXXX-XX	10.16.2.222	8000	V1.0.0 build xxxxxx	XX-XXXX-XXXXXXXXXXXXXXXXXXXXXXXXXX	Activated	No

Figure 4-3 Click Edit NET Parameters Button

2. Change the device IP address and gateway address to the same subnet with your computer.
3. Enter the password and click the OK button to activate the network parameters modification.

Figure 4-4 Edit Network Parameters



- The default port No. is 8000.
- After editing the network parameters of device, you should add the devices to the device list again.

4.3 Adding Device

For batch configuration tool and iVMS-4200 software, you should add device to the software so as to configure the device remotely.

3 ways for adding the device are supported: adding active online devices within your subnet, adding device by IP address, and adding device by IP segment. Here take adding online device and adding device by IP address via batch configuration tool as example.

4.3.1 Adding Online Devices

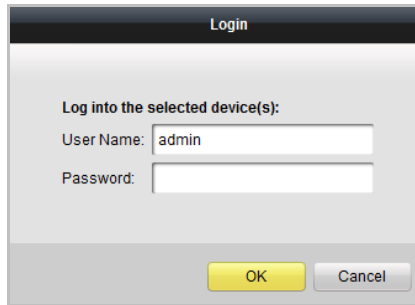
Steps:

1. Select an active online device or hold the **Ctrl** or **Shift** key to select multiple devices in the online devices list.

Index	Device Type	IP Address	Port	Software Version	Serial No.	Security Status	Added
1	XX-XXXX-XX	10.16.2.77	8000	Vx.x.x build xxxxxx	XX-XXXX-XXXXXXXXXXXXXXXXXXXXXX	Activated	Yes
2	XX-XXXX-XX	10.16.2.114	8000	Vx.x.x build xxxxxx	XX-XXXX-XXXXXXXXXXXXXXXXXXXXXX	Activated	No
3	XX-XXXX-XX	10.16.2.103	8000	Vx.x.x build xxxxxx	XX-XXXX-XXXXXXXXXXXXXXXXXXXXXX	Activated	No
4	XX-XXXX-XX	10.16.2.88	8000	Vx.x.x build xxxxxx	XX-XXXX-XXXXXXXXXXXXXXXXXXXXXX	Activated	No
5	XX-XXXX-XX	10.16.2.222	8000	Vx.x.x build xxxxxx	XX-XXXX-XXXXXXXXXXXXXXXXXXXXXX	Activated	No

Figure 4-5 Online Devices Interfaces

2. Click the button to pop up the login dialog box.



The image shows a 'Login' dialog box with a dark header. Below the header, the text 'Log into the selected device(s):' is displayed. There are two input fields: 'User Name:' with the text 'admin' entered, and 'Password:' which is empty. At the bottom of the dialog, there are two buttons: a yellow 'OK' button and a grey 'Cancel' button.

Figure 4-6 Login Dialog Box

3. Enter the user name and password.
4. Click the **OK** button to save the settings.




- Only devices successfully logged in will be added to the device list for configuration.
- If you add devices in batch, please make sure selected devices have the same user name and password.

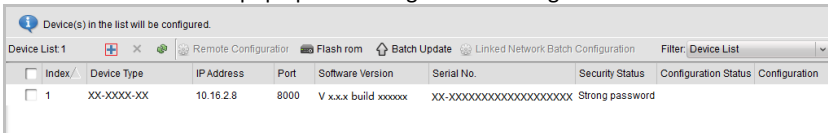
4.3.2 Adding by IP Address

Purpose:

You can add the device by entering IP address.

Steps:

1. Click the  button to pop up the adding devices dialog box.

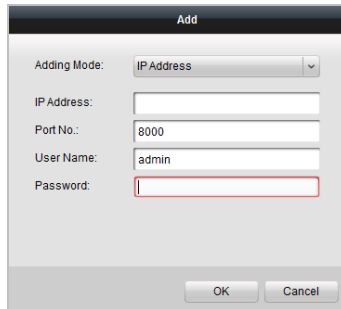


The screenshot shows a software window titled 'Device(s) in the list will be configured.' The window has a menu bar with 'Device List 1', 'Remote Configuration', 'Flash rom', 'Batch Update', and 'Linked Network Batch Configuration'. A filter dropdown is set to 'Device List'. Below the menu bar is a table with the following data:

Index	Device Type	IP Address	Port	Software Version	Serial No.	Security Status	Configuration Status	Configuration
1	XX-XXXX-XX	10.16.2.8	8000	V.X.X.X build XXXXXX	XX-XXXXXXXXXXXXXXXXXXXX	Strong password		

Figure 4-7 Click Adding Button

2. Select IP Address in the adding mode drop-down list.
3. Enter the IP address, and set the port No., user name and password of the device.



The screenshot shows a dialog box titled "Add". It contains the following fields and controls:

- Adding Mode:** A dropdown menu with "IP Address" selected.
- IP Address:** An empty text input field.
- Port No.:** A text input field containing "8000".
- User Name:** A text input field containing "admin".
- Password:** A text input field with a red border, currently empty.
- Buttons:** "OK" and "Cancel" buttons at the bottom right.

Figure 4-8 Add by IP Address

4. Click the **OK** button to add the device to the device list.



- You cannot add the device(s) to the device list if the user name and password are not identical.
- When you add devices by IP Address, or IP Segment, the devices should be online devices.

4.4 Set Indoor Station

4.4.1 Set Room No.

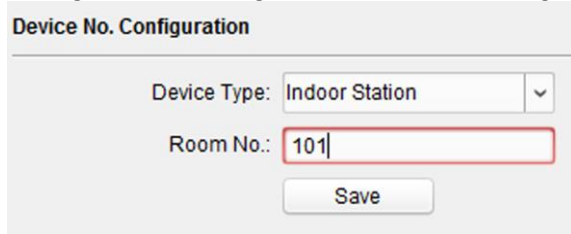
You can set the indoor station No. via batch configuration tool remotely. You can dial the Room No. to call the indoor station resident.



Make sure you have activated the indoor station, and add it to the batch configuration tool.

Steps:

1. Click **Remote Configuration->ID Configuration** to enter the ID configuration page.



The screenshot shows a dialog box titled "Device No. Configuration". It contains the following fields and controls:

- Device Type:** A dropdown menu with "Indoor Station" selected.
- Room No.:** A text input field containing "101", with a red border around the field.
- Button:** A "Save" button at the bottom.

Figure 4-9 Set the Indoor Station Room No.

2. Select the device type as **Indoor Station**, and set the Room No.
3. Click **Save**.

4.4.2 Set Linked Network Parameters

Linked network configuration is a basic setting for the communication among devices.



Make sure you have activated the indoor station, and add it to the batch configuration tool.

Steps:

1. Click **Remote Configuration->Network >Linked Network Configuration** to enter the linked network configuration page.

A screenshot of a web-based configuration page titled "Linked Network Configuration". The page contains several input fields and dropdown menus. The "Device Type" dropdown is set to "Indoor Station". The "Master Station IP Address" field is set to "0.0.0.0". The "(Main) Door Station IP Address" field is set to "10.15.3.208". The "SIP Server IP Address" field is set to "10.15.3.205". The "Security Control Panel IP Address" field is set to "0.0.0.0". The "Security Control Panel Port No." field is set to "0". The "Main Door Station Type" dropdown is set to "Main Door Station (D S...". A "Save" button is located at the bottom right of the form.

Figure 4-10 Linked Network Configuration

2. Enter the IP address of linked devices based on your requirements.
For example, we set the door station IP address as 10.15.3.208, so as to realize the communication between the door station and the indoor station.
3. Click **Save**.

4.5 Add Device to App

You can realize remote control via the App.

You need to set up the app and add the door station to Hik-Connect by scanning the QR code on the door station or entering the device serial number.

4.5.1 Set up the App

Before You Start

Make sure your mobile device has been connected to Wi-Fi.

Steps

1. Install Hik-Connect App and register a user account for iOS or Android.
 - 1) Search “Hik-Connect” in App Store or Google Play™ to download and install the App.



Figure 4-11 App Store/Google Play

- 2) Launch the App and follow the on-screen instructions to register a user account.
2. Start the Hik-Connect App, and log in to the App.

4.5.2 Add Device

Before You Start

- Make sure devices have been activated.
- Make sure the door station and the indoor station are linked and communicating normally.
- Make sure you have configured the Room No. and linked network parameters.

Mode 1 Add Device via QR Code

You can add the door station by scanning the QR code on the door station via the App.

Steps

1. On the App Home page, tap “+” on the upper-right corner to add the device.
2. Scan the QR code on the door station.

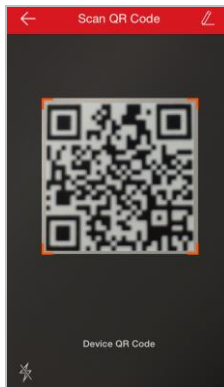


Figure 4-12 Scan QR Code

3. Tap **Add** to add the door station.

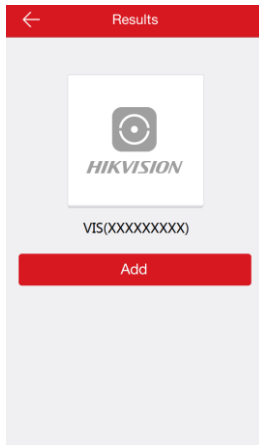


Figure 4-13 Device Result

Mode 2 Add Device via Serial No.

You can add the door station to the App by entering the device serial No. on the indoor station interface.

Steps

1. On the App Home page, tap “+” on the upper-right corner to add the device.
2. Enter the device serial No., and click **Add**.

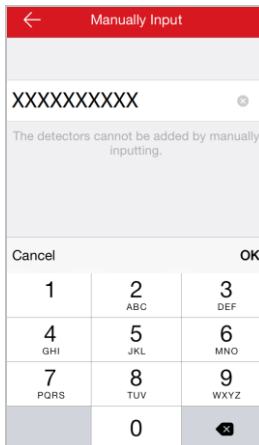


Figure 4-14 Enter Serial Number

3. Enter the device verification code, and click **OK**.

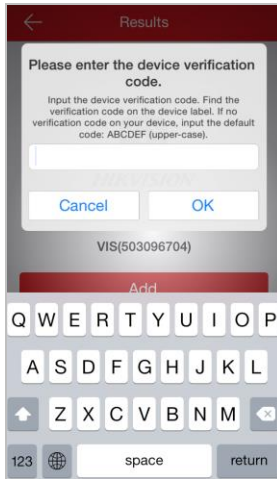


Figure 4-15 Enter Verification Code



- You can get the serial No. on the indoor station Maintenance page: **Settings** ->**Maintenance**.
- The admin password of the indoor station is 123456.
- The default device verification code is ABCDEF.

5 Video Intercom Operation

You can call the resident by pressing the call button.

Steps:

1. Press the call button of the doorbell.
2. The resident can receive/decline the video call, unlock the door, etc.



- When the video intercom between you and the resident is realized, you can speak to the resident, and the live view of door station will be displayed on the connected indoor station.
- When the door station is calling the resident, the door station will detect the brightness of video automatically. When the brightness is lower than the expected threshold, the supplement light will be enabled.
- When the supplement light is enabled, the backlight of key will be auto-enabled, otherwise, the door station will detect the brightness of live view and enable the backlight of key when the brightness of live view is lower than expected threshold.

Appendix

Installation Notice

While installing the door station, please make sure that the distance between any two devices is far as possible to avoid the howling and echo. The distance between two devices is recommended to be longer than 10 meters.



Devices here refer to indoor station, door station, and video/audio distributor.



First Choice for Security Professionals