

Diagram References

1 Appearance

- ① Screen
- ② Microphone
- ③ Debugging Port
- ④ Network Interface
- ⑤ Loudspeaker
- ⑥ TF Card Slot
- ⑦ Alarm Terminal
- ⑧ Reserved
- ⑨ Power Terminal

Note:
 • The appearance of the device varies according to different models. Refers to the actual device for detailed information.
 • The debugging port is used for debugging only.

2 Terminal and Wiring

There are 20 pins in the terminal on the rear panel of the indoor station: 2 RS-485 pins, 5 reserved pins, 4 relay output pins, 8 alarm input pins, and 1 GND pin.

Note: There are 20 pins in the terminal on the rear panel of the DS-KH6320-TE1: 11 reserved pins, 8 alarm input pins, and 1 GND pin. Please refer to the specific model.

3 Installation

It supports wall mounting. There are two installation modes.

Installation Accessory Description

The wall mounting plate and junction box are required to install the indoor station onto the wall.

The dimension of junction box should be 75 mm (width) × 75 mm (length) × 50 mm (depth). The dimension of wall mounting plate is shown.

Before You Start

- Make sure the device in the package is in good condition and all the assembly parts are included.
- The power supply the indoor station supports is 12 VDC. Please make sure your power supply matches your indoor station.
- Make sure all related equipments are power-off during the installation.
- Check the product specification for the installation environment.

★ Wall Mounting with junction Box

1. Chisel a hole in the wall. The size of the hole should be 76 mm (width) × 76 mm (length) × 50 mm (depth).
2. Insert the junction box to the hole chiseled on the wall.
3. Fix the wall mounting plate to the junction box with 2 screws.
4. Hook the indoor station to the wall mounting plate tightly by inserting the plate hooks into the slots on the rear panel of the indoor station, during which the lock catch will be locked automatically.

★ Wall Mounting without junction Box

1. Insert 2 expansion tubes into the wall.
2. Fix the wall mounting plate to the junction box with 2 screws.
3. Hook the indoor station to the wall mounting plate tightly by inserting the plate hooks into the slots on the rear panel of the indoor station, during which the lock catch will be locked automatically.

4 Getting Started

1 Activate Indoor Station

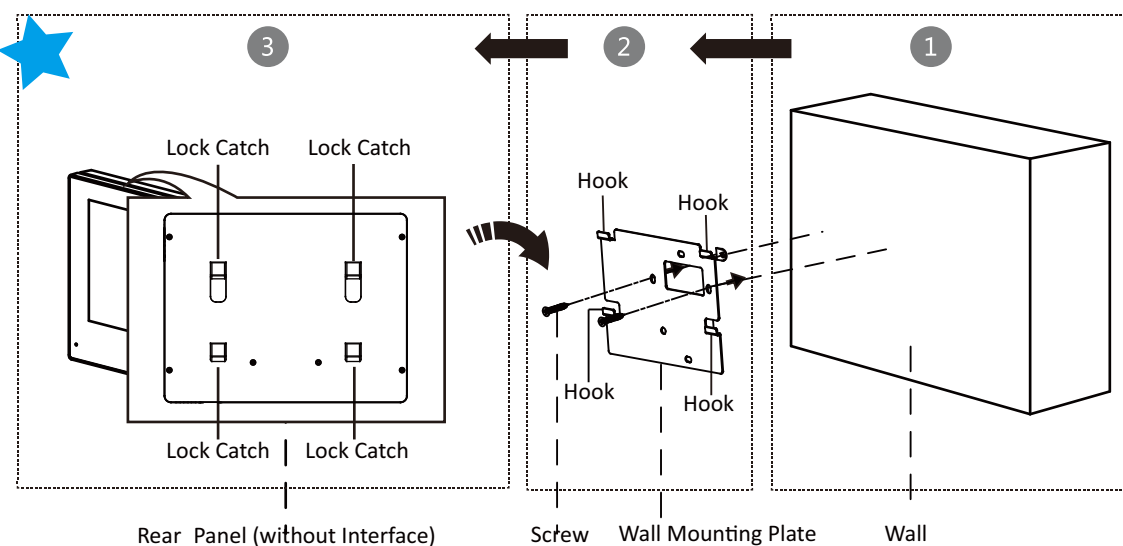
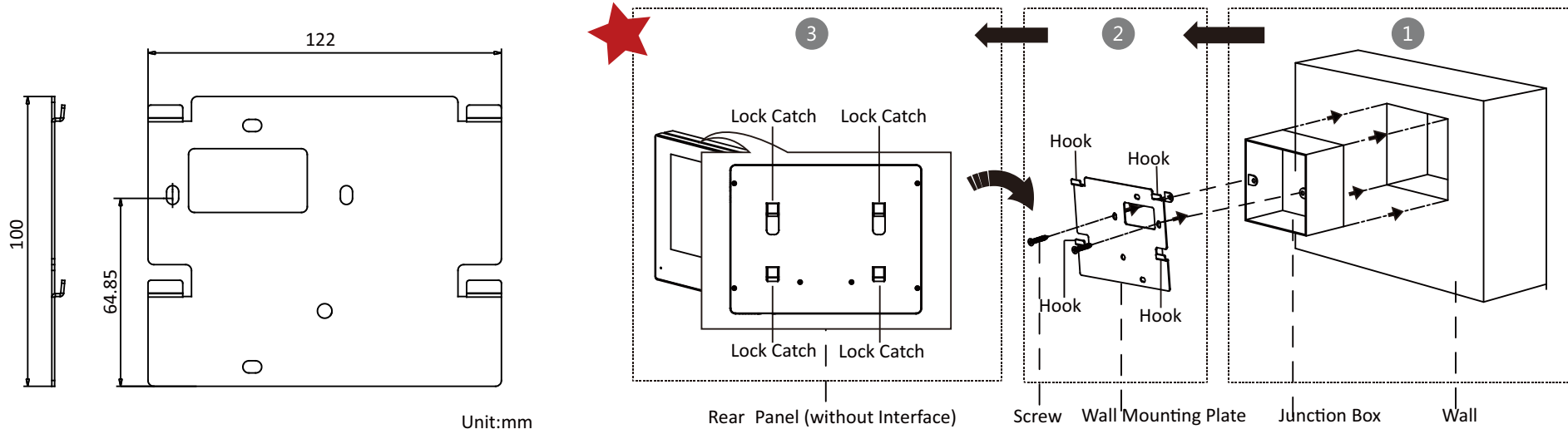
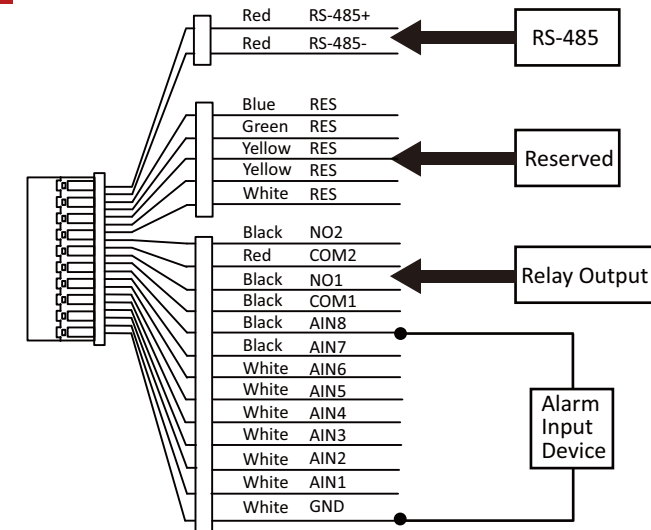
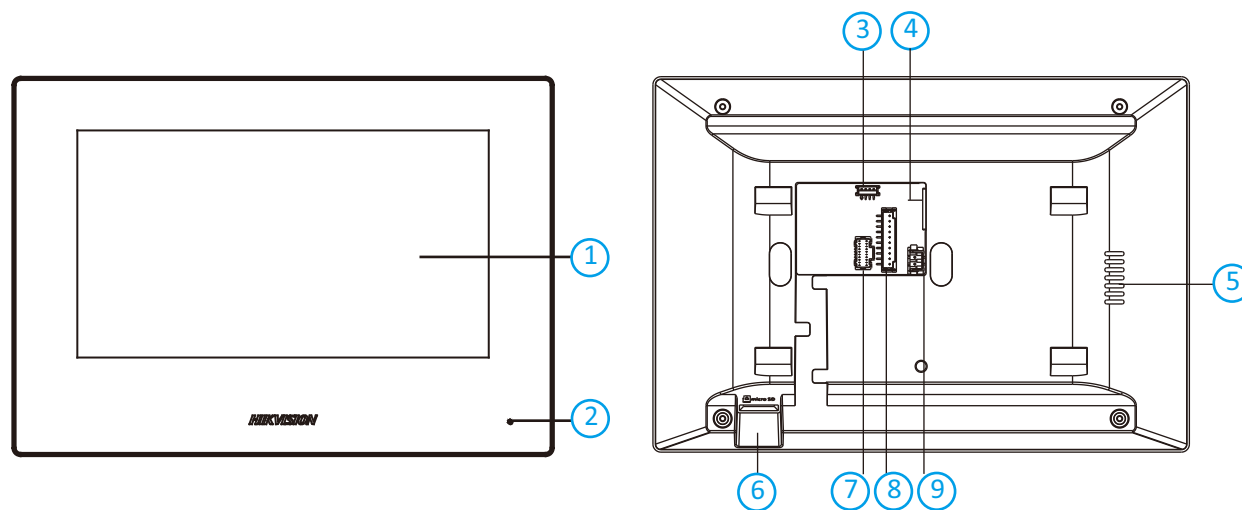
You are required to activate the device first by settings a strong password before you can use the device.

1. Power on the device. It will enter the activation page automatically.
2. Create a password and confirm it.
3. Tap OK to activate the indoor station.
4. Optional: Bind email address. You can reset the activation/admin password via the email if you forget your password.

2 Quick Configuration

1. Choose Language and tap Next.
2. Set network parameters and tap Next.
 - Edit Local IP, Subnet Mask and Gateway parameters.
 - Enable DHCP, the device will get network parameters automatically.
3. Configure the indoor station parameters.
 - Select Indoor Station and tap Next to link main door station.
 - a. Edit Floor and Room No.
 - b. Create and confirm SIP register password.
 - Select Indoor Extension and tap Next to link indoor station.
 - a. Edit No., Room Name.
 - b. Create and confirm SIP register password.
4. Linked related devices and tap Next. If the device and the indoor station are in the same LAN, the device will be displayed in the list. Tap the device or enter the serial No. to link.
 - a. Tap the settings icon to pop up the Network Settings page.
 - b. Edit the network parameters of the door station manually or enable DHCP to get the network parameters automatically.
 - e. Tap OK to save the settings.
5. Tap Finish to save the settings.

Refers to Video Intercom Network Indoor Station Configuration Guide (Scan the QR code) for details.
 Refers to Video Intercom Network Indoor Station Operation Guide (Scan the QR code) for details.



Scan the QR code to get the Configuration Guide for detailed information.



Scan the QR code to get the Operation Guide for detailed information.



Diagram References

1 Appearance

- ① Microphone ② Indicator ③ Camera ④ Loudspeaker ⑤ Button
- ⑥ Card Reading Area ⑦ IR Light ⑧ Micro SD Card Slot(Reserved) & Debugging Port
- ⑨ Network Interface ⑩ Terminals

Note: The debugging port is used for debugging only.

Indicator Description Unlock: Green Call: Orange Communicate: White

2 Terminal and Wiring

- NC: Door Lock Relay Output (NC) 485-: RS-485 Interface (Reserved)
- NO: Door Lock Relay Output (NO) 485+: RS-485 Interface (Reserved)
- COM: Common Interface 12 VDC IN: Power Supply Input
- AIN1: For the access of Door Contact GND: Grounding
- AIN3: For the access of Exit Button LAN: Network Interface
- AIN2&AIN4: Reserved

3 Installation Accessory

- ① Mounting Template ② Mounting Plate

Note: The dimension of the mounting plate is 174 mm × 83.66 mm × 18 mm.

4 Installation

Note: Video intercom villa door station supports surface mounting.

Before You Start

- Make sure all related equipments are power-off during the installation.
- Tools that you need to prepare for installation: Drill (φ2.846) and gradienter.
- Purchase the protective shield before installation.

★ Surface Mounting without Protective Shield

1. Stick the mounting template on the wall. Drill screw holes according to the mounting template. Remove the template from the wall.
2. Secure the mounting plate on the wall with 4 supplied screws according to the screw holes.
3. Secure the device on the mounting plate with 4 supplied set screws.
4. Fix the cover onto the device with the screw.

★ Flush Mounting without Protective Shield

1. Stick the mounting template on the wall. Drill the hole according to the mounting template. Remove the template from the wall. The suggested size of hole is 175 mm × 84 mm × 19 mm.
2. Install the gang box into the hole with 4 screws.
3. Insert the device to the gang box. Secure the device with 4 supplied screws.
4. Fix the cover onto the device with the screw.

5 Configuration via Web

① Activate Device via Web

You are required to activate the device first by settings a strong password before you can use the device.

Default parameters of door station are as follows:

- Default IP Address: 192.0.0.65.
- Default Port No.:8000.
- Default User Name: admin

1. Power on the device, and connect the device to the network.
2. Enter the IP address into the address bar of the web browser, and click Enter to enter the activation page.

Note: The computer and the device should belongs to the same subnet.

3. Create and enter a password into the password field.
4. Confirm the password.
5. Click OK to activate the device.

Note: When the device is not activated, the basic operation and remote configuration of device cannot be performed.

② Access to the Device by Web Browsers

1. In the browser address bar, enter the IP address of the device, and press the Enter key to enter the login page.
2. Enter the user name and password and click Login.

③ Communicate with Indoor Station

1. Click Settings -> Intercom -> Press Button to Call to enter the settings page.
2. Set the parameters.
 - Edit call No. for every button.
 - Check Call Management Center to set the button calling center.

Note: If you check Call Management Center and set the call No., as well, call management center has higher privilege than call No.

3. Press button to call indoor station.

④ Issue Card

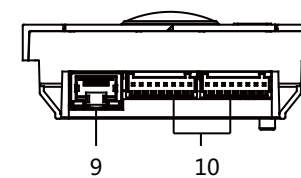
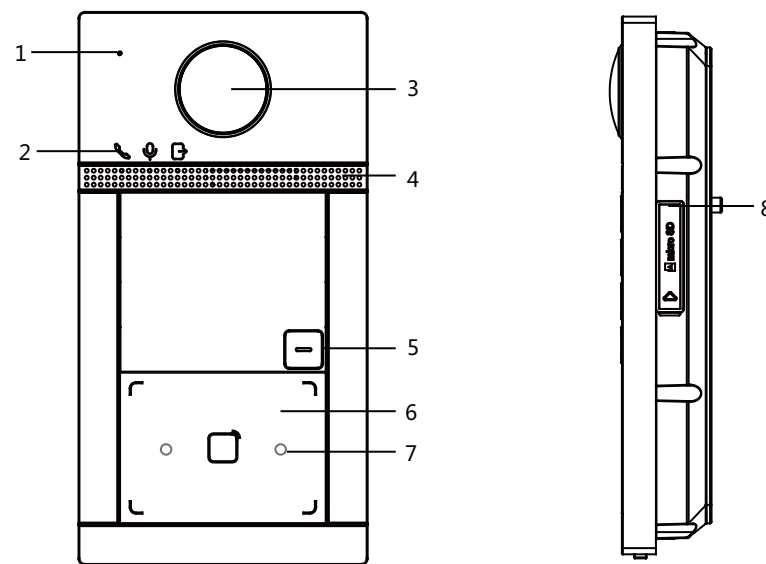
1. Click Settings -> Access Control and Elevator Control to enter the settings page.
2. Click Issue Card. Present the card on the card reading area.
3. When issuing finished, the windows pop up on the settings page.

Note:
 • Only M1 card supported, and M1 card with non-standard shape is recommended.
 • Up to 10000 cards can be issued and managed by V series door station. A voice prompt (No more cards can be issued.) can be heard when the issued card amount exceeds the upper limit.

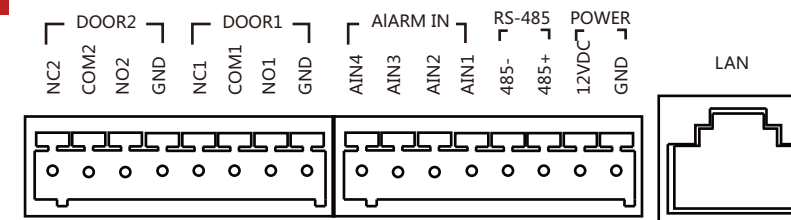
⑤ Unlock Door

After issuing cards, you can unlock the door by presenting the issued cards.

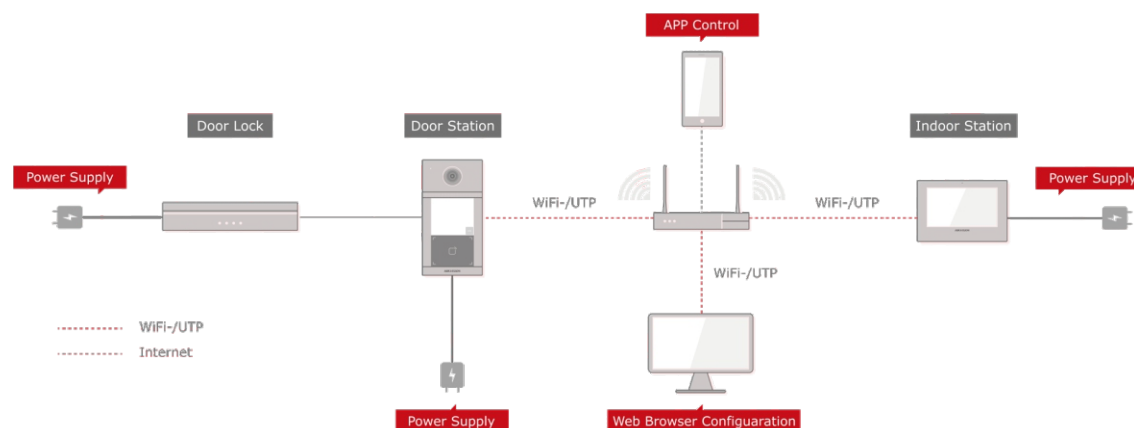
Refers to Video Intercom Villa Door Station User Manual (scan the QR code) for details.



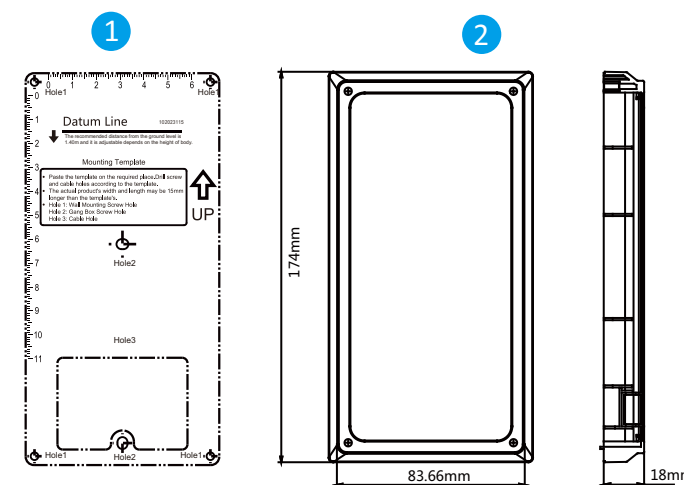
2



2

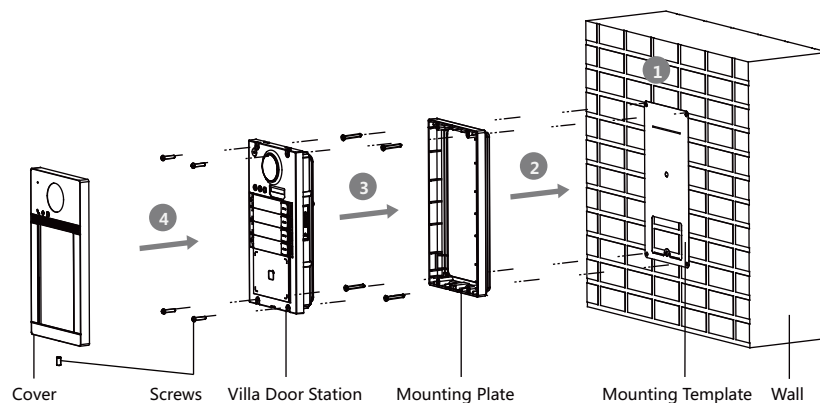


3



4

★ Surface Mounting without Protective Shield



★ Flush Mounting without Protective Shield

