

## DS-K1T320EFX Face Recognition Terminal



Face recognition terminal adopts deep learning algorithm, which helps to recognize the face faster with higher accuracy. It also supports multiple authentication modes: face/card/fingerprint/PIN authentication, etc. It can be applied in multiple scenarios, such as buildings, enterprises, financial industries, and other important areas.

- 2.4-inch LCD screen, 2 MP lens
- Multiple authentication methods, including face, fingerprint, card, and PIN etc.
- Supports EM card
- Max. 500 faces, 1,000 cards, 1,000 fingerprints and 100,000 events
- Face recognition duration < 0.2 s/User
- Supports ISAPI and ISUP 5.0 protocols
- Configuration via the web client

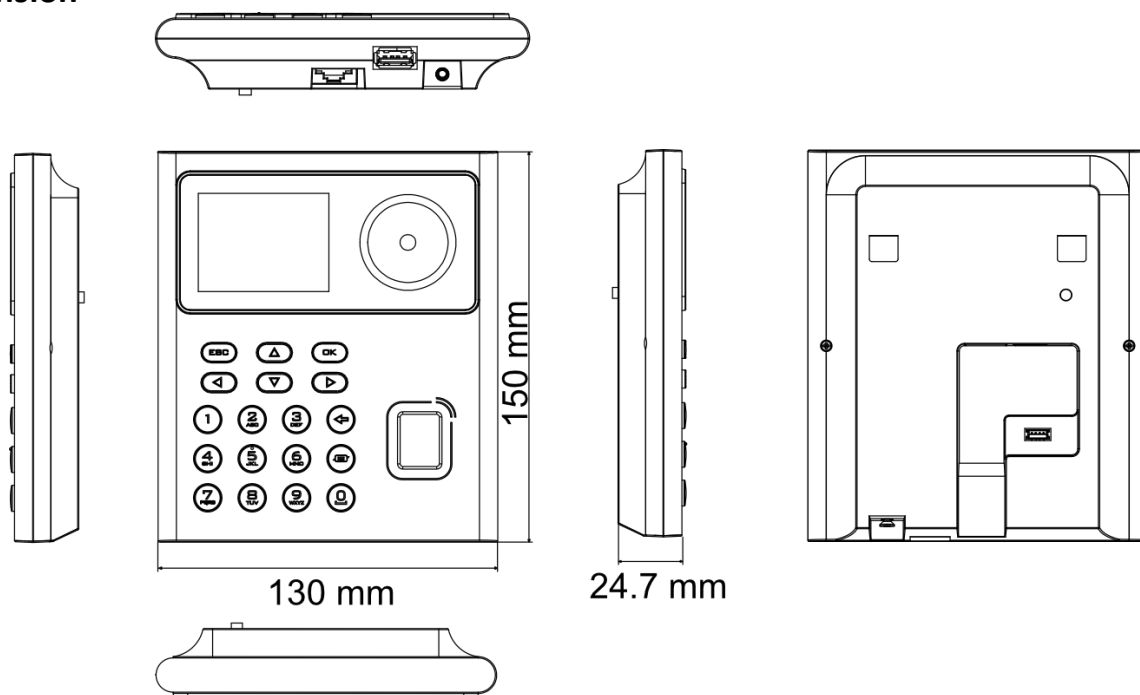
## ▪ Specification

<b>Display</b>	
Screen size	2.4 inch
Type	LCD
<b>Video</b>	
Lens	1
Resolution	2 MP (video stream: 720P)
FOV	HFOV = 43°; VFOV = 25°
<b>Network</b>	
Wired network	Support
<b>Interface</b>	
Network interface	1 RJ-45, 10/100 M self-adaptive
Lock control	1
Exit button	1
Door contact input	1
TAMPER	1
USB	1
<b>Authentication</b>	
Card type	EM card
<b>General</b>	
Built-in access controller	Yes
Power supply	12 VDC
Power consumption	≤ 6 W
Working temperature	-10 °C to 55 °C (14 °F to 131 °F)
Working humidity	0 to 90% (No condensing)
Language	English, Spanish (South America), Arabic, Thai, Indonesian, Russian, Vietnamese, Portuguese (Brazil), Korean, Japanese
<b>Function</b>	
Face anti-spoofing	Support

## ▪ Available Model



DS-K1T320EFX

▪ **Dimension**



▪ **Accessory**

▪ **Optional**

DS-KAB320-D1 320 Bracket	DS-KAB6-W1 Bracket
	

**Headquarters**

No.555 Qianmo Road, Binjiang District,  
Hangzhou 310051, China  
T +86-571-8807-5998  
www.hikvision.com



Follow us on social media to get the latest product and solution information.

