

DS-UL4 2K Live Camera



- High quality imaging with 2560 × 1440 resolution
- Built-in supplement light for bright imaging
- Low distortion lens for reducing image distortion
- Built-in microphone with clear sound
- Type-C interface, supporting USB 2.0 protocols
- Plug-and-play, no need to install driver software
- Support auto focus

▪ Specification

Camera	
Image Sensor	4 MP CMOS
Signal System	PAL/NTSC
Frame Rate	MJPG : 2560 × 1440 @30fps/25fps 1920 × 1080 @60fps/50fps/30fps/25fps 1280 × 960 @60fps/50fps/30fps/25fps 1280 × 720 @60fps/50fps/30fps/25fps 640 × 480 @60fps/50fps/30fps/25fps 640 × 360 @60fps/50fps/30fps/25fps YUV2 : 1920 × 1080 @5fps 1280 × 960 @5fps 1280 × 720 @10fps 640 × 480 @30fps 640 × 360 @30fps
Resolution	2560 (H) × 1440 (V)
Min. Illumination	0.1 Lux @ (F1.2, AGC ON)
Shutter Time	PAL: 1/25 s to 1/50,000 s; NTSC: 1/30 s to 1/50,000 s
Lens	3.6 mm fixed focal lens
Field of View	horizontal FOV: 81°, vertical FOV: 50°, diagonal FOV: 90°
Lens Mount	M8
Day & Night	24/7 Color Imaging
Angle Adjustment	pan: 0°; tilt: 0° to 90°; rotation: 0°
Digital Zoom	Yes
Cable Length	2 m
Lens	
Depth of Field	5 cm to ∞
Audio	
Audio Sampling Rate	16 kHz
Interface	
Video Output	USB 2.0
Audio In	Built-in mic
Operating System	Recommended systems Windows 7/8/10/11 (resolution higher than 1080P is only available in Windows 8.1 and above version) Android 8.1 and above version Linux 4.14 and above version macOS 10.12 and above version Chrome OS
General	
Operating Conditions	-10°C to 40°C, Humidity: 90% or less (non-condensing)
Power Supply	DC 5V ± 5% (USB)

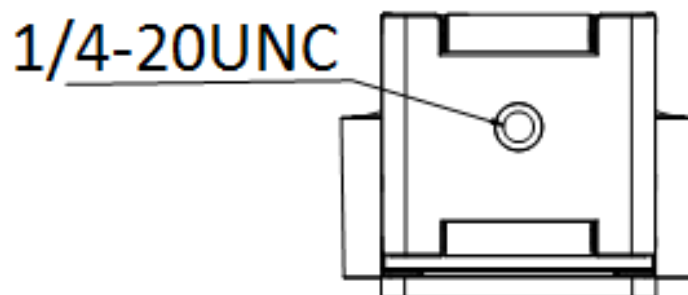
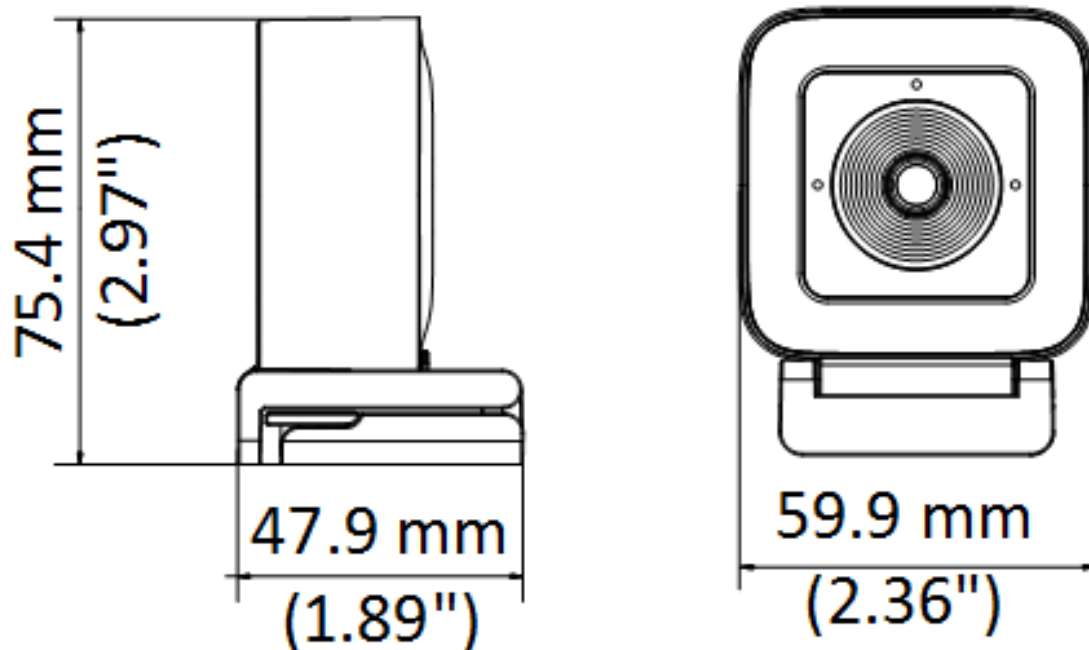
Consumption	2.5 W MAX
Material	Plastic
Dimension	47.9 mm × 59.9 mm × 75.4 mm (1.89" × 2.36" × 2.97")
Weight	Approx. 169.5g (0.37 lb.)
Accessory	
Packing List	Camera × 1 USB Cable × 1 Quick Start Guide × 1 Bracket × 1 Tripod × 1

▪ **Available Model**

DS-UL4

DS-UL4(JAPAN)

▪ **Dimension**



Headquarters

No.555 Qianmo Road, Binjiang District,
Hangzhou 310051, China
T +86-571-8807-5998
www.hikvision.com



Follow us on social media to get the latest product and solution information.

