

DS-2XE6145G0-HS/304 4 MP Explosion-Proof Network Camera



- Explosion-proof design: the camera has passed international ATEX & IECEx certifications, and can be used in gas and dust hazardous scenarios
- 304 stainless steel enclosure, protecting the camera from damage caused by sparks or corrosive materials
- IP68 water resistant, preventing water ingress for outdoor use
- H.265+/H.265/H.264+/H.264 encoding: efficient compression technology saves storage space and reduces bandwidth requirements
- A built-in heater allows for start-up in ultra-low temperatures to -40 °C
- High resolution 4 MP, capturing clear images

▪ Specification

Camera	
Image Sensor	1/3" Progressive Scan CMOS
Max. Resolution	2688 × 1520
Min. Illumination	Color: 0.003 Lux @ (F1.0, AGC ON)
Shutter Time	1/3 s to 1/100,000 s
Angle Adjustment	Pan: 0° to 340°, tilt: 0° to 75°
Lens	
Lens Type	Fixed focal length, 2.8 mm, 4 mm, and 6 mm optional
Focal Length & FOV	2.8 mm, horizontal FOV 102.5°, vertical FOV 53.4°, diagonal FOV 118.9° 4 mm, horizontal FOV 80.2°, vertical FOV 40.8°, diagonal FOV 93.4° 6 mm, horizontal FOV 52.5°, vertical FOV 27.4°, diagonal FOV 60.2°
Lens Mount	M12
Aperture	F1.0
DORI	
DORI	2.8 mm, D: 54.6 m, O: 21.7 m, R: 10.9 m, I: 5.5 m 4 mm, D: 85.4 m, O: 33.9 m, R: 17.1 m, I: 8.5 m 6 mm, D: 128.0 m, O: 50.8 m, R: 25.6 m, I: 12.8 m
Video	
Main Stream	50 Hz: 25 fps (2688 × 1520, 1920 × 1080, 1280 × 720) 60 Hz: 30 fps (2688 × 1520, 1920 × 1080, 1280 × 720)
Sub-Stream	50 Hz: 25 fps (640 × 480, 640 × 360) 60 Hz: 30 fps (640 × 480, 640 × 360)
Third Stream	50 Hz: 1 fps (1920 × 1080, 1280 × 720, 640 × 480, 640 × 360) 60 Hz: 1 fps (1920 × 1080, 1280 × 720, 640 × 480, 640 × 360)
Video Compression	Main stream: H.265+/H.265/H.264+/H.264 Sub-stream: H.265/H.264/MJPEG Third stream: H.265/H.264
Video Bit Rate	32 Kbps to 8 Mbps
H.264 Type	Baseline Profile/Main Profile/High Profile
H.265 Type	Main Profile
Scalable Video Coding (SVC)	H.264 and H.265 encoding
Region of Interest (ROI)	5 fixed regions for each stream
Target Cropping	Yes
Audio	
Audio Compression	G.711ulaw/G.711alaw/G.722.1/G.726/MP2L2/PCM/AAC-LC/MP3
Audio Bit Rate	64 Kbps (G.711 ulaw/G.711 alaw)/16 Kbps (G.722.1)/16 Kbps (G.726)/32 to 192 Kbps (MP2L2)/16 to 64 Kbps (AAC-LC)/8 to 320 Kbps (MP3)
Audio Sampling Rate	8 kHz/16 kHz/32 kHz/44.1 kHz/48 kHz
Environment Noise Filtering	Yes
Network	
Protocols	TCP/IP, ICMP, HTTP, HTTPS, FTP, DHCP, DNS, DDNS, RTP, RTSP, RTCP, PPPoE, NTP, UPnP, SMTP, SNMP, IGMP, 802.1X, QoS, IPv6, UDP, Bonjour
Simultaneous Live View	Up to 6 channels

API	Open Network Video Interface, ISAPI, ISUP 5.0
User/Host	Up to 32 users 3 levels: administrator, operator and user
Network Storage	NAS (NFS, SMB/CIFS), ANR
Client	iVMS-4200, Hik-Connect
Web Browser	Plug-in required live view: IE10, IE11 Local service: Chrome 57.0+, Firefox 52.0+
Image	
Image Parameters Switch	Yes
Image Settings	Rotate mode, saturation, brightness, contrast, sharpness, AGC, and white balance adjustable by client software or web browser
Day/Night Switch	Day, Night, Auto, Schedule
Wide Dynamic Range (WDR)	120 dB
Image Enhancement	BLC, HLC, 3D DNR, defog
Interface	
Ethernet Interface	1 RJ45 10 M/100 M self-adaptive Ethernet port
On-Board Storage	Built-in memory card slot, support microSD/SDHC/SDXC card, up to 128 GB *You are recommended to purchase memory card together with the product if needed. After ordering, the memory card will be installed to product during manufacturing.
Audio	1 input (line in), 1 output (line out)
Alarm	1 alarm input, 1 alarm output (supports max. 24 VDC, 1 A or 110 VAC, 500 mA)
RS-485	1 RS-485 interface
Event	
Basic Event	Motion detection, video tampering alarm, exception (network disconnected, IP address conflict, illegal login, HDD full, HDD error)
Smart Event	Line crossing detection, intrusion detection, region entrance detection, region exiting detection Scene change detection, unattended baggage detection, object removal detection
General	
Power	12 VDC \pm 20%, 0.8 A, max. 10 W, two-core terminal block PoE: 802.3af, Class 3, 36 V to 57 V, 0.3 A to 0.2 A, max. 12.5 W
Material	SUS 304
Dimension	\varnothing 138 mm \times 123.4 mm (\varnothing 5.43" \times 4.86")
Package Dimension	251 mm \times 215 mm \times 189 mm (9.88" \times 8.46" \times 7.44")
Weight	Approx. 2810 g (6.2 lb.)
With Package Weight	Approx. 4040 g (8.9 lb.)
Startup and Operating Conditions	-40 $^{\circ}$ C to 60 $^{\circ}$ C (-40 $^{\circ}$ F to 140 $^{\circ}$ F). Humidity 95% or less (non-condensing)
Language	33 languages: English, Russian, Estonian, Bulgarian, Hungarian, Greek, German, Italian, Czech, Slovak, French, Polish, Dutch, Portuguese, Spanish, Romanian, Danish, Swedish, Norwegian, Finnish, Croatian, Slovenian, Serbian, Turkish, Korean, Traditional Chinese, Thai, Vietnamese, Japanese, Latvian, Lithuanian, Portuguese (Brazil), Ukrainian
General Function	Anti-banding, heartbeat, mirror, privacy mask, password protection, watermark, IP address filter

Heater	Yes
Cable Length	1.3 m (4.27 ft.)
Approval	
EMC	FCC: FCC-SDoC (ANSI C63.4, FCC Part15 sub B) CE: CE-EMC (EN 50130-4:2011+A1:2014, EN 55032:2015, EN 61000-3-2:2014, EN 61000-3-3:2013) RCM: AS/NZS 60950.1:2003 + Am1, Am2 and Am3, AS/NZS CISPR 32:2015 IC: IC-VoC (ICES-003 Issue 7:2020) KC: KN 301489-1, KN 301489-17, RRA NOTICE 2017-14 (2017.12.05), RRA NOTICE 2017-19 (2017.12.28)
Safety	UL: UL 62368-1: 2014, CAN/CSA C22.2 No. 62368:2014 CB: IEC 62368-1:2014 BIS: IS 13252 (Part 1) 2010+A1:2013+A2:2015 LOA: SANS IEC60950-1
Environment	CE: CE-RoHS (RoHS Directive 2011/65/EU+2015/863)
Protection	IP68 (IEC 60529-2013)
Explosion-Proof Protection	ATEX: II 2G Ex db IIC T6 Gb/ II 2D Ex tb IIIC T80°C Db IP68 IECEX: Ex db IIC T6 Gb /Ex tb IIIC T80°C Db IP68 For explosive gas atmospheres, the maximum surface temperature is 85°C; For flammable dust atmospheres, the maximum surface temperature is 80°C; IIC: for explosive gas atmospheres other than mines susceptible to firedamp; For explosive gas mixture atmospheres: Zone 1, Zone 2, Zone 21, Zone 22.

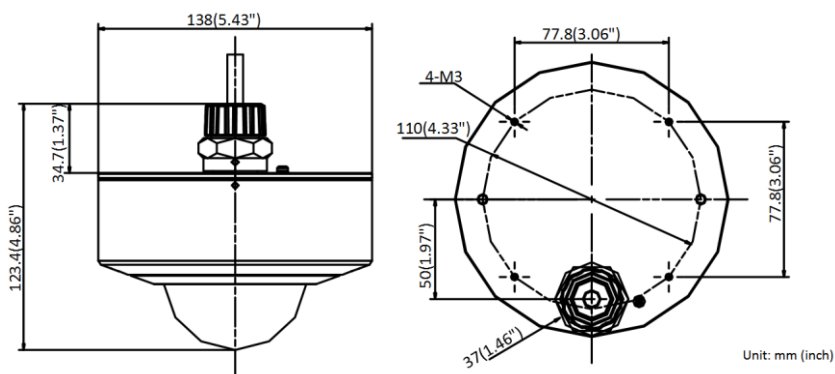
▪ Available Model

DS-2XE6145G0-HS(2.8mm)/304

DS-2XE6145G0-HS(4mm)/304






DS-2XE6145G0-HS(6mm)/304

▪ Dimension



▪ **Accessory**

▪ **Optional**

DS-1677ZJ-XS-1.0(DY) Others	DS-2701ZJ-AC(OS) Anti-corrosion Pendant Mount	DS-1697ZJ-X-AC(OS) Anti-corrosion Pendant Mount	DS-1696ZJ-X-AC(OS) Anti-corrosion Pendant Mount	DS-2781ZJ-X(OS)(O-STD) /316L DS-2781ZJ-X(OS)(O-STD) /316L
				
DS-2780ZJ-X(OS)(O-STD) /316L Junction box				

Headquarters

No.555 Qianmo Road, Binjiang District,
 Hangzhou 310051, China
 T +86-571-8807-5998
 www.hikvision.com



Follow us on social media to get the latest product and solution information.

