

DS-2XE6482F-IZHRS(D) 8 MP Explosion-Proof Network Bullet Camera



- Explosion-proof design: the camera has passed international ATEX & IECEx certifications, and can be used in gas and dust hazardous scenarios
- 316L stainless steel enclosure and anti-corrosion spray treatment, protecting the camera from damage caused by sparks or corrosive materials
- IP68 water resistant, preventing water ingress for outdoor use
- H.265+/H.265/H.264+/H.264 encoding: efficient compression technology saves storage space and reduces bandwidth requirements
- AC 100 V to 240 V wide range power supply: easy to deploy cables and safer compared to a power adapter solution

▪ Specification

Camera	
Image Sensor	1/2" Progressive Scan CMOS
Max. Resolution	3840 × 2160
Min. Illumination	Color: 0.002 Lux @ (F1.2, AGC ON), B/W: 0.0002 Lux @ (F1.2, AGC ON), 0 Lux with IR
Shutter Time	1/3 s to 1/100,000 s
Day & Night	IR cut filter
Lens	
Focus	Auto, Semi-auto, Manual
Lens Type	Varifocal lens, motorized lens, 2.8 to 12 mm and 8 to 32 mm optional
Focal Length & FOV	2.8 to 12 mm, horizontal FOV 94.8° to 38.2°, vertical FOV 50° to 21.4°, diagonal FOV 113° to 43.9° 8 to 32 mm, horizontal FOV 41.8° to 14.9°, vertical FOV 22.9° to 8.5°, diagonal FOV 48.7° to 17.1°
Iris Type	Auto-iris
Aperture	2.8 to 12 mm: F1.4 8 to 32 mm: F1.7
DORI	
DORI	2.8 to 12 mm: D: 6.4 to 220 m, O: 25.4 to 87.3 m, R: 12.8 to 44 m, I: 6.4 to 22 m 8 to 32 mm: D: 218 to 580 m, O: 86.5 to 230 m, R: 43.6 to 116 m, I: 21.8 to 58 m
Illuminator	
Supplement Light Type	IR
Supplement Light Range	2.8 to 12 mm: up to 80 m 8 to 32 mm: up to 150 m
Smart Supplement Light	Yes
IR Wavelength	Up to 850 nm
Video	
Main Stream	50 Hz: 20 fps (3840 × 2160, 3072 × 1728) 25 fps (2688 × 1520, 1920 × 1080, 1280 × 720) 60 Hz: 20 fps (3840 × 2160, 3072 × 1728) 30 fps (2688 × 1520, 1920 × 1080, 1280 × 720)
Sub-Stream	50 Hz: 25 fps (640 × 480, 640 × 360, 320 × 240) 60 Hz: 30 fps (640 × 480, 640 × 360, 320 × 240)
Third Stream	50 Hz: 25 fps (1280 × 720, 640 × 480, 640 × 360, 320 × 240) 60 Hz: 30 fps (1280 × 720, 640 × 480, 640 × 360, 320 × 240)
Video Compression	Main stream: H.265/H.264/H.265+/H.264+ Sub-stream: H.265/H.264/MJPEG Third stream: H.265/H.264
Video Bit Rate	32 Kbps to 8 Mbps
H.264 Type	Baseline Profile, Main Profile, High Profile

H.265 Type	Main Profile
Bit Rate Control	CBR, VBR
Scalable Video Coding (SVC)	H.264 and H.265 encoding
Region of Interest (ROI)	1 fixed region for main stream and sub-stream
Target Cropping	Yes
Audio	
Environment Noise Filtering	Yes
Audio Sampling Rate	8 kHz/16 kHz/32 kHz/44.1 kHz/48 kHz
Audio Compression	G.711/G.722.1/G.726/MP2L2/PCM/MP3/AAC-LC
Audio Bit Rate	64 Kbps (G.711)/16 Kbps (G.722.1)/16 Kbps (G.726)/32 to 192 Kbps (MP2L2)/8 to 320 Kbps (MP3)
Audio Type	Mono sound
Network	
Simultaneous Live View	Up to 6 channels
API	Open Network Video Interface, ISAPI, SDK, ISUP
Protocols	TCP/IP, ICMP, HTTP, HTTPS, FTP, SFTP, DHCP, DNS, DDNS, RTP, RTSP, RTCP, PPPoE, NTP, UPnP, SMTP, SNMP, IGMP, 802.1X, QoS, IPv6, UDP, SSL/TLS
User/Host	Up to 32 users. 3 levels: administrator, operator and user
Network Storage	NAS (NFS, SMB/CIFS), auto network replenishment (ANR) Together with high-end Hikvision memory card, memory card encryption and health detection are supported.
Client	iVMS-4200, Hik-Connect, Hik-Central
Web Browser	Plug-in required live view: IE 8+, Chrome 41.0 to 44, Firefox 30.0 to 51, Safari 8.0 to 11 Plug-in free live view: Chrome 45.0+, Firefox 52.0+ Local service: Chrome 57.0+, Firefox 52.0+ Not recommended: Safari 11+, Edge
Image	
Image Settings	Rotate mode, saturation, brightness, contrast, sharpness, white balance, and AGC adjustable by client software or web browser
Wide Dynamic Range (WDR)	120 dB
Image Stabilization	EIS
Picture Overlay	LOGO picture can be overlaid on video with 128 × 128 24 bit bmp format
Day/Night Switch	Day, Night, Auto, Schedule
Image Enhancement	BLC, HLC, 3D DNR, Defog
Image Parameters Switch	Yes
SNR	≥ 50 dB
Privacy Mask	8 programmable polygon privacy masks
Interface	
Video Output	1 Vp-p Composite Output (75 Ω/BNC)
Ethernet Interface	1 RJ45 10 M/100 M self-adaptive Ethernet port
On-Board Storage	Built-in memory card slot, support microSD/microSDHC/microSDXC card, up to 256 GB *You are recommended to purchase memory card together with the product if needed. After ordering, the memory card will be installed to product during manufacturing.
Audio	1 input (line in), 1 output (line out)

Alarm	2 inputs, 2 outputs (max. 24 VDC, 1 A or 110 VAC, 500 mA)
Event	
Basic Event	Motion detection (support alarm triggered by specified target types (human and vehicle)), video tampering alarm, exception (network disconnected, IP address conflict, illegal login, HDD full, HDD error)
Smart Event	Line crossing detection, intrusion detection, region entrance detection, region exiting detection (support alarm triggered by specified target types (human and vehicle)) Scene change detection, audio exception detection
Linkage	Upload to FTP/NAS/memory card, notify surveillance center, send email, trigger alarm output, trigger recording, trigger capture
General	
Power	100 VAC to 240 VAC, 0.38 A to 0.18 A, max. 22.6 W, three-core terminal block PoE: IEEE 802.3at, 42.5 V to 57 V, 0.56 A to 0.42 A, max. 23.6 W
Material	316L + Anti-corrosion coating
Dimension	513.2 mm × 169 mm × 308 mm (20.2" × 6.65" × 12.13")
Package Dimension	753 mm × 313 mm × 424 mm (29.65" × 12.32" × 16.69")
Weight	Appox. 17.42 kg (38.40 lb.)
With Package Weight	Appox. 19.80 kg (43.65 lb.)
Storage Conditions	-30 °C to 60 °C (-22 °F to 140 °F). Humidity 95% or less (non-condensing)
Startup and Operating Conditions	-40 °C to 60 °C (-40 °F to 140 °F). Humidity 95% or less (non-condensing)
Language	33 languages: English, Russian, Estonian, Bulgarian, Hungarian, Greek, German, Italian, Czech, Slovak, French, Polish, Dutch, Portuguese, Spanish, Romanian, Danish, Swedish, Norwegian, Finnish, Croatian, Slovenian, Serbian, Turkish, Korean, Traditional Chinese, Thai, Vietnamese, Japanese, Latvian, Lithuanian, Portuguese (Brazil), Ukrainian
Heater	Yes
Wiper	Yes
Cable Length	1.1 m (3.61 ft.)
General Function	Anti-banding, heartbeat, mirror, flash log, password reset via email, pixel counter
Approval	
EMC	FCC: FCC-SDoC (ANSI C63.4, FCC Part15 sub B) CE: CE-EMC (EN 50130-4: 2011+A1: 2014, EN 55032: 2015, EN 61000-3-2: 2014, EN 61000-3-3: 2013) IC: IC-VoC (ICES-003 Issue 7: 2020) KC: KN 301489-1, KN 301489-17, RRA NOTICE 2017-14 (2017.12.05), RRA NOTICE 2017-19 (2017.12.28)
Safety	CB: IEC 60950-1 CE: CE-LVD (EN 60950-1: 2006+A11: 2009+A1: 2010+A12: 2011+A2: 2013) LOA: SANS IEC60950-1
Environment	CE: CE-RoHS (RoHS Directive 2011/65/EU+2015/863)
Protection	IP68: IEC 60529-2013

Explosion-Proof Protection	<p>ATEX: II 2 G Ex db op is IIC T6 Gb/ II 2D Ex tb op is IIIC T80°C Db</p> <p>IECEX: Ex db IIC T6 Gb /Ex tb IIIC T80°C Db</p> <p>For explosive gas atmospheres, the maximum surface temperature is 85°C;</p> <p>For flammable dust atmospheres, the maximum surface temperature is 80°C;</p> <p>IIC: for explosive gas atmospheres other than mines susceptible to firedamp;</p> <p>For explosive gas mixture atmospheres: Zone 1, Zone 2, Zone 21, Zone 22.</p>
----------------------------	--

▪ Typical Application

Hikvision products are classified into three levels according to their anti-corrosion performance. Refer to the following description to choose for your using environment.

This model has TOP-LEVEL PROTECTION.

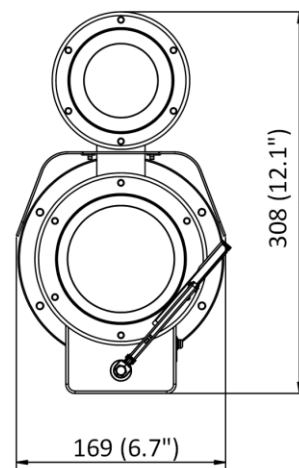
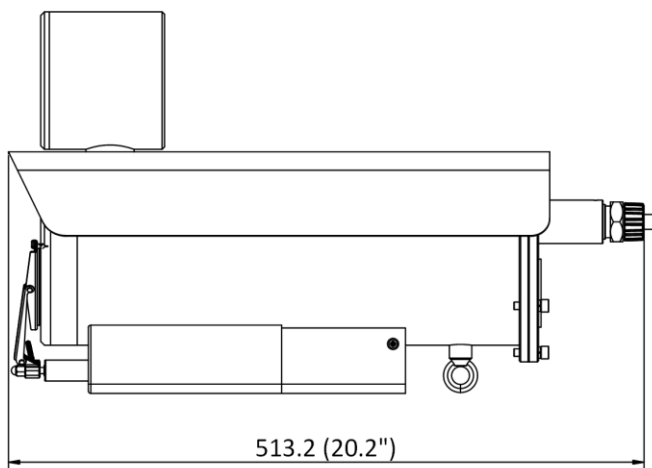
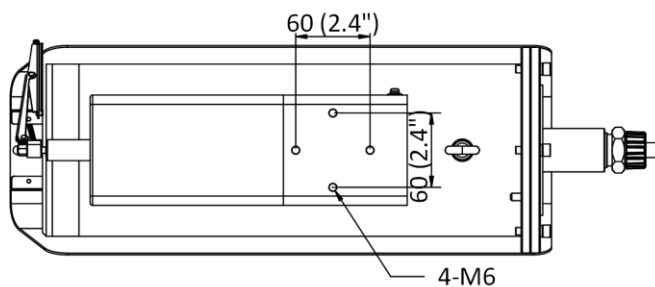
Level	Description
Top-level protection	Hikvision products at this level are equipped for use in areas where professional anti-corrosion protection is a must. Typical application scenarios include coastlines, docks, chemical plants, and more.
Moderate protection	Hikvision products at this level are equipped for use in areas with moderate anti-corrosion demands. Typical application scenarios include coastal areas about 2 kilometers (1.24 miles) away from coastlines, as well as areas affected by acid rain.
No specific protection	Hikvision products at this level are equipped for use in areas where no specific anti-corrosion protection is needed.

▪ Available Model

DS-2XE6482F-IZHRS(2.8-12mm)(D)

DS-2XE6482F-IZHRS(8-32mm)(D)

▪ **Dimension**



Unit: mm (inch)

▪ **Accessory**

▪ **Optional**

DS-1677ZJ-XS-1.0(DY) Others	DS-1707ZJ-Y-AC(OS) Wall mount	DS-2780ZJ-X(OS)(O-STD) /316L Junction box
		

Headquarters

No.555 Qianmo Road, Binjiang District,
Hangzhou 310051, China
T +86-571-8807-5998
www.hikvision.com



Follow us on social media to get the latest product and solution information.

