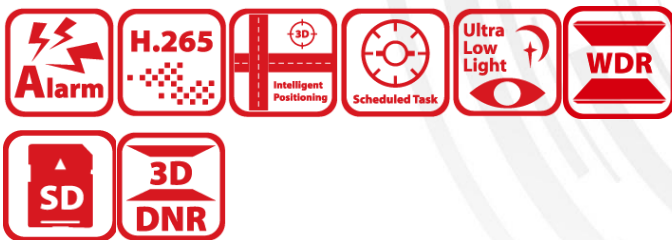


DS-2DP8A845IXG-LF/864(F0) 360° Stitched 64 MP PanoVu Camera with PTZ



Hikvision DS-2DP8A845IXG-LF/864(F0) 360° Stitched 64 MP PanoVu Camera with PTZ is able to capture panoramic images as well as close-up images. The panoramic images are captured by 8 sensors for 360° panorama monitoring. The integration of two cameras can locate the details fast over expansive area. Furthermore, with advanced video analysis and multiple targets tracking algorithms, the PanoVu camera features a wide range of smart functions for multiple targets within the panoramic view, including intrusion detection, line crossing detection, region entrance detection, and region exiting detection. The camera can output alarm signals and link the PTZ for tracking to improve the security efficiency. This product is suitable for the application scenarios that require expansive monitoring and detail capture, such as airports, stations, stadiums, playgrounds, scenic areas, and public squares.

- High quality imaging with 64 MP resolution, up to 8160 × 3616 @30 fps for panoramic channels
- Excellent low-light performance with DarkFighter technology
- 45x optical zoom and 16 × digital zoom provide close up views over expansive areas
- Expansive night view with up to 250 m IR distance
- With one click on the panoramic channel, the PTZ channel shows the details automatically
- Continuous and stable manual tracking, auto-tracking, and panorama tracking
- Automatic switch between multiple targets
- Supports 7 alarm inputs, 2 alarm outputs, 1 audio input, and 1 audio output
- Supports AR multi-dimensional arming based on professional platform

▪ Specification

| Camera | |
|------------------------|--|
| Image Sensor | [Panoramic channel]: 1/1.8" progressive scan CMOS, [PTZ channel]: 1/1.8" progressive scan CMOS |
| Min. Illumination | [Panoramic channel] Color: 0.0005 Lux (F1.0, AGC ON), B/W: 0.0001 Lux (F1.0, AGC ON); [PTZ channel]: 0.0005 Lux (F1.5, AGC ON), B/W: 0.0001 Lux (F1.5, AGC ON), 0 Lux with IR |
| Shutter Speed | 1 s to 1/30000 s |
| Slow Shutter | Yes |
| Day & Night | IR cut filter |
| White Balance | auto,ATW,sodium lamp,fluorescent lamp,indoor,outdoor,MWB,Locked WB,null |
| Zoom | [PTZ channel] 45x optical, 16x digital |
| Max. Resolution | 8160 × 3616 |
| Lens | |
| Focus | Auto, semi-auto, manual, rapid focus |
| Focal Length | [panoramic channel] 2.8 mm; [PTZ channel] 7.1~320 mm |
| Zoom Speed | [panoramic channel] no, [PTZ channel] approx. 7.8 s |
| FOV | [panoramic channel] Horizontal field of view: 180° Vertical field of view: 85° [PTZ channel] Horizontal field of view: 56.1° to 2.0° (Wide-Tele) Vertical field of view: 33.4° to 1.1° (Wide-Tele) Diagonal field of view: 62.9° to 2.3° (Wide-Tele) |
| Aperture | [panoramic channel] F1.0, [PTZ channel] F1.5 |
| Illuminator | |
| Supplement Light Type | Laser |
| Supplement Light Range | Up to 500 m |
| Smart Supplement Light | Yes |
| PTZ | |
| Movement Range (Pan) | 360° |
| Movement Range (Tilt) | -15° to 90° (auto flip) |
| Pan Speed | Pan speed: configurable from 0.1° to 210°/s; preset speed: 240°/s |
| Tilt Speed | Tilt speed: configurable from 0.1° to 150°/s, preset speed 200°/s |
| Proportional Pan | [Panoramic channel]: no; [PTZ channel]: yes |
| Presets | 300 |
| Patrol Scan | 8 patrols, up to 32 presets for each patrol |
| Pattern Scan | 4 pattern scans, record time over 10 minutes for each scan |
| Power-off Memory | Yes |
| Park Action | Preset, pattern scan, patrol scan, auto scan, tilt scan, random scan, frame scan, panorama scan |
| 3D Positioning | Yes |
| PTZ Status Display | Yes |
| Preset Freezing | Yes |

| | |
|--------------------------|---|
| Scheduled Task | Preset, pattern scan, patrol scan, auto scan, tilt scan, random scan, frame scan, panorama scan, dome reboot, dome adjust, aux output |
| Video | |
| Main Stream | [Panoramic channel]: 50 Hz: 25 fps (32M: 8160 × 3616 × 2, 5520 × 2400 × 2, 8M: 4096 × 1800 × 2, 3840 × 1680 × 2, 2720 × 1192 × 2); 60 Hz: 30 fps (32M: 8160 × 3616×2, 5520 × 2400 × 2, 8M: 4096 × 1800 × 2, 3840 × 1680 × 2, 2720 × 1192 × 2) [PTZ channel]: 50 Hz: 25 fps (3840 × 2160, 2560 × 1440, 1920 × 1080, 1280 × 960, 1280 × 720) 60 Hz: 24 fps (3840 × 2160, 2560 × 1440, 1920 × 1080, 1280 × 960, 1280 × 720) |
| Sub-Stream | [Panoramic channel]: 50 Hz: 25 fps (32M: 1560 × 656 × 2, 704 × 320 × 2, 8M: 704 × 320 × 2,512 × 232 × 2) 60 Hz: 30 fps (32M: 1560 × 656 × 2, 704 × 320 × 2, 8M: 704 × 320 × 2,512 × 232 × 2) [PTZ channel]: 50 Hz:25 fps (704 × 576, 640 × 480, 352 × 288); 60 Hz:24 fps (704 × 480, 640 × 480, 352 × 240) |
| Third Stream | [PTZ channel]: 50 Hz: 25 fps (1920 × 1080, 1280 × 960, 1280 × 720, 704 × 576, 640 × 480, 352 × 288) 60 Hz: 24 fps (1920 × 1080, 1280 × 960, 1280 × 720, 704 × 480, 640 × 480, 352 × 240) |
| Video Compression | Main stream: H.265+/H.265/H.264+/H.264 Sub-stream: H.265/H.264/MJPEG Third stream: H.265/H.264/MJPEG |
| Audio | |
| Audio Compression | G.711alaw, G.711ulaw, G.722.1, G.726, MP2L2, AAC, PCM |
| Audio Sampling Rate | PCM: 8 kHz, 16 kHz, 32 kHz, 48 kHz; MP2L2: 16 kHz, 32 kHz, 48 kHz; AAC: 16 kHz, 32 kHz, 48 kHz |
| Smart Features | |
| Smart Encoding | H.265+, H.264+, low bit rate, ROI, SVC |
| Network | |
| Network Storage | NAS (NFS, SMB/CIFS), ANR |
| Protocols | IPv4/IPv6, HTTP, HTTPS, 802.1x, QoS, FTP, SMTP, UPnP, SNMP, DNS, DDNS, NTP, RTSP, RTCP, RTP, TCP/IP, UDP, IGMP, ICMP, DHCP, PPPoE, Bonjour |
| API | Open Network Video Interface (Profile S, Profile G, Profile T), ISAPI, SDK, ISUP |
| Simultaneous Live View | Up to 20 channels |
| User/Host | Up to 32 users. 3 user levels: administrator, operator, and user |
| Security | Authenticated username and password, MAC address binding, HTTPS encryption, 802.1X authenticated access, IP address filter |
| Client | iVMS-4200, HikCentral Pro, Hik-Connect |
| Web Browser | IE10-11, Chrome 57+, Firefox 52+, Safari 12+ |
| Image | |
| Day/Night Switch | Day, night, auto, scheduled-switch |
| Image Enhancement | BLC, HLC, 3D DNR |
| Wide Dynamic Range (WDR) | [Panoramic channel] digital WDR, [PTZ channel] 120 dB |
| Defog | [Panoramic channel]: no; [PTZ channel]: optical defog |
| Image Stabilization | OIS, EIS |

| | |
|-------------------------------|---|
| Regional Exposure | Yes |
| Regional Focus | Yes |
| Image Settings | Saturation, brightness, contrast, sharpness, gain, and white balance adjustable by client software or web browser |
| Image Parameters Switch | Yes |
| Privacy Mask | Programmable polygon privacy masks (8 for panoramic channel, 24 for PTZ channel), mask color or mosaic configurable |
| SNR | ≥ 55 dB |
| Interface | |
| Ethernet Interface | 1 RJ45 10M/100M/1000M self-adaptive Ethernet port |
| Fiber Optical | 1 FC interface, built-in fiber module, 1000M, TX1310/RX1550 nm wavelength, single module fiber, up to 20 km transmission distance |
| On-board Storage | Built-in memory card slot, support microSD/microSDHC/microSDXC cards, up to 256 GB |
| Alarm | 7 alarm inputs, 2 alarm outputs |
| Audio | 1 input (line in), max. input amplitude: 2-2.4 vpp, input impedance: 1 KΩ ± 10%; 1 output (line out), line level, output impedance: 600 Ω |
| RS-485 | 1 RS-485 (Half duplex, HIKVISION, Pelco-P, Pelco-D, self-adaptive) |
| Reset | Yes |
| Event | |
| Smart Event | Intrusion detection, line crossing detection, region entrance detection, region exiting detection, unattended baggage detection, object removal detection, face capture |
| Smart Tracking | Manual tracking, auto-tracking, panorama tracking. Support patrol tracking among multiple detection scenes |
| Alarm Linkage | memory card video recording, alarm output, sending email, notify surveillance center, upload to FTP, NAS video recording, audible warning |
| General | |
| Power | 36 VDC |
| Power Consumption and Current | max. 135 W, including max. 12 W for IR |
| Operating Condition | Temperature: -40°C to 70°C (-40°F to 158°F), Humidity: ≤ 95% |
| Wiper | No |
| Demist | Yes |
| Material | ADC12 |
| Dimension | ∅ 433.5 mm x 430.4 mm (∅ 17.07" x 16.94") |
| Weight | Approx. 18 kg (39.68 lb.) |
| Approval | |
| Safety | UL (UL 62368-1); CB (IEC 62368-1: 2014+A11); CE-LVD (EN 62368-1:2014/A11:2017); |
| Environment | CE-RoHS (2011/65/EU); WEEE (2012/19/EU); Reach (Regulation (EC) No 1907/2006) |
| Protection | IP67 Standard, Lightning Protection, Surge Protection and Voltage Transient Protection, ±6kV Line to Gnd, ±3kV Line to Line, IEC61000-4-5, IK10 |

▪ DORI

The DORI (detect, observe, recognize, identify) distance gives the general idea of the camera ability to distinguish

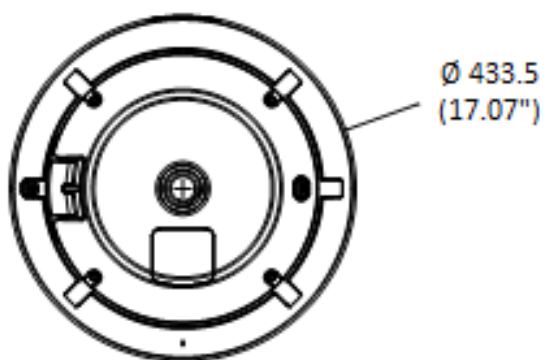
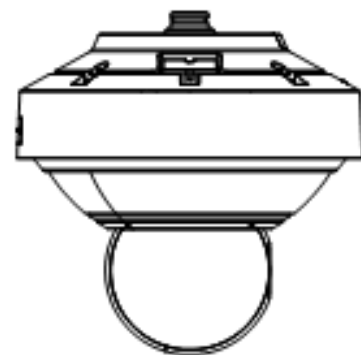
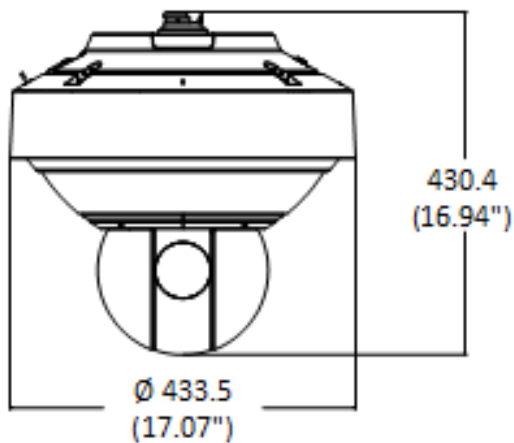
persons or objects within its field of view. It is calculated based on the camera sensor specification and the criteria given by EN 62676-4: 2015.

| DORI | Detect | Observe | Recognize | Identify |
|----------------------------------|------------------------|-----------------------|----------------------|----------------------|
| Definition | 25 px/m | 63 px/m | 125 px/m | 250 px/m |
| [Panoramic channel] Distance | 56 m (183.7 ft.) | 22.2 m (72.8 ft.) | 11.2 m (36.7 ft.) | 5.6 m (18.4 ft.) |
| [PTZ channel] Distance (Tele) | 3310.3 m (10860.6 ft.) | 1313.6 m (4309.7 ft.) | 662.1 m (2172.2 ft.) | 331.0 m (1086.0 ft.) |

▪ **Available Model**

DS-2DP8A845IXG-LF/864(F0)

▪ **Dimension**



Unit: mm (inch)

▪ **Accessory**

▪ Optional

| DS-1603ZJ-P Wall Mount | DS-1603ZJ-Pole-P Vertical Pole Mount | DS-1668ZJ(20) Pendant Mount | DS-1668ZJ-P Installation Adapter |
|---|---|---|---|
|  |  |  |  |

Headquarters

No.555 Qianmo Road, Binjiang District,
Hangzhou 310051, China
T +86-571-8807-5998
www.hikvision.com



Follow us on social media to get the latest product and solution information.

