

DS-2XS3Q47G1-LDW(H)/C18S40

4 MP ColorVu Solar-powered Security PT Camera Setup



- High quality imaging with 4 MP resolution
- Standalone with solar panel and built-in battery
- 24/7 colorful imaging
- Efficient H.265+ compression technology
- Provide real-time security via built-in two-way audio
- Support Network Bridge P2P communication

▪ Specification

Camera	
Image Sensor	1/3" Progressive Scan CMOS
Max. Resolution	2560 × 1440
Min. Illumination	Color: 0.0005 Lux @ (F1.0, AGC ON), 0 Lux with light
Shutter Time	1/3 s to 1/100,000 s
Day & Night	24/7 color imaging
Angle Adjustment	Solar panel: pan: 0° to 358°, tilt: -40° to 0°; camera: pan: 0° to 340°, tilt: -5° to 105°
Lens	
Lens Type	Fixed focal lens, 2.8, 4, and 6 mm optional
Focal Length & FOV	2.8 mm, horizontal FOV 96°, vertical FOV 52°, diagonal FOV 113° 4 mm, horizontal FOV 76°, vertical FOV 41°, diagonal FOV 89° 6 mm, horizontal FOV 50°, vertical FOV 27°, diagonal FOV 58°
Lens Mount	M12
Iris Type	Fixed
Aperture	F1.0
Depth of Field	2.8 mm: 2 m to ∞ 4 mm: 2.7 m to ∞ 6 mm: 5.9 m to ∞
PTZ	
Movement Range (Pan)	0° to 340°
Movement Range (Tilt)	-5° to 105°
Pan Speed	Configurable from 4° to 21°/s
Tilt Speed	Configurable from 4° to 19°/s
DORI	
DORI	2.8 mm, D: 64 m, O: 25 m, R: 12 m, I: 6 m 4 mm, D: 82 m, O: 32 m, R: 16 m, I: 8 m 6 mm, D: 120 m, O: 47 m, R: 24 m, I: 12 m
Illuminator	
Supplement Light Type	White Light
Supplement Light Range	Up to 30 m
Smart Supplement Light	Yes
Video	
Main Stream	50 Hz: 12.5 fps (2560 × 1440, 1920 × 1080, 1280 × 720) 60 Hz: 15 fps (2560 × 1440, 1920 × 1080, 1280 × 720)
Sub-Stream	50 Hz: 12.5 fps (1280 × 720, 640 × 480, 640 × 360) 60 Hz: 15 fps (1280 × 720, 640 × 480, 640 × 360)
Video Compression	Main stream: H.265/H.264, Sub-stream: H.265/H.264/MJPEG, H.264+ and H.265+: main stream supports under performance mode
Video Bit Rate	32 Kbps to 8 Mbps
H.264 Type	Baseline Profile, Main Profile, High Profile
H.265 Type	Main Profile
Bit Rate Control	CBR, VBR
Region of Interest (ROI)	1 fixed region for main stream

Scalable Video Coding (SVC)	H.264 and H.265 encoding
Audio	
Audio Sampling Rate	8 kHz/16 kHz
Environment Noise Filtering	Yes
Audio Compression	G.711/G.722.1/G.726/MP2L2/PCM/AAC-LC
Audio Bit Rate	64 Kbps (G.711ulaw/G.711alaw)/16 Kbps (G.722.1)/16 Kbps (G.726)/32 to 192 Kbps (MP2L2)/16 to 64 Kbps (AAC-LC)
Network	
Security	Password protection, complicated password, basic and digest authentication for HTTP, TLS 1.1/1.2/1.3, WSSE and digest authentication for Open Network Video Interface
Simultaneous Live View	Up to 6 channels
API	Open Network Video Interface (Profile S, Profile G, Profile T), ISAPI, SDK, ISUP
Protocols	TCP/IP, ICMP, HTTP, DHCP, DNS, RTP, RTSP, RTCP, NTP, IGMP, QoS, UDP
User/Host	Up to 32 users 3 user levels: administrator, operator, and user
Network Storage	Auto Network Replenishment (ANR)
Client	iVMS-4200, Hik-Connect, Hik-Central
Web Browser	Plug-in required live view: IE 10, IE 11, Local service: Chrome 57.0+, Firefox 52.0+, Edge 89+
Wi-Fi	
Encryption Mode	64/128-bit WEP, WPA-EAP/WPA2-EAP, WPA-PSK/WPA2-PSK, WPS
Wi-Fi Protocol	IEEE802.11g, IEEE802.11b, IEEE802.11n
Frequency Range	2.4 GHz to 2.4835 GHz
Channel Bandwidth	20/40 MHz
Modulation	802.11b: CCK, QPSK, BPSK, 802.11g: OFDM, 802.11n: OFDM
Transfer Rate	11b: up to 11 Mbps, 11g: up to 54 Mbps, 11n: up to 150 Mbps
Wireless Range	Up to 1000 m (The performance varies based on actual environment)
Antenna	1 Antenna
Image	
SNR	≥ 52 dB
Wide Dynamic Range (WDR)	Digital WDR
Privacy Mask	4 programmable polygon privacy masks
Day/Night Switch	Day, Night, Auto, Schedule
Image Enhancement	BLC, HLC, 3D DNR
Image Settings	Rotate mode, saturation, brightness, contrast, sharpness, gain, white balance, adjustable by client software or web browser
Transducer	
Detection Angle	Horizontal: 80°, vertical: 40°
Detection Range	Up to 7 m
Interface	
Ethernet Interface	1 RJ45 10 M/100 M self-adaptive Ethernet port
On-Board Storage	Built-in eMMC storage, up to 64 GB, Built-in memory card slot, support microSD/microSDHC/microSDXC card, up to 512 GB
Built-in Microphone	Yes

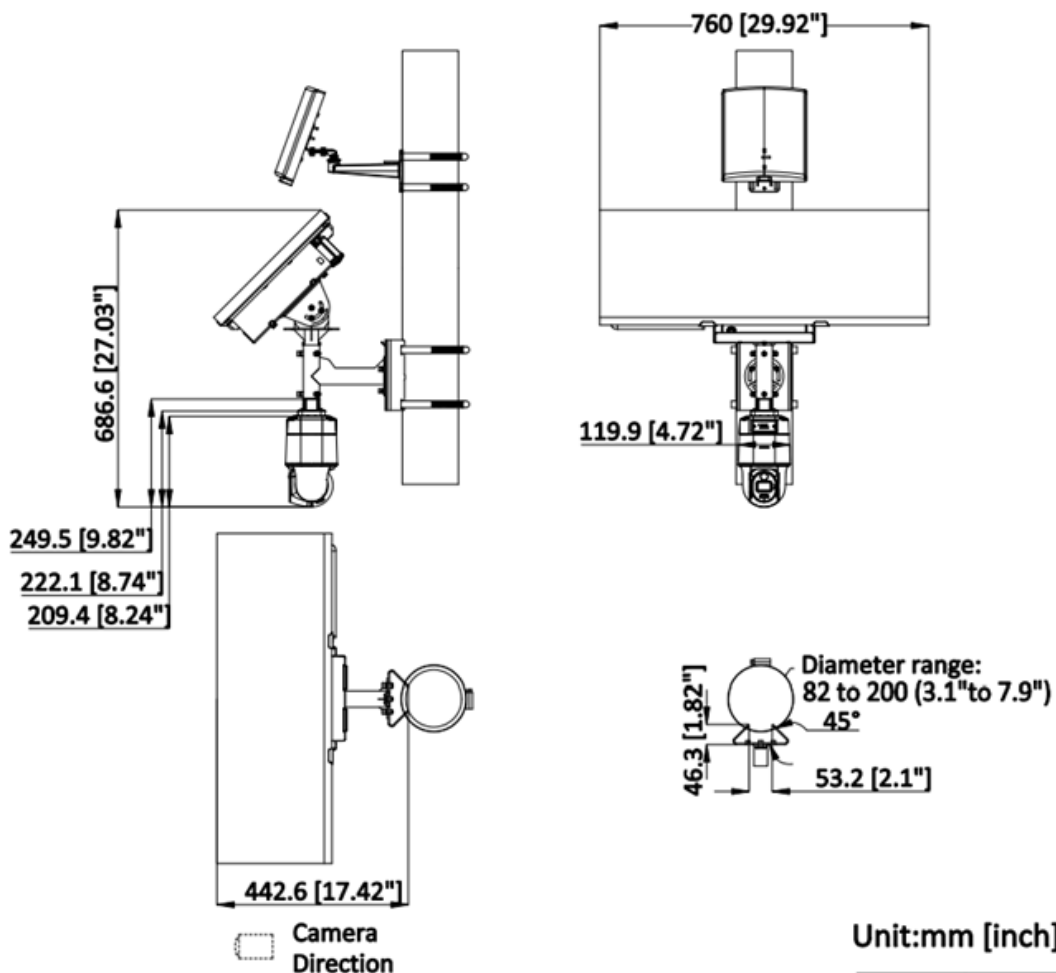
Built-in Speaker	Max. power consumption: 1.5 W, max. sound pressure level: 10 cm: 97 dB.
Reset Key	Yes
Indicator	Yes
Event	
Basic Event	Motion detection, video tampering alarm, network disconnected, IP address conflict, illegal login, HDD full, HDD error
Linkage	Upload to memory card, notify surveillance center, trigger recording, trigger capture, audible warning
General	
Power	12 VDC \pm 25%, 1 A, max. 12 W
Dimension	686.6 mm \times 442.6 mm \times 760 mm (27.03" \times 17.42" \times 29.92")
Package Dimension	902 mm \times 342 mm \times 440 mm (35.51" \times 13.46" \times 17.32")
Weight	Approx. 13.30 kg (29.3 lb.)
With Package Weight	Approx. 16.65 kg (36.7 lb.)
Storage Conditions	-20 $^{\circ}$ C to 50 $^{\circ}$ C (-4 $^{\circ}$ F to 122 $^{\circ}$ F). Humidity 95% or less (non-condensing)
Startup and Operating Conditions	With -H: -20 $^{\circ}$ C to 50 $^{\circ}$ C (-4 $^{\circ}$ F to 122 $^{\circ}$ F). Humidity 95% or less (non-condensing), Without -H: 0 $^{\circ}$ C to 60 $^{\circ}$ C (32 $^{\circ}$ F to 140 $^{\circ}$ F). Humidity 95% or less (non-condensing)
Language	English, Ukrainian
General Function	Heartbeat, mirror, flash log
Flashing Light	Yes
Battery	
Battery Type	Lithium
Battery Voltage	9 V to 12.6 V
Capacity	8.4 Ah \times 2 packs
Max. Charging Voltage	18 to 24 V
Max. Output Voltage	12.6 V
Operating Temperature	With -H: Charging: -20 $^{\circ}$ C to 45 $^{\circ}$ C (-4 $^{\circ}$ F to 113 $^{\circ}$ F) Discharging: -20 $^{\circ}$ C to 60 $^{\circ}$ C (-4 $^{\circ}$ F to 140 $^{\circ}$ F) Without -H model: Charging: 0 $^{\circ}$ C to 45 $^{\circ}$ C (32 $^{\circ}$ F to 113 $^{\circ}$ F) Discharging: -20 $^{\circ}$ C to 60 $^{\circ}$ C (-4 $^{\circ}$ F to 140 $^{\circ}$ F)
Cycle Lifetime	Performance mode: 3.6 days, Proactive mode: 6 days, Standby mode: 30 days
Battery Life	More than 500 cycles
Battery Weight	Approx. 1400 g (3.1 lb.)
Extended Dimension	84 mm \times 221 mm \times 37.3 mm (3.31" \times 8.70" \times 1.47")
Approval	
RF	CE-RED: 2014/53/EU
EMC	CE-EMC: EN 55032:2015+A11:2020+A1:2020 EN 50130-4:2011+A1:2014; RCM: AS/NZS CISPR 32: 2015
Safety	CB IEC: 62368-1:2014; CE-LVD: EN 62368-1: 2014+A11: 2017; LOA: SANS IEC 60950

Environment	CE-RoHS: 2011/65/EU, WEEE: 2012/19/EU, Reach: Regulation (EC) No 1907/2006
Protection	IP65: IEC 60529-2013

▪ **Available Model**

- DS-2XS3Q47G1-LDWH/C18S40(4mm)
- DS-2XS3Q47G1-LDWH/C18S40(6mm)
- DS-2XS3Q47G1-LDWH/C18S40(2.8mm)
- DS-2XS3Q47G1-LDW/C18S40(4mm)
- DS-2XS3Q47G1-LDW/C18S40(6mm)
- DS-2XS3Q47G1-LDW/C18S40(2.8mm)

▪ **Dimension**



Headquarters

No.555 Qianmo Road, Binjiang District,
Hangzhou 310051, China
T +86-571-8807-5998
www.hikvision.com

Follow us on social media to get the latest product and solution information.

