

DS-D5B75RB/C Interactive Flat Panel



The Conference Flat Panel (hereafter referred to as the “device”) integrates functions of computers, projectors, interactive whiteboards, sound boxes, cameras (5MP), NFC, HDTVs, advertising machines and so on. The device integrates technologies like 4K display, infrared touch, human-machine interaction, multi-media information processing, and network transmission and provides users with various features such as writing, annotating, multi-screen sharing, pen detection and remote video call (optional). The Conference Flat Panel is mainly used for remote video conferences, trainings and guidance, medical consulting, and other events in kinds of offices, meeting rooms, multi-media classrooms, exhibition halls and so on.

- The distance between the tempered glass and the screen is close to 0, which preventing the reflection of light effectively, showing excellent effect and excellent writing experience
- Built-in Wi-Fi projection without any cable connection.
- All-channel annotating, built-in Android writing software.
- Looping-out display available.
- Various audio and video interfaces for device access.
- Built-in network switch chip saves a network switch.
- Built-in Android system provides kinds of applications.
- Compatible with OPS/OPS-C devices, realizing smooth switch between built-in systems.
- Writing height below 2mm to bring smoother writing experience.

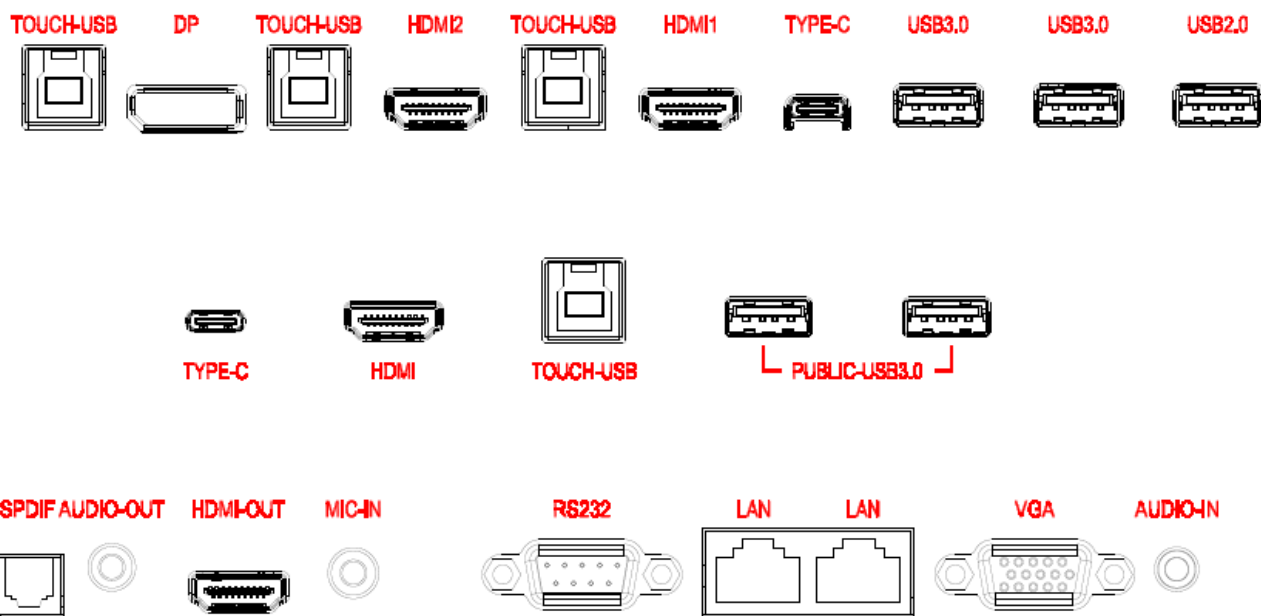
▪ Specification

Product Model	
Product Model	DS-D5B75RB/C
Display	
Screen Size	75 inch LED Backlight
Backlight	DLED
Pixel Pitch	0.430 (H) × 0.430 (V) mm
Resolution	3840 × 2160@60 Hz
Brightness	350 cd/m ²
Color Depth	1.07B(8bit+FRC)
Contrast Ratio	1200 : 1
Response Time	6 ms
Color Gamut	72% (Typ.)
Refresh Rate	60 Hz
Viewing Angle	178° (H) / 178° (V)
Built-in System	
Operation System	Android 11
Processor	A73*4 + A53*4
Memory	4 GB
Built-in Storage	64 GB
NIC	Built-in 1000 Mbps NIC, supporting routing; IEEE 802.11 a/b/g/n/ac with 2 × 2 MIMO, supporting both 2.4 GHz and 5GHz bands
Touch	
Type	Infrared touch screen
Glass	AG smooth glass
Touch Point	Max 45 point multi-touch
Touch Response Time	≤ 8 ms
Touch Precision	± 1 mm (≥ 90% touching area)
Internal Function	
Loudspeaker	Built-in 2 × 16 W loudspeaker
Bluetooth	Built-in BLE (Bluetooth Low Energy) module supports Bluetooth 5.0 and previous version
Interface	
Video & Audio Input	HDMI IN × 3 (MAX 4K @60 Hz) ,DP IN × 1 (MAX 4K @60 Hz) ,VGA IN × 1 (MAX 1080P @60 Hz) , LINE IN × 1 ,AUDIO IN × 1
Video & audio output	HDMI OUT (HDMI 2.0, MAX 4K @60 Hz) × 1 ,AUDIO OUT × 1
Control interface	RS-232 × 1, Touch-USB × 4
Network Interface	RJ45 (1000 Mbps port) × 2
Data Transmission Interface	USB-C × 2, USB-A × 2 on front panel, USB-A × 3 on rear panel
Touch Control	USB-A × 4

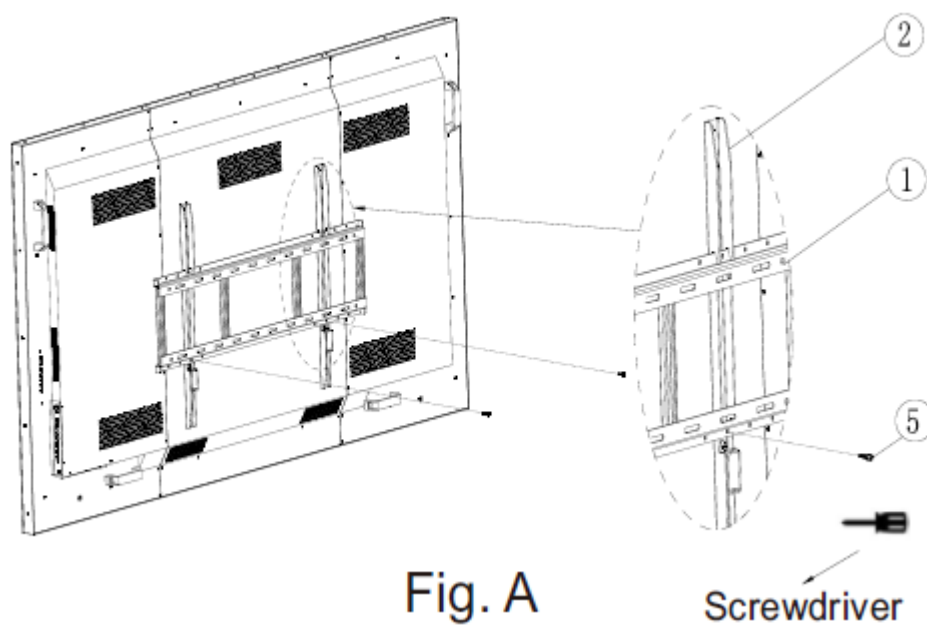
Power	
Power Consumption	≤ 380 W (full load)
Standby Consumption	0.5 W
Working Environment	
Working Temperature	0 °C to 40 °C (32 °F to 104 °F)
Working Humidity	20% to 80% RH
General	
Power	100 to 240 V, AC, 50/60 Hz
Product dimensions	1722 × 1023 × 87.4 mm
Package Dimensions (W × H × D)	1880 × 1160 × 280 mm
Net Weight	50.5 kg
Gross Weight	68 kg
Lifespan	50000 hours

▪ Physical Interface

Interface	Description	Interface	Description
1.TOUCH-USB	Peripheral Touch Interface	2.DP	DP Input Interface
3.TOUCH-USB	Peripheral Touch Interface	4.HDMI	HDMI Input Interface
5.TOUCH-USB	Peripheral Touch Interface	6.HDMI	HDMI Input Interface
7.Type C	Type-C Input Interface	8.USB 3.0	USB 3.0 Interface
9.USB 3.0	USB 3.0 Interface	10.USB 2.0	USB 2.0 Interface
Interface	Description	Interface	Description
1.Type C	Type-C Input Interface	2.HDMI	HDMI Input Interface
3.TOUCH-USB	Peripheral Touch Interface	4.Public-USB 3.0	Public-USB 3.0 Interface
Interface	Description	Interface	Description
1.SPDI F	SPDI F Interface	2.Audio-Out	Audio-Out Interface
3.HDMI OUT	HDMI Output Interface	4.MIC-IN	MIC-IN Interface
5.RS232	RS232 Interface	6.LAN 1	Ethernet Interface 1
7.LAN 2	Ethernet Interface 2	8.VGA	
3.Audio-IN	Audio-IN Interface		



• Installation



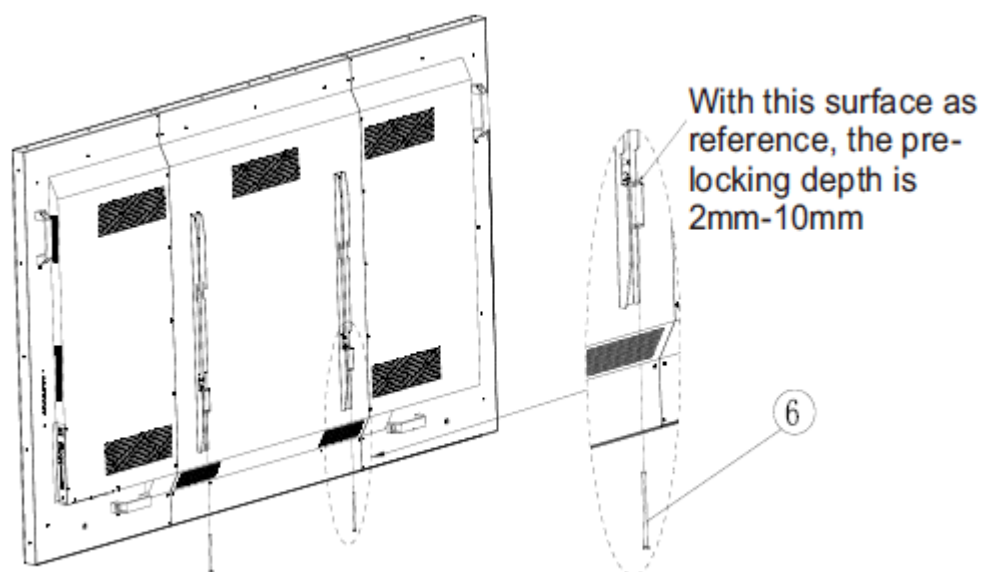


Fig. B

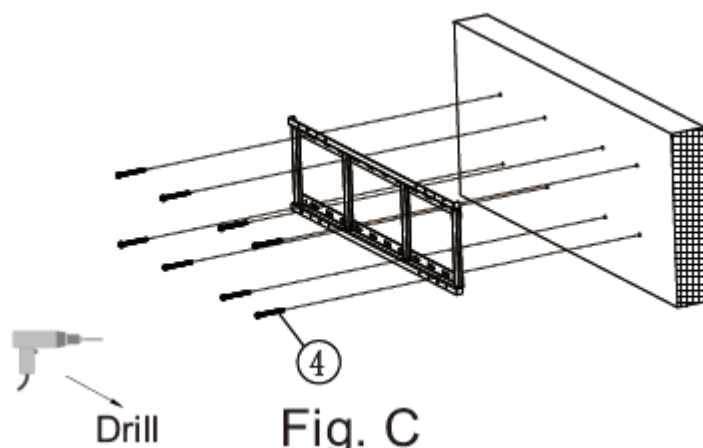


Fig. C

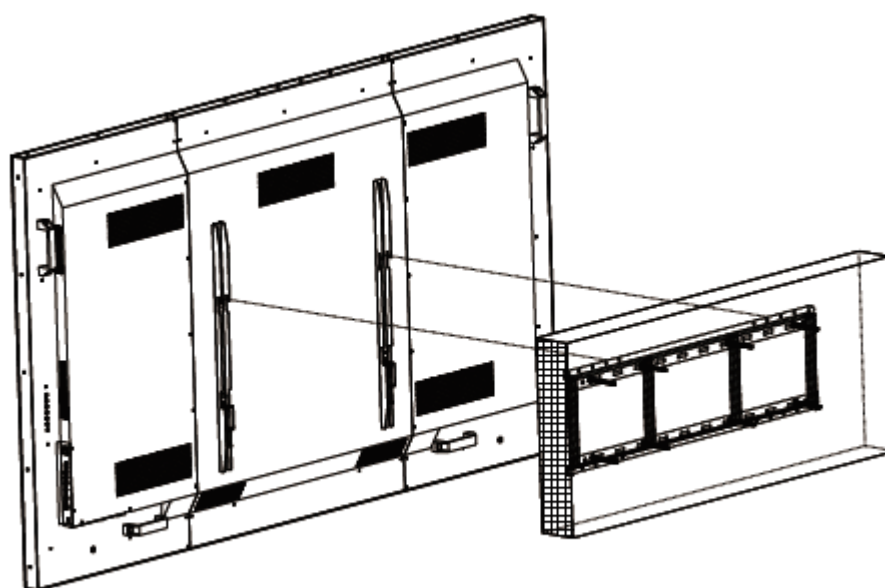
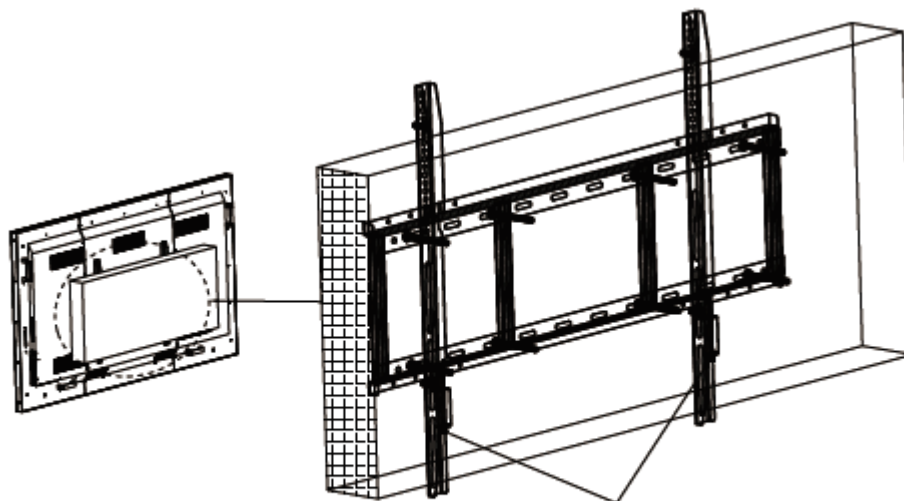


Fig. D



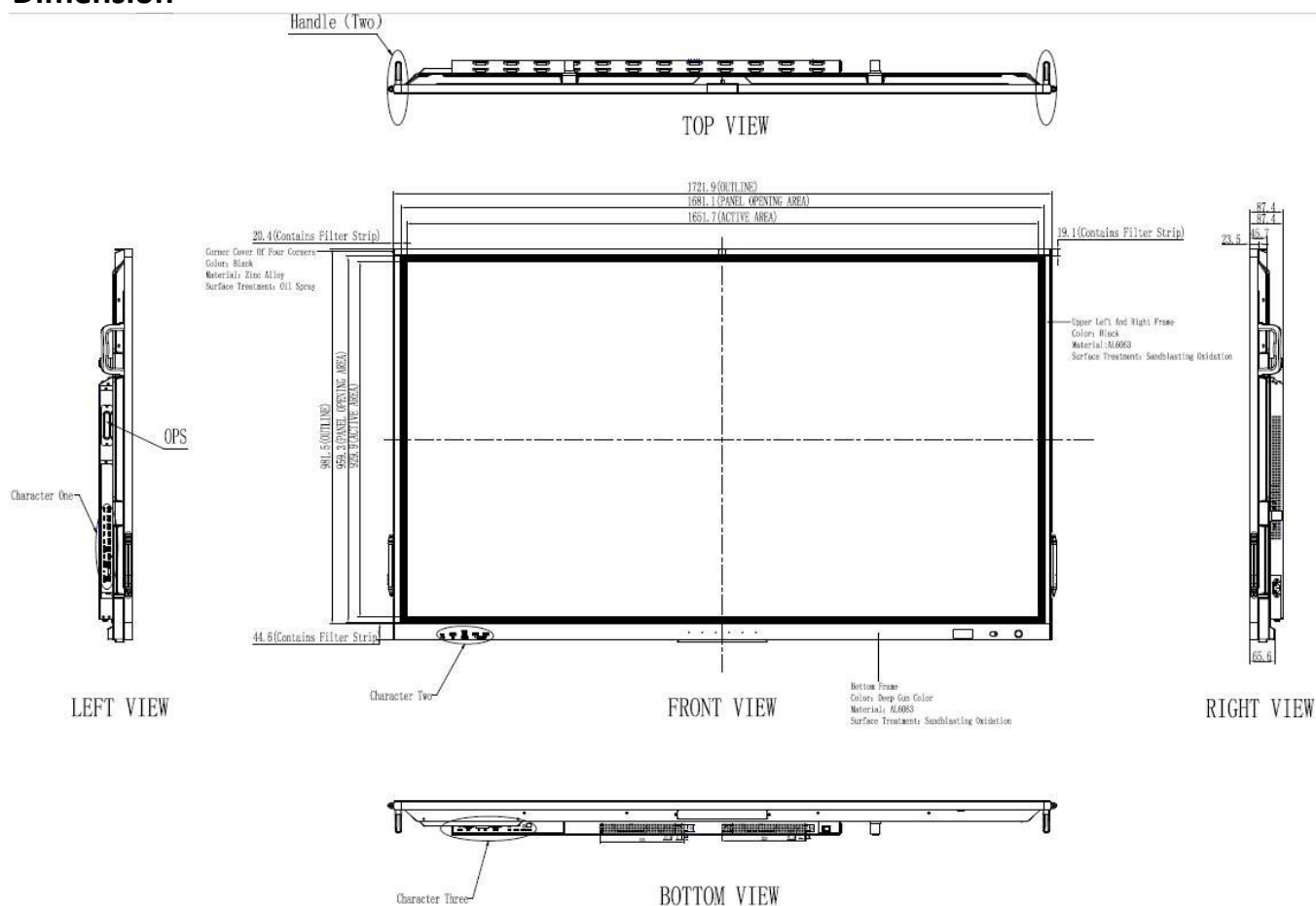
M5x100 screw

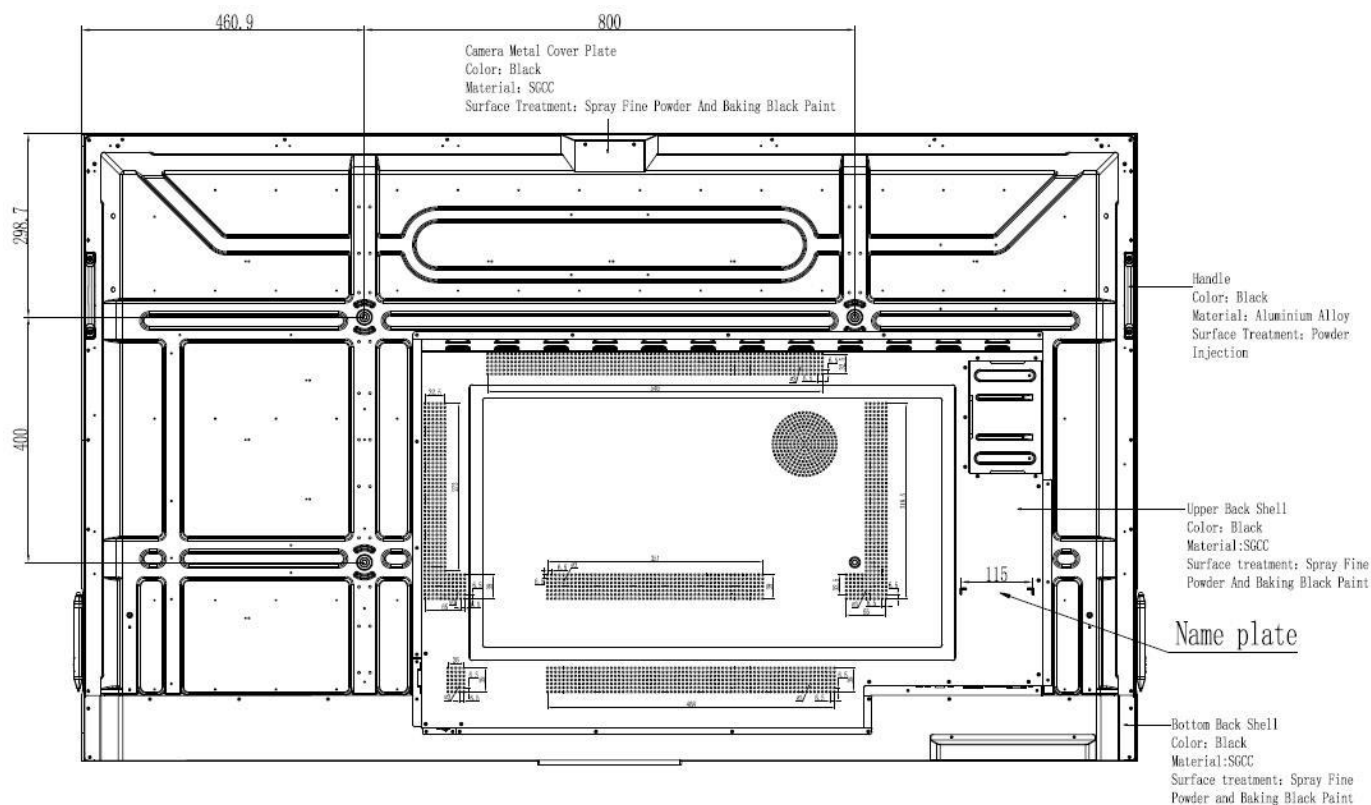
Fig. E

▪ Available Model

DS-D5B75RB/C

▪ Dimension





▪ **Accessories**

Description	Number
75 wall mounted bracket	1
55-75(A-WH0KE)/75-98(A-WH0KF)	1
Wall-mounted installation instructions	
Warranty card	1
3.0M Power Cable(European Standard)	1
3.5M HDMI to HDMI Cable(HDMI2.0)	1
3.0M Touch-USB Type-A Cable	1
Grey magnet Stylus	2
Quick Start Guide (Croatian)	1