

## DS-D2055LE-G/ITH LCD Display



The DS-D2055LE-G/ITH LCD IPS display panel uses an industry-level extreme-narrow bezel design, which enables a bezel width of 1.8 mm between neighboring displays. The adopted direct-lit LED backlighting technology helps achieve ultra-high and uniform brightness of 500 cd/m<sup>2</sup> without boundary shadows. The display has abundant interfaces for video inputs, such as DVI, VGA, HDMI, and DP.

- 4K signal input, auto loop up to 30 screens with HDMI interfaces
- Switching between three picture modes: Monitoring, Meeting, and Movie
- Factory calibration for color and brightness uniformity
- Direct-lit LED backlight with uniform brightness and no boundary shadows
- 1920 × 1080 resolution, 178° viewing angle
- Extreme-narrow 1.8 mm bezel design
- Anti-glare, high definition, high brightness, high color gamut, and vivid images with rich colors
- Stable and 24-hour continuous working
- Metal casing for preventing from radiation and magnetic & electric field interference
- Wall-mount and modular brackets available to meet various installation requirements
- Back light Life 100,000 hr



## ▪ Specification

	Model	DS-D2055LE-G
<b>Display</b>	Screen Size	55 inch
	Active Display Area	1209.6 (H) mm × 680.4 (V) mm
	Backlight	Direct-lit LED backlight
	Pixel Pitch	0.63 mm
	Physical Seam	1.8 mm
	Bezel Width	1.3 mm (top/left), 0.5 mm (bottom/right)
	Resolution	1920 × 1080@60 Hz (downward compatible)
	Brightness	500 cd/m <sup>2</sup>
	Viewing Angle	Horizontal 178°, vertical 178°
	Color Depth	10Bit, 1.07 B
	Contrast Ratio	1000 : 1
	Response Time	8 ms
	Color Gamut	72% NTSC
	Surface Treatment	Haze 28%, 2H
<b>Interface</b>	Video & Audio Input	VGA × 1, HDMI × 1, DVI × 1, DP × 1, USB × 1
	Video & Audio Output	HDMI × 1
	Control Interface	RS232 IN × 1, RS232 OUT × 1
<b>Power</b>	Power Supply	100-240 VAC, 50/60 Hz
	Power Consumption	≤ 192 W
	Standby Consumption	≤ 0.5 W
<b>Working Environment</b>	Working Temperature	0°C to 40°C (32°F to 104°F)
	Working Humidity	10% to 90% RH (non-condensing)
	Storage Temperature	-20°C to 60°C (-4°F to 140°F)
	Storage Humidity	10% to 90% RH (non-condensing)
<b>General</b>	Casing Material	SECC
	VESA	600 (H) mm × 400 (V) mm
	Product Dimension (W × H × D)	1212.21 mm × 683.06 mm × 69.5 mm (47.72" × 26.89" × 2.74")
	Package Dimension (W × H × D)	Carton with two displays: 1404 mm × 910 mm × 464 mm (55.28" × 35.83" × 18.27") Carton with a single display: 1404 mm × 910 mm × 464 mm (55.28" × 35.83" × 18.27")
	Net Weight	27.6 ± 0.5 kg (60.85 ± 1.1 lb) for single display
	Gross Weight	62.6 ± 0.5 kg (138.01 ± 1.1 lb) for carton with two displays 35 ± 0.5 kg (77.12 ± 1.1 lb) for carton with a single display

## Packing List

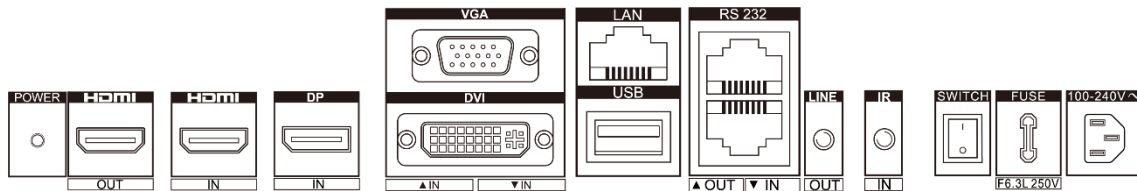
LCD display × 1, power cable × 1, network cable × 1, 2-meter HDMI cable × 1, screw × 4, remote control × 1, IR receiver × 1, RS-232 converter × 1, quick start guide (multilingual) × 1, quick start guide (English) × 1

## Available Model

DS-D2055LE-G

DS-D2055LE-G/ITH

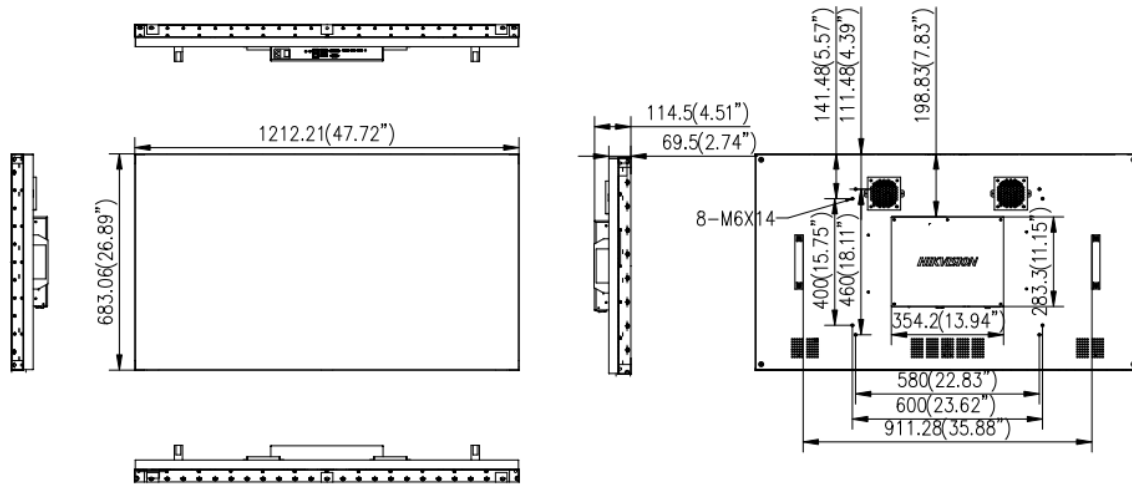
## Physical Interface



Interface	Description	Interface	Description
POWER	Power indicator	DVI IN	DVI-I input interface for digital signals
LINE OUT	Audio output interface for analog signals	RS 232 OUT	Serial loopback output interface
HDMI OUT	HDMI output interface for digital signals	RS 232 IN	Serial input interface
HDMI IN	HDMI input interface for digital signals	USB	USB interface
DP IN	DP input interface for digital signals	IR	IR input interface
VGA IN	VGA input interface for analog signals	SWITCH	Switch button



## Dimension



Distributed by



## HIKVISION®

### Headquarters

No.555 Qianmo Road, Binjiang District,  
Hangzhou 310051, China  
T +86-571-8807-5998  
overseasbusiness@hikvision.com

**Hikvision USA**  
T +1-909-895-0400  
sales.usa@hikvision.com

**Hikvision Australia**  
T +61-2-8599-4233  
salesau@hikvision.com

**Hikvision India**  
T +91-22-28469900  
sales@pramahikvision.com

**Hikvision Canada**  
T +1-866-200-6690  
sales.canada@hikvision.com

**Hikvision Thailand**  
T +662-275-9949  
sales.thailand@hikvision.com

**Hikvision Europe**  
T +31-23-5542770  
sales.eu@hikvision.com

**Hikvision Italy**  
T +39-0438-6902  
info.it@hikvision.com

**Hikvision Brazil**  
T +55 11 3318-0050  
Latam.support@hikvision.com

**Hikvision Turkey**  
T +90 (216)521 7070- 7074  
sales.tr@hikvision.com

**Hikvision Malaysia**  
T +601-7652-2413  
sales.my@hikvision.com

**Hikvision UK & Ireland**  
T +01628-902140  
sales.uk@hikvision.com

**Hikvision South Africa**  
Tel: +27 (10) 0351172  
sale.africa@hikvision.com

**Hikvision France**  
T +33(0)1-85-330-450  
info.fr@hikvision.com

**Hikvision Kazakhstan**  
T +7-727-9730667  
nikia.panfilov@hikvision.ru

**Hikvision Vietnam**  
T +84-974270888  
sales.vt@hikvision.com

**Hikvision UAE**  
T +971-4-4432090  
salesme@hikvision.com

**Hikvision Singapore**  
T +65-6684-4718  
sg@hikvision.com

**Hikvision Spain**  
T +34-91-737-16-55  
info.es@hikvision.com

**Hikvision Tashkent**  
T +99-87-1238-9438  
uzb@hikvision.ru

**Hikvision Hong Kong**  
T +852-2151-1761  
info.hk@hikvision.com

**Hikvision Russia**  
T +7-495-669-67-99  
saleru@hikvision.com

**Hikvision Korea**  
T +82-(0)31-731-8817  
sales.korea@hikvision.com

**Hikvision Poland**  
T +48-22-460-01-50  
info.pl@hikvision.com

**Hikvision Indonesia**  
T +62-21-2933759  
Sales.Indonesia@hikvision.com

**Hikvision Colombia**  
sales.colombia@hikvision.com