

DS-2CD1321-I (C) 2.0 MP CMOS NetworkTurret Camera



Key Features

- 1/2.8" progressive scan CMOS
- Up to 2.0 megapixel
- 2.8mm/4mm/6mm fixed focal lens
- Up to 30 m IR range
- Dual stream
- Digital WDR (Wide Dynamic Range)
- 3D DNR (Digital Noise Reduction)
- PoE (Power over Ethernet)
- IP67
- Mobile monitoring via Hik-Connect or iVMS-4500



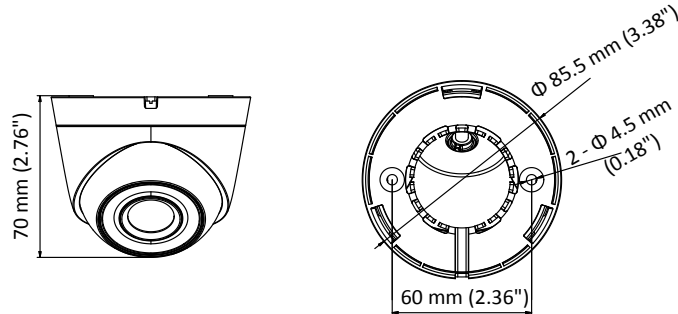
Specification

Camera	
Image Sensor	1/2.8" progressive scan CMOS
Min. Illumination	Color: 0.01Lux @(F1.2, AGC ON), 0 Lux with IR
Shutter Speed	1/3s to 1/100,000 s, support slow shutter
Lens	2.8 mm @F2.0, horizontal field of view 105.8°, 4 mm @F2.2, horizontal field of view 83.6° 6 mm @F2.0, horizontal field of view 55°
Lens Mount	M12
Day & Night	IR cut filter with auto switch
3-Axis Adjustment	Pan: 0° to 360°, tilt: 0° to 75°, rotation: 0° to 360°
DNR(Digital Noise Reduction)	3D DNR
WDR (Wide Dynamic Range)	Digital WDR
Compression Standard	
Video Compression	Main stream: H.264+/H.264 Sub stream: H.264/MJPEG
H.264 Type	Baseline Profile/Main Profile
Video Bit Rate	32 Kbps to 8 Mbps
Image	
Max. Resolution	1920 × 1080
Main Stream Max. Frame Rate	50Hz: 25fps @(1920 × 1080, 1280 × 960, 1280 × 720) 60Hz: 30fps @(1920 × 1080, 1280 × 960, 1280 × 720)
Sub-stream Max. Frame Rate	50Hz: 25fps @(704 × 576, 640 × 480, 352 × 288, 320 × 240) 60Hz: 30fps @(704 × 480, 640 × 480, 352 × 240, 320 × 240)
Image Settings	Brightness, saturation, contrast, sharpness are adjustable via web browser or client software
Day/Night Switch	Support auto, scheduled
Others	Mirror, BLC (area configurable), region of interest (support 1 fixed region)
Network	
Network Storage	NAS (NFS, SMB/CIFS)
Detections	Motion Detection
Alarms	Video tampering, network disconnected, IP address conflicted
Protocols	TCP/IP, ICMP, HTTP, HTTPS, FTP, DHCP, DNS, DDNS, RTP, RTSP, RTCP, NTP, UPnP, SMTP, IGMP, 802.1X, QoS, IPv6, Bonjour
Standard	ONVIF(PROFILE S, PROFILE G), PSIA, CGI, ISAPI
General Function	Anti-flicker, heartbeat, mirror, password protection, privacy mask, watermark, IP address filter
Interface	
Communication Interface	1 RJ45 10M/100M self-adaptive Ethernet port
General	
Operating Conditions	-30 °C to 60 °C (-22 °F to 140 °F), humidity: 95% or less (non-condensing)
Power Supply	12VDC ± 25%, PoE (802.3af)
Power Consumption	Max. 4 W/6 W (PoE)
Ingress Protection	IP67
IR Range	Up to 30 m
Dimensions	Φ 85.5 mm × 70 mm (3.38" × 2.76")
Weight	350 g (0.77 lb.)

Available Models

DS-2CD1321-I

Dimension



Accessory



DS-1272ZJ-110-TRS
Wall Mounting Bracket



DS-1275ZJ
Vertical Pole Mounting Bracket



DS-1280ZJ-XS
Inclined Base Mounting Bracket



DS-1276ZJ
Corner Mounting Bracket

Distributed by



HIKVISION

Headquarters

No.555 Qianmo Road, Binjiang District,
Hangzhou 310051, China
T +86-571-8807-5998
overseasbusiness@hikvision.com

Hikvision USA
T +1-909-895-0400
sales.usa@hikvision.com

Hikvision Italy
T +39-0438-6902
info.it@hikvision.com

Hikvision Singapore
T +65-6684-4718
sg@hikvision.com

Hikvision Africa
T +27 (10) 0351172
sale.africa@hikvision.com

Hikvision Europe
T +31-23-55-42-770
info.eu@hikvision.com

Hikvision France
T +33(0)1-85-330-450
info.fr@hikvision.com

Hikvision Oceania
T +61-2-8599-4233
salesau@hikvision.com

Hikvision Hong Kong
T +852-2151-1761

Hikvision Middle East
T +971-4-8816086
salesme@hikvision.com

Hikvision Spain
T +34-91-737-16-55
info.es@hikvision.com

Hikvision Canada
T +1-909-895-0400
sales.usa@hikvision.com

Hikvision Russia
T +7-495-669-67-99
saleru@hikvision.com

Hikvision Poland
T +48-22-460-01-50
poland@hikvision.com

Hikvision Korea
T +82-31-731-8841
sales.korea@hikvision.com

Hikvision India
T +91-22-28469900
sales@pramahikvision.com

Hikvision UK
T +01628-902140
support.uk@hikvision.com

Hikvision Brazil
T +55 11 3318-0050
Latam.support@hikvision.com