

DS-2CD4112F-(I)(Z)



Key Features

- Up to 1.4 megapixel (1280 × 1024) @ 30 fps resolution
- Support H.264+
- H.264 high profile encoding with 1280×1024 @ 30fps, 1280×720 @ 60fps
- Standard video compression with high compression ratio.
- Some specialized encoding functions are supported such as ROI (Region of Interest), SVC (Scalable Video Coding), etc.
- Progressive scan CMOS
- Support three streams, main stream and third stream can up to 1.4MP, sub-stream for mobile surveillance
- Built-in Micro SD / SDHC / SDXC card slot, up to 128GB
- High-performance and long service life Infrared LED, Approx. 10 to 30 meters(-I model)
- Support motorized VF lens(-Z model)
- Support 3D DNR,BLC,ATW,AGC
- Support Digital WDR
- Support Defocus Detection and alarm linkage
- Support smart face detection. People face can be detected and image encoding on face area can be automatically enhanced.
- Support Environmental Noise Filtering
- Support Audio Exception Detection, alarm will be triggered when the sound intensity is over the previous threshold.
- Support Smart Video Analysis functions such as Intrusion Detection, which can be configured on the local IE menu of camera.
- Support people counting, volume of visitor flow can be kept and exported
- IR cut filter with auto switch(-I model)
- Two-way audio
- Support Smart Defog
- Support EIS
- PoE (Power over Ethernet)

- Up to 20 channels live view at the same time
- Auto-iris, electronic shutter, rotate mode for different surveillance environments
- Support local analog video output for adjustment and installation
- 3-axis (pan/tilt/rotation) positioning allows adjustment for optimum camera rotation and position
- Impact Protection: IEC60068-2-75 test, Eh, 50J; EN50102, up to IK10
- LOGO picture can be overlaid on video
- Other functions: IP address filtering, anonymous access, PTZ control, alarm, reset button, mirror, etc.

Specification

| Model | DS-2CD4112F-(I)(Z) |
|-----------------------------|--|
| Parameter | 1.4 Megapixel CMOS Vandal-proof Network Dome Camera |
| Camera | |
| Image Sensor | 1/3" Progressive Scan CMOS |
| Min. Illumination | 0.01 Lux @ (F1.2, AGC ON), 0 lux with IR 0.014 Lux @ (F1.4, AGC ON), 0 lux with IR |
| Shutter Speed | 1 s to 1/100,000 s |
| Slow Shutter | Support |
| Lens | 2.8-12mm @ F1.4, angle of view: 98.4-30.2° -Z: 2.8-12mm @ F1.4, angle of view: 98.4-30.2° |
| Lens Mount | Φ14 |
| Angle Adjustment | Pan:0° - 355°, Tilt: 0° - 75°, Rotation: 0° - 355° |
| Auto-iris | DC drive |
| Day & Night | Electronic (-I: IR cut filter with auto switch) |
| Digital Noise Reduction | 3D DNR |
| Wide Dynamic Range | DWDR |
| Compression Standard | |
| Video Compression | H.264+/H.264/MPEG4/MJPEG |
| H.264 Type | Baseline Profile / Main Profile / High Profile |
| Video Bit Rate | 32 Kbps – 16 Mbps |
| Audio Compression | G.711/G.722.1/G.726/MP2L2 |
| Audio Bit Rate | 64Kbps(G.711) / 16Kbps(G.722.1) / 16Kbps(G.726) / 32-128Kbps(MP2L2) |
| Image | |
| Max. Resolution | 1280 × 1024 |
| Frame Rate | 50Hz: 25fps (1280 × 1024), 25fps (1280 × 960), 50fps (1280 × 720) 60Hz: 30fps (1280 × 1024), 30fps (1280 × 960), 60fps (1280 × 720) |
| Third Stream | Independent with Main Stream and Sub Stream, up to |

| | |
|-------------------------|---|
| | 50Hz: 25fps (1280 × 1024) 60Hz: 30fps (1280 × 1024) |
| BLC | Support |
| HLC | Support |
| Smart Defog | Support |
| EIS | Support |
| Image Setting | Rotate mode, Saturation, Brightness, Contrast adjustable by client software or web browser |
| Day/Night Switch | Auto/Schedule/Triggered by Alarm In |
| ROI | Support 4 different areas configuration in all the three streams with adjustable 6 levels. Automatically dynamic tracking with face detection can be configured. |
| Picture Overlay | LOGO picture can be overlaid on video with 128x128 24bit bmp format |
| Network | |
| Network Storage | NAS (Support NFS,SMB/CIFS) |
| Alarm Trigger | Intrusion detection, Defocus detection, Object removing, Line crossing, Motion detection, Face detection, Dynamic analysis, Tampering alarm, Network disconnect, IP address conflict, Storage exception |
| Protocols | TCP/IP,ICMP,HTTP,HTTPS,FTP,DHCP,DNS,DDNS,RTSP,RTMP,RTCP, PPPoE,NTP,UPnP,SMTP,SNMP,IGMP,802.1X,QoS,IPv6,Bonjour |
| Security | User Authentication, Watermark, IP address filtering, Anonymous access |
| Standard | ONVIF, PSIA, CGI, ISAPI |
| Interface | |
| Audio Input | 1-ch 3.5 mm audio interface, Mic in/Line in |
| Audio Output | 1-ch 3.5 mm audio interface |
| Communication Interface | 1 RJ45 10M/100M Ethernet port, 1 RS-485 interface |
| Alarm Input | 2 |
| Alarm Output | 1 |
| Video Output | 1Vp-p composite output (75 Ω/BNC) |
| On-board storage | Built-in Micro SD/SDHC/SDXC slot, up to 128 GB |
| Reset Button | Yes |
| General | |
| Operating Conditions | -30 °C – 60 °C (-22 °F – 140 °F) Humidity 95% or less (non-condensing) |
| Power Supply | 12 VDC ± 10% / PoE (802.3af) |
| Power Consumption | Max. 6 W Max. 9 W(IR: 2W, motorized VF lens: 1W) |
| IR Range | -I: Approx. 10 to 30 meters |

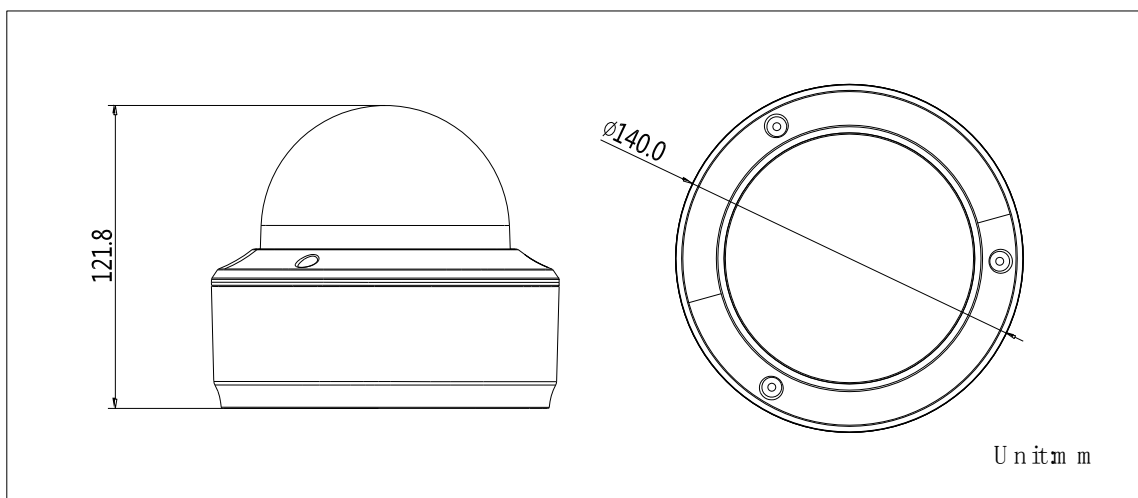
| | |
|-------------------|--|
| Impact Protection | IEC60068-275Eh, 50J; EN50102, up to IK10 |
| Dimensions | $\Phi 140 \times 121.8 \text{ mm}$ ($\Phi 5.51'' \times 4.80''$) |
| Weight | 1400 g (3.09 lbs) |

* "-Z" is equipped with Motorized VF lens

Order Models

DS-2CD4112F, DS-2CD4112F-I, DS-2CD4112F-Z, DS-2CD4112F-IZ

Dimensions



Accessories



Indoor in-ceiling mount
DS-1227ZJ



Indoor wall mount
DS-1273ZJ-130