

DS-2CD3756G2T-IZS/UHK

AcuSense 5 MP Varifocal Dome Network Camera



Empowered by deep learning algorithms, Hikvision AcuSense technology brings human and vehicle targets classification alarms to front- and back-end devices. The system focuses on human and vehicle targets, vastly improving alarm efficiency and effectiveness.

- High quality imaging with 5 MP resolution
- Excellent low-light performance with powered-by-DarkFighter technology
- Clear imaging against strong back light due to 120 dB true WDR technology
- Efficient H.265+ compression technology
- Focus on human and vehicle targets classification based on deep learning
- Water and dust resistant (IP67) and vandal-resistant (IK10)
- 3D DNR technology delivers clean and sharp images
- Motorized varifocal lens for easy installation and monitoring



▪ Specification

Camera	
Image Sensor	1/2.7" Progressive Scan CMOS
Min. Illumination	Color: 0.003 Lux @ (F1.4, AGC ON), B/W: 0 Lux with IR
Shutter Speed	1/3 s to 1/100,000 s
Slow Shutter	Yes
P/N	P/N
Wide Dynamic Range	120 dB
Day & Night	IR cut filter
Power-off Memory	Yes
Angle Adjustment	Pan: 0° to 355°, tilt: 0° to 75°, rotate: 0° to 355°
Lens	
Lens Type	Varifocal lens, motor-driven lens, 2.7 to 13.5 mm and 7 to 35 mm optional
Iris Type	Auto-iris
Lens Mount	2.7 to 13.5 mm: Ø14 7 to 35 mm: Integrated
Focal Length & FOV	2.7 to 13.5 mm: horizontal FOV 103° to 32°, vertical FOV 73° to 24°, diagonal FOV 142° to 40° 7 to 35 mm: horizontal FOV 28° to 10°, vertical FOV 21° to 8°, diagonal FOV 35° to 13°
Zoom	5x
Aperture	2.7 to 13.5 mm: F1.4 7 to 35 mm: F1.6
DORI	
DORI	2.7 to 13.5 mm: D: 64 to 187 m, O: 25 to 74 m, R: 12 to 37 m, I: 6 to 18 m 7 to 35 mm: D: 200 to 580 m, O: 79 to 230 m, R: 40 to 116 m, I: 20 to 58 m
Illuminator	
Supplement Light Type	IR
IR Range	2.7 to 13.5 mm: up to 50 m 7 to 35 mm: up to 60 m
IR Wavelength	850 nm
Smart Supplement Light	Yes
Video	
Max. Resolution	2592 × 1944
Main Stream	50 Hz: 25 fps (2592 × 1944, 2688 × 1520, 2560 × 1440, 2304 × 1296, 1920 × 1080, 1280 × 1024, 1280 × 960, 1280 × 720) 60 Hz: 24 fps (2592 × 1944) 30 fps (2688 × 1520, 2560 × 1440, 2304 × 1296, 1920 × 1080, 1280 × 1024, 1280 × 960, 1280 × 720)
Sub-Stream	50 Hz: 25 fps (1920 × 1080, 1280 × 720, 704 × 480, 640 × 480, 640 × 360) 60 Hz: 30 fps (1920 × 1080, 1280 × 720, 704 × 480, 640 × 480, 640 × 360)
Third Stream	50 Hz: 10 fps (1920 × 1080, 1280 × 720, 640 × 480, 640 × 360, 352 × 240) 60 Hz: 10 fps (1920 × 1080, 1280 × 720, 640 × 480, 640 × 360, 352 × 240) *Third stream is supported under certain settings.

Fourth Stream	50 Hz: 10 fps (1280 × 720, 640 × 480, 640 × 360) 60 Hz: 10 fps (1280 × 720, 640 × 480, 640 × 360) *Fourth stream is supported under certain settings.
Video Bit Rate	32 Kbps to 16 Mbps
Video Compression	Main stream: H.265/H.264/H.264+/H.265+ Sub-stream: H.265/H.264/MJPEG Third stream: H.265/H.264 Fourth stream: H.265/H.264/MJPEG *Third stream and fourth stream are supported under certain settings.
H.264 Type B/M/H	Baseline Profile/Main Profile/High Profile
H.265 Type	Main Profile
H.264+	Main stream supports
H.265+	Main stream supports
Bit Rate Control	CBR/VBR
Scalable Video Coding (SVC)	H.264 and H.265 encoding
Region of Interest (ROI)	5 fixed regions for main stream and sub-stream
Audio	
Environment Noise Filtering	Yes
Audio Sampling Rate	8 kHz/16 kHz/32 kHz/44.1 kHz/48 kHz
Audio Compression	G.711ulaw/G.711alaw/G.722.1/G.726/MP2L2/PCM/MP3/AAC
Audio Bit Rate	64 Kbps (G.711ulaw/G.711alaw)/16 Kbps (G.722.1)/16 Kbps (G.726)/32 to 192 Kbps (MP2L2)/8 to 320 Kbps (MP3)/16 to 64 Kbps (AAC)
Network	
Simultaneous Live View	Up to 6 channels
API	Open Network Video Interface (PROFILE S, PROFILE G, PROFILE T), ISAPI, SDK, ISUP
Protocols	TCP/IP, ICMP, HTTP, HTTPS, FTP, DHCP, DNS, DDNS, RTP, RTCP, RTSP, NTP, UPnP, SMTP, IGMP, 802.1X, QoS, IPv4, IPv6, UDP, Bonjour, SSL/TLS, PPPoE, ARP, SNMP, SIP, Multicast
SIP	Intercom integration
User/Host	Up to 32 users. 3 user levels: administrator, operator and user
Security	Password protection, complicated password, HTTPS encryption, IP address filter, IP conflict, Security Audit Log, basic and digest authentication for HTTP/HTTPS, TLS 1.1/1.2, WSSE and digest authentication for Open Network Video Interface
Network Storage	MicroSD/SDHC/SDXC card (256 GB) local storage, and NAS (NFS, SMB/CIFS), auto network replenishment (ANR) Together with high-end Hikvision memory card, memory card encryption and health detection are supported.
Client	iVMS-4200, Hik-Connect, Hik-Central
Web Browser (Live view)	Plug-in required live view: IE 10+ Plug-in free live view: Chrome 57.0+, Firefox 52.0+ Local service: Chrome 57.0+, Firefox 52.0+
Image	
SNR	≥ 52 dB
Day/Night Switch	Day, Night, Auto, Schedule
Target Cropping	Yes

Image Enhancement	BLC, HLC, 3D DNR
Image Parameters Switch	Yes
Image Settings	Rotate mode, saturation, brightness, contrast, sharpness, gain, white balance adjustable by client software or web browser
Interface	
Alarm	2 inputs, 2 outputs (max. 24 VAC/24 VDC, 1 A)
Audio	1 input (line in), 3.5 mm connector, max. input amplitude: 3.3 vpp, input impedance: 4.7 K Ω , interface type: non-equilibrium; 1 output (line out), 3.5 mm connector, max. output amplitude: 3.3 vpp, output impedance: 100 Ω , interface type: non-equilibrium
On-Board Storage	Built-in micro SD/SDHC/SDXC slot, up to 256 GB
Hardware Reset	Yes
Ethernet Interface	1 RJ45 10 M/100 M self-adaptive Ethernet port
Power Output	12 VDC, max. 100 mA
Event	
Basic Event	Motion detection (human and vehicle targets classification) 4 regions can be selected with sensitivity bar, video tampering alarm, exception, SIP
Smart Event	Unattended baggage detection, object removal detection, scene change detection, audio exception detection
Heat Map	Yes
People counting	Support counting people in and out.
Deep Learning Function	
Face Capture	Yes
Perimeter Protection	Line crossing detection, intrusion detection, region entrance detection, region exiting detection, fast moving detection, loitering detection, people gathering detection and parking detection
General	
Storage Conditions	-30 °C to 60 °C (-22 °F to 140 °F). Humidity 95% or less (non-condensing)
Linkage Method	Upload to NAS/memory card/FTP, notify surveillance center, trigger recording, trigger capture, send email, audible warning
Firmware Version	V5.5.112
Web Client Language	33 languages English, Russian, Estonian, Bulgarian, Hungarian, Greek, German, Italian, Czech, Slovak, French, Polish, Dutch, Portuguese, Spanish, Romanian, Danish, Swedish, Norwegian, Finnish, Croatian, Slovenian, Serbian, Turkish, Korean, Traditional Chinese, Thai, Vietnamese, Japanese, Latvian, Lithuanian, Portuguese (Brazil), Ukrainian
General Function	Anti-flicker, heartbeat, mirror, privacy mask(4 regions), flash log, network logs, password reset via email, pixel counter
Software Reset	Yes
Startup and Operating Conditions	-30 °C to 60 °C (-22 °F to 140 °F). Humidity 95% or less (non-condensing)
Power Supply	12 VDC \pm 25% PoE: 802.3af
Power Consumption and Current	12 VDC, 0.9 A, max. 10.8 W PoE (802.3af), max. 12.9 W

Power Interface	Ø5.5 mm coaxial power plug
Camera Material	Metal
Camera Dimension	Ø153.3 mm × 111.6 mm (6.0" × 4.4")
Package Dimension	261 mm × 217 mm × 197 mm (10.3" × 8.5" × 7.8")
Camera Weight	Approx. 885 g (1.9 lb.)
With Package Weight	Approx. 1843 g (3.2 lb.)
Approval	
EMC	FCC SDoC (47 CFR Part 15, Subpart B); CE-EMC (EN 55032: 2015, EN 61000-3-2: 2014, EN 61000-3-3: 2013, EN 50130-4: 2011 +A1: 2014); RCM (AS/NZS CISPR 32: 2015); IC VoC (ICES-003: Issue 6, 2016); KC (KN 32: 2015, KN 35: 2015)
Safety	UL (UL 60950-1); CB (IEC 60950-1:2005 + Am 1:2009 + Am 2:2013, IEC 62368-1:2014); CE-LVD (EN 60950-1:2005 + Am 1:2009 + Am 2:2013, IEC 62368-1:2014); BIS (IS 13252(Part 1):2010+A1:2013+A2:2015); LOA (IEC/EN 60950-1)
Environment	CE-RoHS (2011/65/EU); WEEE (2012/19/EU); Reach (Regulation (EC) No 1907/2006)
Protection	IP67 (IEC 60529-2013), IK10 (IEC 62262:2002)
Additional information	
Intelligent IR function, with the possibility of disabling, automatic or setting the gain value in levels between 1 to 100	YES
Able to trigger the shutter manually or automatically	YES
Have independent sensitivity and threshold for each motion detection area	YES
have motion detection function with scheduling possibility	YES
Have video and photo recording function on FTP server with the possibility of scheduling	YES
Have intercom integration to establish call via SIP (video and audio) by motion detection and call to a SIP extension pre-configured in the camera	YES

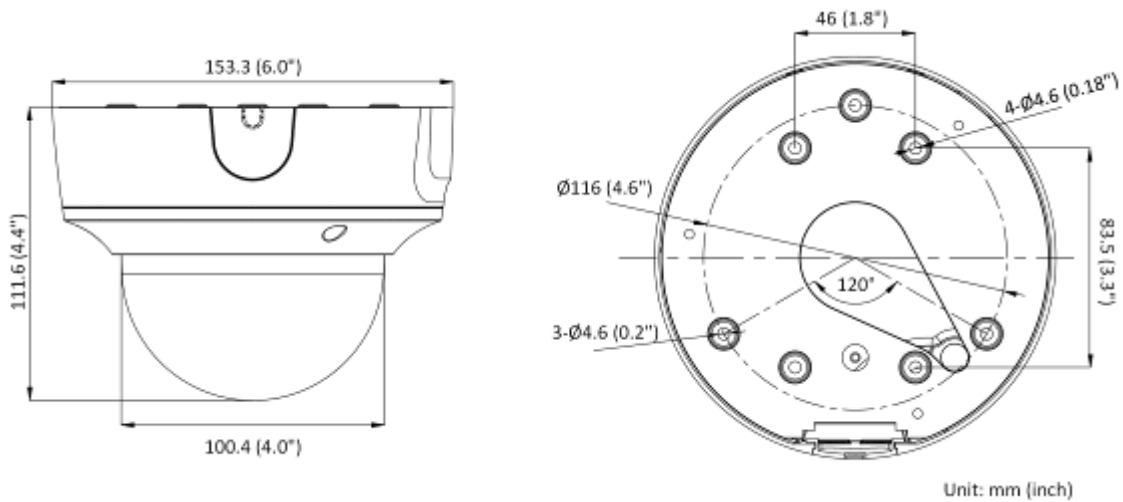
Support overlaying date, time, text on video, must support overlay text, must have at least 3 more text fields, with a capacity of at least 22 characters each one	YES
allow configuration of programmed daylight saving time input and output, allow sending of e-mails to at least 2 destinations, must allow the backup of configuration files, must allow sending videos and photos to the FTP server in the event of an event (motion detection)	YES
Have characters to verify the authenticity of the video (watermark) and the manufacturer's tool to verify the same	YES
Support scheduled change of settings like brightness, contrast, saturation, sharpness, gamma, BLC, HLC, DWDR, shutter adjustments, gain adjustments, white balance, color, auto or black and white mode, making it possible to apply a specific set of settings over a period and a set of settings specific during another period	YES
Have illegal access control	YES
Have quality of service (QoS) for video stream and internal commands	YES
have password protection with at least 11 levels of access	YES
have firmware upgradeable via the web interface and the manufacturer's own software and the firmware versions must be freely available on the manufacturer's website.	YES

Integrated compatibility with visualization software in iOS and Android mobile applications provided by the manufacturer of the same	YES
Have face detection with metadata transmission that can be interpreted by recorders with facial recognition	YES
Have perimeter artificial intelligence with the ability to classify humans and vehicles, parking detection, suspicious attitude and crowding of people, must have a heat map with reports of up to 1 week, must have people counting in 2 flows (input and output).	YES

▪ **Available Model**

DS-2CD3756G2T-IZS/UHK (2.7 to 13.5 mm, 7 to 35 mm)

▪ **Dimension**



▪ **Accessory**

▪ **Included**

DS-1280ZJ-DM55

Junction box



▪ **Optional**

<p>DS-1475ZJ-SUS Vertical Pole Mount</p>	<p>DS-1473ZJ-155B Wall Mount</p>	<p>DS-1476ZJ-SUS Corner Mount</p>	<p>DS-1471ZJ-155 Pendant Mount</p>	<p>DS-1473ZJ-155 Wall Mount</p>
<p>DS-1227ZJ-DM44 Pendant Mount</p>				

Distributed by

**HIKVISION®****Headquarters**

No.555 Qianmo Road, Binjiang District,
Hangzhou 310051, China
T +86-571-8807-5998
overseasbusiness@hikvision.com

Hikvision USA
T +1-909-895-0400
sales.usa@hikvision.com

Hikvision Australia
T +61-2-8599-4233
salesau@hikvision.com

Hikvision India
T +91-22-28469900
sales@pramahikvision.com

Hikvision Canada
T +1-866-200-6690
sales.canada@hikvision.com

Hikvision Thailand
T +662-275-9949
sales.thailand@hikvision.com

Hikvision Europe
T +31-23-5542770
sales.eu@hikvision.com

Hikvision Italy
T +39-0438-6902
info.it@hikvision.com

Hikvision Brazil
T +55 11 3318-0050
Latam.support@hikvision.com

Hikvision Turkey
T +90 (216)521 7070- 7074
sales.tr@hikvision.com

Hikvision Malaysia
T +601-7852-2413
sales.my@hikvision.com

Hikvision UK & Ireland
T +01628-902140
sales.uk@hikvision.com

Hikvision South Africa
Tel: +27 (10) 0351172
sale.africa@hikvision.com

Hikvision France
T +33(0)1-85-330-450
info.fr@hikvision.com

Hikvision Kazakhstan
T +7-727-9730667
nikia.panfilov@hikvision.ru

Hikvision Vietnam
T +84-974270888
sales.vt@hikvision.com

Hikvision UAE
T +971-4-4432090
salesme@hikvision.com

Hikvision Singapore
T +65-6684-4718
sg@hikvision.com

Hikvision Spain
T +34-91-737-16-55
info.es@hikvision.com

Hikvision Tashkent
T +99-87-1238-9438
uzb@hikvision.ru

Hikvision Hong Kong
T +852-2151-1761
info.hk@hikvision.com

Hikvision Russia
T +7-495-669-67-99
saleru@hikvision.com

Hikvision Korea
T +82-1031-731-8817
sales.korea@hikvision.com

Hikvision Poland
T +48-22-460-01-50
info.pl@hikvision.com

Hikvision Indonesia
T +62-21-2933759
Sales.Indonesia@hikvision.com

Hikvision Colombia
sales.colombia@hikvision.com