

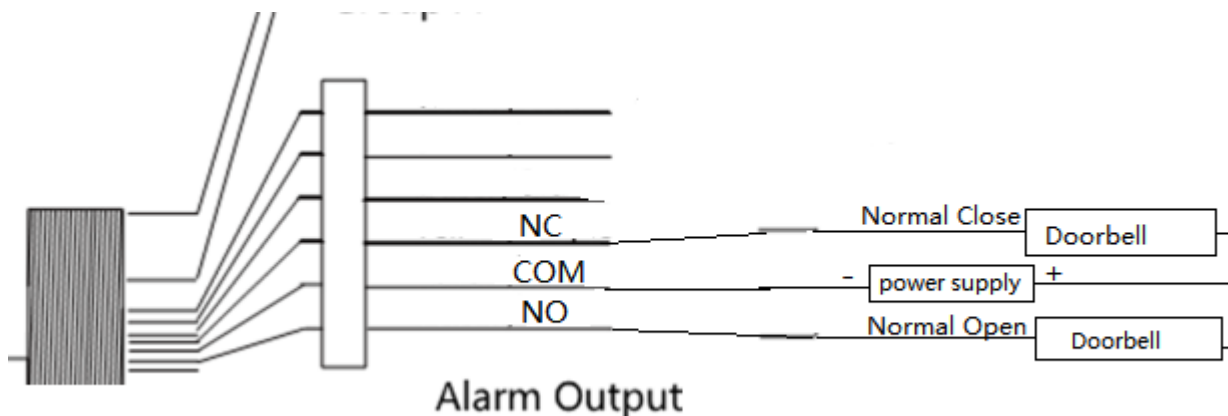
DS-K1T Series Terminal Connect to Doorbell

Operation Process

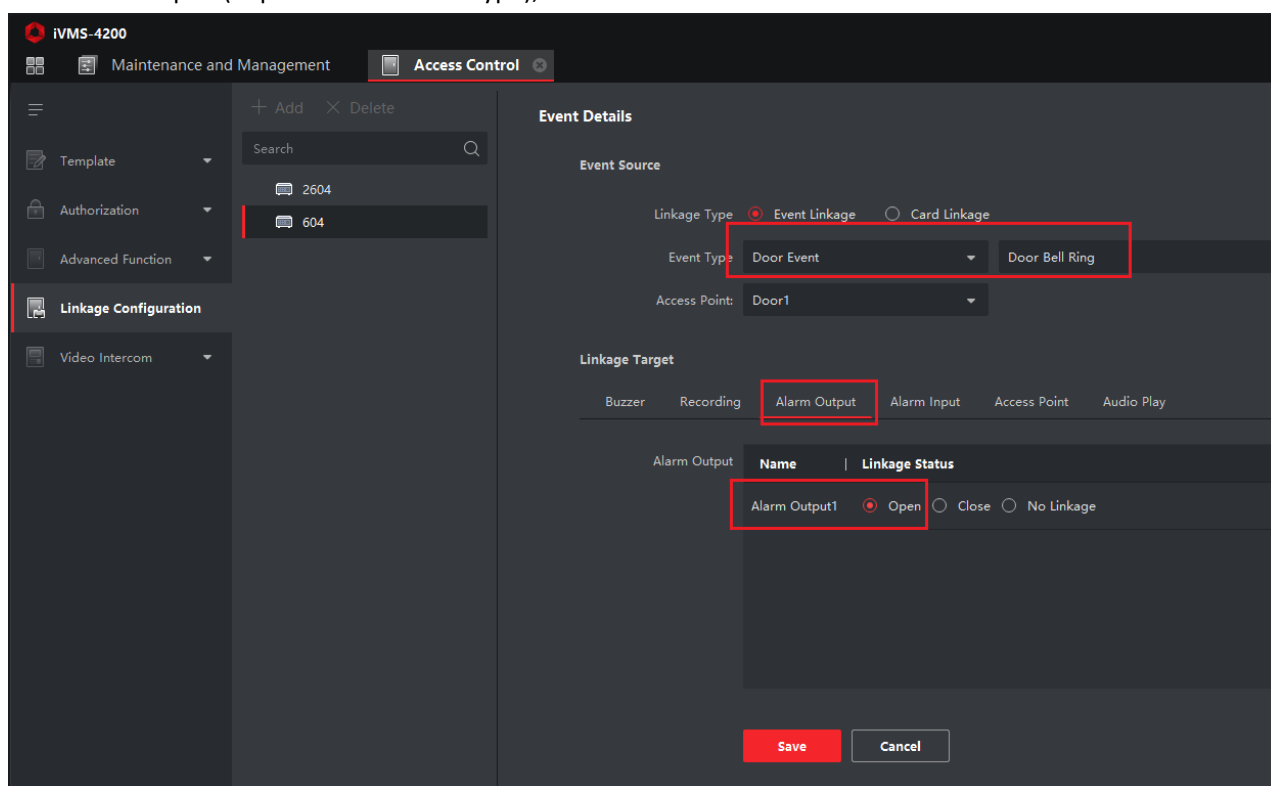
- 1) Alarm output/Doorbell wiring.
- 2) Linkage configuration.
- 3) Test

Operation Steps:

1. Connect NO/NC(depends on doorbell type), COM cable with doorbell and power supply as below picture



2. Set alarm output linkage in Access Control module, add linkage for doorbell ring event and set alarm output as Close or Open (depends on doorbell type), and click "Save".



3. Test
Press doorbell button on terminal and check if doorbell will ring.

DS-K1T Series Terminal Connect to Doorbell

Suitable Models:

Model	Description
DS-K1T105	Standalone Access Control Terminal
DS-K1T201	Standalone Access Control Terminal
DS-K1T604/605/606/607/671	Face Recognition Access Control Terminal