

DS-TLSLD-CTR-1

ZigBee 1-ch Single Light Controller



Model

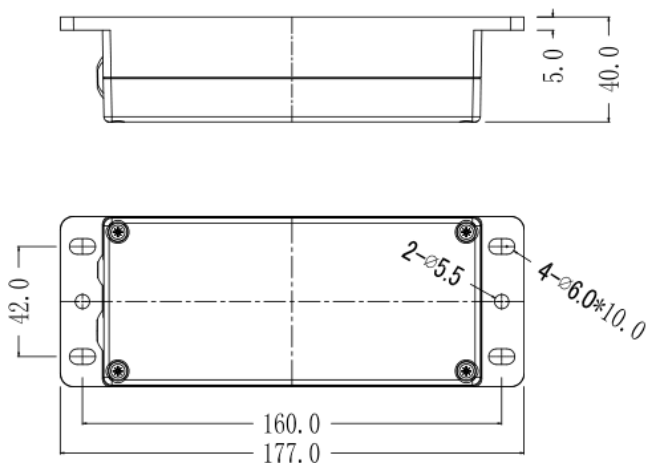
Model	Function Description
DS-TLSLD-CTR-1	Collect lamp holder information, realize the control of lamp holder.

The single-lamp controller is used to receive the control command and data information of the centralized controller to control the lamp holder, and send the collected data information and status back to the centralized controller.

Feature

- 1 channel current, voltage, electricity and other parameters measurement chip independent acquisition;
- 1 relay output control (switch);
- 1 channel independent dimming interface (0-10V);
- Abnormal automatic monitoring, crash self-recovery function;
- Zigbee communication;
- Dimming function can be equipped with motion sensor auxiliary reference;
- Routing of other sensing devices facilitates the expansion of sensing devices;
- Address/channel remote setting, convenient and fast;
- It has the function of automatically joining the network and self-recovery of the program as well as the function of automatically running the switch policy after losing contact.

Dimension



Specification

Model	DS-TLSLD-CTR-1	
spec	ZigBee 1-ch Single Light Control	
Single Light Controller		
Voltage	200-260 VAC	
Communication Mode	Zigbee Communication Distance ≤800(Noshelter) Frequency: 2.4GHz Bandwidth: 250KB/s	
Working Temperature	-40°~ +70°	
Level of protection	IP65	
Rated Load	0-500W / ≤5A	
Stand-by Power Consumption	≤1.5W	
Dimension	65mm(W)*177mm(L)*40mm(H)	
Color	Black	