

## DS-2CD63C2F-I(V)(S) 12MP Fisheye Network Camera



DS-2CD63C2F-I(V)(S) is designed to single-handedly capture images from every corner of a particular location and eliminate blind spots. It features a progressive scan CMOS sensor to provide high-resolution images of up to 4000×3072, and a fisheye lens for a 360° panoramic or multiple de-warped views. Furthermore, IR functionality provides up to 15m IR distance of visibility under low or even zero-light conditions.

It is a great choice for detailed coverage of wide, open areas like airports, shopping malls, parking lots, retail stores, offices, restaurants, classrooms, and more.

### **Multiple Display Modes**

The 12MP IR Fisheye Network Camera supports several viewing modes, including the 360° view, a horizontal panoramic view, PTZ quad view modes. Customers can also utilize this smooth PTZ function to easily pan, tilt and zoom, on any region of interest (ROI).

- 1/1.7" Progressive Scan CMOS
- 12.4 MP effective sensor
- Up to 4000 × 3072 resolution
- BLC,AGC,ATW,WDR,Flickerless
- Line crossing and intrusion detection
- OSD 16 characters
- Up to 15m IR range
- 360° view angle
- Built-in microphone & speaker
- Audio/Alarm IO/ RS485(-S model)
- IP66(-V model)
- IK10 vandal proof(-V model)



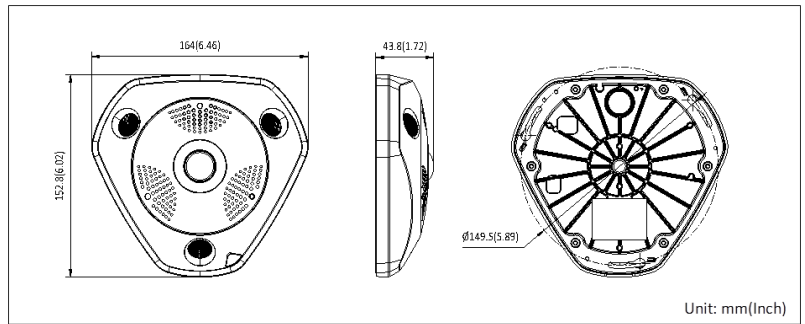
# DS-2CD63C2F-I(V)(S) 12MP Fisheye Network Camera



## Specification

<b>Camera</b>		
Image Sensor	1/1.7" Progressive Scan CMOS	
Min. Illumination	0.01 Lux @ (F1.2, AGC ON), 0.04 Lux @ (F2.4, AGC ON), 0 Lux with IR	
Shutter Speed	1/25(1/30)s ~ 1/100,000s	
Lens	1.98mm @F2.4, angle of view: 360°	
Lens Mount	M12	
Day & Night	ICR	
<b>Compression Standard</b>		
Video Compression	H.264 /MJPEG	
H.264 Type	Baseline Profile / Main Profile / High Profile	
Video Bit Rate	32 Kbps – 16 Mbps	
Audio Compression(-S)	G.711/G.726/MP2L2	
Audio Bit Rate	64Kbps(G.711) / 16Kbps(G.726) /64Kbps(MP2L2)	
<b>Image</b>		
Max. Resolution	4000 × 3072	
Live Mode	Mode1	1×Fisheye(main stream) + 1×Fisheye(sub stream) + 3×PTZ
	Mode2	1×Panorama(main stream) + 1×Panorama(sub stream)
	Mode3	4PTZ
	Mode4	Fisheye
Frame Rate	Mode1	50Hz: 1×Fisheye(2560×2560, 2048×2048, 1280×1280, 10fps) + 1×Fisheye(720×720, 10fps) +3×PTZ(1600×1200, 10fps) 60Hz: 1×Fisheye(2560×2560, 1280×1280, 10fps) + 1×Fisheye(720×720, 10fps) +3×PTZ(1600×1200, 10fps)
	Mode2	50Hz:1×Panorama(3072×2304, 3072×1152, 12.5fps) + 1×Panorama(704×576, 12fps) 60Hz:1×Panorama(3072×2304, 3072×1152, 15fps) + 1×Panorama(704×576, 15fps)
	Mode3	50Hz: 4×PTZ(1600×1200,12.5fps) 60Hz: 4×PTZ(1600×1200,15fps)
	Mode4	50Hz: 1×Fisheye(4000×3072, 20fps,3072×3072, 2560×2560, 25fps)+1×fisheye(720×720, 704×576, 12.5fps) 60Hz: 1×Fisheye(4000×3072, 20fps,3072×3072, 2560×2560, 25fps)+1×fisheye(720×720, 704×576, 15fps)
Digital Noise Reduction	3D DNR	
Image Setting	Saturation, Brightness, Contrast, Hue, Sharpness, AGC, White Balance	
Wide Dynamic Range	Digital WDR	
Day/Night Switch	Auto/Schedule/Alarm Trigger	
ROI	Up to 4 fixed areas in each stream	
<b>Intelligent</b>		
Analytics	Heatmap (Recording the motion of foot traffic over a period of time and displays temporal density and spatial statistics in different colors), people counting	
<b>Network</b>		
Network Storage	NAS (Support NFS,SMB/CIFS)	

## Dimensions



Alarm Trigger	Line crossing detection, Intrusion detection, Motion detection, Dynamic analysis, Tampering alarm, Network disconnect, IP address conflict, Storage exception
Protocols	TCP/IP,ICMP,HTTP,HTTPS,FTP,DHCP,DNS,DDNS,RTP,RTSP,RTCP ONVIF(PROFILE S,PROFILE G), PSIA, CGI, ISAPI
Security	User Authentication, Watermark, IP address filtering, Anonymous access
<b>Interface</b>	
Communication Interface	1 RJ45 10M/100M/1000M Ethernet interface; 1 RS485 interface(-S)
Audio Input	1 3.5mm audio interface, Mic in/Line in (-S); 1 built-in microphone by default, 24db
Audio Output	1 3.5mm audio output interface (-S); 1 built-in speaker by default, support echo cancellation
Alarm Input(-S)	1
Alarm Output(-S)	1
On-board storage	Built-in Micro SD/SDHC/SDXC slot, up to 128 GB
<b>General</b>	
Operating Conditions	Indoor: -10 °C – 50 °C (14 °F – 122 °F) -V: -30 °C – 60 °C (-22 °F – 140 °F) Humidity 95% or less (non-condensing)
Power Supply	12 VDC ± 10% / PoE (802.3af)
Power Consumption	Max. 14.7W ( up to 12W IR off )
IR Range	15 meters
Impact Protection	-V: IEC60068-2-75Eh, 20J; EN50102, up to IK10
Ingress Protection level	-V: IP66
Dimensions	164x152.8x43.8mm(6.46"x6.02"x1.72")
Weight	1400g
Order Models	DS-2CD63C2F-I, DS-2CD63C2F-IV, DS-2CD63C2F-IS, DS-2CD63C2F-IVS

## Accessories



DS-1280ZJ-DM25  
Junction box



DS-1281ZJ-DM25  
Inclined ceiling mount



DS-1273ZJ-DM25  
Wall mount



DS-1271ZJ-DM25  
Pendent mount

DS-2CD1283ZJ

