



# Temperature Screening Terminal with Mask Detection

# Safe and Accurate Temperature Detection at the Door

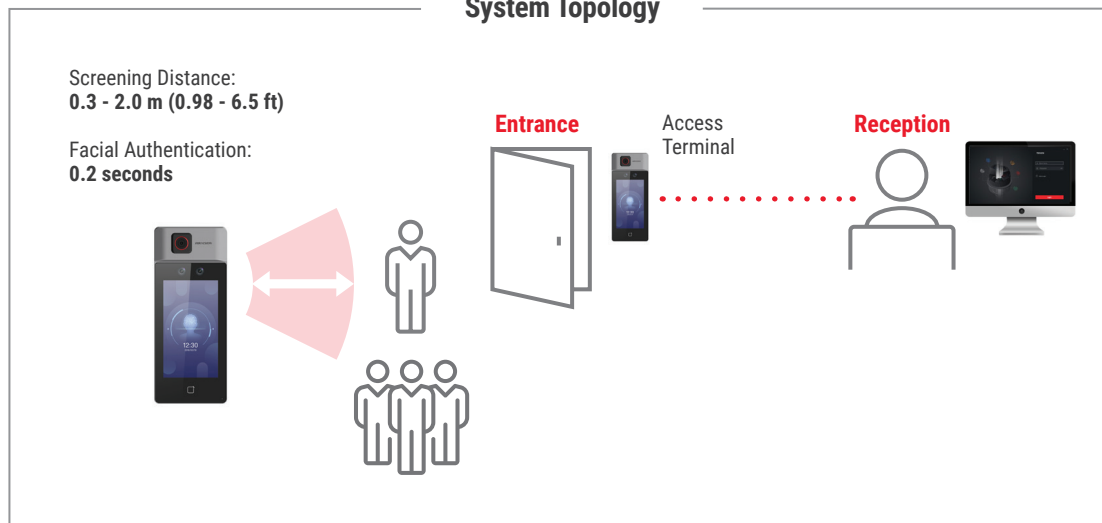


**ALERT AND AUDIBLE WARNING WHEN ABNORMAL TEMPERATURE HAS BEEN DETECTED**

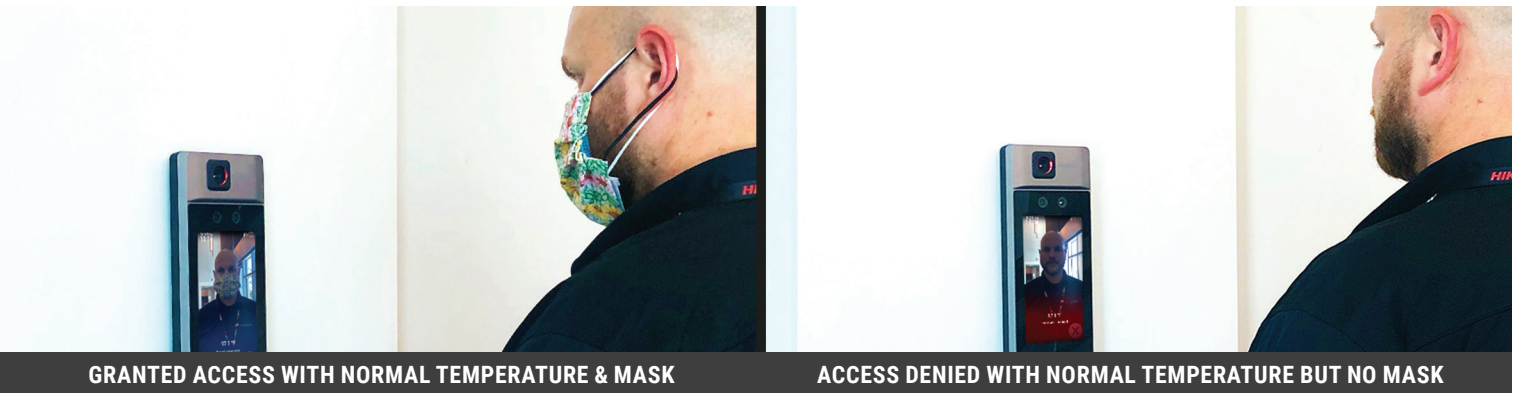
To safeguard employees, customers and visitors, many businesses are now screening for abnormal temperatures at entrances. Hikvision's highly accurate Temperature Screening Terminal includes advanced skin-surface temperature measurement, facial recognition access control, and mask detection, all in one solution. Our innovative access control terminal provides a safer, faster, and smarter solution that enables users to:

- Perform elevated skin-surface temperature screening with accuracy up to  $\pm 0.5$  °C ( $\pm 0.9$  °F)
- View temperature results on local screen for quick identification
- No need to set permissions, normal temperature can unlock the door
- Detect the absence of face mask, triggers voice alarm using built-in speaker to request mask for entry

## System Topology



# High Accuracy Temperature Screening, Access Control & Mask Detection

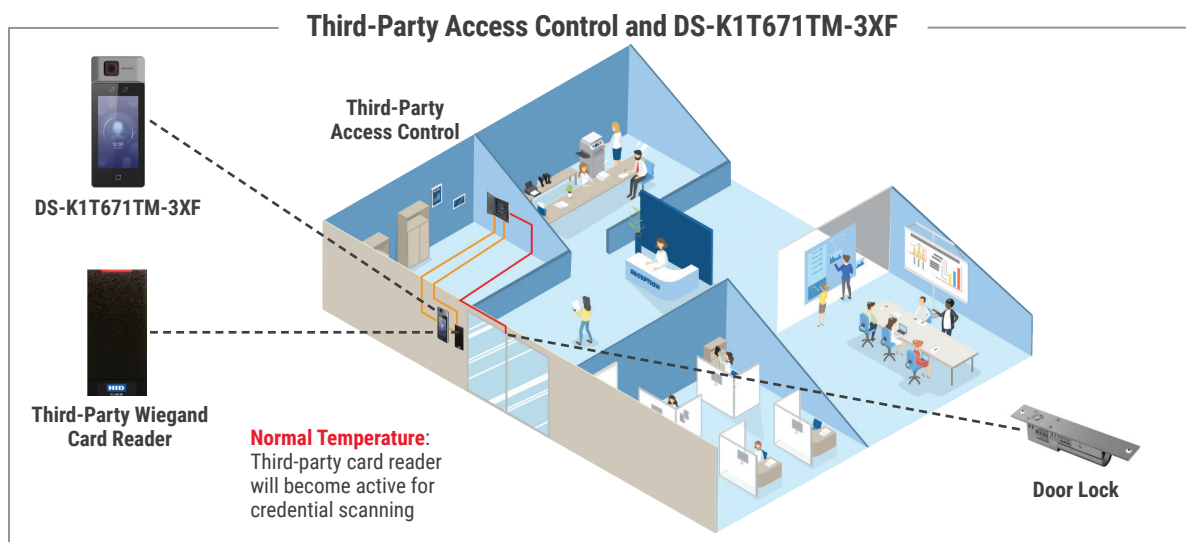


Hikvision's Temperature Screening Terminal DS-K1T671TM-3XF is an access control terminal integrated with high accuracy temperature screening and mask detection functions. It can quickly measure skin-surface temperature and display it on the 7-inch touch screen LCD. This product is ideal for office buildings, hospitals, hotels, transportation hubs, retailers, educational centers, and warehouses.

Our Temperature Screening Terminal supports multiple authentication modes including access control card with normal temperature and face detection with normal temperature. Both can be combined with the use of mask detection. During the temperature screening process, an audible warning will alert if no mask is detected and the person will be denied entrance until a mask is detected.

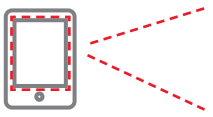
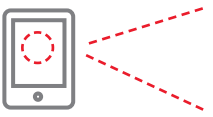


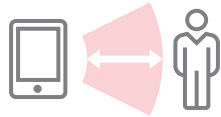
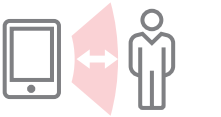
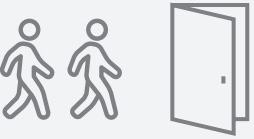

The terminal with facial recognition is also equipped with a 2 MP wide-angle, dual-lens, and anti-spoofing feature—where an individual cannot be granted access by holding up a photograph. It has the capacity to recognize up to 50,000 faces, 50,000 Mifare contactless cards, and store up to 100,000 events. Important access control interfaces include a lock relay, request to exit (REX), alarm I/O and a tamper alarm.



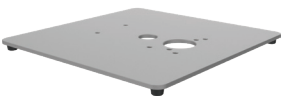

A large 7-inch LCD touch screen simplifies configuration and user interaction. Our terminal integrates with Hikvision NVRs for live view and playback.



# Key Benefits of Thermographic Technology

Hikvision offers key advantages with its thermographic technology. Most solutions are limited and can only measure temperature in a small area and have no facial recognition capability. The graphic below compares Hikvision technology benefits with a typical competitor.

Hikvision	Other Solutions
 <p>Full screen measurement</p>	 <p>Fixed limited area measurement</p>
 <p>Accurate Measurement &amp; Tracking with Deep Learning Technology</p>	 <p>Measurement in the limited fixed area can be wrong or missed</p>
 <p>Measurement distance: 0.3 to 2.0 m (0.98 to 6.5 ft)</p>	 <p>Measurement distance: 0.3 - 0.5 m (0.98 - 1.6 ft)</p>
 <p>Efficiency: 0.2-second screening</p>	 <p>Efficiency: 5-second screening</p>

DS-KAB671-B (Optional)	DS-DM0701BL (Optional)	DS-KAB6-BASE (Optional)	DS-KP12V-3A (Optional)
			
<p><b>Versatile installation options:</b> The DS-K1T671TM-3XF terminal can be placed near the entrance on the floor or on a desk with optional stands.</p>		<p><b>Mounting Base Plate</b> for DS-KAB671-B</p>	<p><b>DC12V 3A Power Supply</b> can be purchased separately</p>

## Temperature Screening + Access Control + Video Surveillance = Versatile and Precise Monitoring Solution



### Key features of screening terminal solution include:

- Thermographic Temperature Range: 30 to 45 Degrees Celsius (86 to 113 Degrees Fahrenheit)
- Accuracy:  $\pm 0.5$  Degrees Celsius ( $\pm 0.9$  Degrees Fahrenheit)
- Smart—Only Screens Skin Surface of Forehead
- Temperature Measurement Distance: 0.3 to 2.0 m (0.98 to 5 ft)
- Temperature Measurement Height: 1.2 to 1.9 m (3.9 to 6.2 ft)
- Vanadium Oxide Uncooled Sensor Measures Temperature
- Rapid Temperature Measurement Mode: Detects Face, Takes Skin-Surface Temperature (without identity authentication)
- Triggers Voice Prompt when Abnormal Temperature Detected
- 7-Inch LCD Touch Screen for Easy Programming and Operation
- 2 MP Dual Wide-Angle Lens with WDR
- Face Mask Detection: If Mask is not Detected, Voice Reminder Prompt Sounds
- Face Mask Alert: Authentication Entrance Is Valid
- No Mask Alert: Authentication Entrance Not Allowed
- Capacity up to 50,000 Faces, 50,000 Cards and 100,000 Temperature and Event Records
- Supports Multiple Authentication Modes Including Card/Temperature, Face/Temperature, and Card/Face/Temperature.
- Prompt Alarm Live View from iVMS-4200
- Displays Temperature Results in Local View and iVMS-4200
- Time Attendance Reports in iVMS-4200

# Specifications

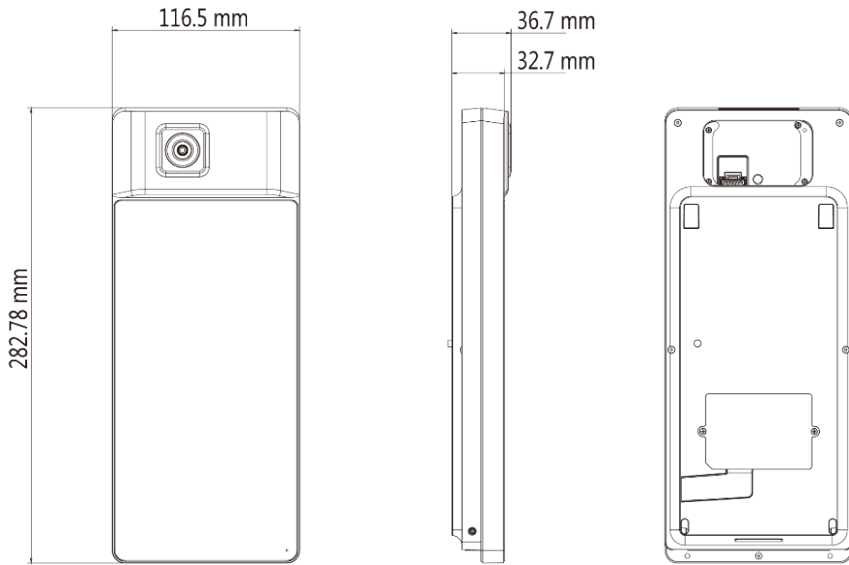


Model		DS-K1T671TM-3XF
Operating System		Linux
Temperature Measurement	Sensor	Vanadium Oxide uncooled sensor
	Resolution	120 × 160
	Frame Rate	25 fps
	Temperature Range	30° C to 45° C (86° F to 113° F)
	Temperature Accuracy	±0.5° C (±0.9° F), without blackbody calibration
	Measuring Distance	0.3 to 2.0 m (0.98 to 6.5 ft)
Screen	Screen	7-inch touch screen
	Ratio	16:9
	Resolution	1024 x 600
Camera		2 MP dual-lens camera, WDR
Indicator		Supported
Face	Recognition Mode	Face: 1:1 and 1:N
	Face Capacity	50,000
	Face Recognition Duration	< 0.2 s per person
	Face Recognition Distance	0.3 to 2.0 m (0.98 to 6.5 ft)
Card	Card Capacity	50,000
	Card Type	Mifare Card
	Card Swiping Duration	< 1 s
	Card Swiping Distance	0 to 5 cm (0 to 2 in.)
Event Capacity		100,000
Interface		1x Network, 1x RS-485, 2x USB, 1x alarm output, 2x alarm input, 1x lock, 1x door contact, 1x exit button, 1x tamper, 1x Wiegand (Connect with 3rd party wiegand 26 or 34 bit proximity card reader)
Network		10/100/1000 Mbps self-adaptive
Other	Operating Voltage	12V DC/2 A
	Operating Temperature	0° C to 50° C (32° F to 122° F) For temperature measurement: 10° C to 35° C (50° F to 95° F)
	Operating Humidity	10 to 90% (non-condensing)
	Application	Indoor
	Application Environment	Indoor and windless environment use only
	Bracket	Wall Mount (included), Floor Stand (DS-KAB671-B, purchase separately) Desk Stand (DS-DM0701BL, purchase separately)

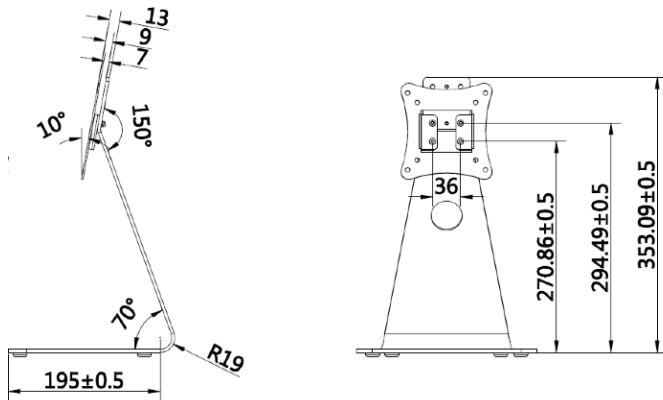
\*To prevent a fire hazard, equipment should not be exposed to direct sunlight, low ventilation or to a heat source such as heater or radiator.

# Product Dimensions

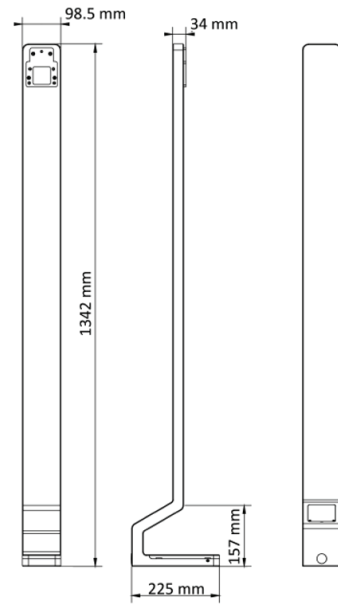
## DS-K1T671MT-3XF



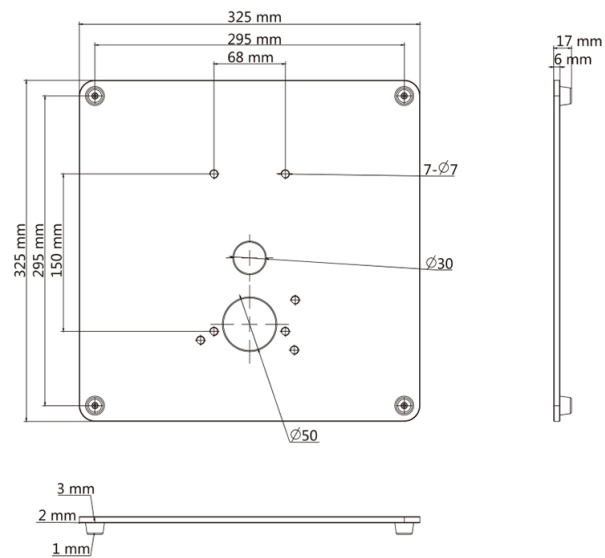
## DS-DM0701BL (Optional)



## DS-KAB671-B (Optional)



## DS-KAB6-BASE (Optional)



**Hikvision USA Inc.**

18639 Railroad Street  
City of Industry, CA 91748

**Hikvision Canada Inc.**

4848 Levy Street  
Saint-Laurent, Quebec H4R 2P1

**Contact Information**

Toll-Free: +1 866-200-6690 (U.S. and Canada)

Phone: +1 909-895-0400

Email: [sales.usa@hikvision.com](mailto:sales.usa@hikvision.com)

**[hikvision.com](http://hikvision.com)**

Connect with us: [!\[\]\(f95dab70c751fda7d824b8b03650f7aa\_img.jpg\)](#) [!\[\]\(4f2c4dafe2b36117690cbd57dfbd3413\_img.jpg\)](#) [!\[\]\(b961a5fa0f86cec2dda1d53983935e9f\_img.jpg\)](#) [!\[\]\(b2ab28f5465a1df14016cfd12852eb23\_img.jpg\)](#) [!\[\]\(86b6d62464f92495750a971663a215af\_img.jpg\)](#)

©2020 Hikvision USA Inc. and Hikvision Canada Inc. All rights reserved. Hikvision is a registered trademark of Hikvision Digital Technology Co., Ltd. in the US, Canada and other countries. All other trademarks, service marks, and product or service names are trademarks or registered trademarks of their respective owners. Product specifications and availability are subject to change without Notice.

Disclaimer: Hikvision's Thermographic Cameras are designed for immediate detection and preliminary screening of elevated skin-surface temperature in high-traffic areas. When measuring core body temperature, please verify through the use of clinical measurement devices and/or by consulting a medical professional. Hikvision's Thermographic Cameras must be used in accordance with local laws and regulations.