

Title:	Connecting Hikvision Microphones to Hikvision IP Cameras	Version:	1.0	Date:	3/29/19
Product:	DS-2FP2020 and DS-2FP4021-B				
Action Required:	None, Information only				

Summary:

This technical bulletin is intended to demonstrate the proper method of connecting Hikvision microphones to Hikvision IP cameras. The camera used in this document is DS-2CD2122FWD-I. Please note, that all the images provided in this document are taken in an office environment, and they do not depict any installation techniques or procedures; the aim of this document is strictly to demonstrate the wiring method.

Information:

Hikvision microphones are line level, and have a built-in preamp, which requires power. There are three wires coming out of the microphone cable (Figure 1):

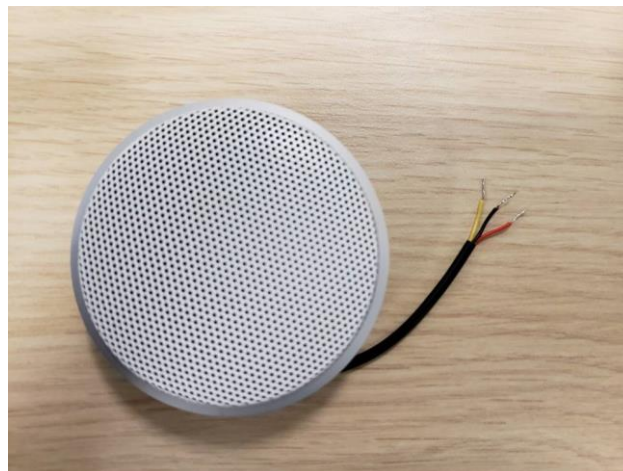


Figure 1: DS-2FP2020 Microphone

The three wires are:

Color	Purpose	To be connected to
Yellow	Audio out	Audio In terminal of the camera
Red	+12V DC Power input	Positive lead of a 12 VDC Power Supply
Black	Ground (for power and audio)	Ground terminal of the camera's audio input and the negative lead of the power supply

Title:	Connecting Hikvision Microphones to Hikvision IP Cameras	Version:	1.0	Date:	3/29/19
Product:	DS-2FP2020 and DS-2FP4021-B				
Action Required:	None, Information only				

The diagram in Figure 2 better illustrates the connections (please note, that the diagram only includes the wires):

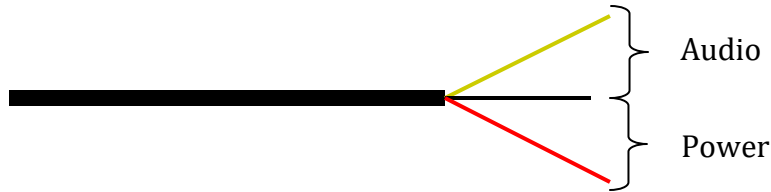


Figure 2: Wire connection diagram

Figure 3 shows the final connection as it appears both on the camera's terminal block, and on the microphone wire:

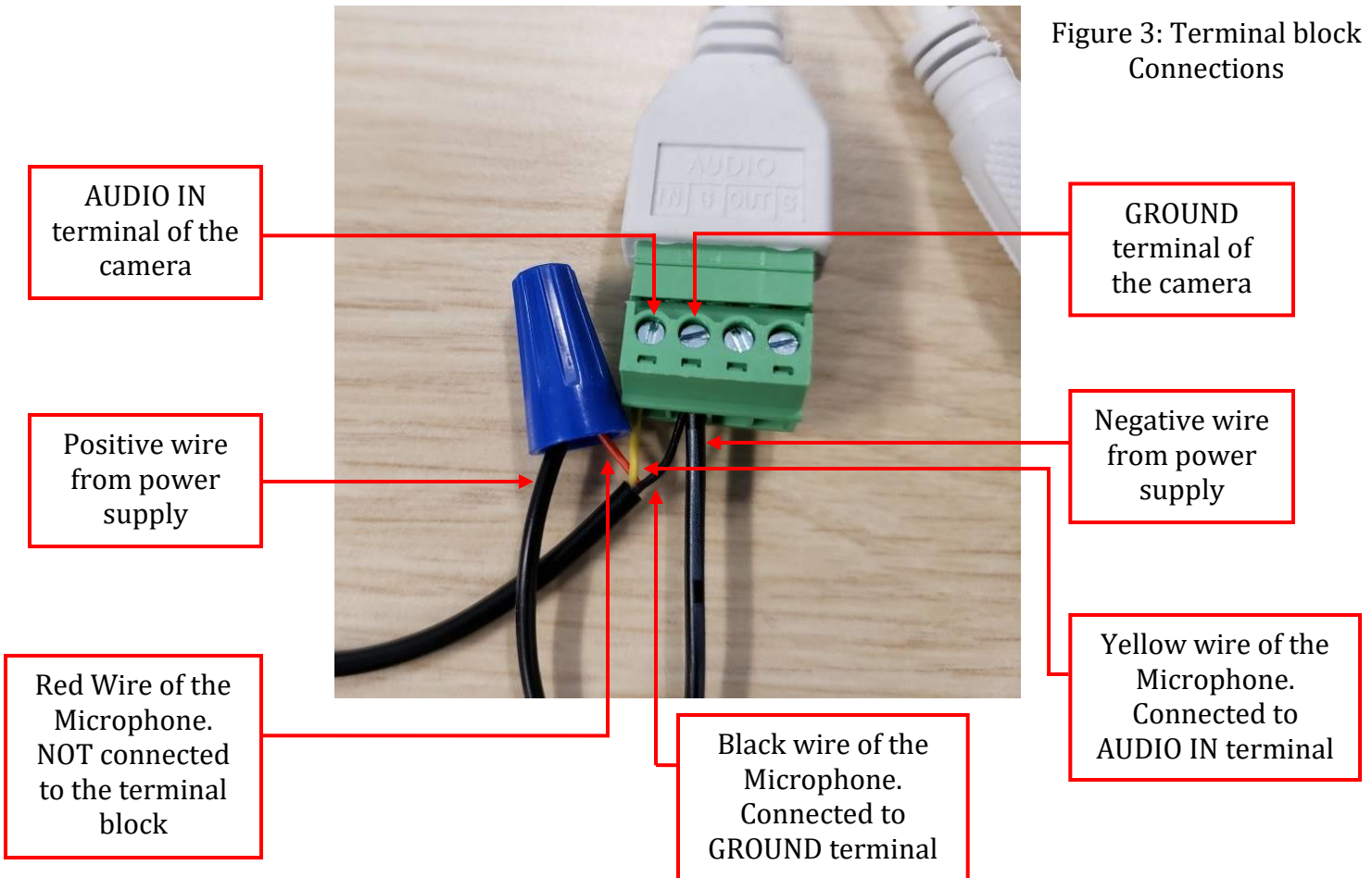


Figure 3: Terminal block Connections

Title:	Connecting Hikvision Microphones to Hikvision IP Cameras	Version:	1.0	Date:	3/29/19
Product:	DS-2FP2020 and DS-2FP4021-B				
Action Required:	None, Information only				

Some cameras may not have a terminal block for audio connections, but instead may have 3.5mm audio jacks (headphone jack). In this situation a male 3.5 mm mono jack (Figure 4) and solder the microphone's yellow wire to the positive lead and the black wire to the ground lead. Also, solder the negative wire from the power supply to the Ground terminal. The red wire connects to the positive terminal of the power supply.



Please note, that on some of the microphone models the yellow wire can be white. Please follow the same exact steps and connect the white wire where the instructions call for the yellow one.