

DS-QAZ1206G1-BE
6 W Network Ceiling Speaker

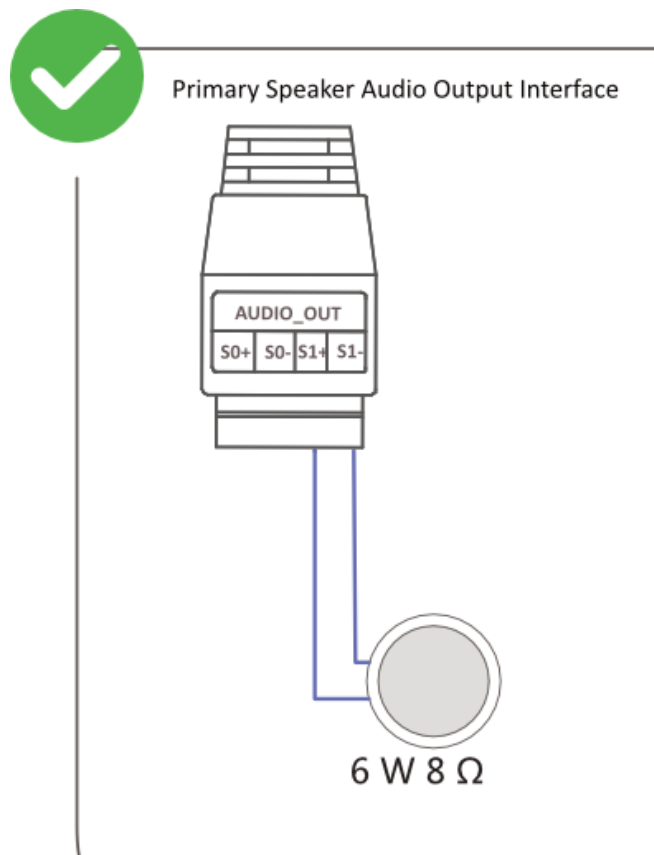
- Adopt high-speed industrial grade dual core chips, built-in NOR Flash+EMMC dual storage, support dual backup of the system to ensure stable and reliable system performance.
- Support secure startup, user login locking mechanism, and password complexity prompts, support security audit log traceability, and improve system network security.
- Support batch unified management of remote platforms through IP networks (local area networks/public networks) and flexible configuration of local WEB single machines, while also support local audio collection and playback, adapting to various scene applications.
- Support fixed resistance output and can be connected to an external sub speaker to increase the coverage area of the sound field, saving installation and wiring costs.
- Support alarm input, arming schedule, and audio linkage, support TTS speech synthesis and text broadcasting, with natural and smooth standard male and female dual audio options.

▪ Specification

Speaker	
Rated Power	6 W
Impedance	8 Ω
Max. Acoustic Pressure	100 dBSPL
Sensitivity(1 m, 1 W)	93 dB
Direction	All directions
Frequency Response	300 Hz to 15 kHz
SNR	82 dB
Function	
Audio Algorithm	AEC、AGC、ANS、DRC
Audio Bit Rate	G.711ulaw(64 Kbps)/G.711alaw(64 Kbps)/MP3(128 Kbps)
Audio File Format	MP3, WAV
NTP Timing	Support
Broadcast	Regular broadcast, live broadcast, emergency broadcast
Speech Synthesis	English
Network	
Network Protocol	IPv4, HTTP, HTTPS , SSL/TLS , DNS, NTP, TCP, UDP, IGMP, ICMP, DHCP, ARP, SSH
Interface Protocol (API)	ISAPI, ISUP, RTP
Functions	
Audio Function	Support digital noise reduction, manually adjustable for 5 gears to ensure communication/audio quality.
Communication	
Communication Method	Support wired network and bluetoothcommunication
Interface	
Ethernet Interface	RJ45 10 M/100 M Adaptive Ethernet port \times 1
Local Storage	Built-in 4 GB EMMC (Audio file storage is 1 GB.)
API	ISAPI, ISUP
Alarm	Alarm input \times 2
Audio In	3.5 mm audio interface \times 1
Audio Out	fixed resistance output \times 1 , phoenix terminal , 8 Ω *The primary speaker(6 W, 8 Ω) can be connected to a maximum of 1 secondary speaker(6 W, 8 Ω).
General	
Power	PoE: 802.3at , 12 VDC/1.5 A
Material	Device body: plastic; Mesh cover: metal
Language	5 languages: English, French, Spanish, German, Italian
Dimension	\varnothing 179 mm \times 73.5 mm (\varnothing 7.05" \times 2.89") (Hole size: 160 mm)
Package Dimension	255 mm \times 243 mm \times 175 mm (10.04" \times 9.57" \times 6.89")
Weight	Approx. 0.3 kg (0.66 lb.)
With Package Weight	Approx. 0.5 kg (1.1 lb.)
Color	White

Packing List	Device × 1 Mesh cover × 1 Regulatory Compliance and Safety Information × 1
Operating Temperature	-10 °C to 50 °C(14 °F to 122 °F)
Operating Humidity	< 90% (No condensation)
Approval	
RF	CE-RED:EN 301489-1 V2.2.3 (BT or 2.4G),EN 301489-17 V3.2.4 (BT or 2.4G),EN 300 328 V2.2.2 (BT or 2.4G) ,EN62311 2020(BT or 2.4G) RCM: EN 300 328 V2.2.2 (BT or 2.4G) ,AS/NZS 2772.2:2016+A1:2018, ARPANSA RPS S-1 Radiation Protection Series S-1 (Rev.1), ARPANSA RPS S01 Advisory Note IC ID: RSS-247(BT or 2.4G) ANATEL: Resolution No. 680/2017,Act No. 14448/2017,Act No. 950/2018,Act No. 1120/2018
EMC	CE-EMC: EN 55032:2015+A11:2020+A1:2020, EN IEC 61000-3-2:2019, EN 61000-3-3:2013+A1:2019+A2:2021, EN 55035:2017+A11:2020 RCM: AS/NZS CISPR 32: 2015 IC: ICES-003: Issue 7
Safety	CB: IEC 62368-1:2014 CE-LVD: EN 62368-1:2014/A11:2017
Environment	CE-RoHS: 2011/65/EU WEEE: 2012/19/EU Reach: Regulation (EC) No 1907/2006

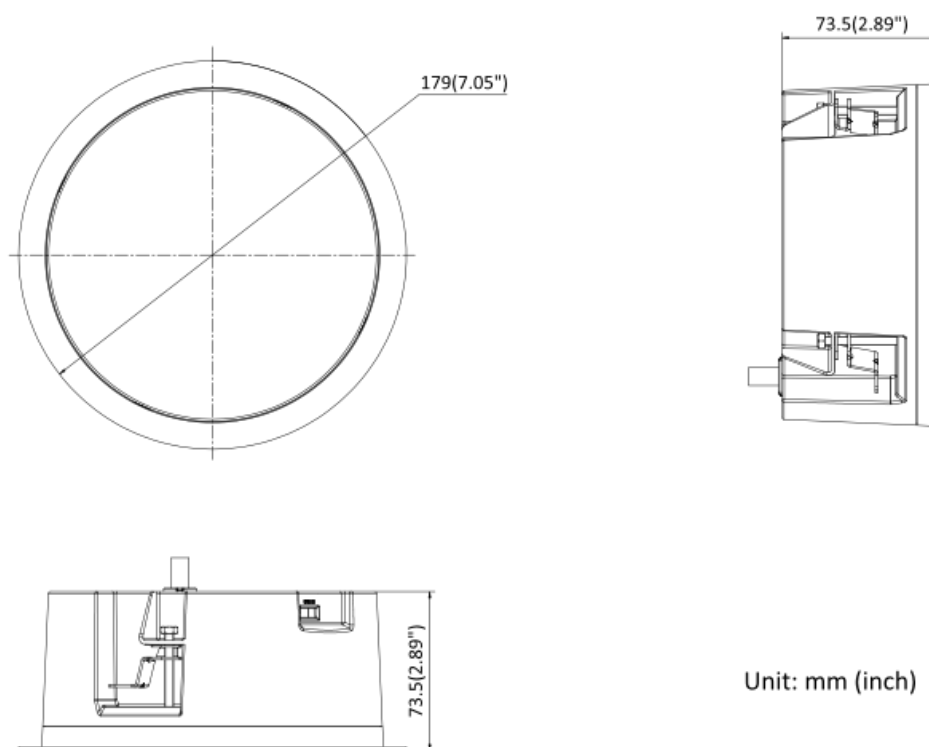
▪ **Wiring**



▪ **Available Model**

DS-QAZ1206G1-BE

▪ **Dimension**



Unit: mm (inch)

Headquarters

No.555 Qianmo Road, Binjiang District,
Hangzhou 310051, China
T +86-571-8807-5998
www.hikvision.com



Follow us on social media to get the latest product and solution information.

