

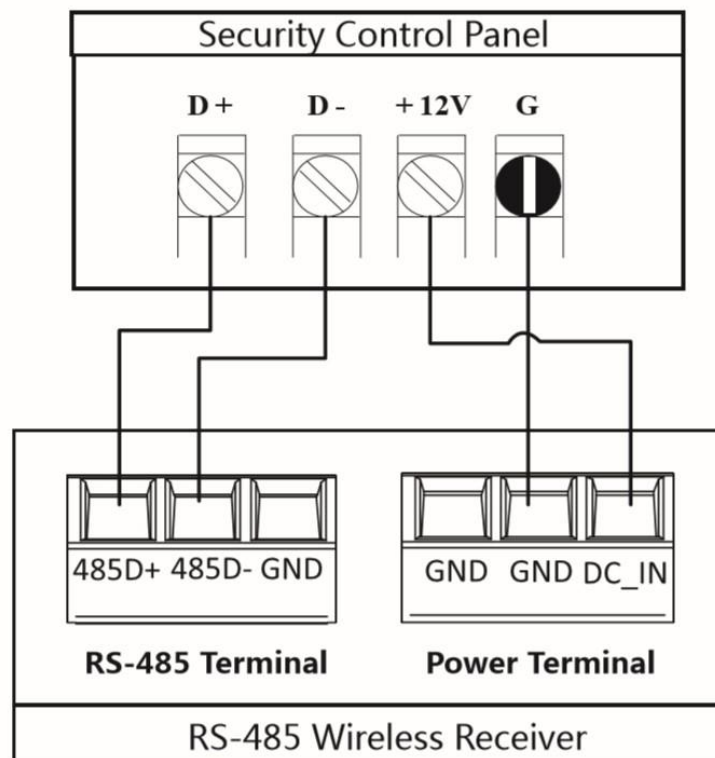
Title:	DS-19A How to configure RS485 Wireless Receiver Module	Version:	v1.1	Date:	04/30/2019
Product:	DS-19A Series Network Security Control Panel			Page:	1 of 5

Preparation

1. DS-19A08-BNG Security Control Panel
2. RS485 wireless Receiver Module DS-PM-RSWR

How to configure RS485 Wireless Receiver Module

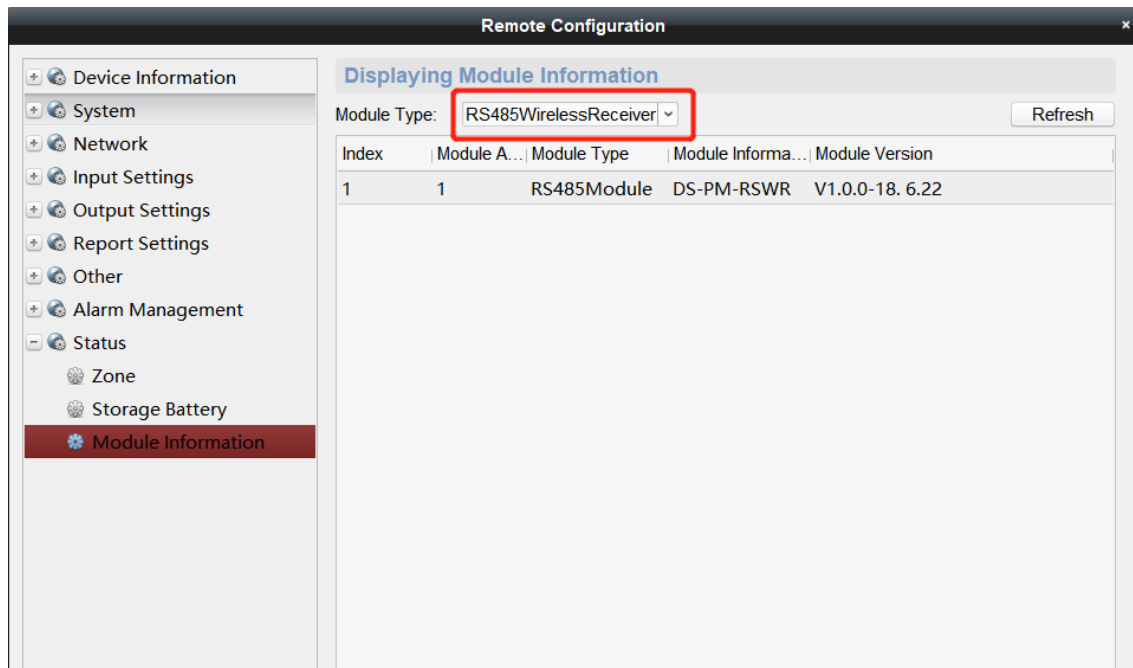
1. Confirm Security Control Panel model support RS485 Wireless Receiver Module, Control Panel **Firmware need \geq V2.3.3**
2. Confirm the Detector support module frequency **433MHz**
3. DS-19A08-01BNG for example, connect the RS485 wireless module shown below:



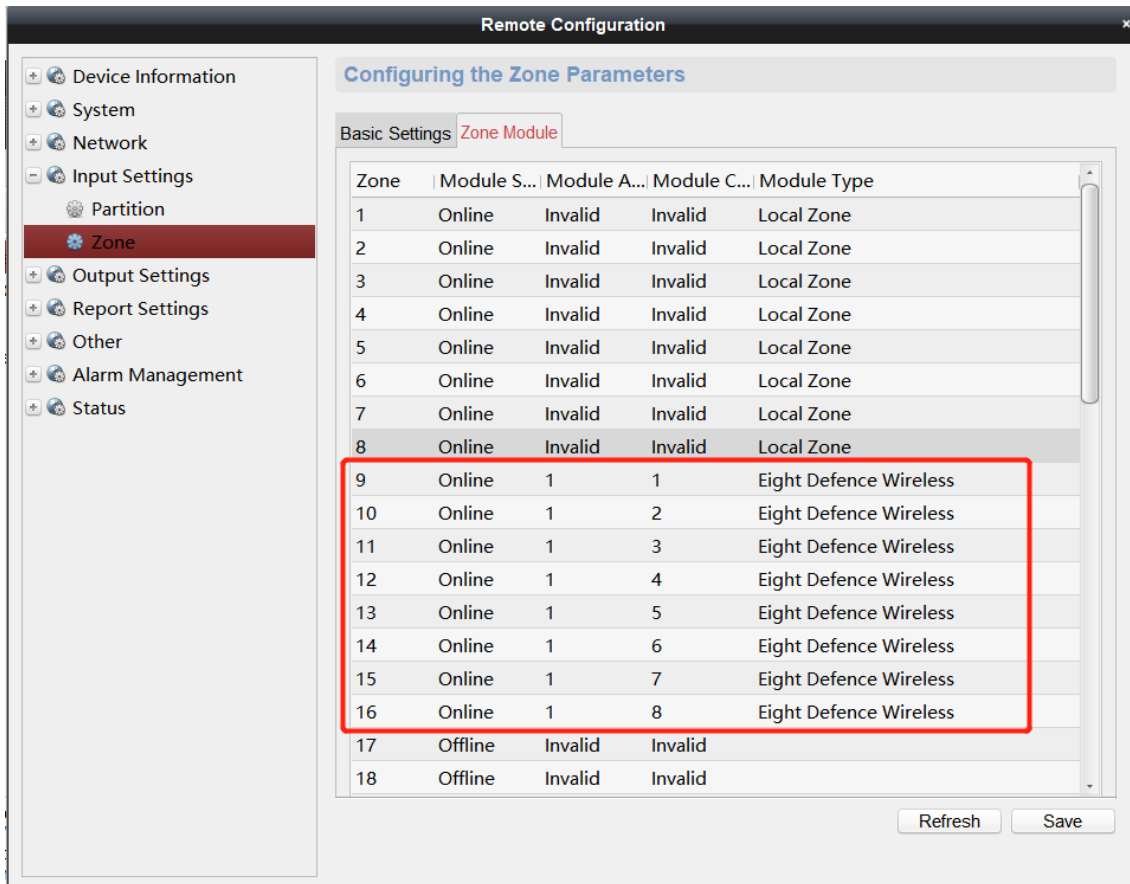
Title:	DS-19A How to configure RS485 Wireless Receiver Module	Version:	v1.1	Date:	04/30/2019
Product:	DS-19A Series Network Security Control Panel			Page:	2 of 5

4. Check the Wireless Receiver module Status in iVMS-4200

- 1) Open Status---Module Information
- 2) Select Module Type---RS485 Wireless Receiver
- 3) Check the Module status and address.



Title:	DS-19A How to configure RS485 Wireless Receiver Module	Version:	v1.1	Date:	04/30/2019
Product:	DS-19A Series Network Security Control Panel			Page:	3 of 5



Network Security Control Panel

8-Zone Control Panel

- Add.1->Zone 9-16
- Add.2->Zone 17-24
- Add.3->Zone 25-32
- Add.4->Zone 33-40
- Add.5->Zone 41-48

16-Zone Control Panel

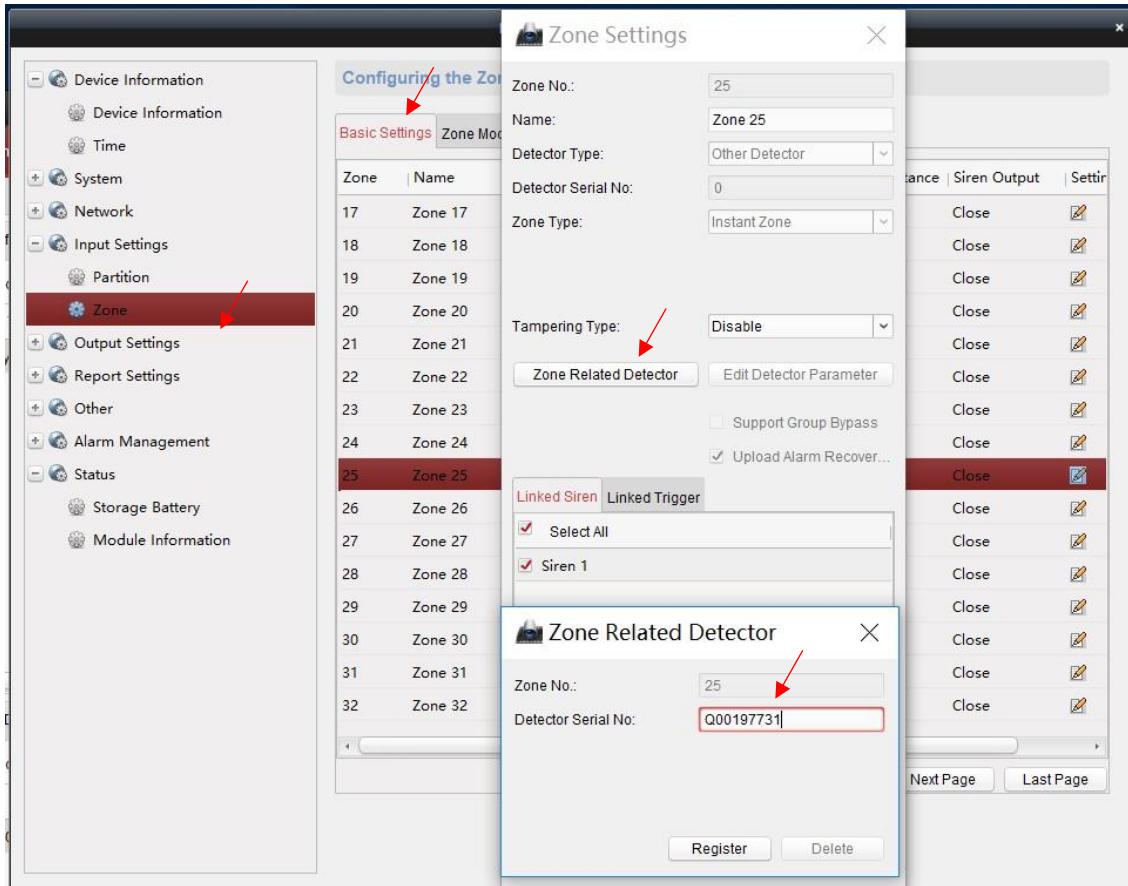
- Add.2->Zone 17-24
- Add.3->Zone 25-32
- Add.4->Zone 33-40
- Add.5->Zone 41-48

Bus Security Control Panel

- Add.1->Zone 9-16
- Add.2->Zone 17-24
- Add.3->Zone 25-32
- Add.4->Zone 33-40
- Add.5->Zone 41-48
- ⋮
- Add.29->Zone 233-240
- Add.30->Zone 241-248
- Add.31->Zone 249-256

Title:	DS-19A How to configure RS485 Wireless Receiver Module	Version:	v1.1	Date:	04/30/2019
Product:	DS-19A Series Network Security Control Panel			Page:	4 of 5

5. Add Detector as the following figure, you can add detector use SN number, click on Register and then trigger detector, wireless detector will be added



Detector can also be registered by keyboard instructions.

【operator password】 + 【*】 + 【95】 + 【Zone number】 + 【#】

Example: Zone 09 register: 1234*95090#

Note: After keyboard input instructions, the keyboard and RS485 wireless receiver are all in registration model, and then trigger detector, it can be registered successfully.

Remove wireless Receiver Module:

【Installers password】 + 【*】 + 【Project】 + 【Module Address】 + 【#】

Example: Remove Module Address 1: 012345*Project01#



Title:	DS-19A How to configure RS485 Wireless Receiver Module	Version:	v1.1	Date:	04/30/2019
Product:	DS-19A Series Network Security Control Panel			Page:	5 of 5

First Choice for Security Professionals
HIKVISION Technical Support