



# Guidance Screen

User Manual

## Legal Information

©2022 Hangzhou Hikvision Digital Technology Co., Ltd. All rights reserved.

### About this Manual

The Manual includes instructions for using and managing the Product. Pictures, charts, images and all other information hereinafter are for description and explanation only. The information contained in the Manual is subject to change, without notice, due to firmware updates or other reasons. Please find the latest version of this Manual at the Hikvision website (<https://www.hikvision.com/>).

Please use this Manual with the guidance and assistance of professionals trained in supporting the Product.

### Trademarks

**HIKVISION** and other Hikvision's trademarks and logos are the properties of Hikvision in various jurisdictions.

Other trademarks and logos mentioned are the properties of their respective owners.

### Disclaimer

TO THE MAXIMUM EXTENT PERMITTED BY APPLICABLE LAW, THIS MANUAL AND THE PRODUCT DESCRIBED, WITH ITS HARDWARE, SOFTWARE AND FIRMWARE, ARE PROVIDED "AS IS" AND "WITH ALL FAULTS AND ERRORS". HIKVISION MAKES NO WARRANTIES, EXPRESS OR IMPLIED, INCLUDING WITHOUT LIMITATION, MERCHANTABILITY, SATISFACTORY QUALITY, OR FITNESS FOR A PARTICULAR PURPOSE. THE USE OF THE PRODUCT BY YOU IS AT YOUR OWN RISK. IN NO EVENT WILL HIKVISION BE LIABLE TO YOU FOR ANY SPECIAL, CONSEQUENTIAL, INCIDENTAL, OR INDIRECT DAMAGES, INCLUDING, AMONG OTHERS, DAMAGES FOR LOSS OF BUSINESS PROFITS, BUSINESS INTERRUPTION, OR LOSS OF DATA, CORRUPTION OF SYSTEMS, OR LOSS OF DOCUMENTATION, WHETHER BASED ON BREACH OF CONTRACT, TORT (INCLUDING NEGLIGENCE), PRODUCT LIABILITY, OR OTHERWISE, IN CONNECTION WITH THE USE OF THE PRODUCT, EVEN IF HIKVISION HAS BEEN ADVISED OF THE POSSIBILITY OF SUCH DAMAGES OR LOSS.

YOU ACKNOWLEDGE THAT THE NATURE OF THE INTERNET PROVIDES FOR INHERENT SECURITY RISKS, AND HIKVISION SHALL NOT TAKE ANY RESPONSIBILITIES FOR ABNORMAL OPERATION, PRIVACY LEAKAGE OR OTHER DAMAGES RESULTING FROM CYBER-ATTACK, HACKER ATTACK, VIRUS INFECTION, OR OTHER INTERNET SECURITY RISKS; HOWEVER, HIKVISION WILL PROVIDE TIMELY TECHNICAL SUPPORT IF REQUIRED.

YOU AGREE TO USE THIS PRODUCT IN COMPLIANCE WITH ALL APPLICABLE LAWS, AND YOU ARE SOLELY RESPONSIBLE FOR ENSURING THAT YOUR USE CONFORMS TO THE APPLICABLE LAW. ESPECIALLY, YOU ARE RESPONSIBLE, FOR USING THIS PRODUCT IN A MANNER THAT DOES NOT INFRINGE ON THE RIGHTS OF THIRD PARTIES, INCLUDING WITHOUT LIMITATION, RIGHTS OF PUBLICITY, INTELLECTUAL PROPERTY RIGHTS, OR DATA PROTECTION AND OTHER PRIVACY RIGHTS. YOU SHALL NOT USE THIS PRODUCT FOR ANY PROHIBITED END-USES, INCLUDING THE DEVELOPMENT OR PRODUCTION OF WEAPONS OF MASS DESTRUCTION, THE DEVELOPMENT OR

## Guidance Screen User Manual




---

PRODUCTION OF CHEMICAL OR BIOLOGICAL WEAPONS, ANY ACTIVITIES IN THE CONTEXT RELATED TO ANY NUCLEAR EXPLOSIVE OR UNSAFE NUCLEAR FUEL-CYCLE, OR IN SUPPORT OF HUMAN RIGHTS ABUSES.

IN THE EVENT OF ANY CONFLICTS BETWEEN THIS MANUAL AND THE APPLICABLE LAW, THE LATTER PREVAILS.

## Symbol Conventions

The symbols that may be found in this document are defined as follows.

Symbol	Description
 <b>Danger</b>	Indicates a hazardous situation which, if not avoided, will or could result in death or serious injury.
 <b>Caution</b>	Indicates a potentially hazardous situation which, if not avoided, could result in equipment damage, data loss, performance degradation, or unexpected results.
 <b>Note</b>	Provides additional information to emphasize or supplement important points of the main text.

# Contents

<b>Chapter 1 Introduction .....</b>	<b>1</b>
<b>1.1 Product Introduction .....</b>	<b>1</b>
<b>1.2 Screen Type.....</b>	<b>1</b>
<b>Chapter 2 Installation .....</b>	<b>3</b>
<b>2.1 Installation .....</b>	<b>3</b>
<b>Chapter 3 configuration.....</b>	<b>4</b>
<b>3.1 Search Screen IP .....</b>	<b>4</b>
<b>3.2 Change Screen IP .....</b>	<b>5</b>
<b>3.3 Show IP in guidance screen.....</b>	<b>5</b>

# Chapter 1 Introduction

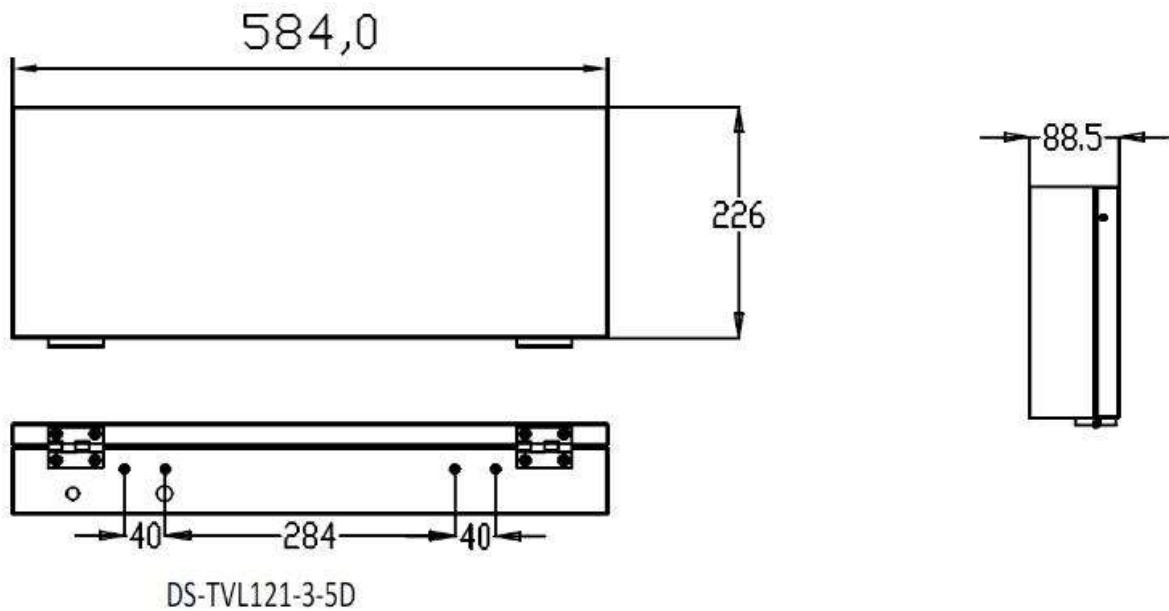
## 1.1 Product Introduction

This document is a guide for Guidance Screen installation and configuration.

## 1.2 Screen Type

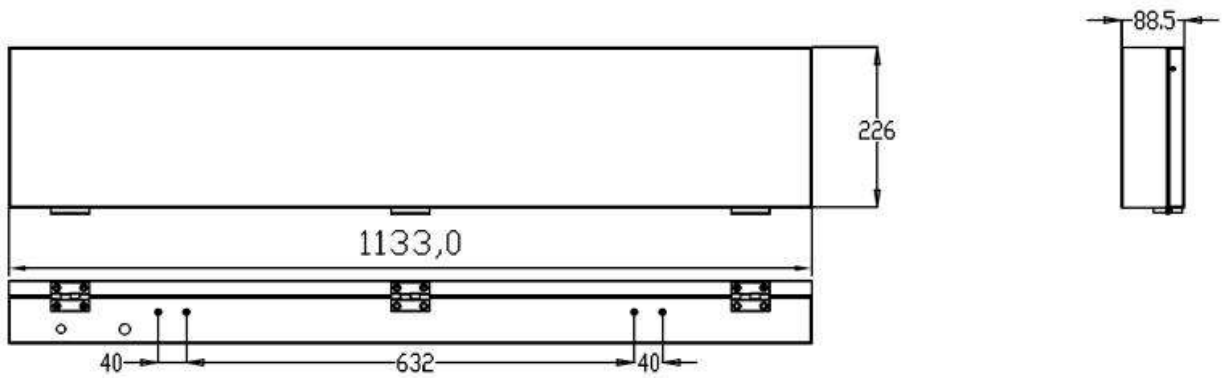
DS-TVL121-3-5D

Indoor screen, seven-color, Network Transmission, Support display 1 arrows and 3 numbers, Enhanced LED display case, IP54



DS-TVL121-6-5D

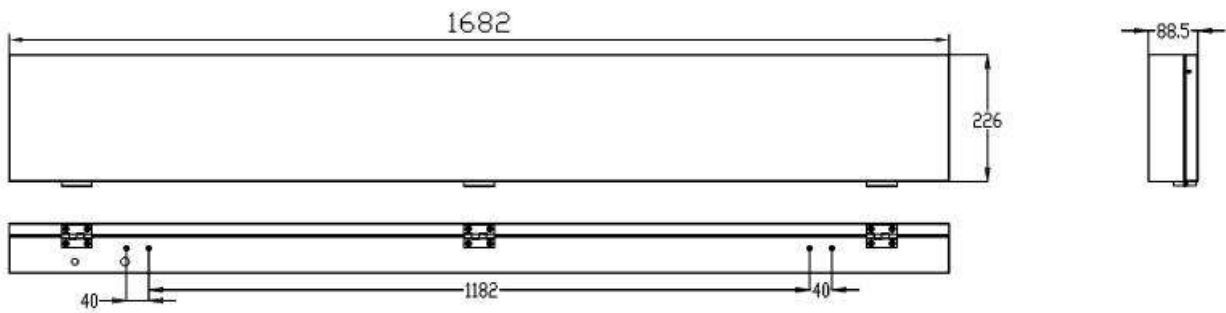
Indoor screen, seven-color, Network Transmission, Support display 2 arrows and 6 numbers, Enhanced LED display case, IP54



DS-TVL121-6-5D

### DS-TVL121-9-5D

Indoor screen, seven-color, Network Transmission, Support display 3 arrows and 9 numbers, Enhanced LED display case, IP54



DS-TVL121-9-5D

## Chapter 2 Installation

### 2.1 Installation

Here we take the installation of one type of screen for example



1. Install the bracket to the guidance screen, and fix it with M5 \*4 screws.



2. Confirm guidance screen height, adjust the extendable stick to the site requirements. Then fix to the ceiling with steel expansion screws.



3. Power on, test with related software

1. Install the bracket to the guidance screen, and fix it with M5 \*4 screws
2. Confirm guidance screen height, adjust the extendable stick to the site requirements. Then fix to the ceiling with steel expansion screws.
3. Power on, test with related software.

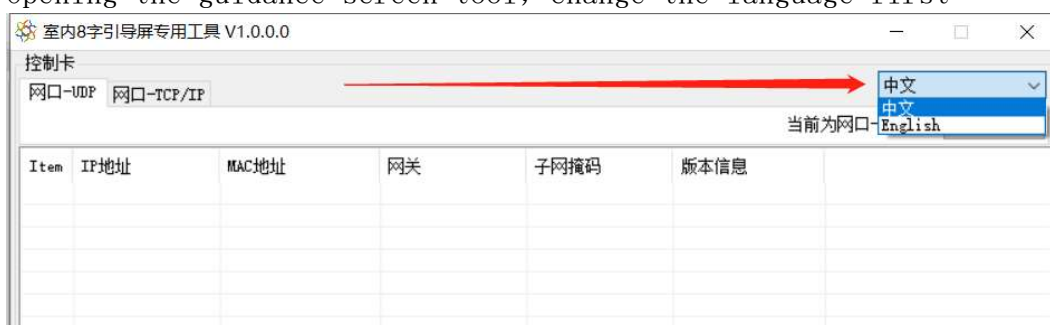


## Chapter 3 configuration

After the installation completes, power on the guidance screen, starting to configure the LED screen

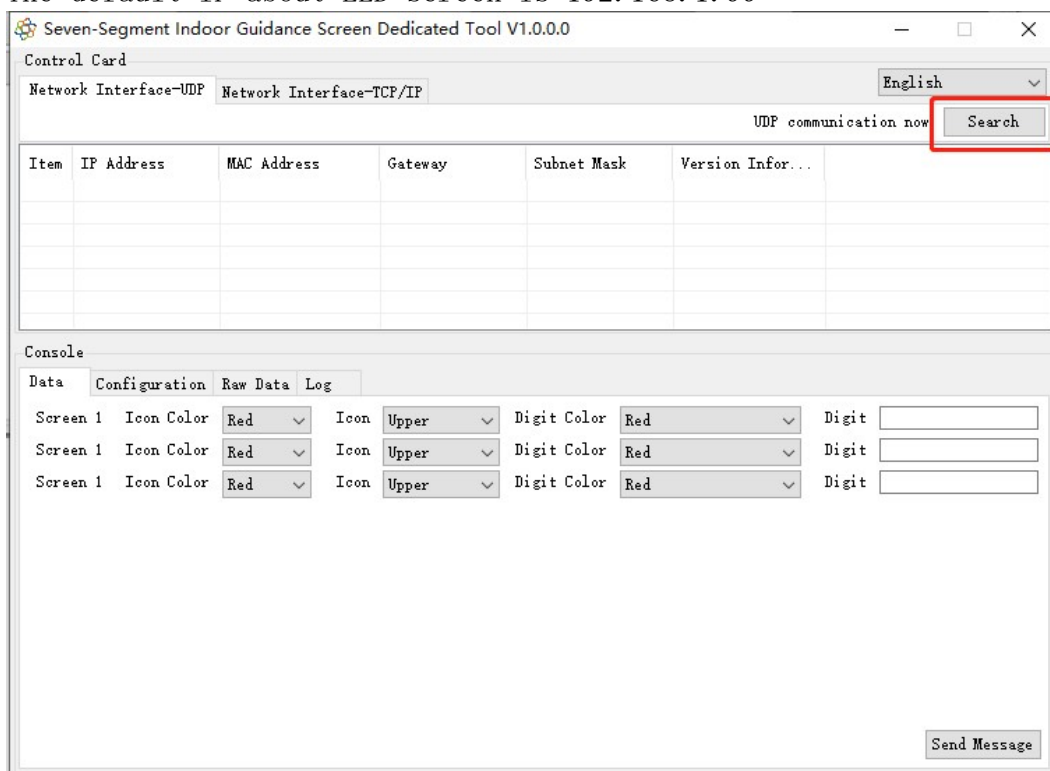
### 3.1 Search Screen IP

Opening the guidance screen tool, change the language first



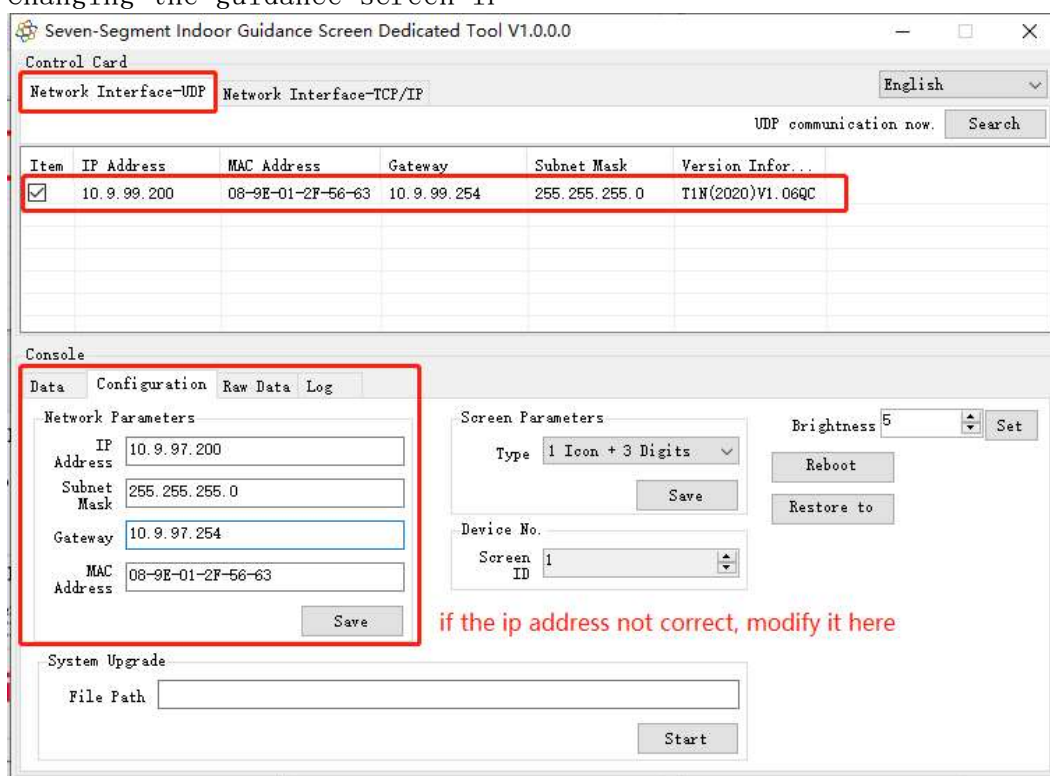
Click **Search**, find all the Guidance Screen

The default IP about LED screen is 192.168.1.99



## 3.2 Change Screen IP

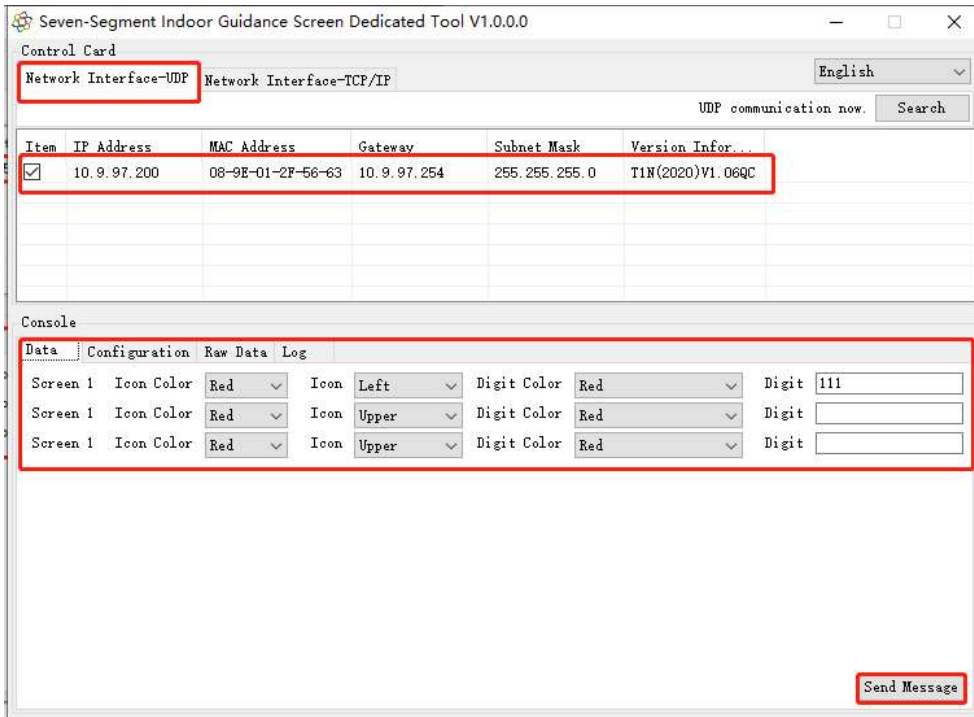
Changing the guidance screen IP



## 3.3 Show IP in guidance screen

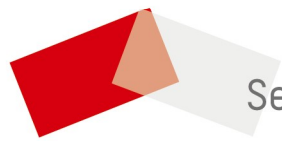
Set display content for every guidance screens, the Digit is the last part of its IP address. For 192.168.100.111, the content is "111"; 192.168.100.1 is "1". Select the screen and set the **Data**, then click **Send Message**

# Guidance Screen User Manual



The screen will change display. Then we can know the IP about this guidance screen





See Far, Go Further