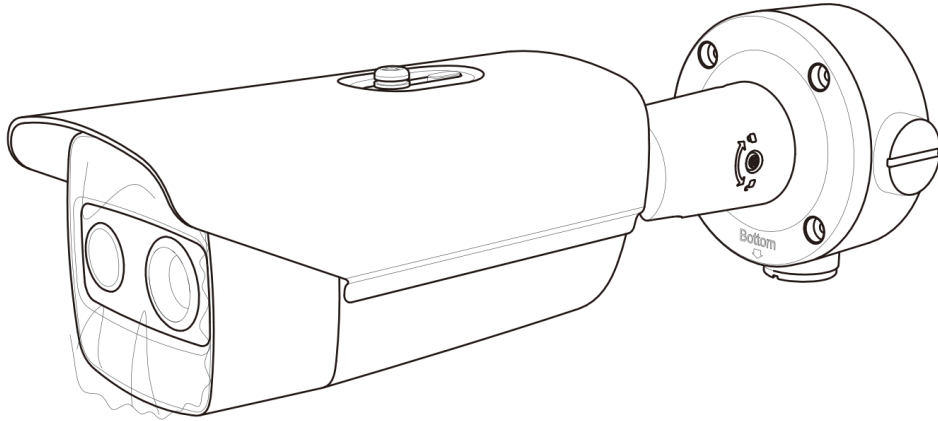
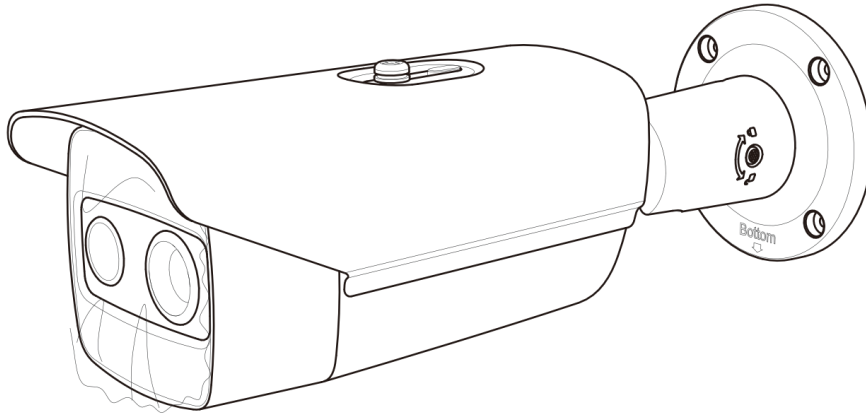




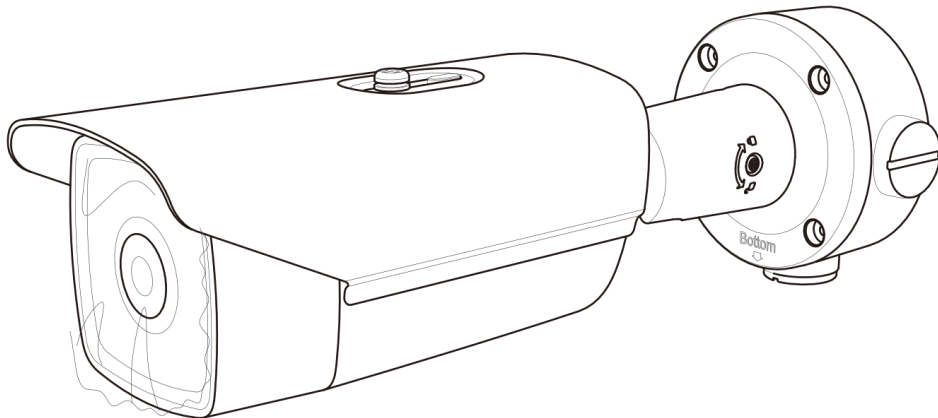
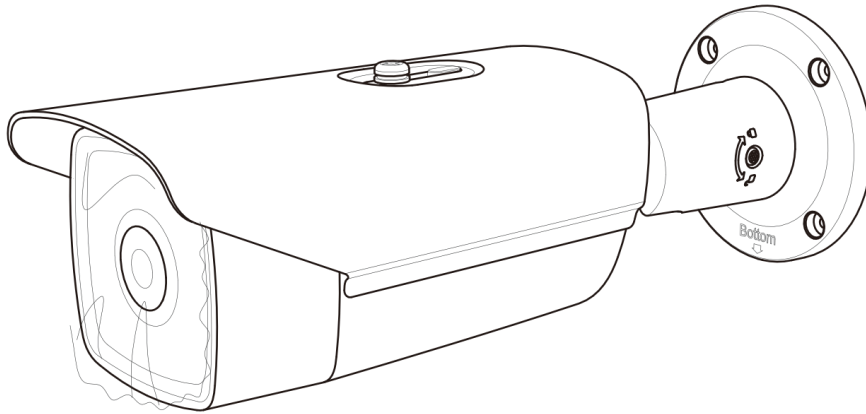
Thermal Network Bullet Camera

Quick Start Guide

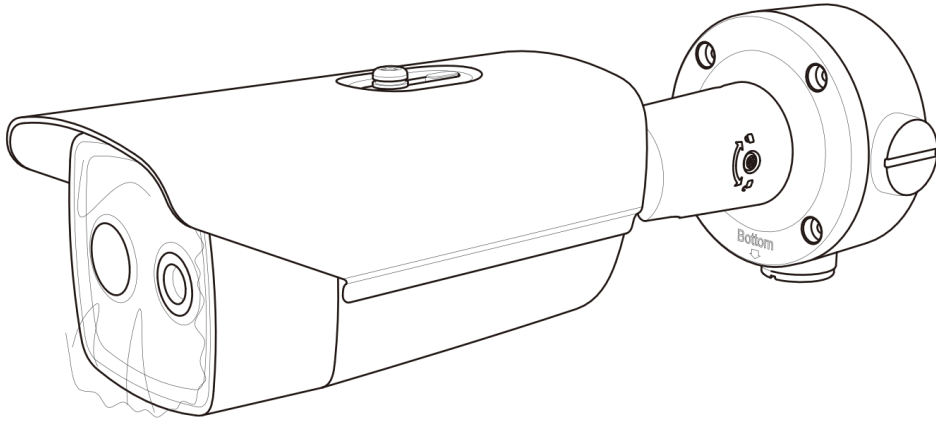
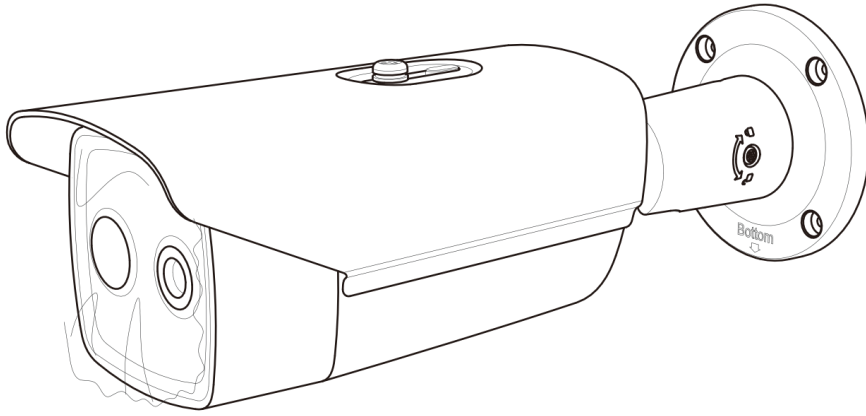
A.



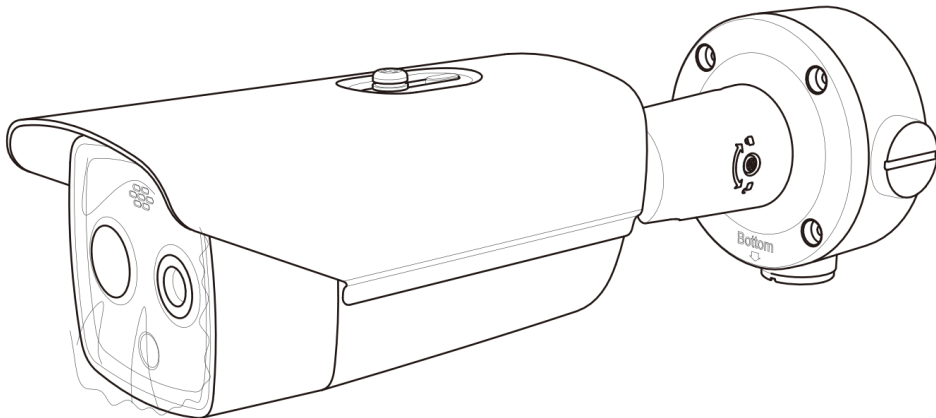
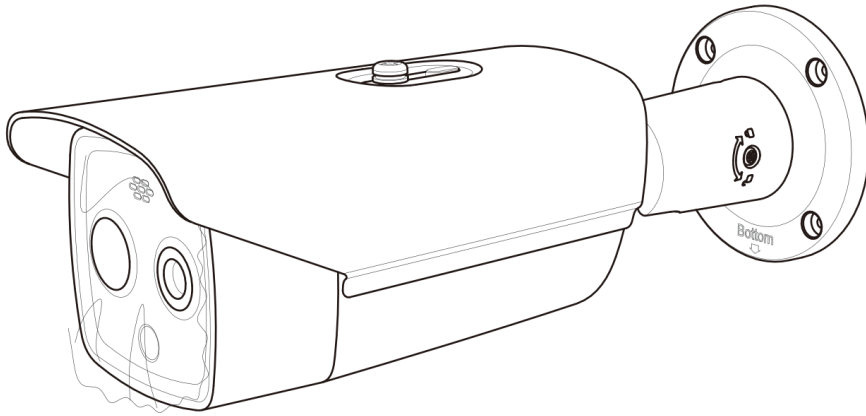
B.



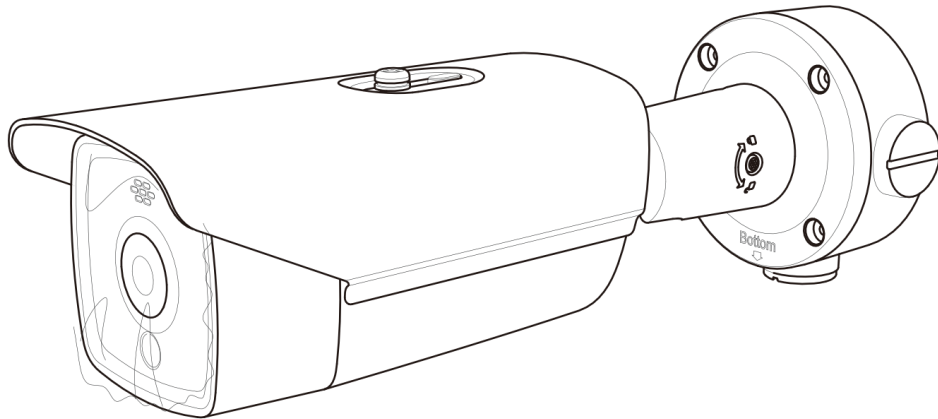
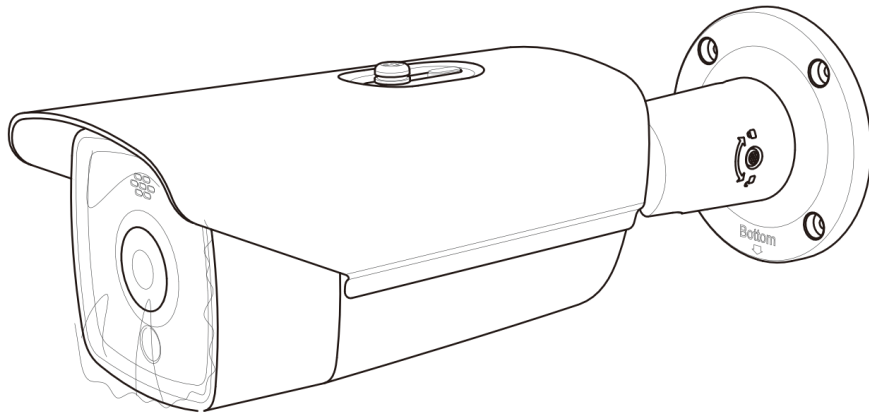
C.



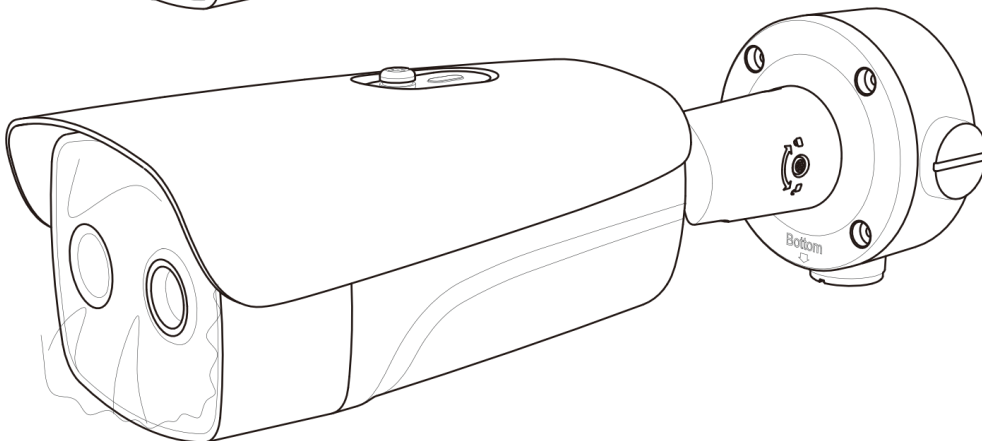
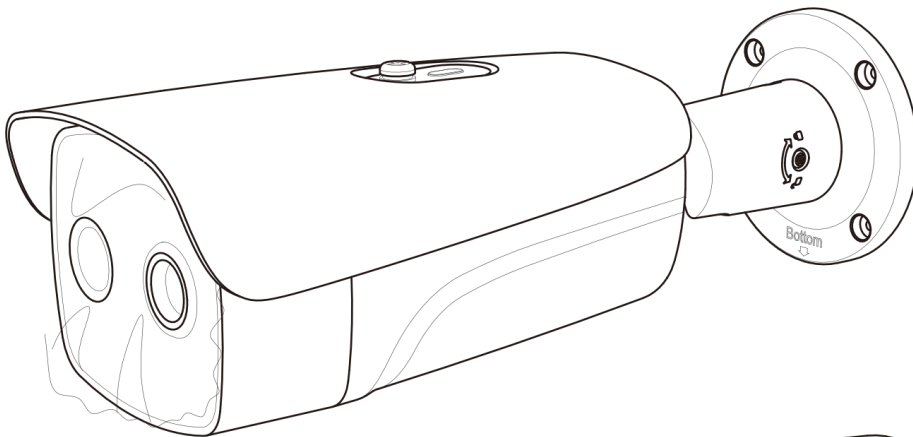
D.



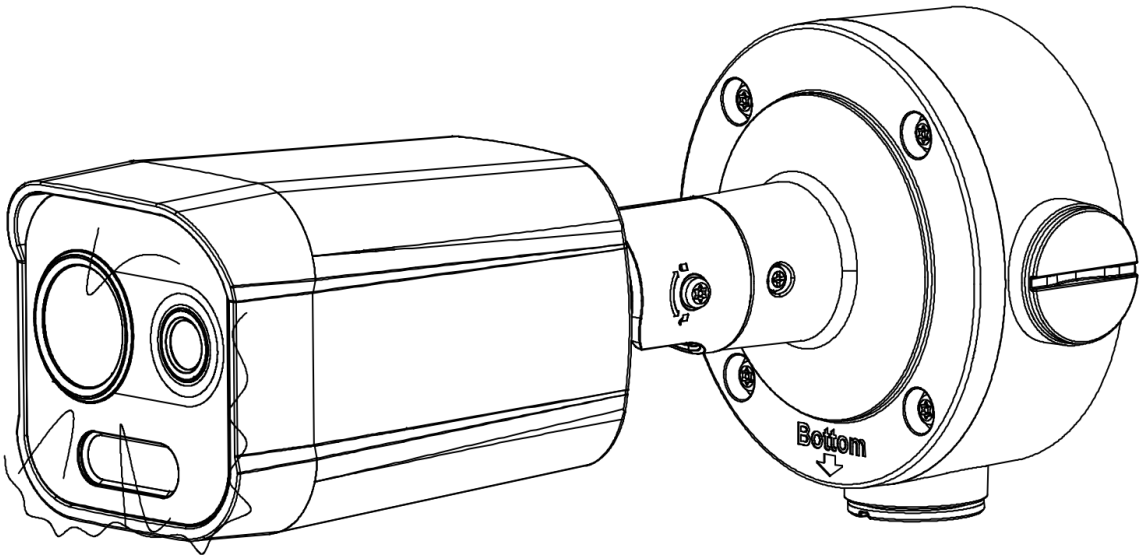
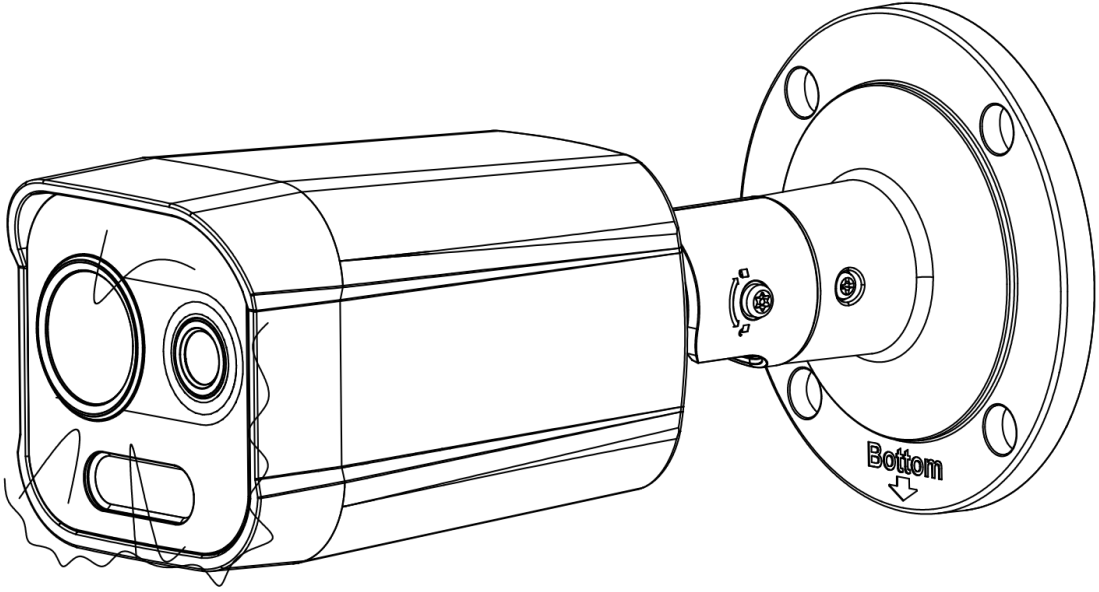
E.

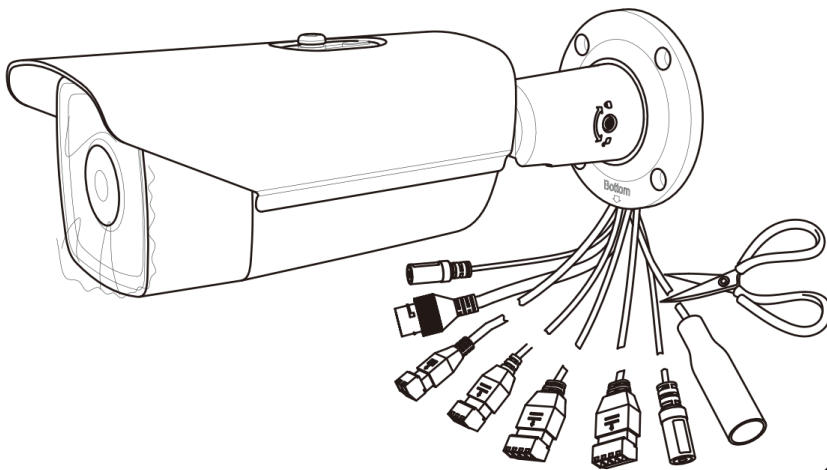
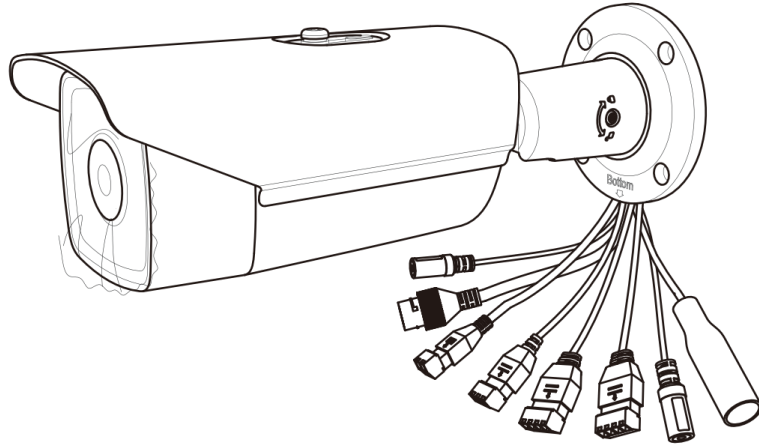


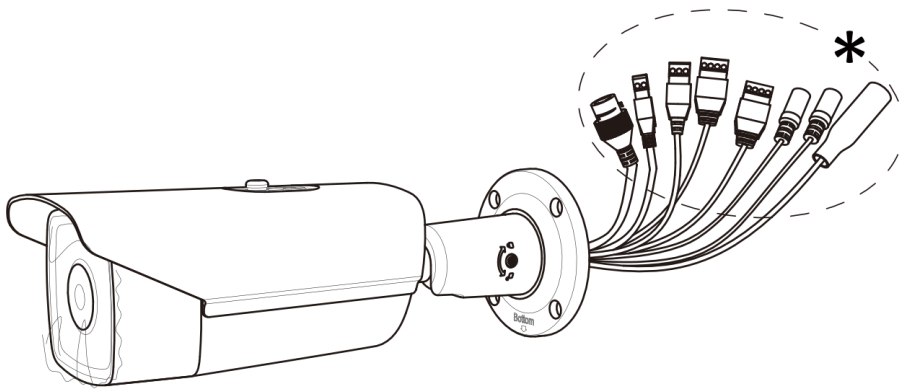
F.



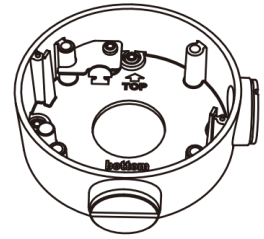
G.



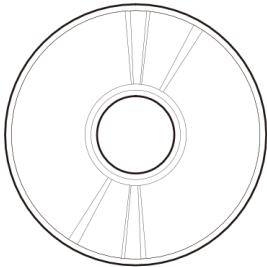




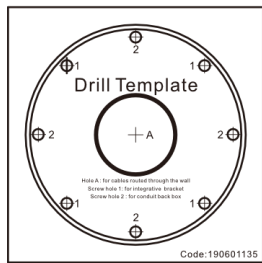
1x



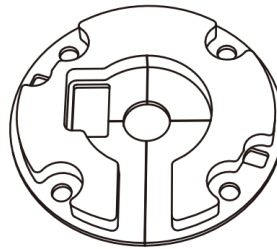
1x



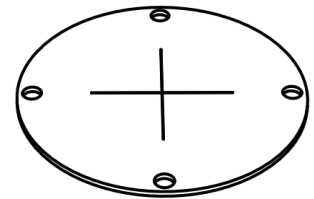
1x*



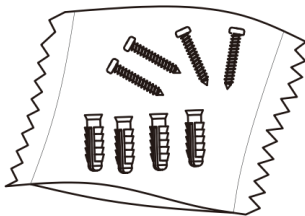
1x



1x

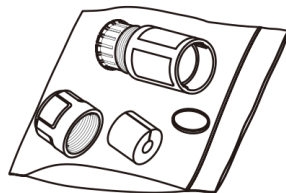


1x



PA4x25

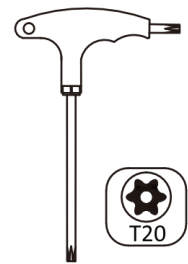
1x



1x



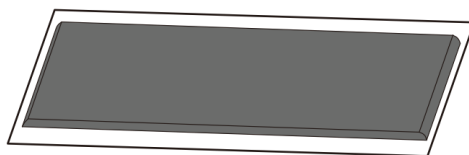
4x



1x



2x*



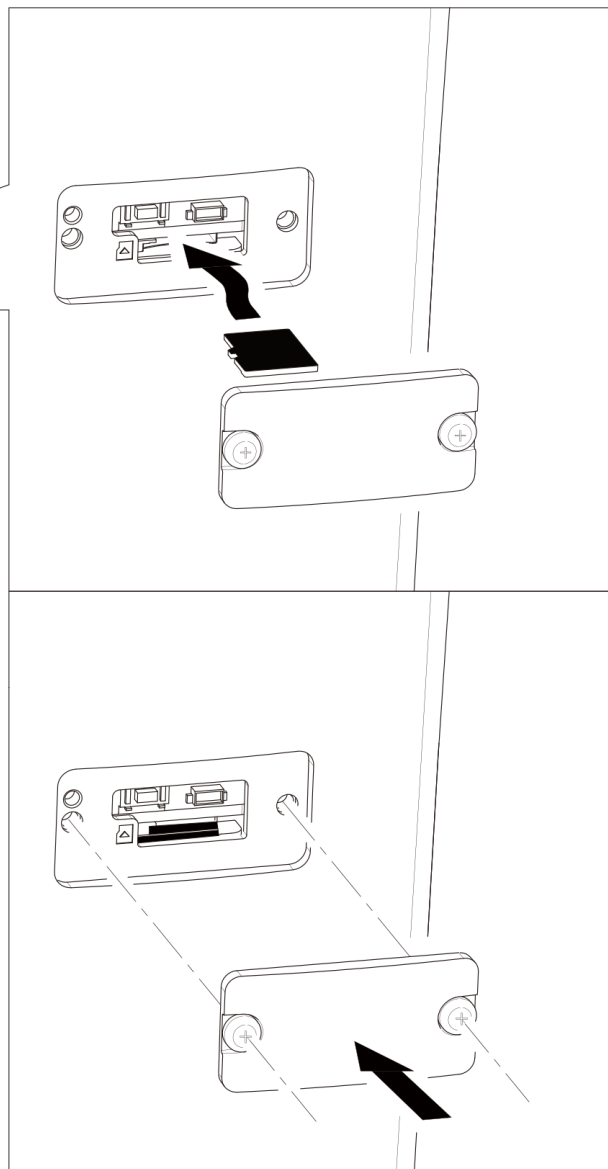
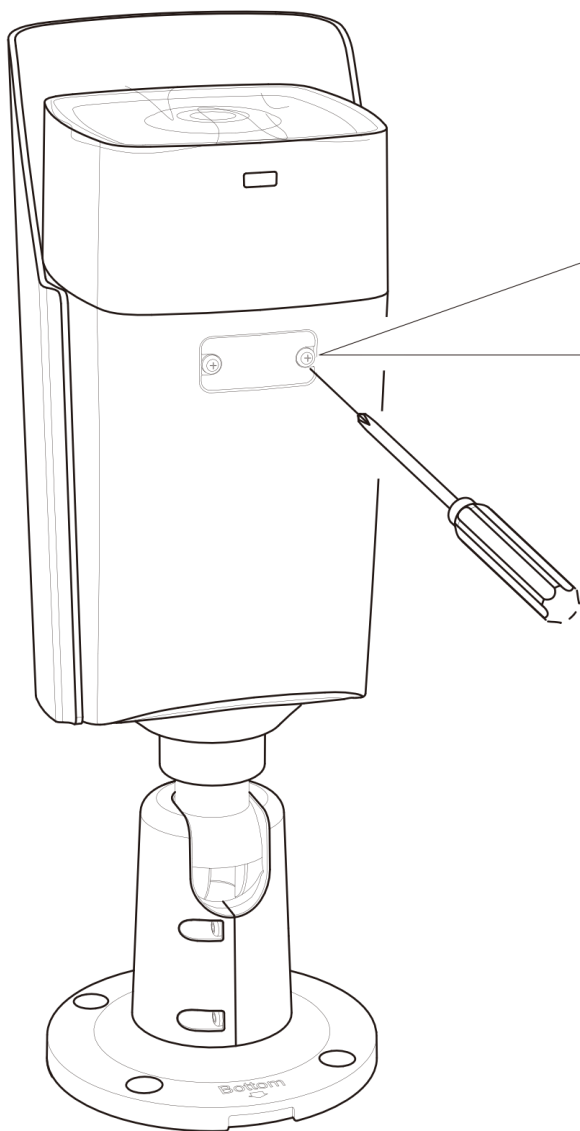
2x*



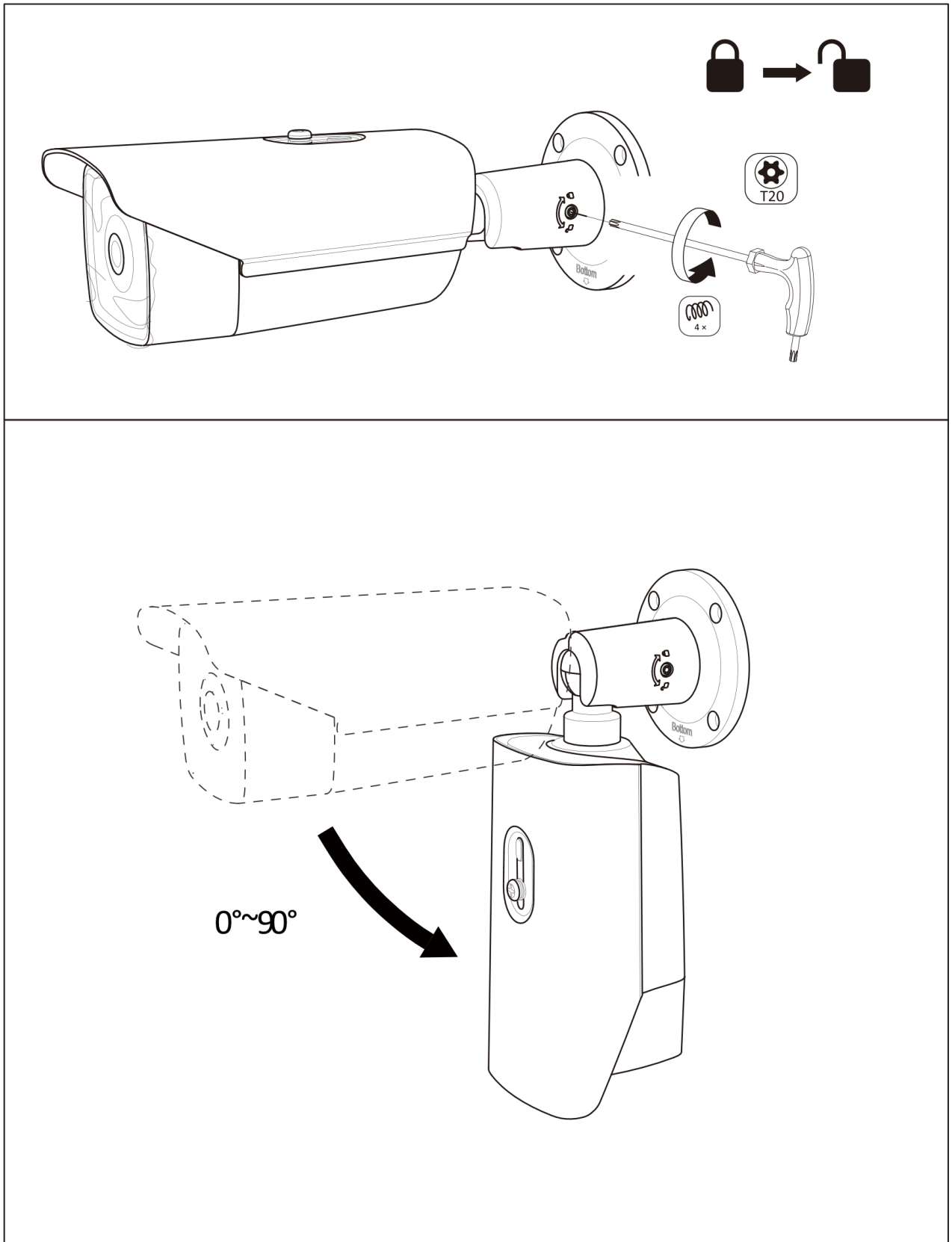
1x*

1.1*

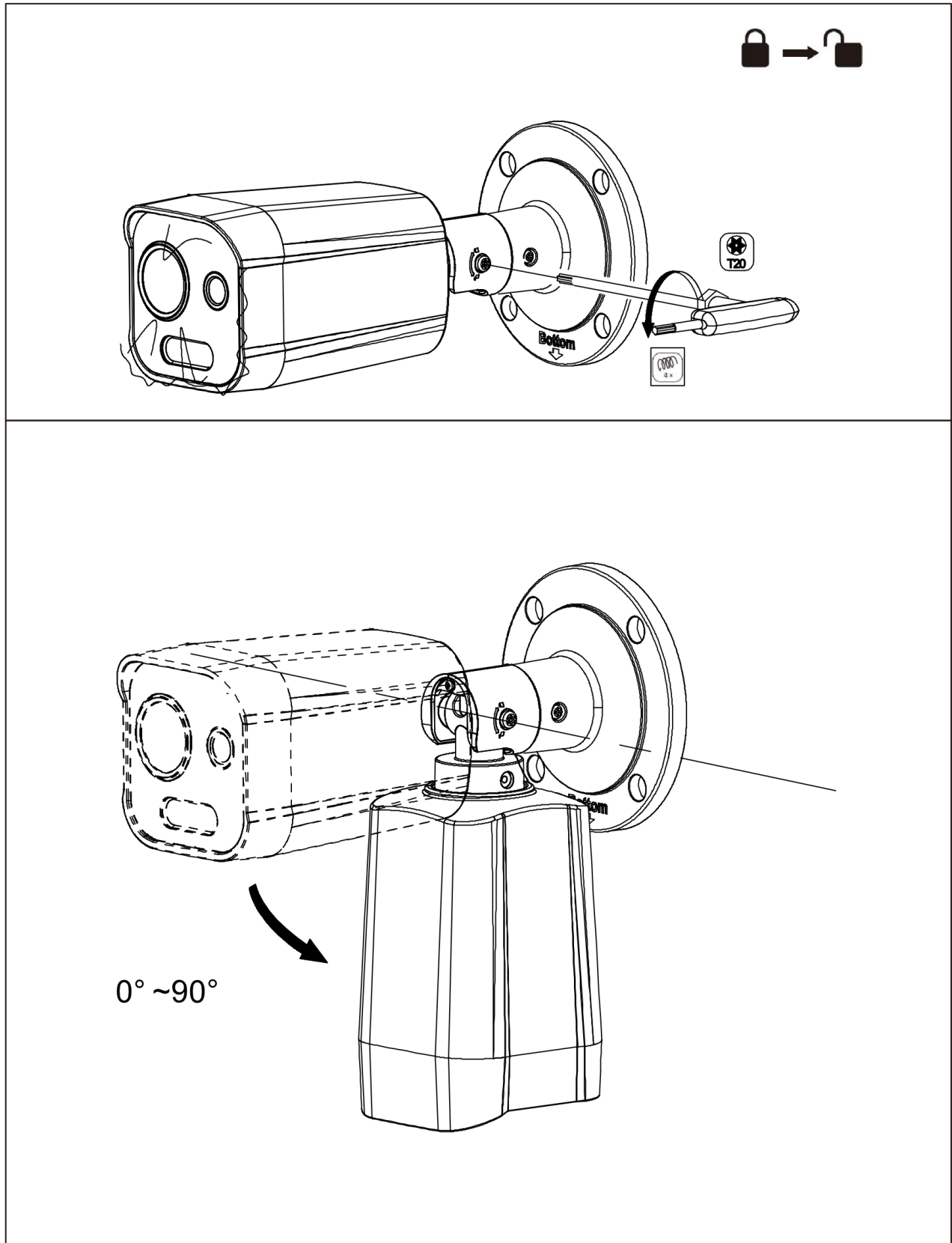
microSD 



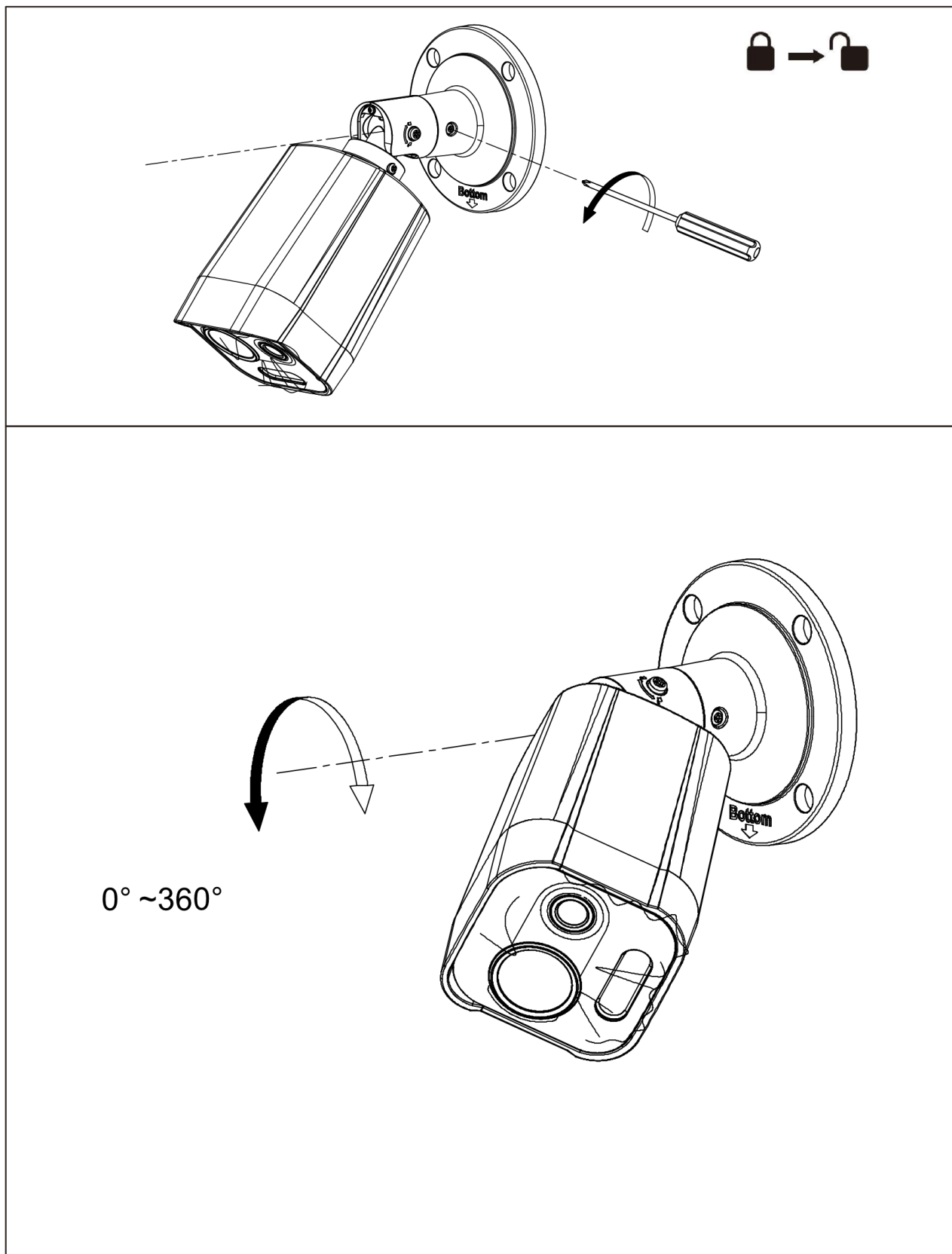
1.2



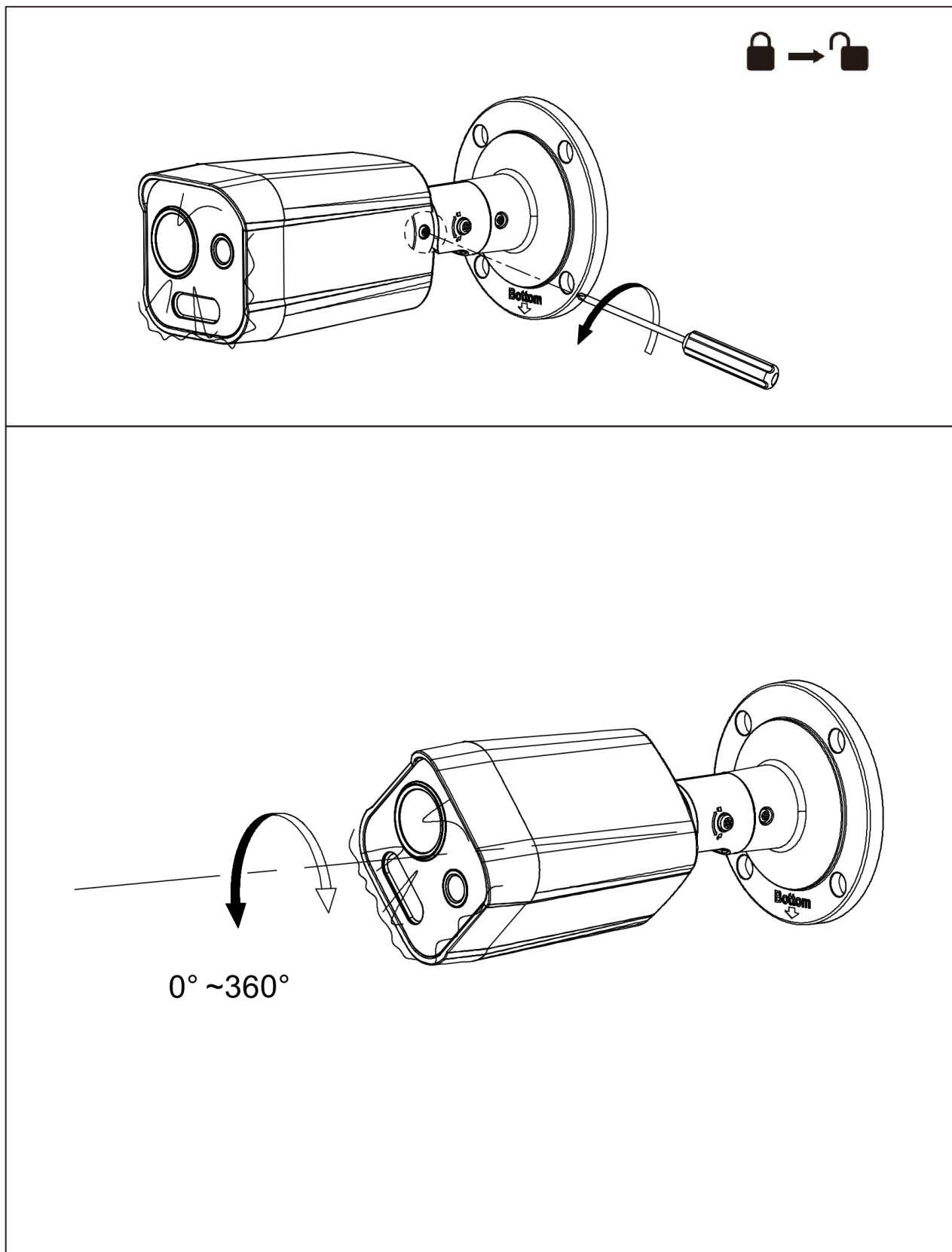
1.2*



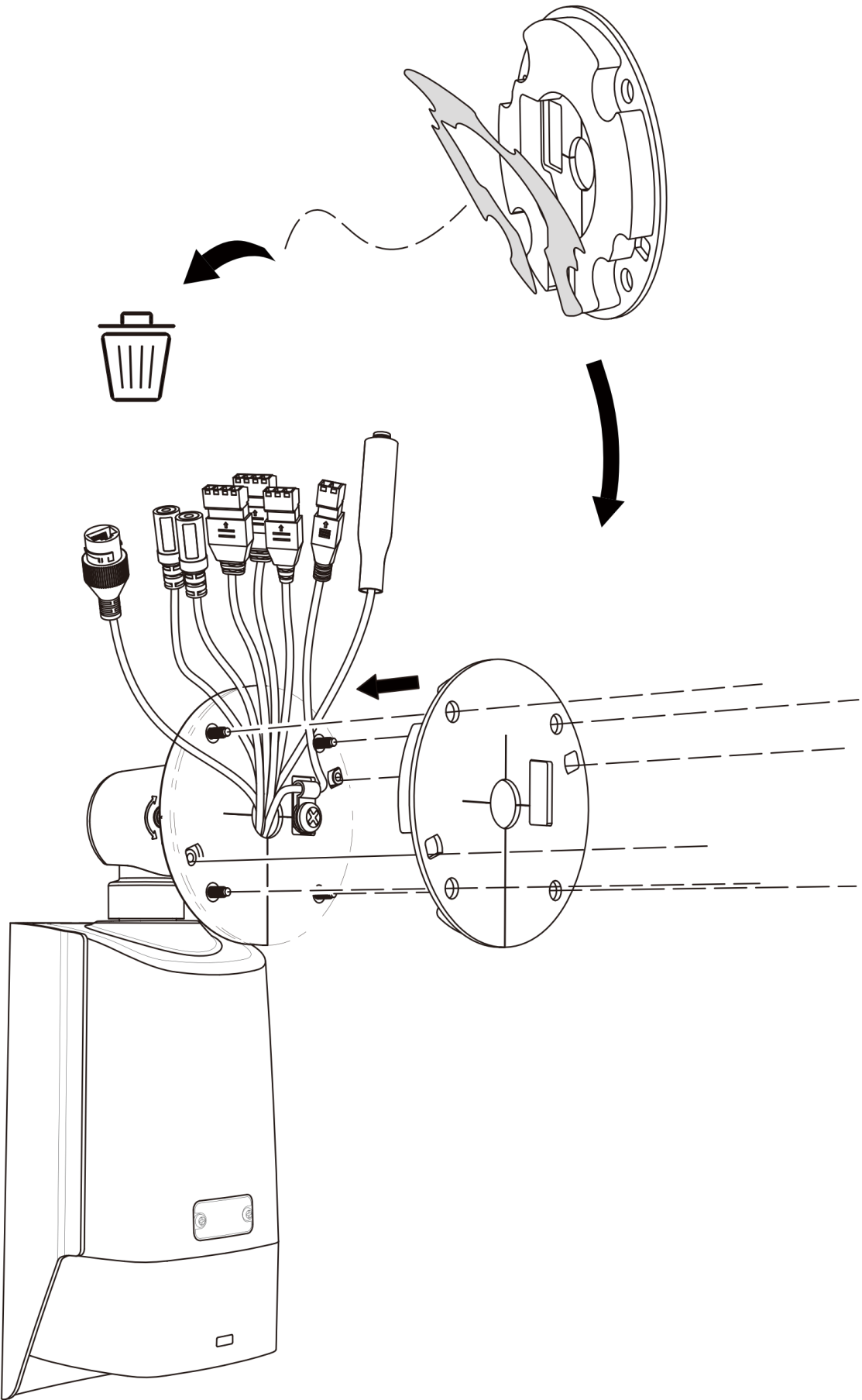
1.2*



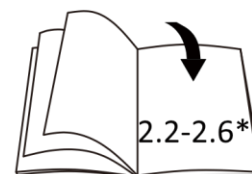
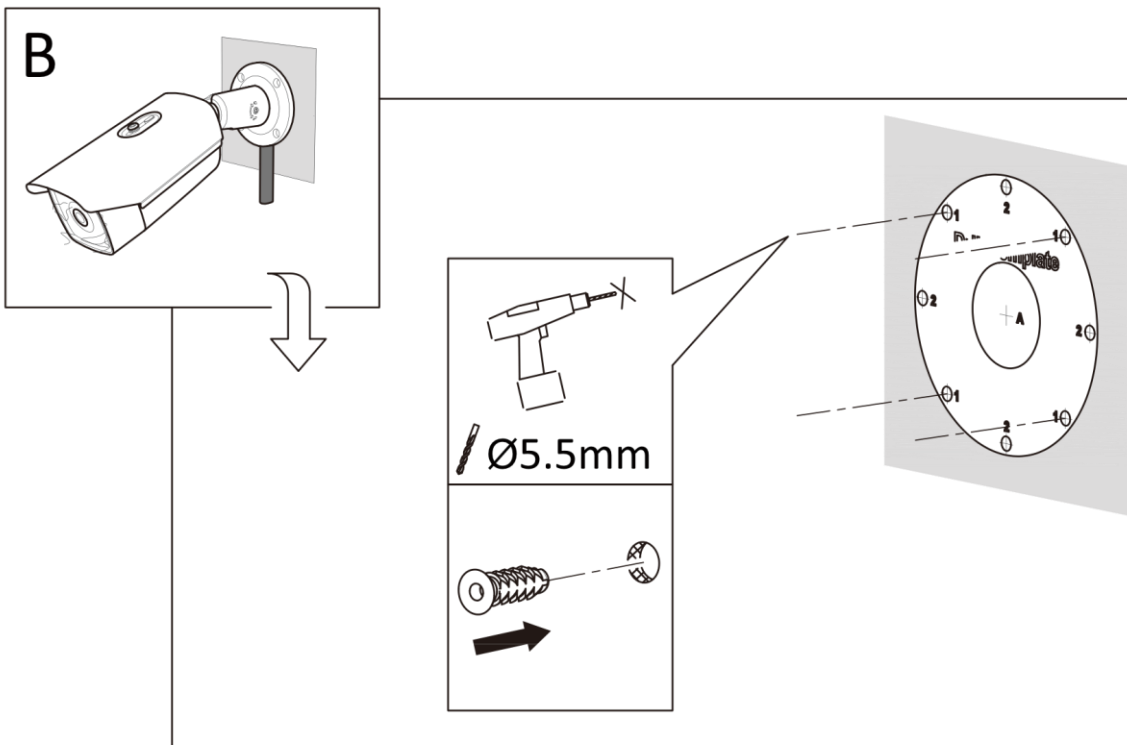
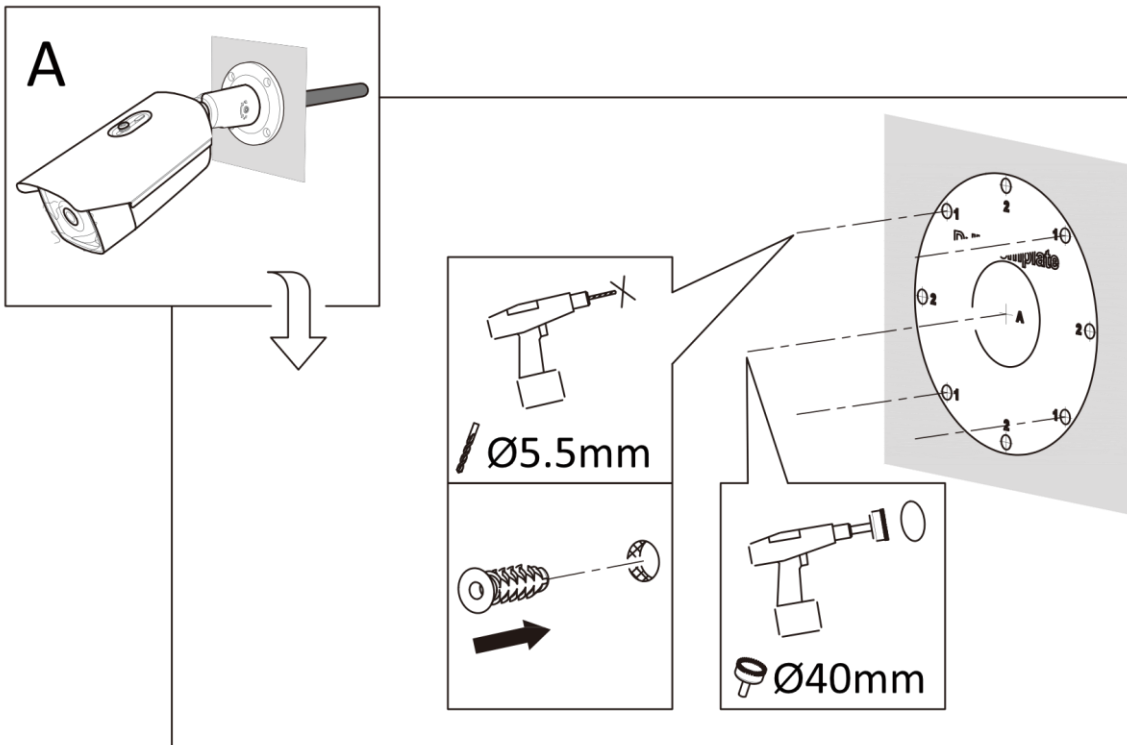
1.2*



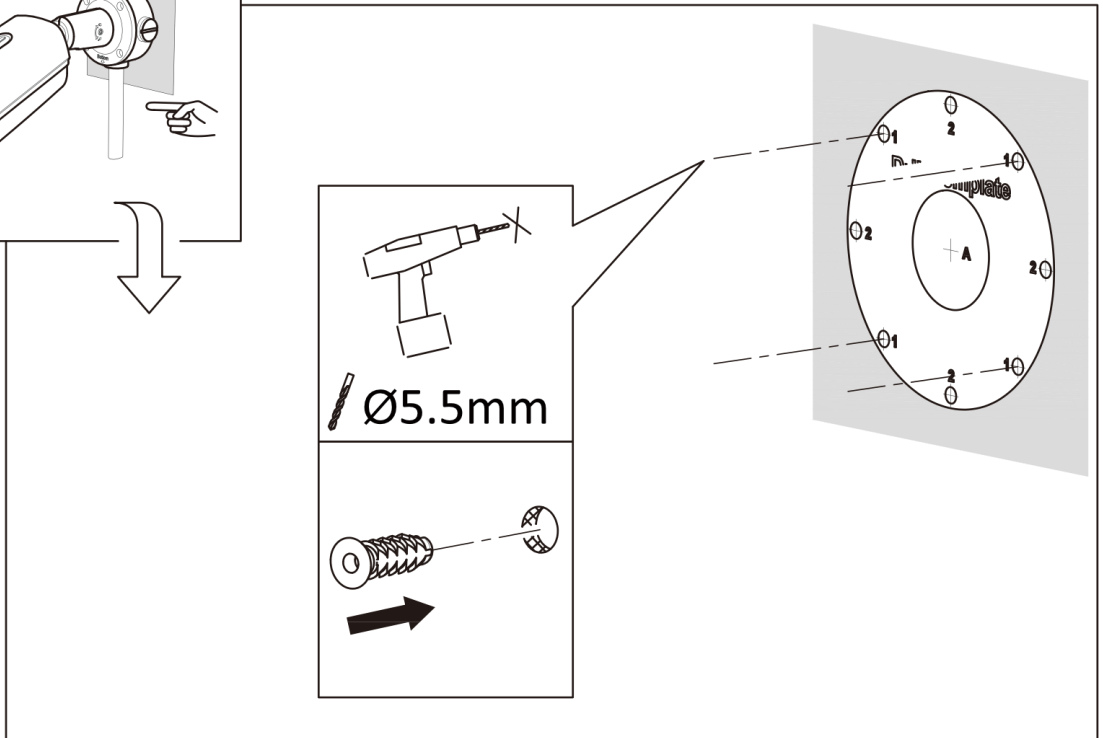
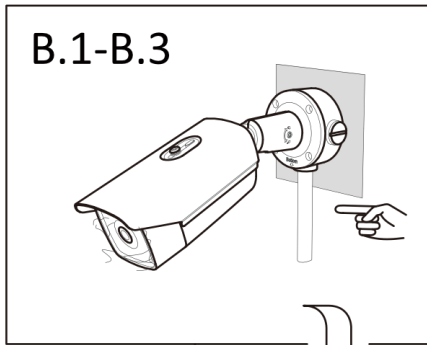
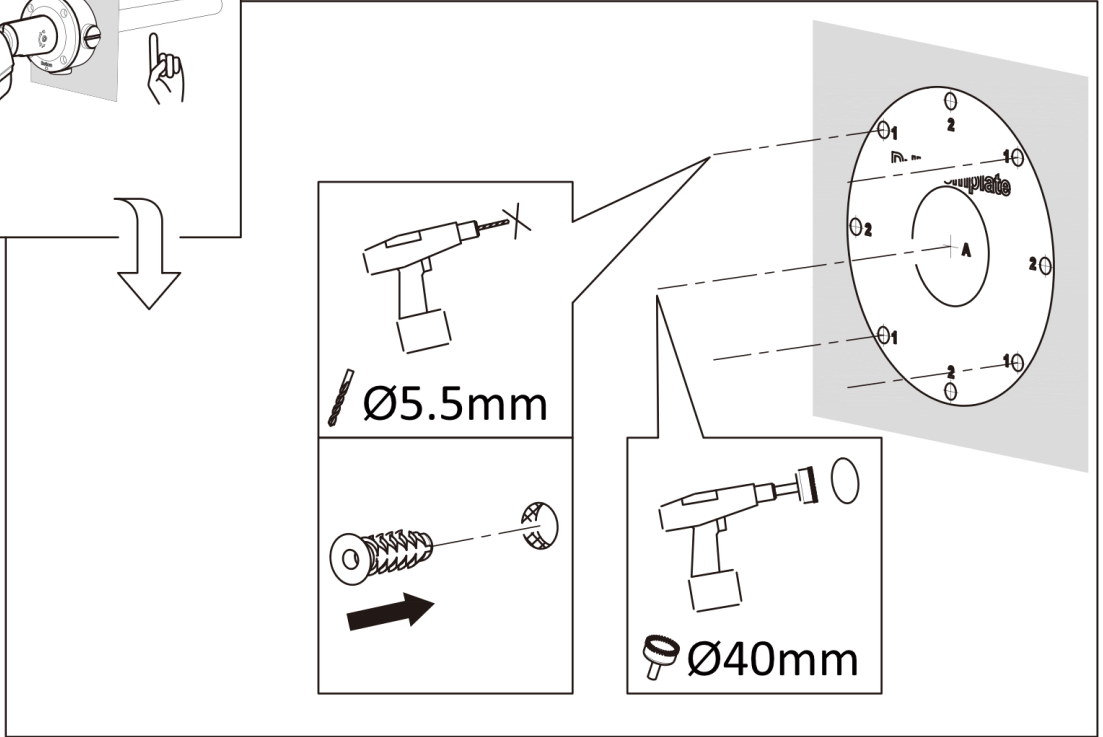
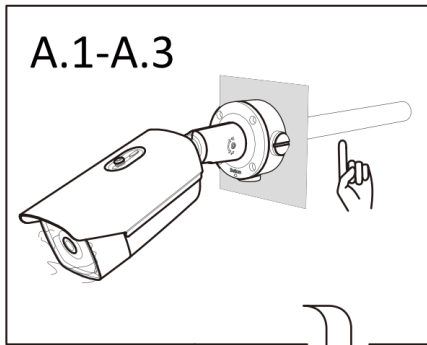
1.3



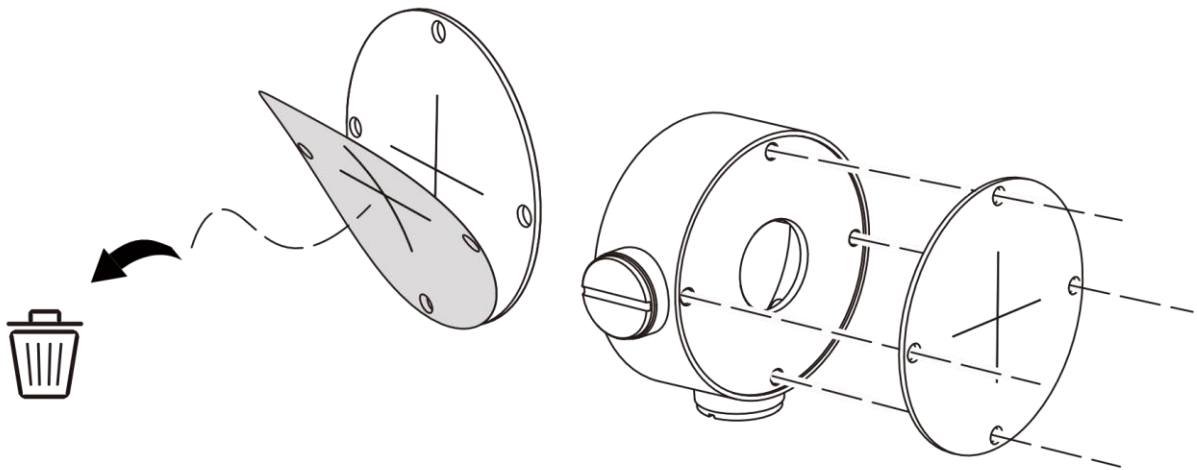
2.1



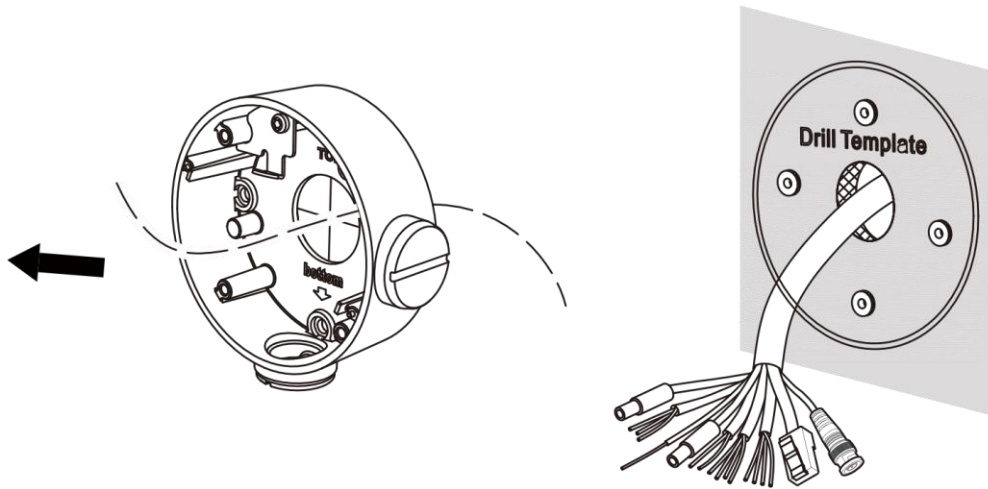
2.1*



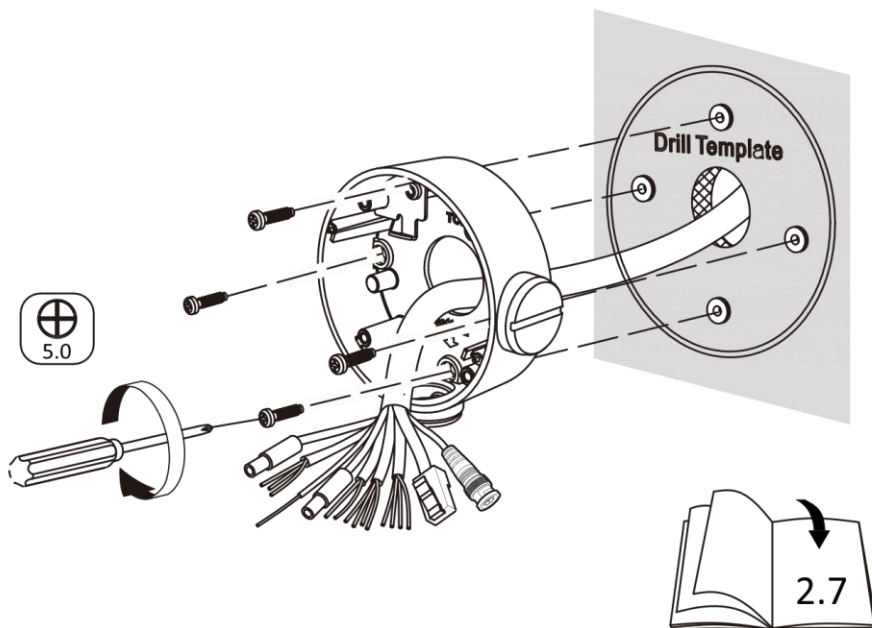
A.1



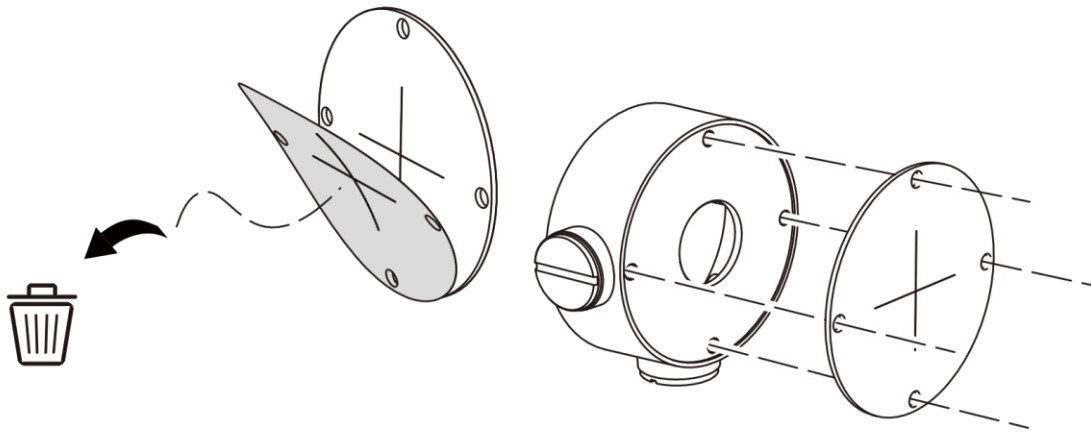
A.2



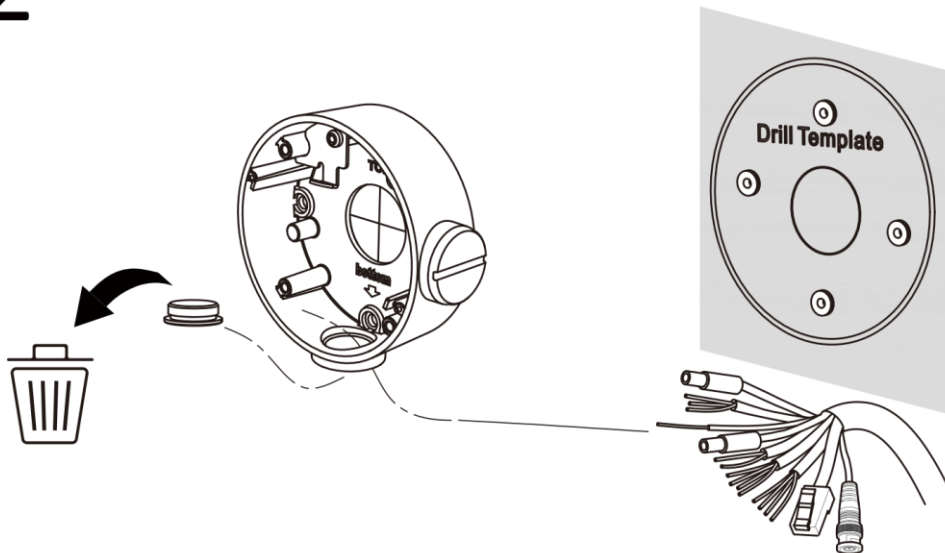
A.3



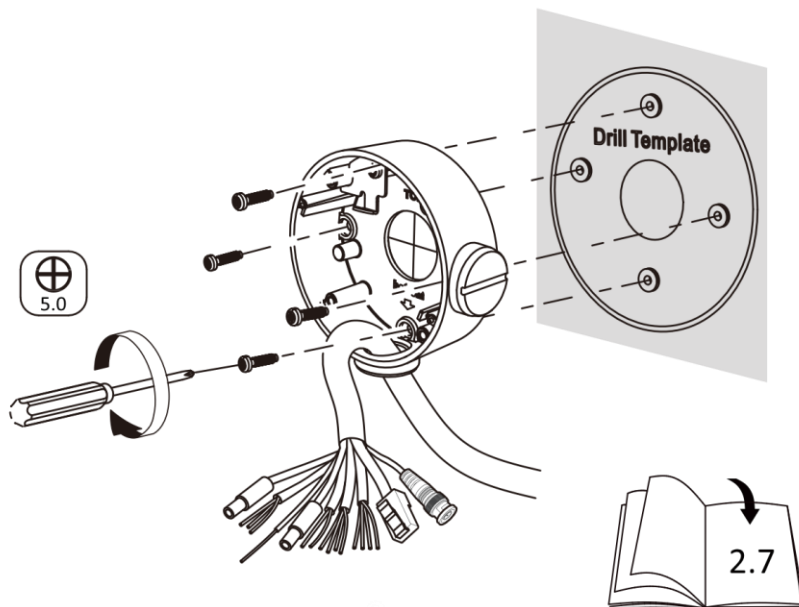
B.1



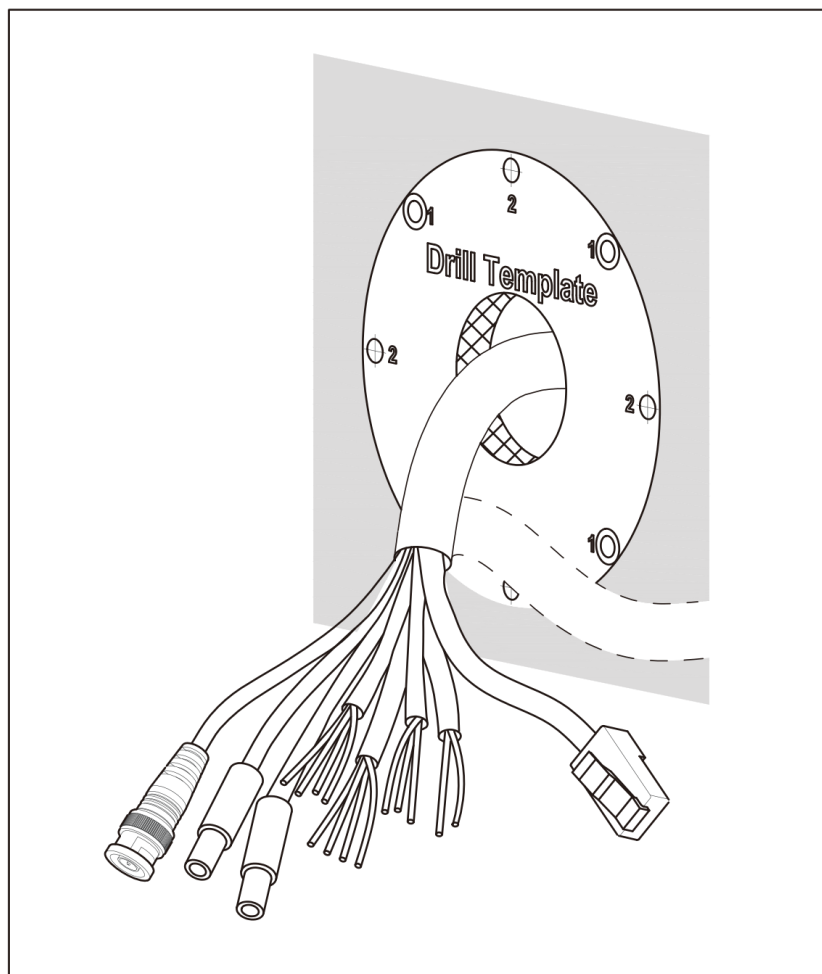
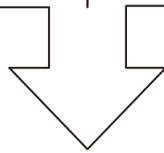
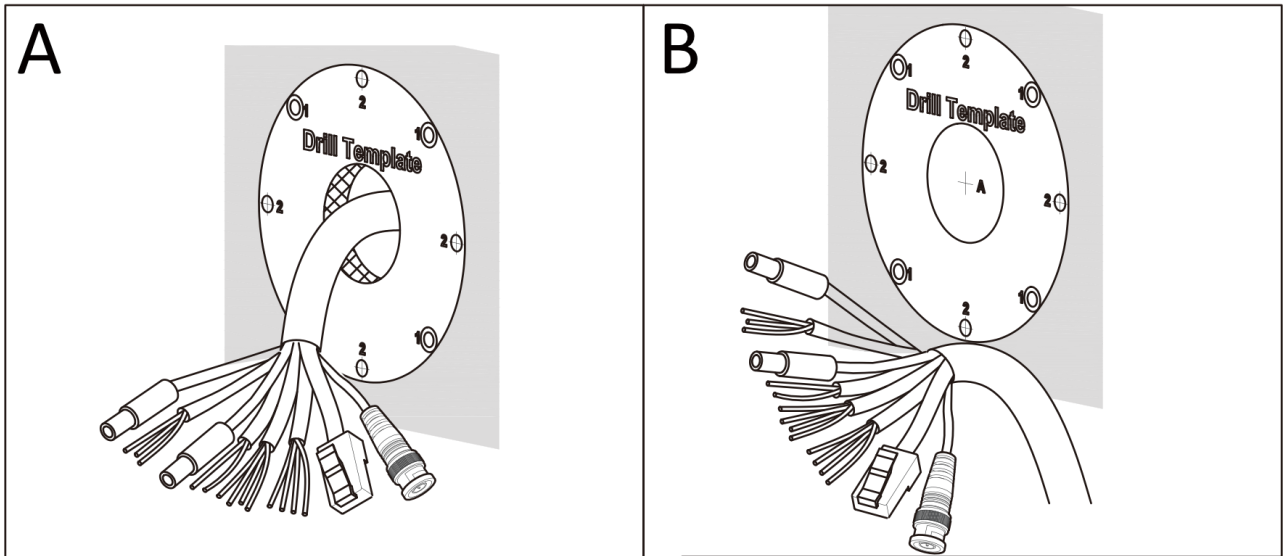
B.2



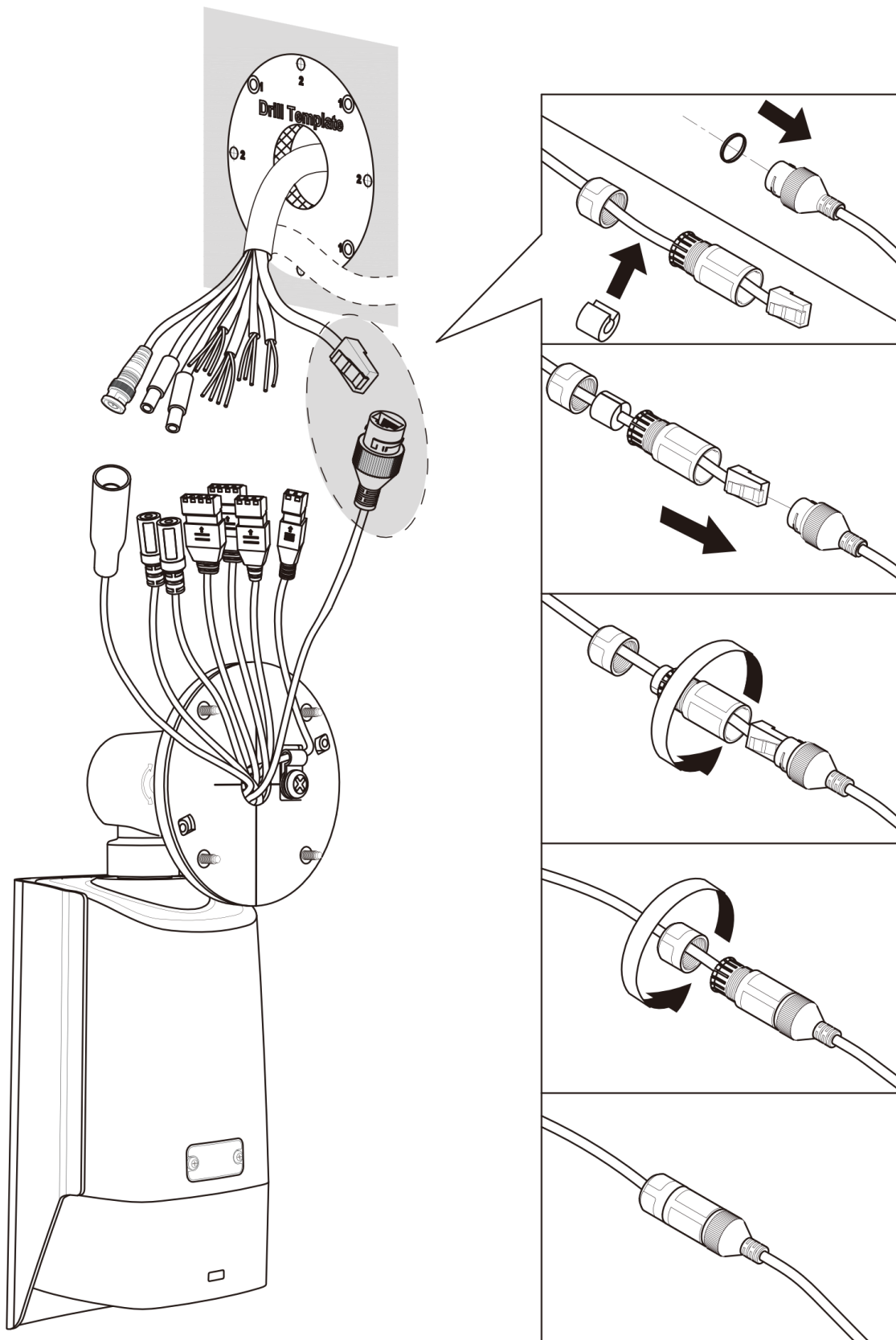
B.3



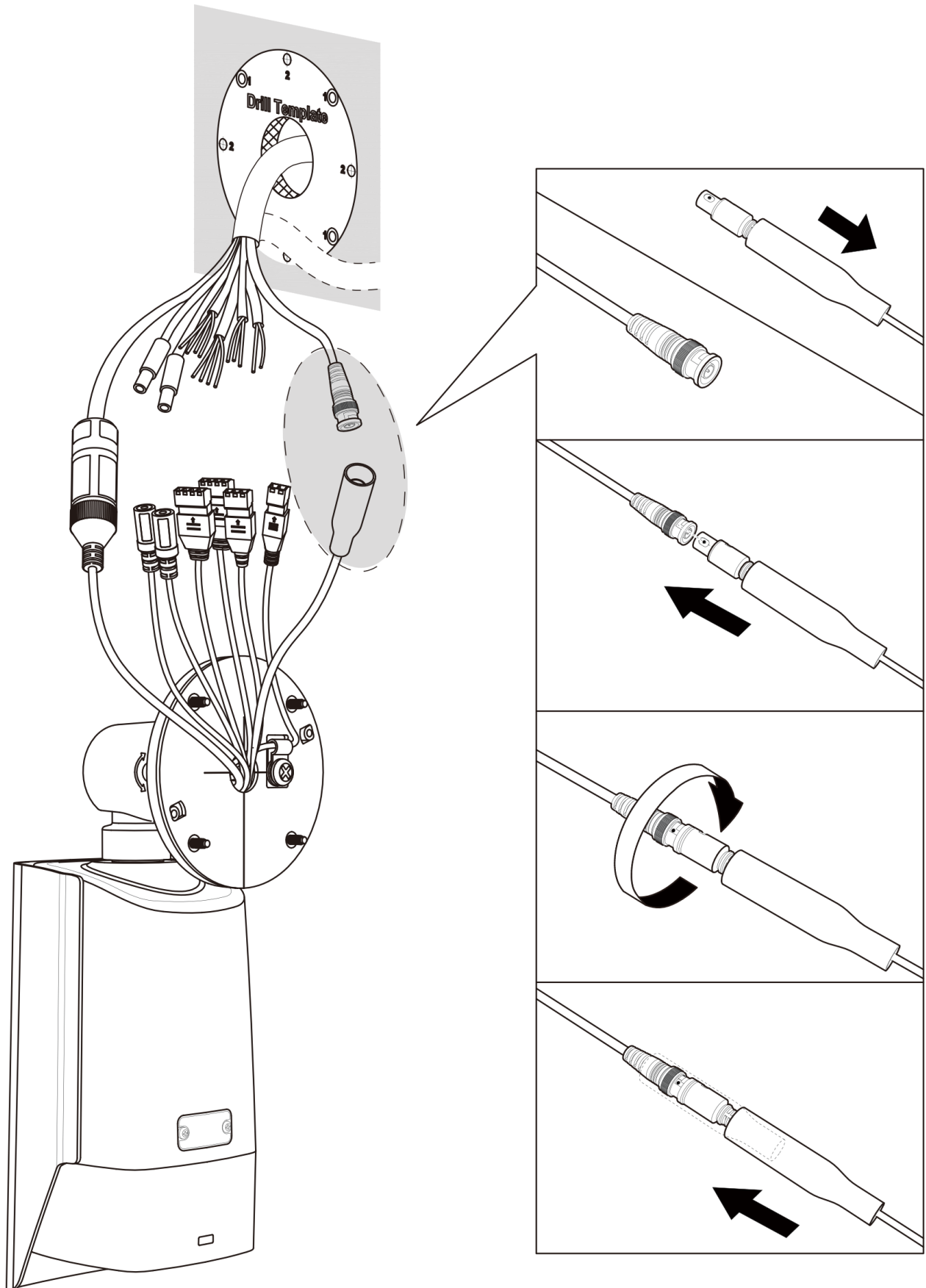
2.2



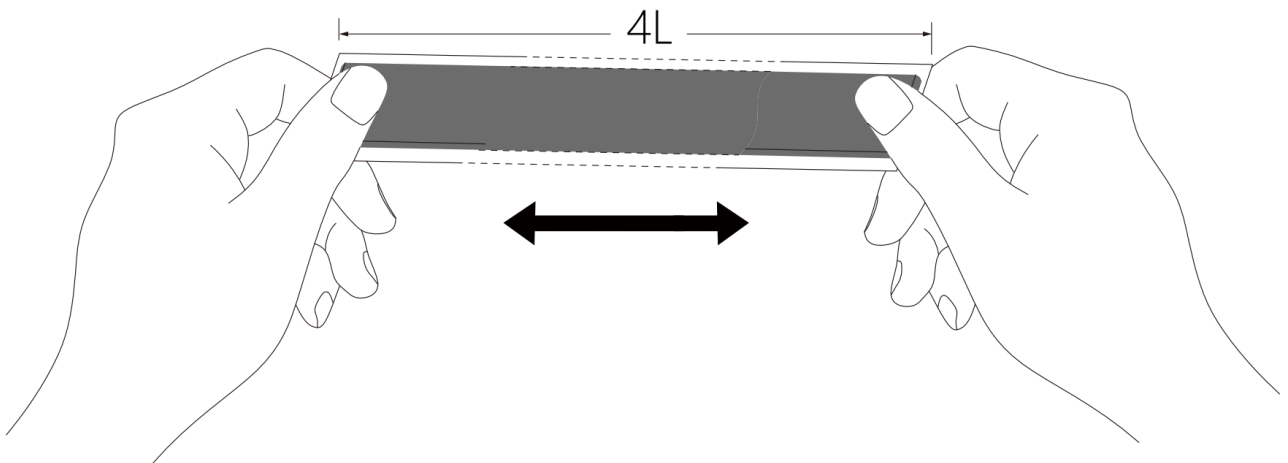
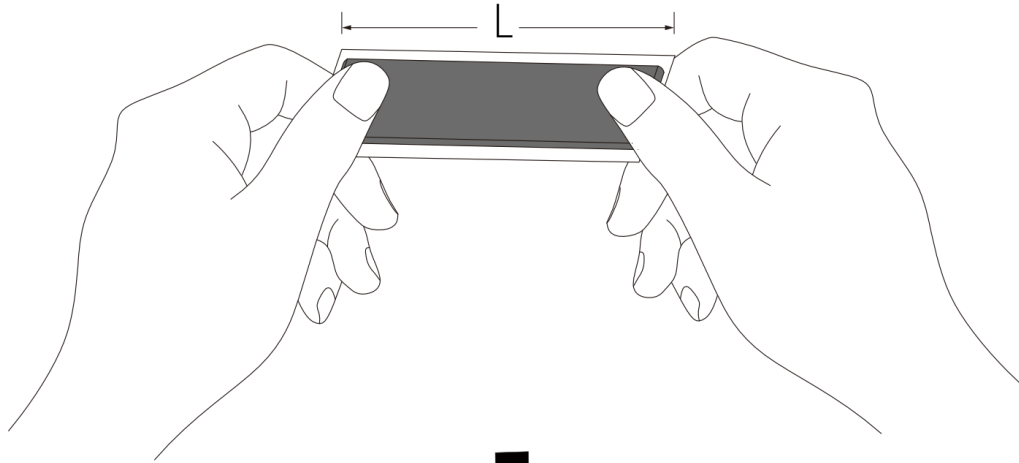
2.3



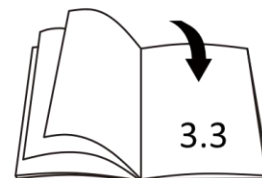
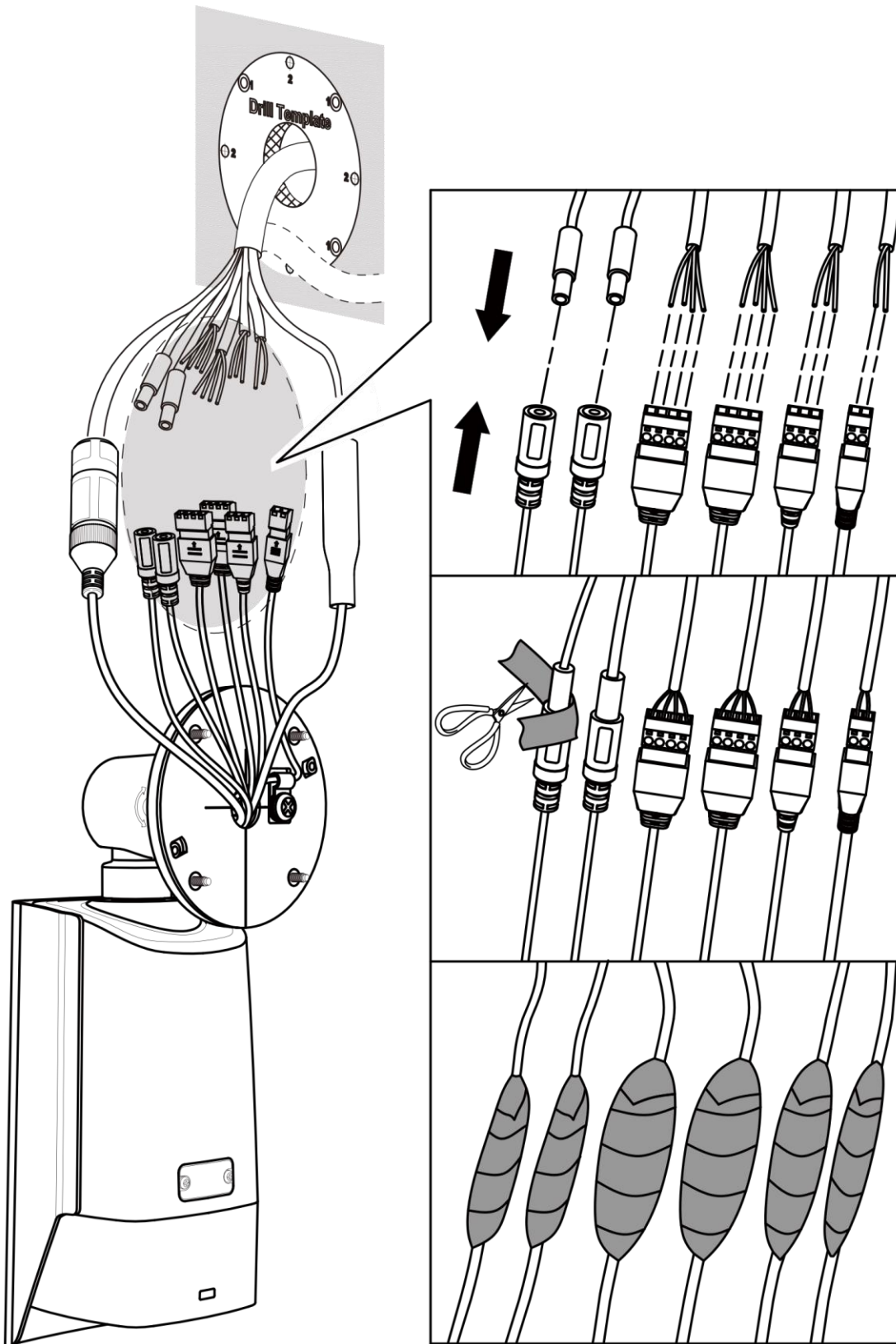
2.4*



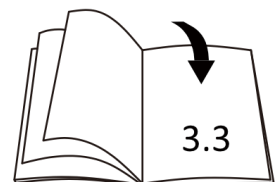
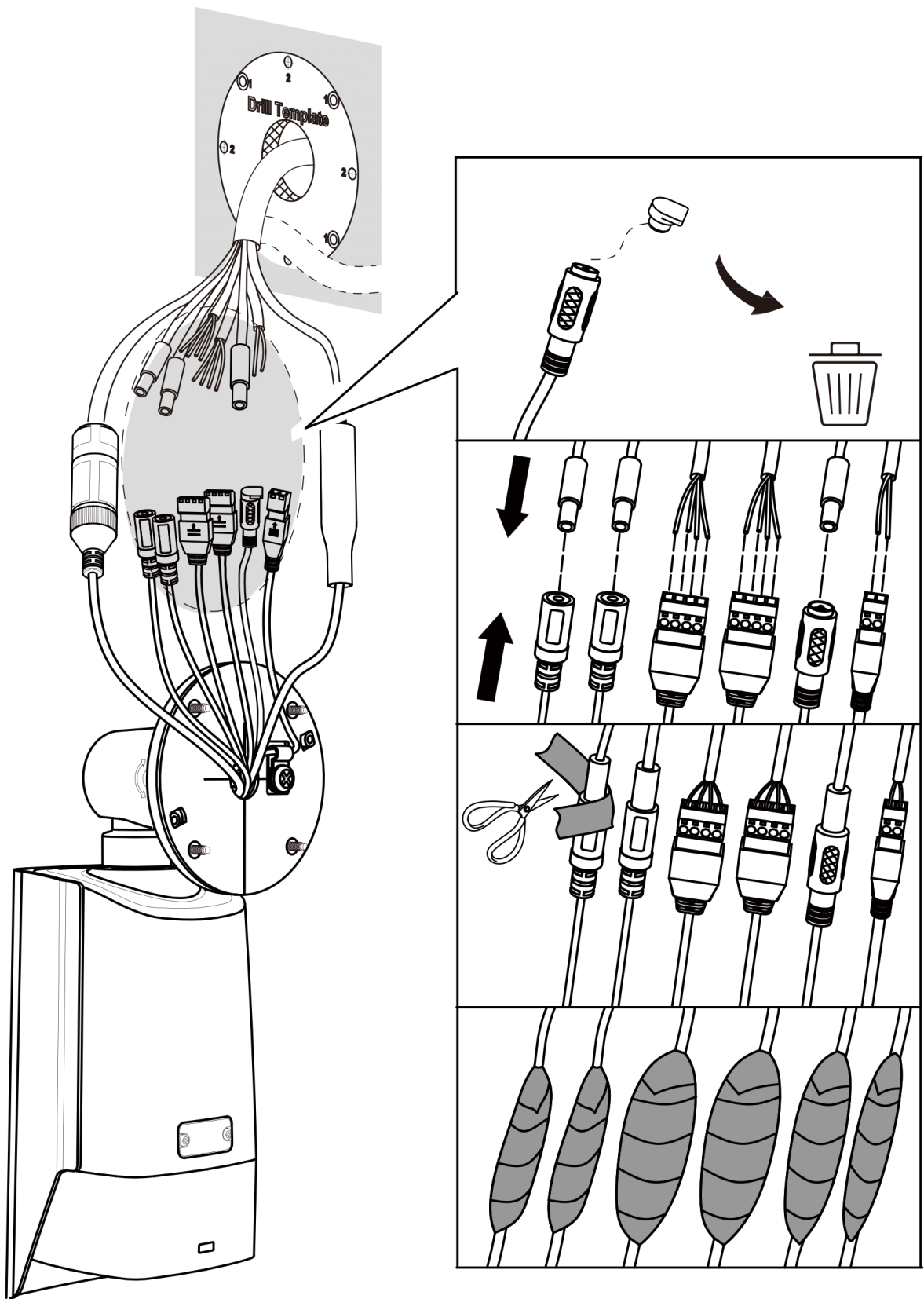
2.5



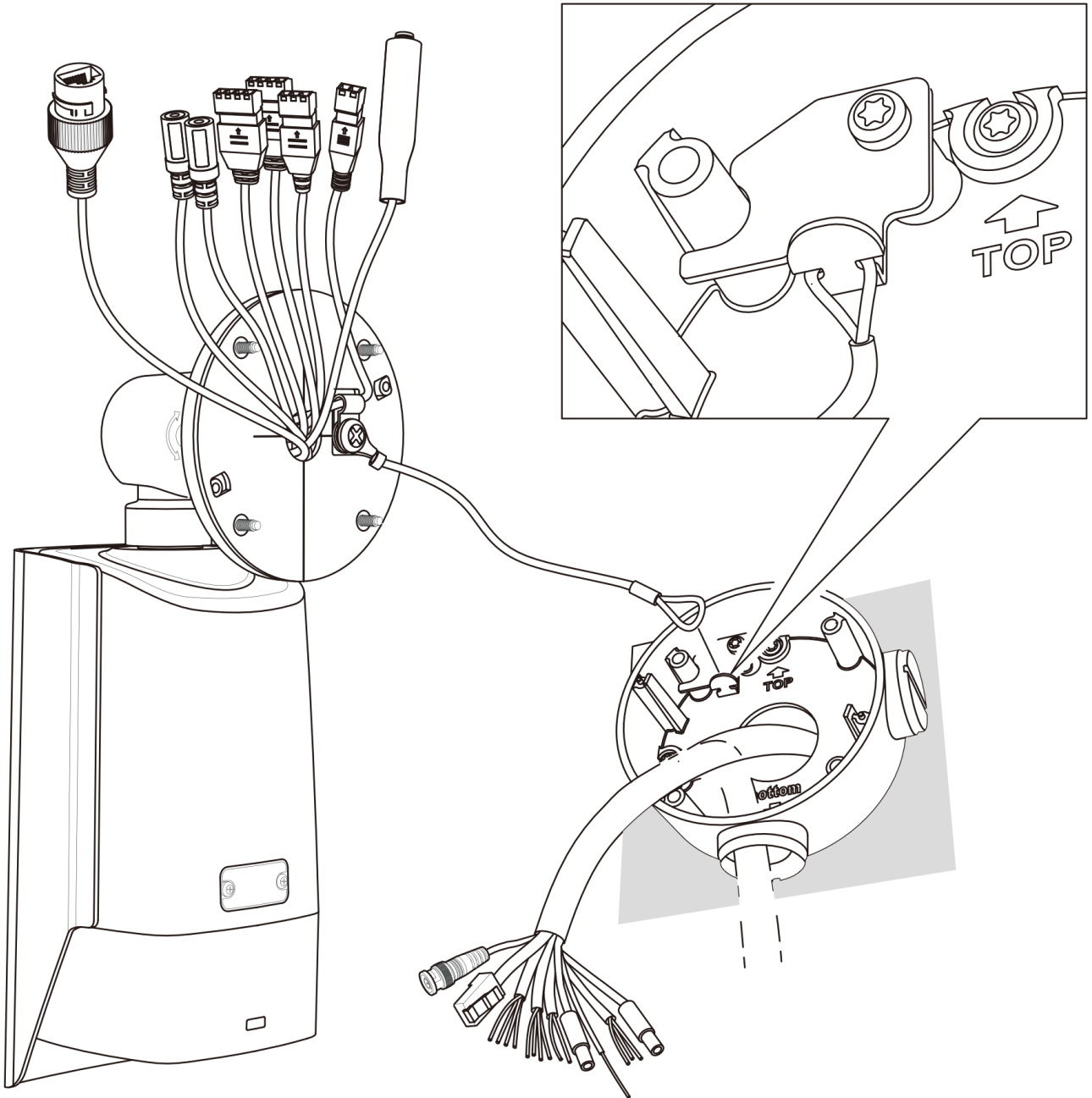
2.6



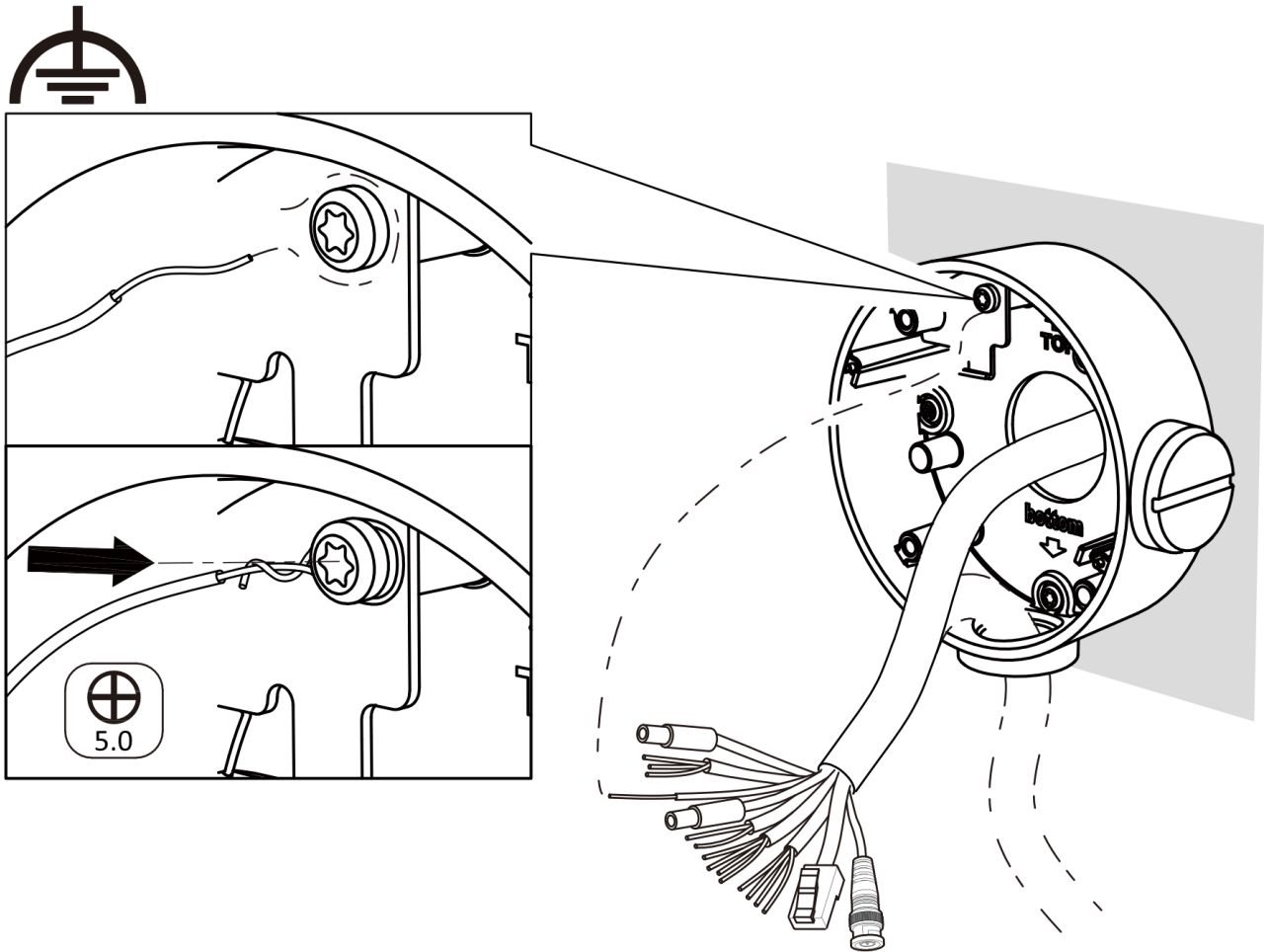
2.6*



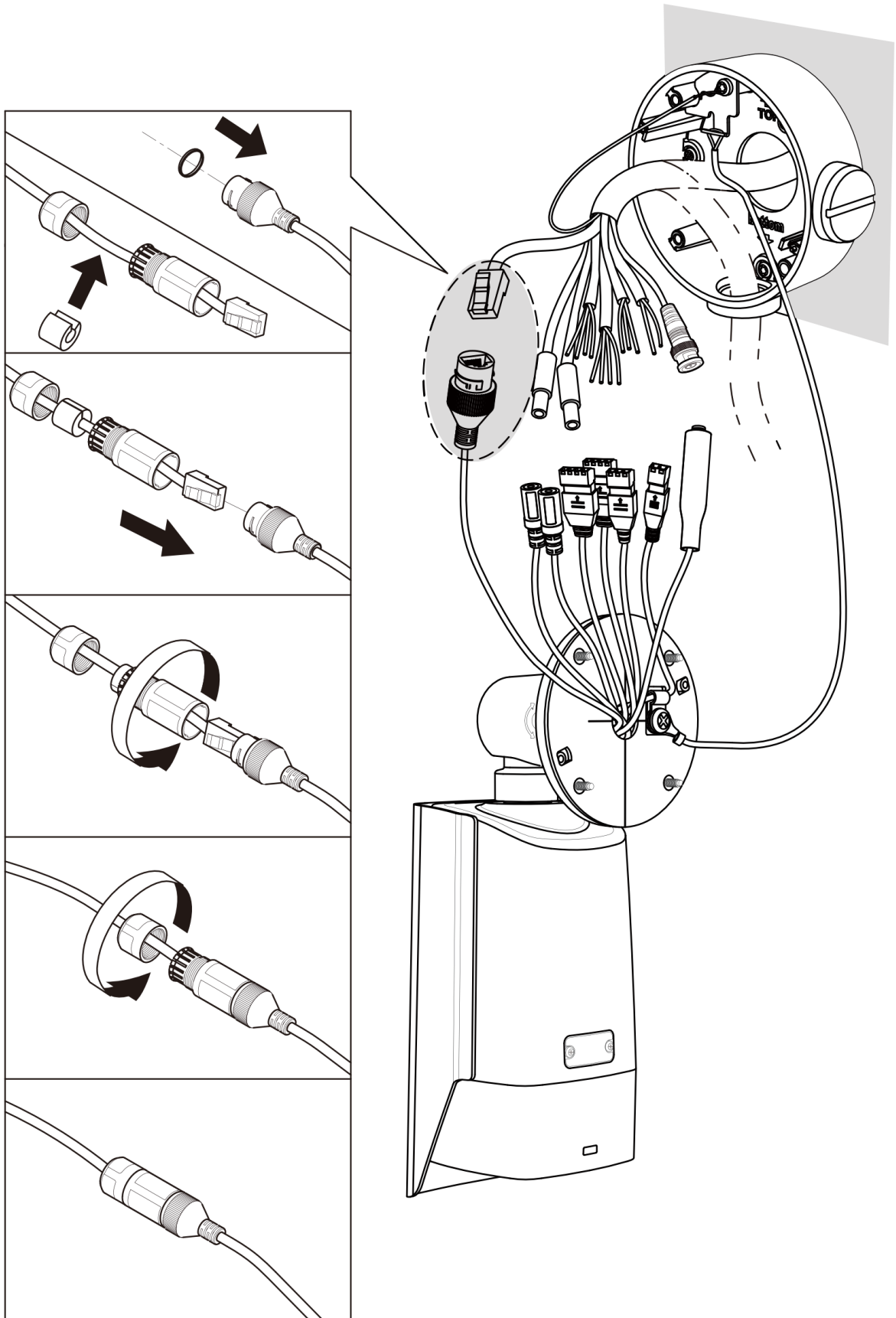
2.7



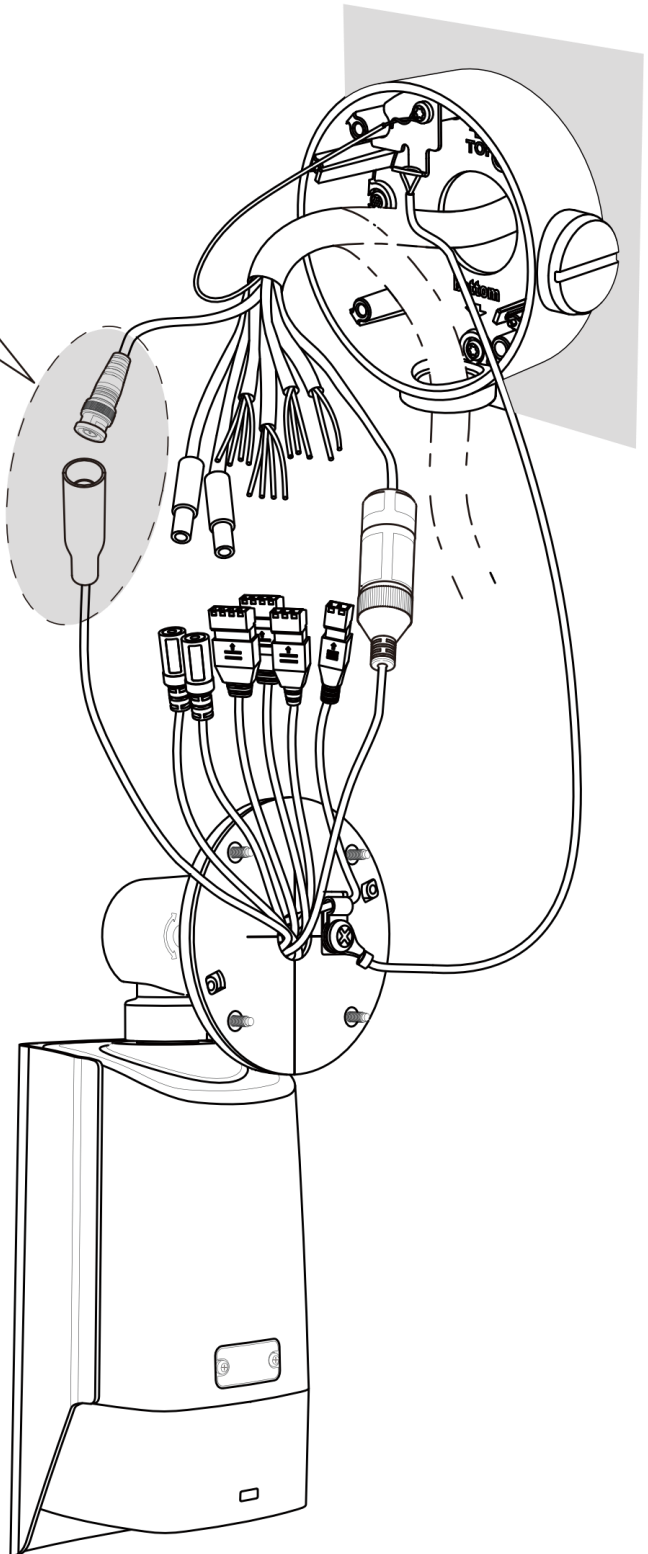
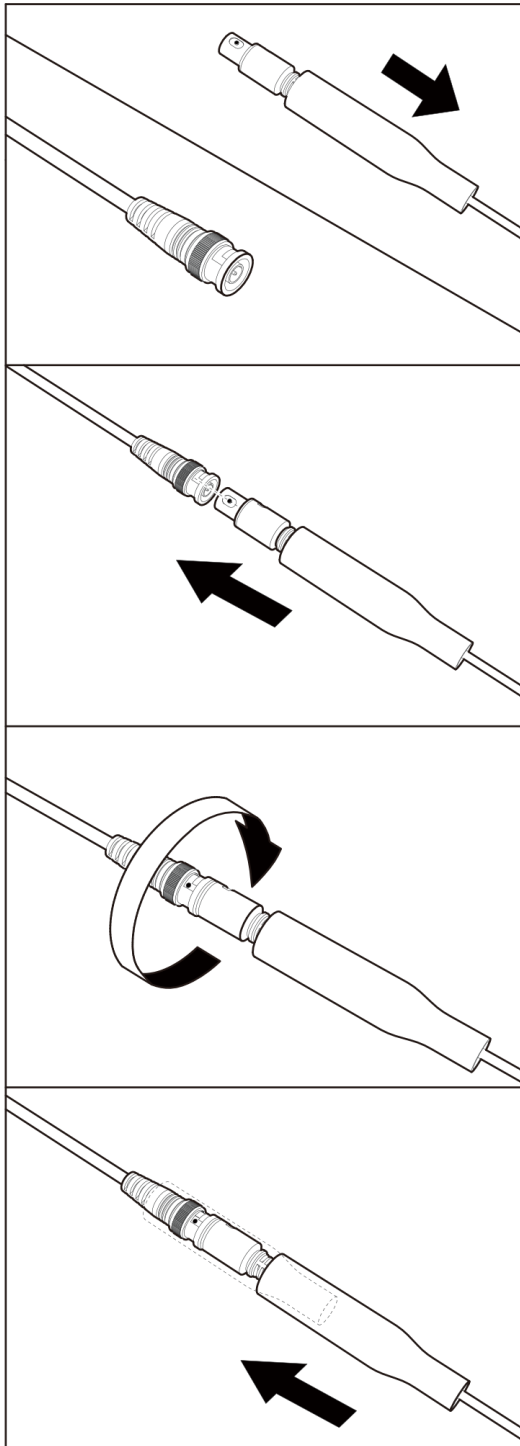
2.8



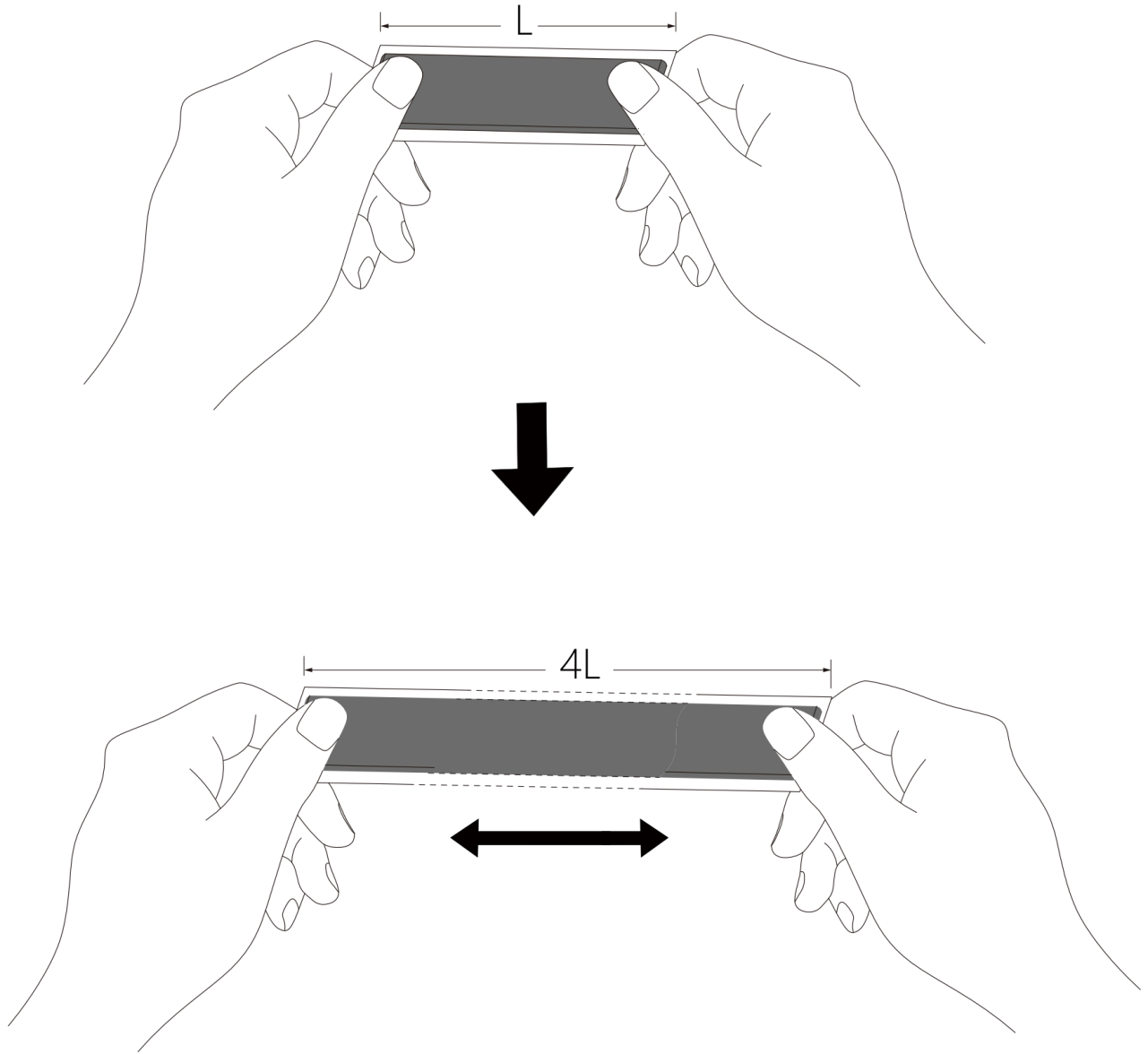
2.9



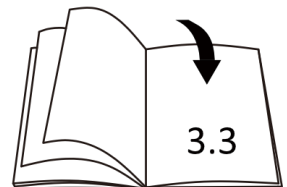
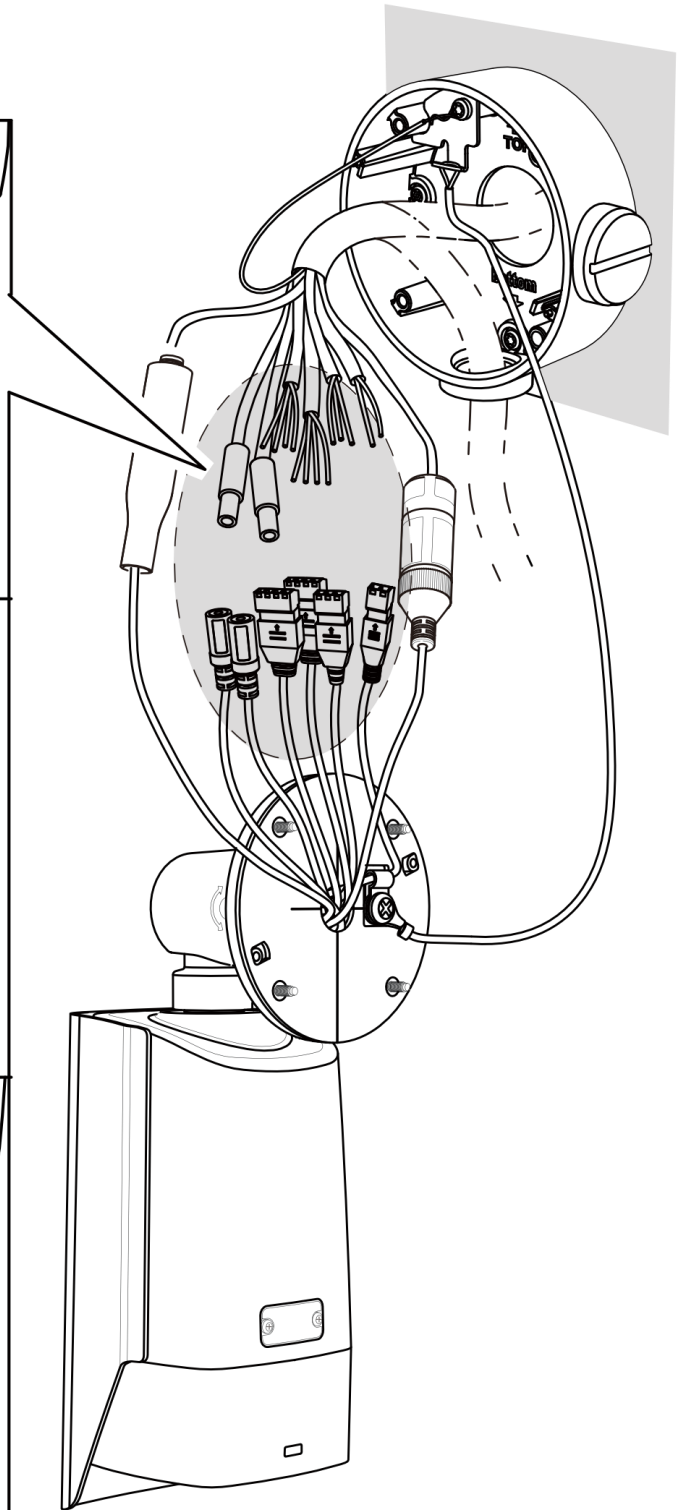
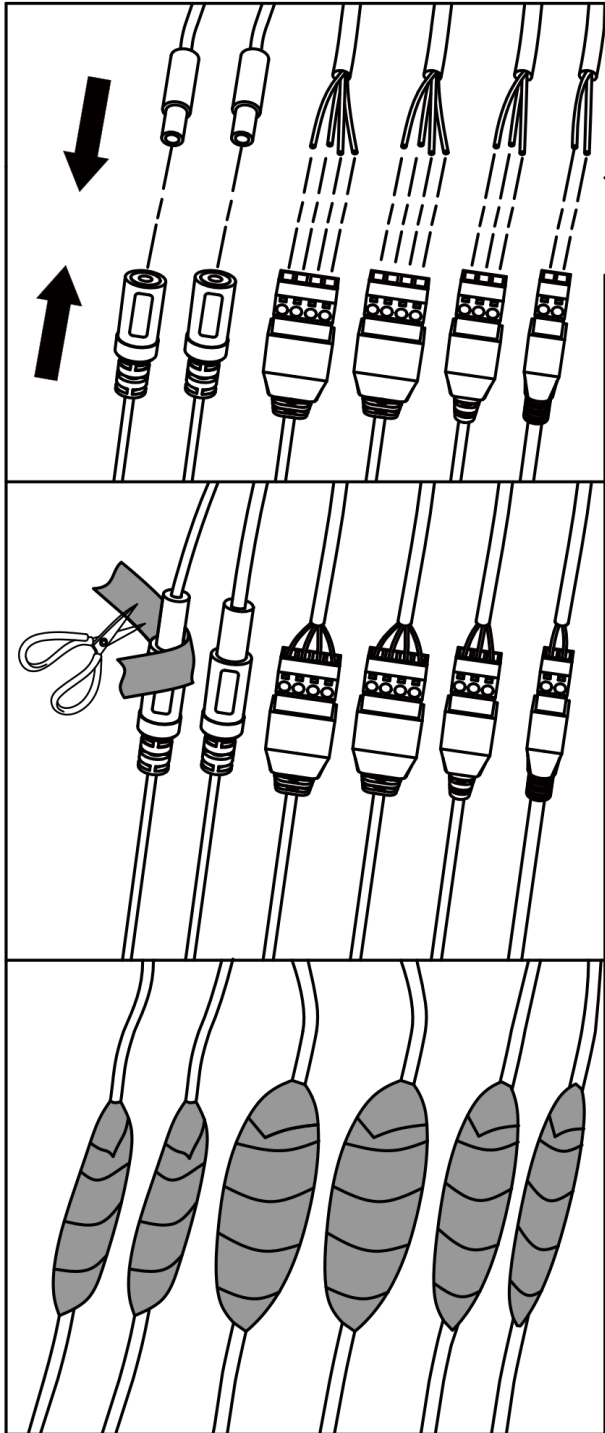
3.0*



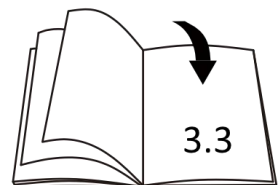
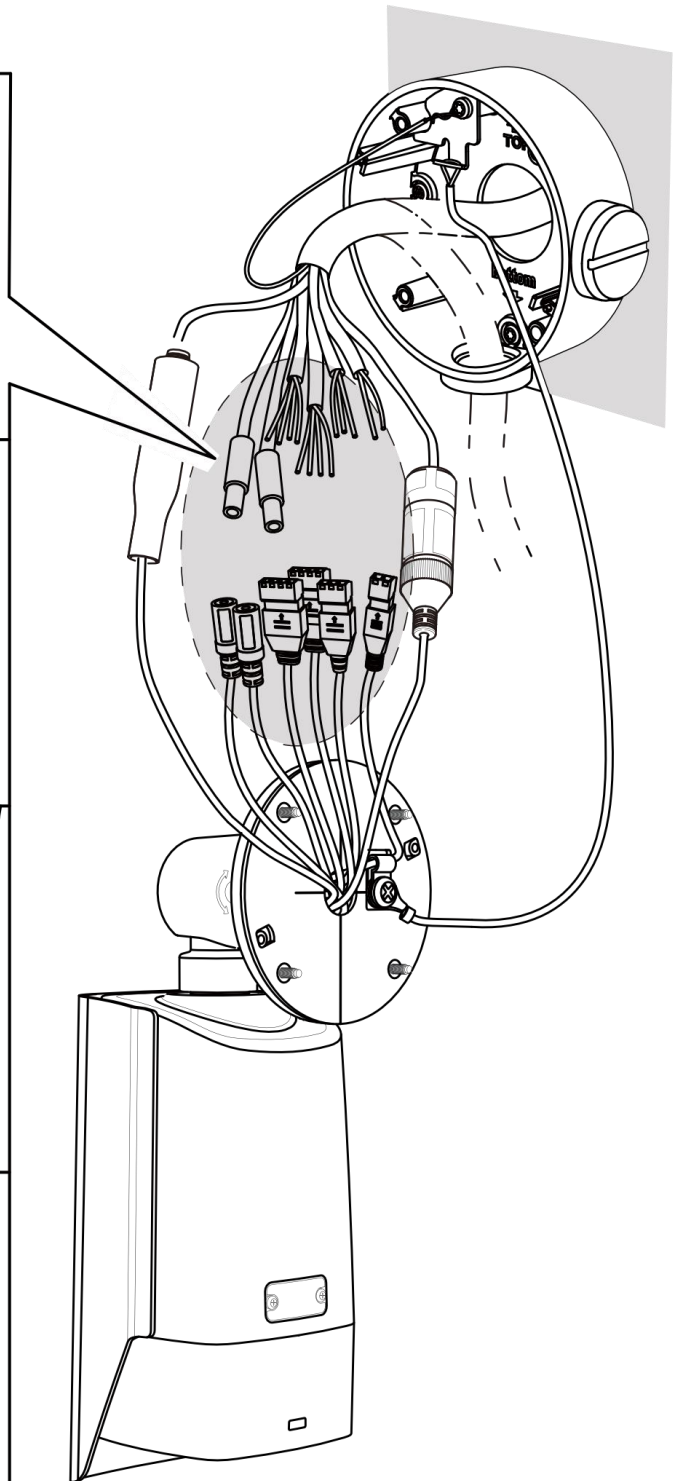
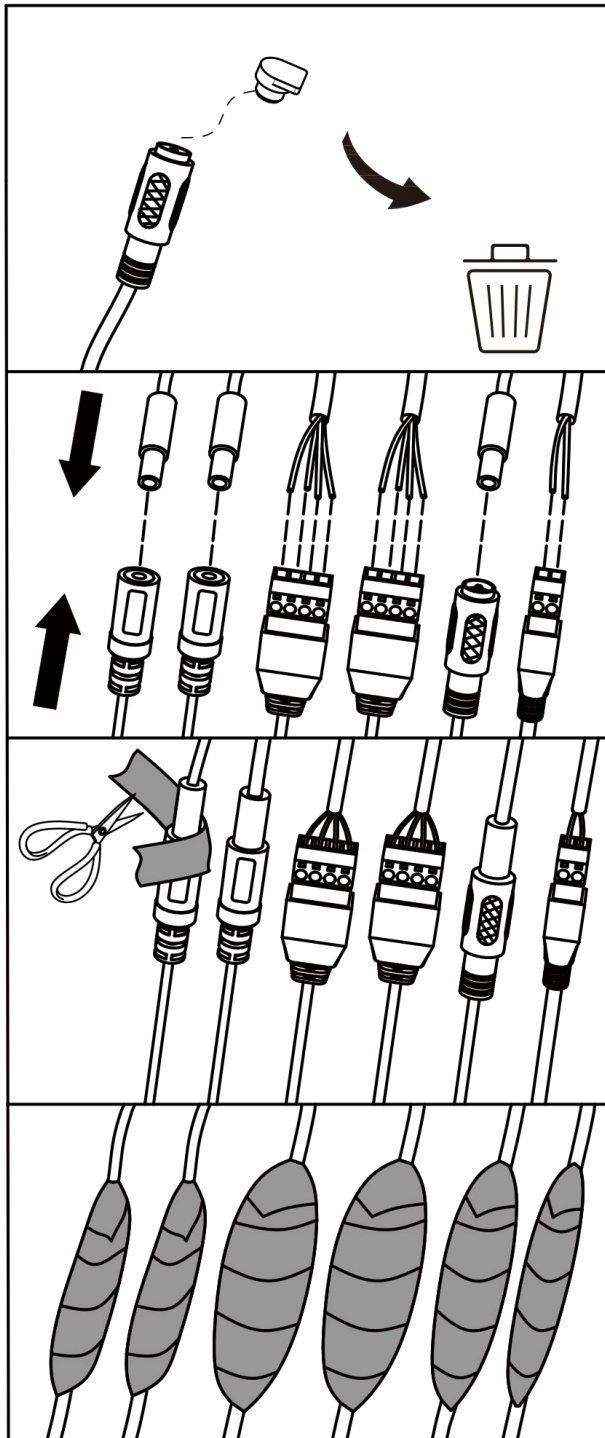
3.1



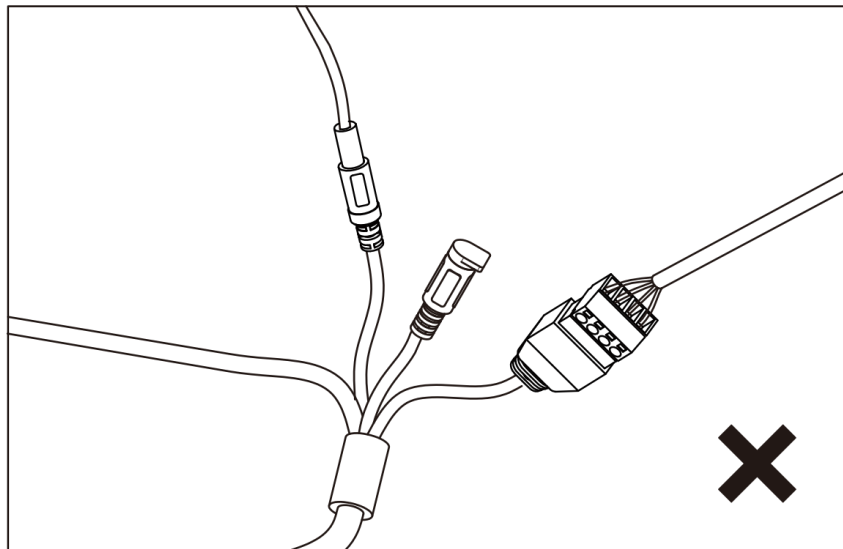
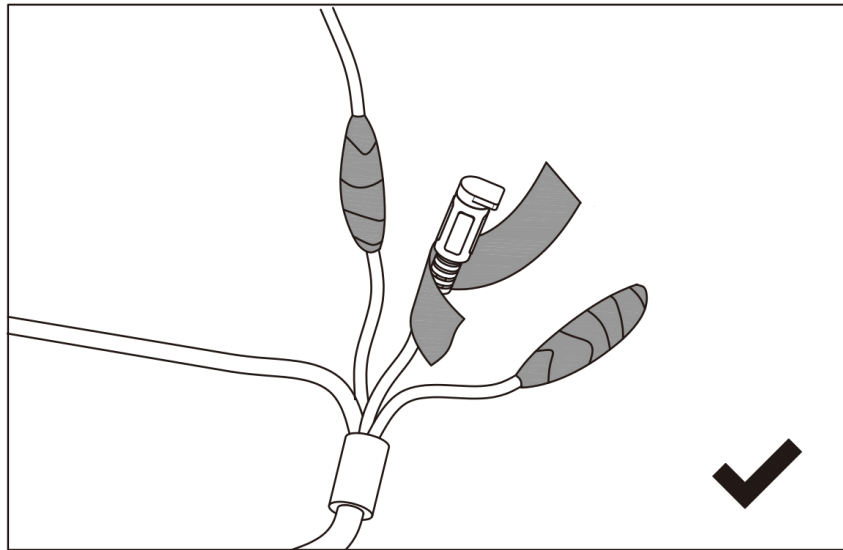
3.2



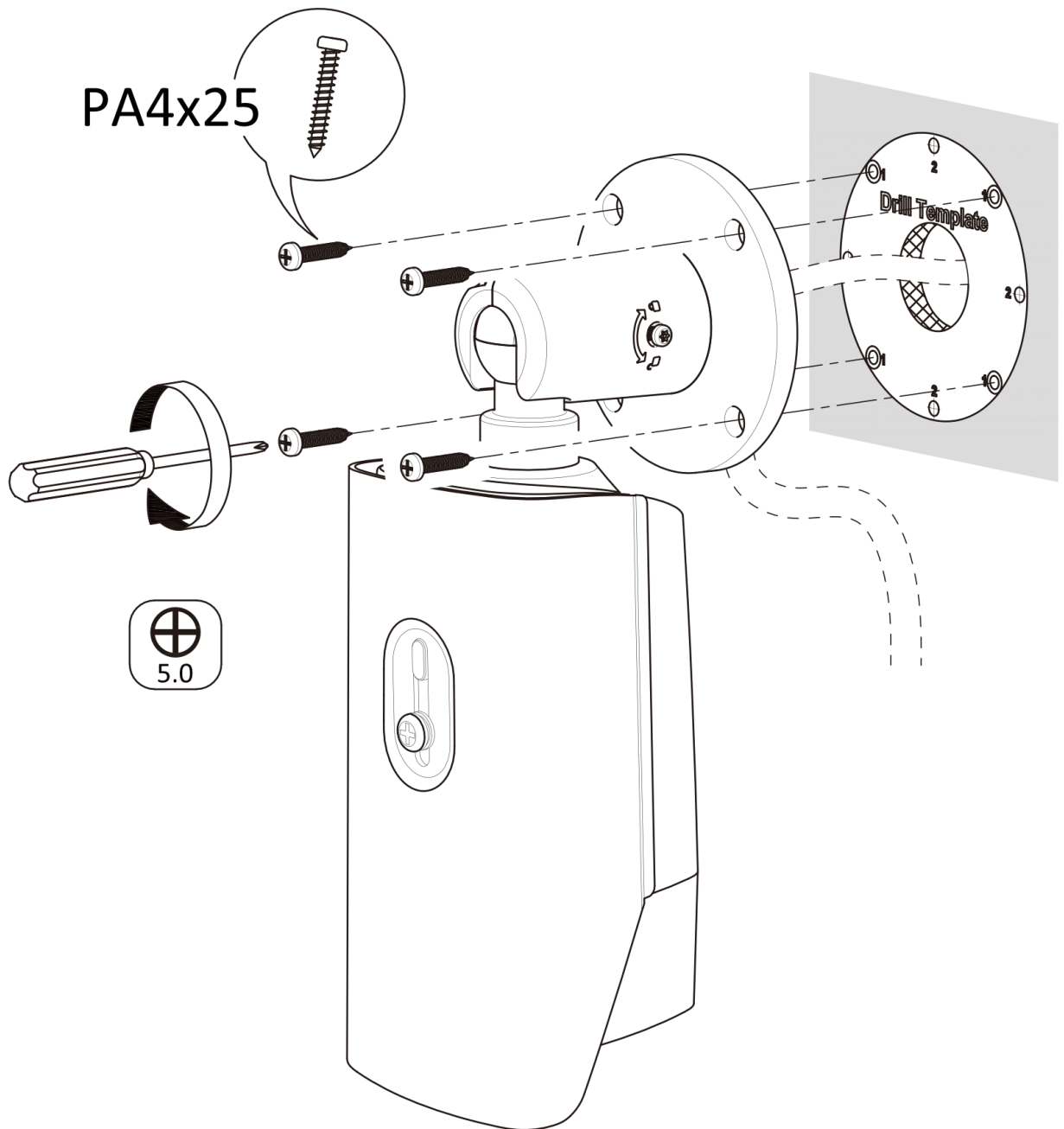
3.2*



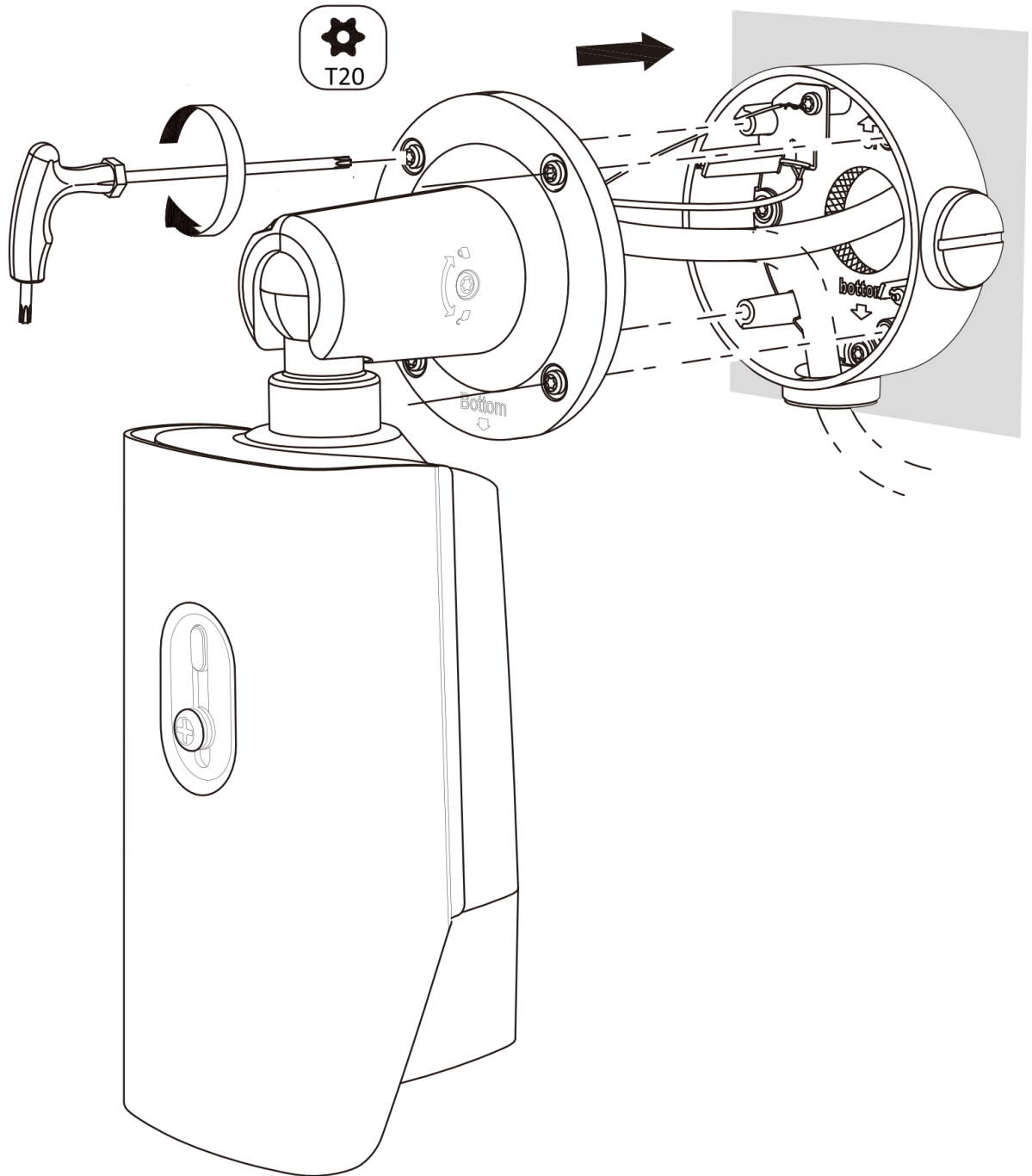
3.3

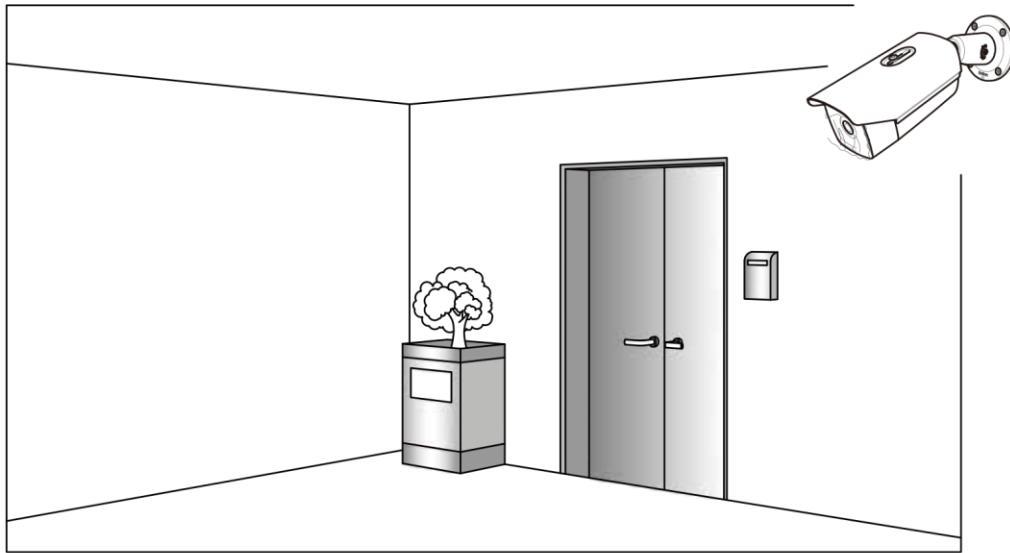


3.4

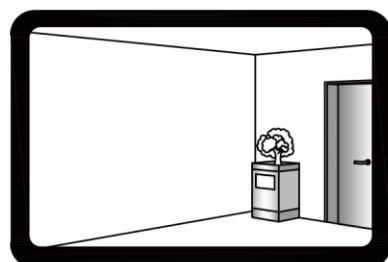
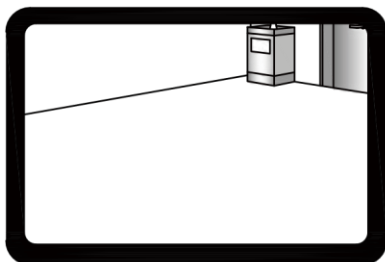
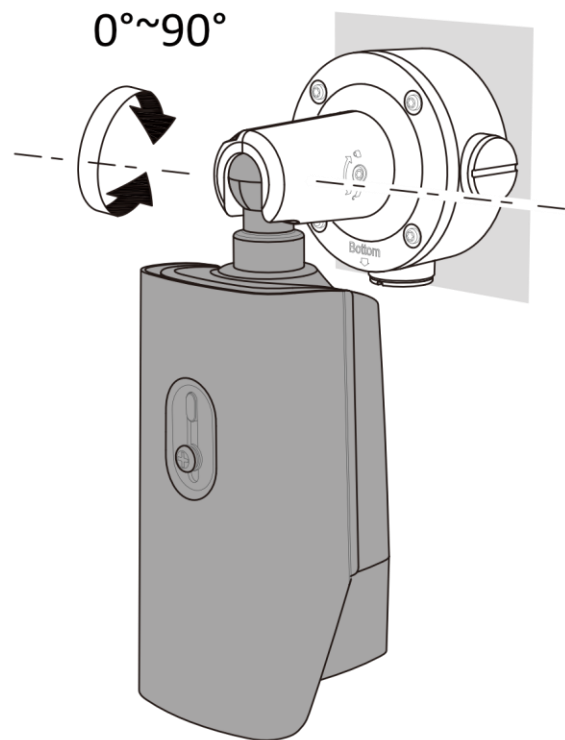
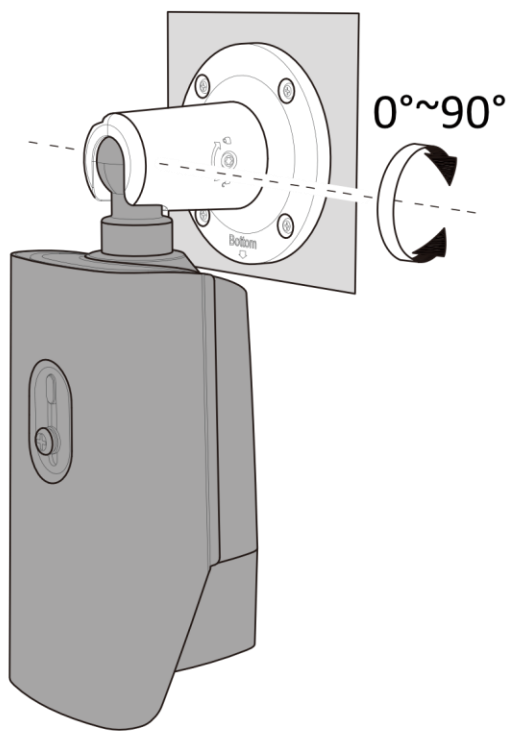


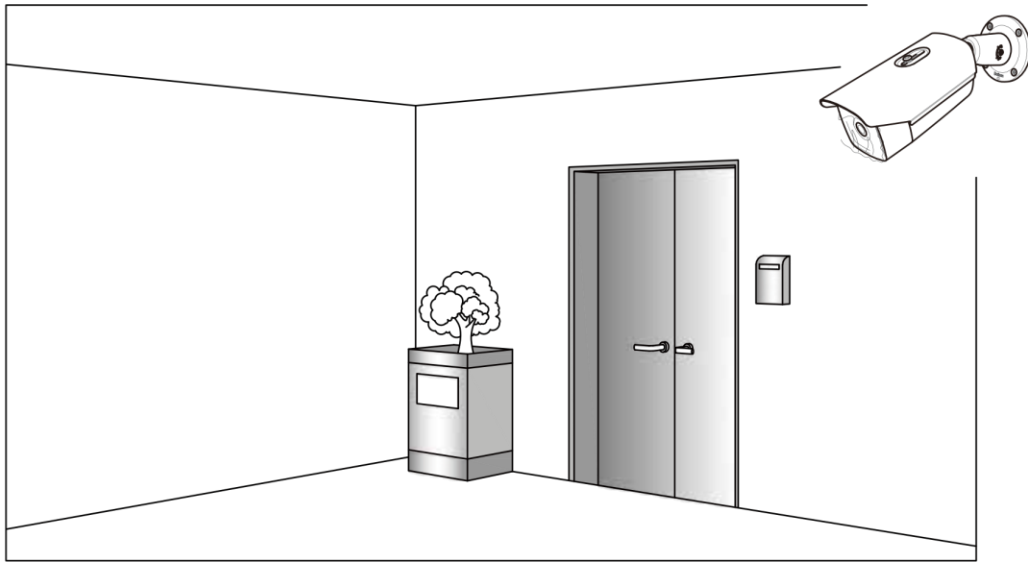
3.4*



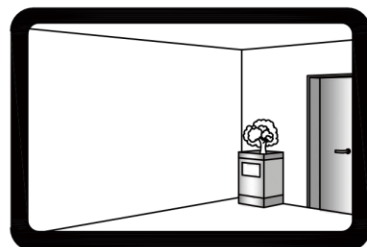
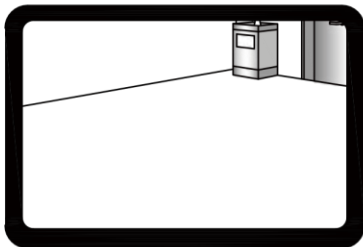
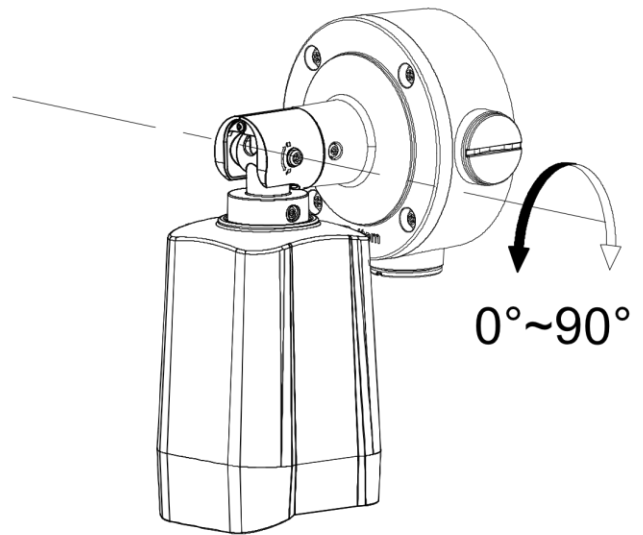
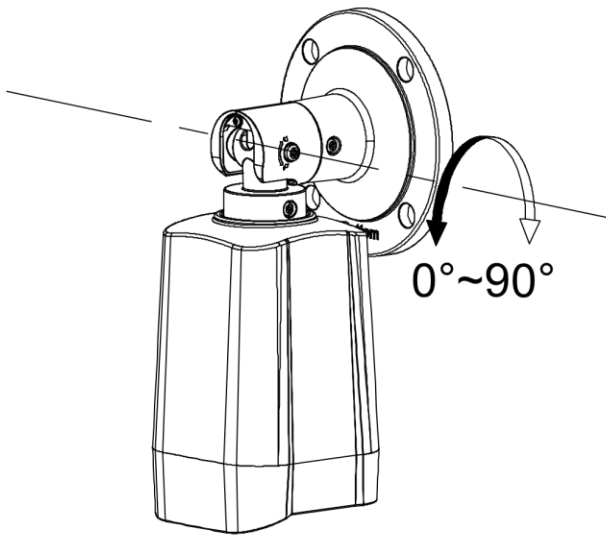


3.5

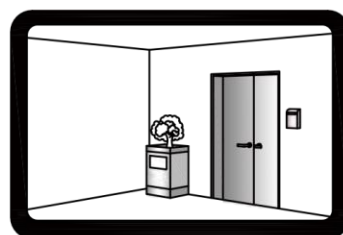
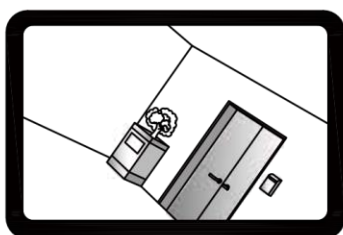
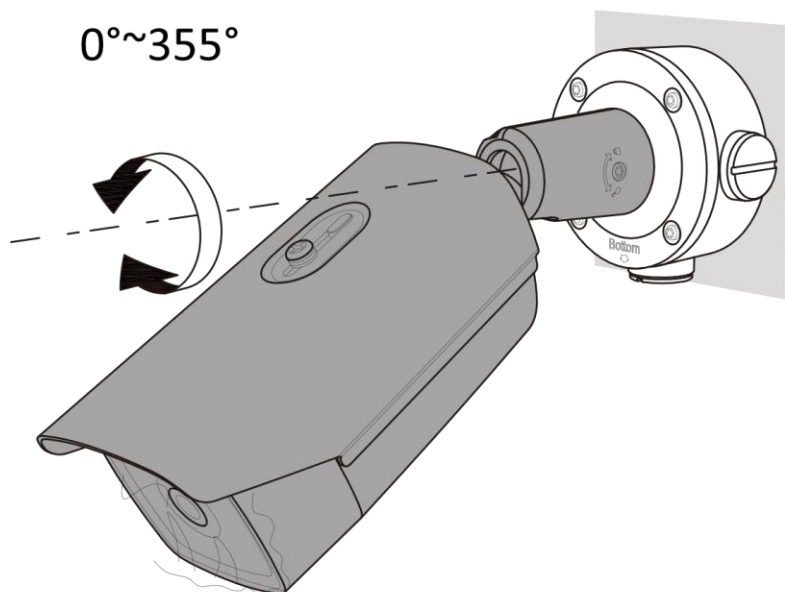
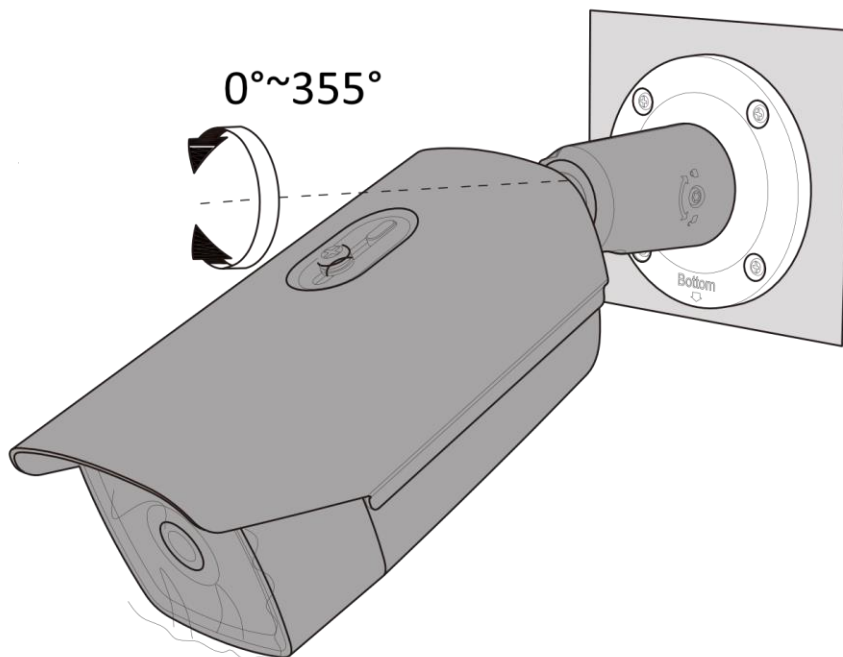




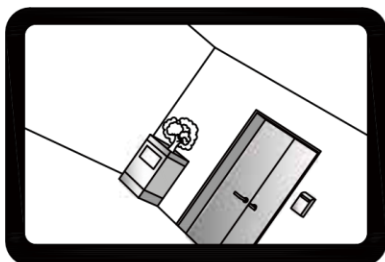
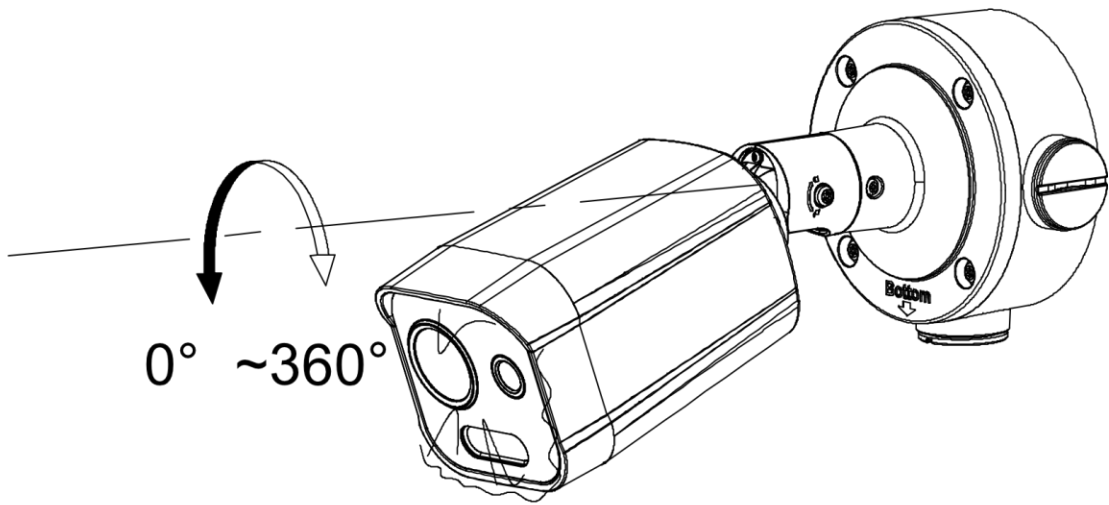
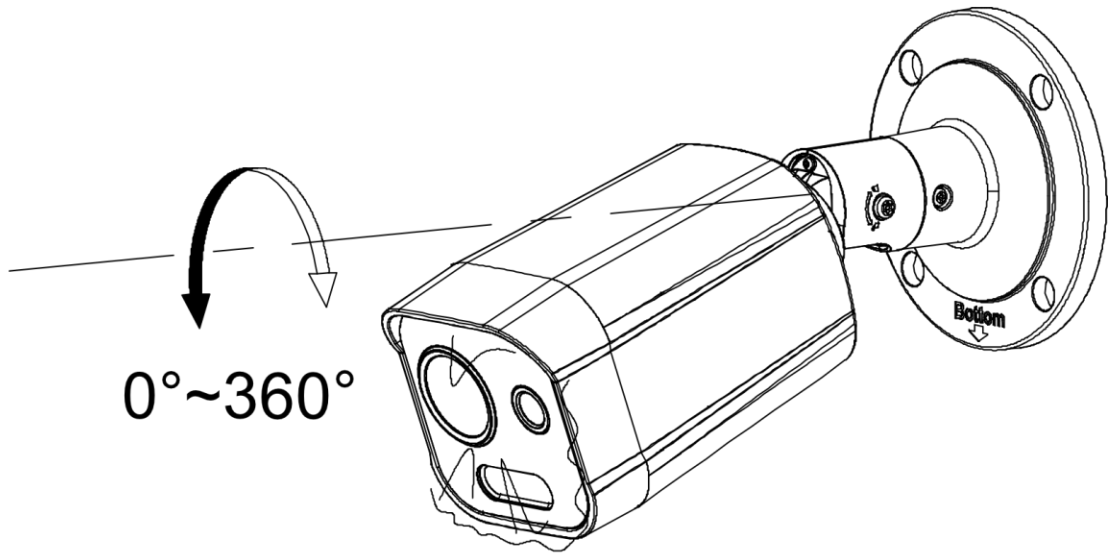
3.5*



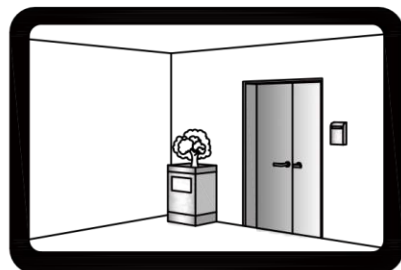
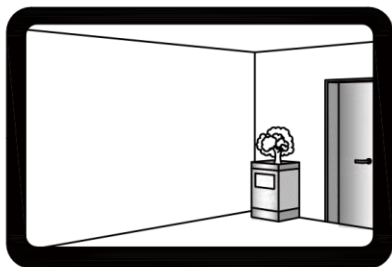
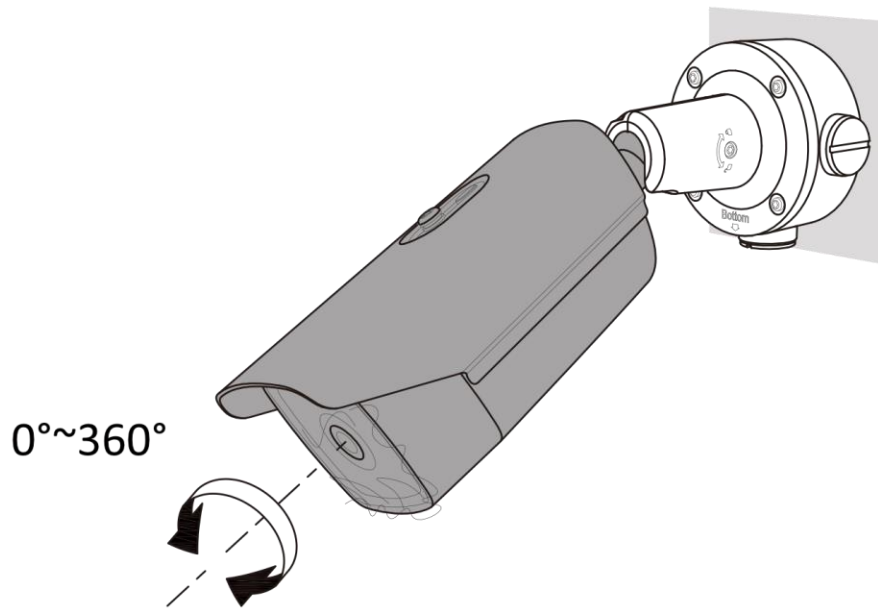
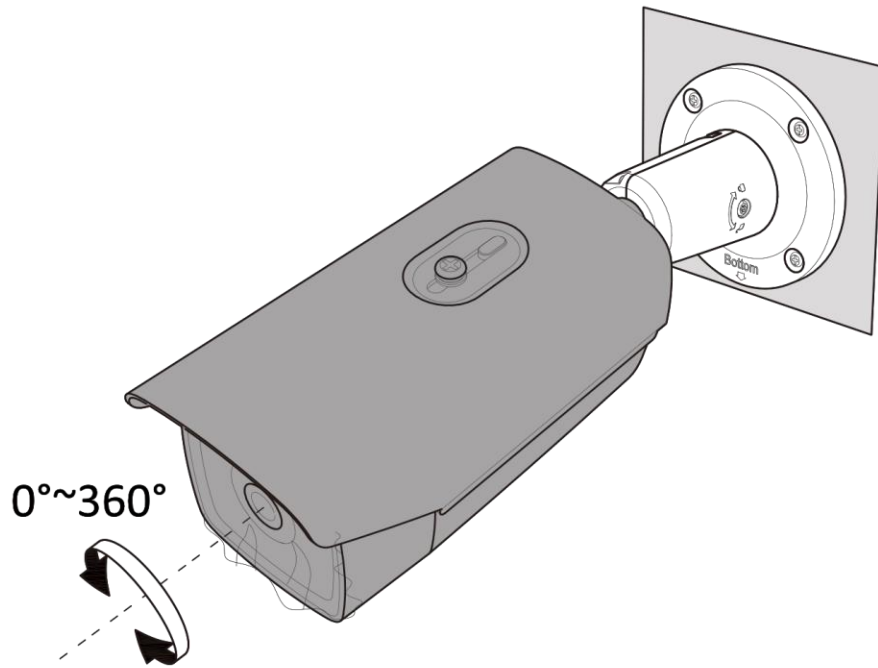
3.6



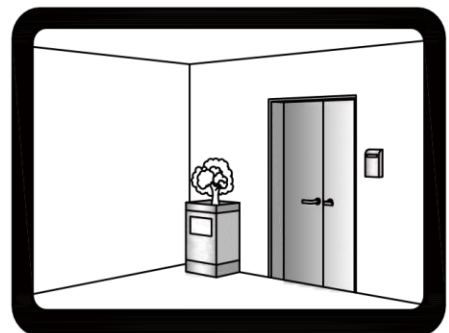
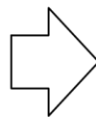
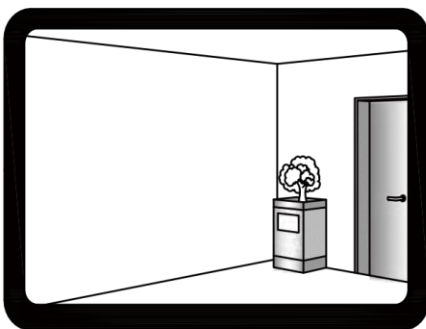
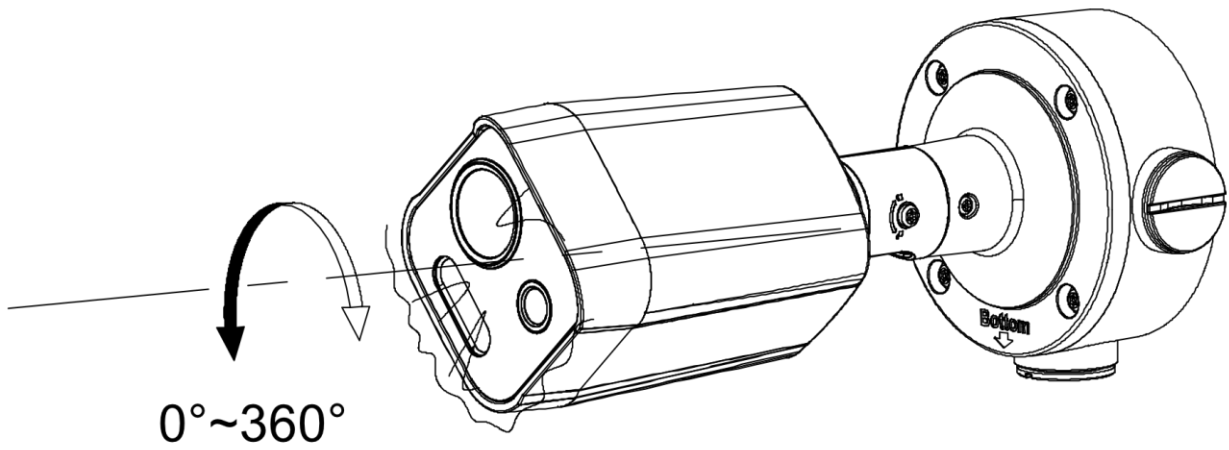
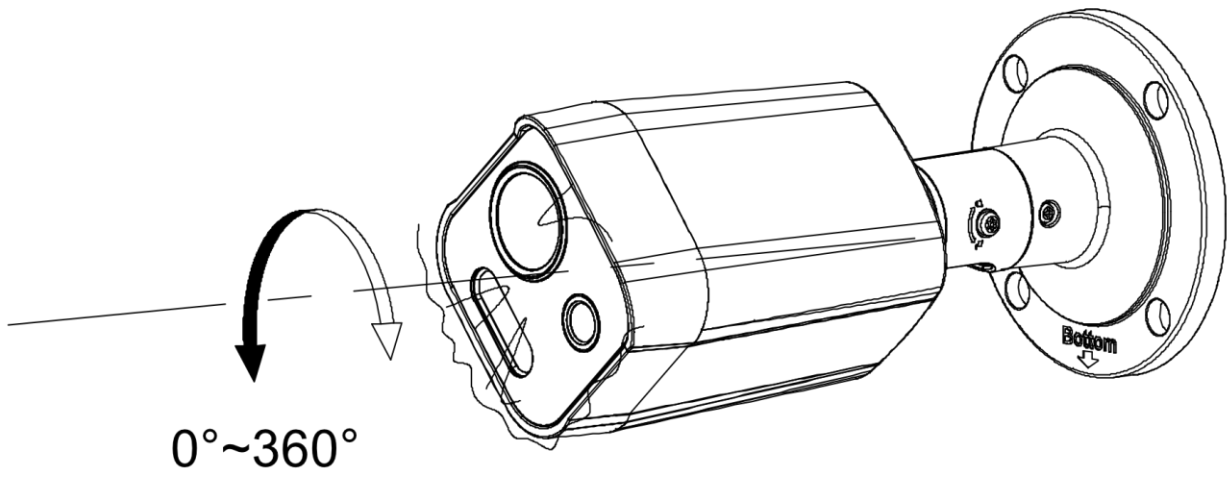
3.6*



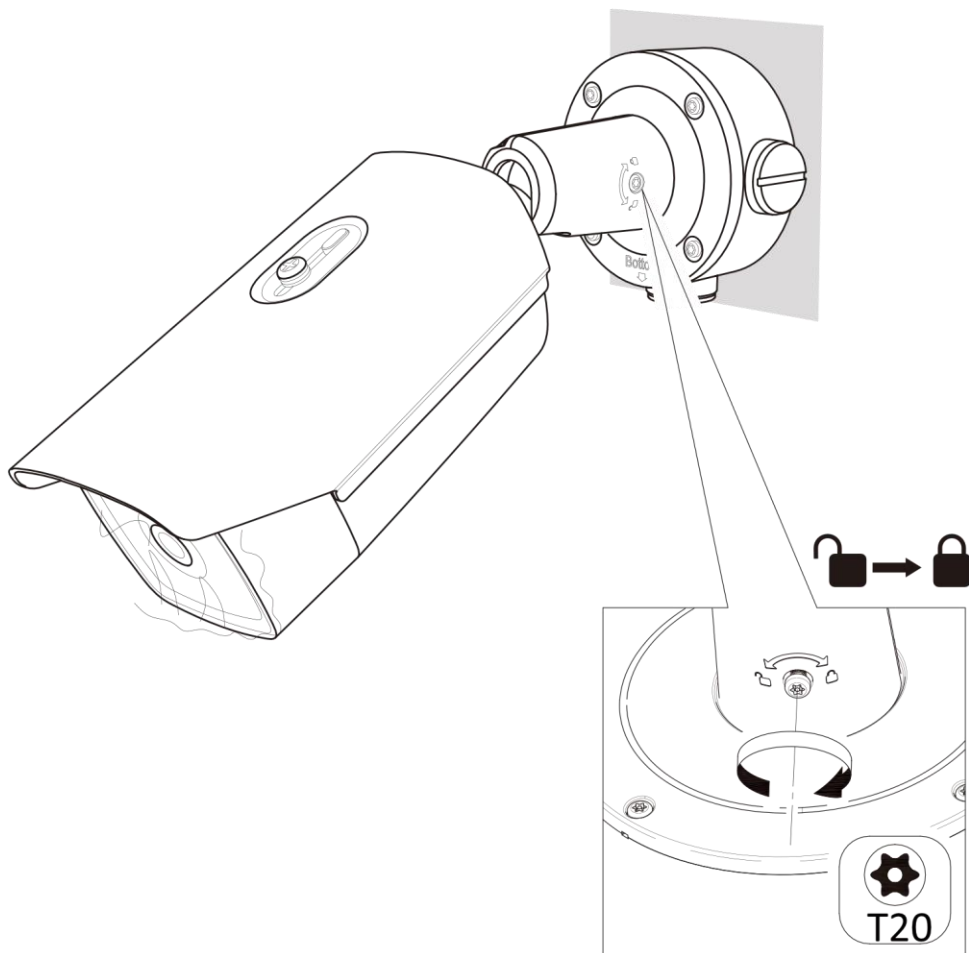
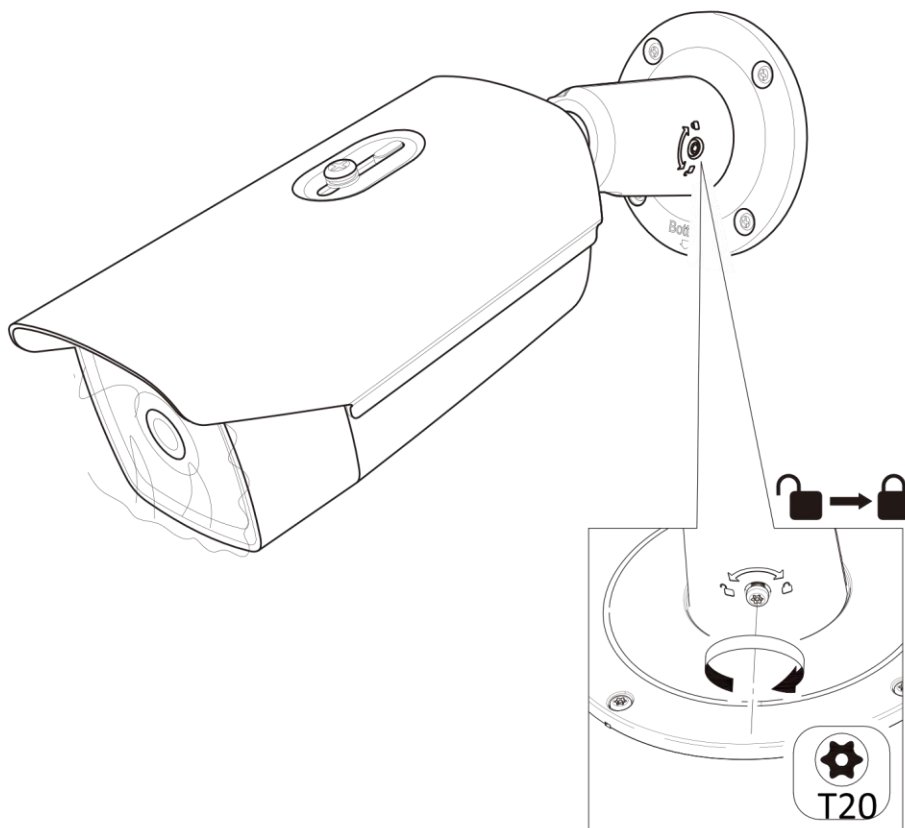
3.7



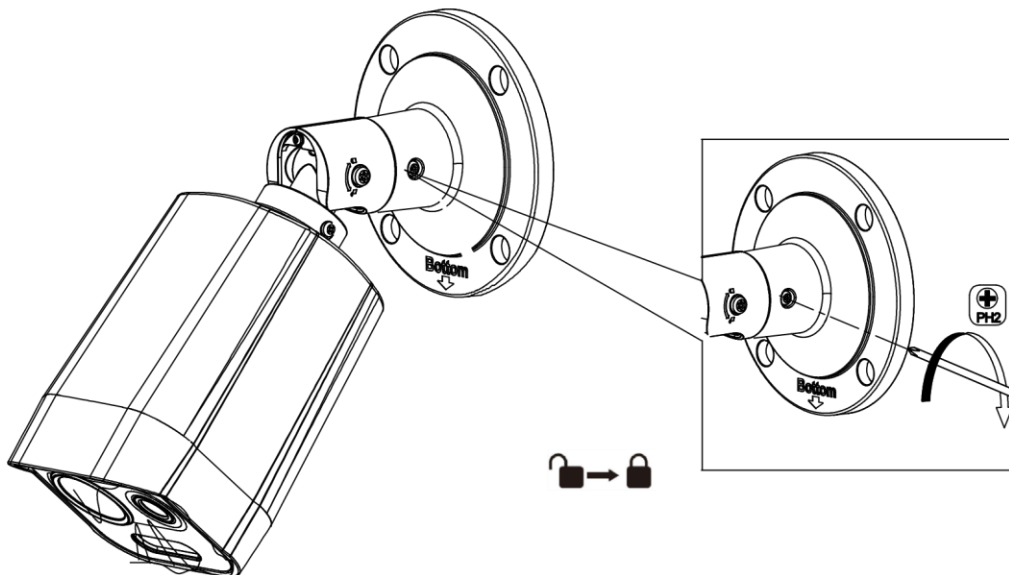
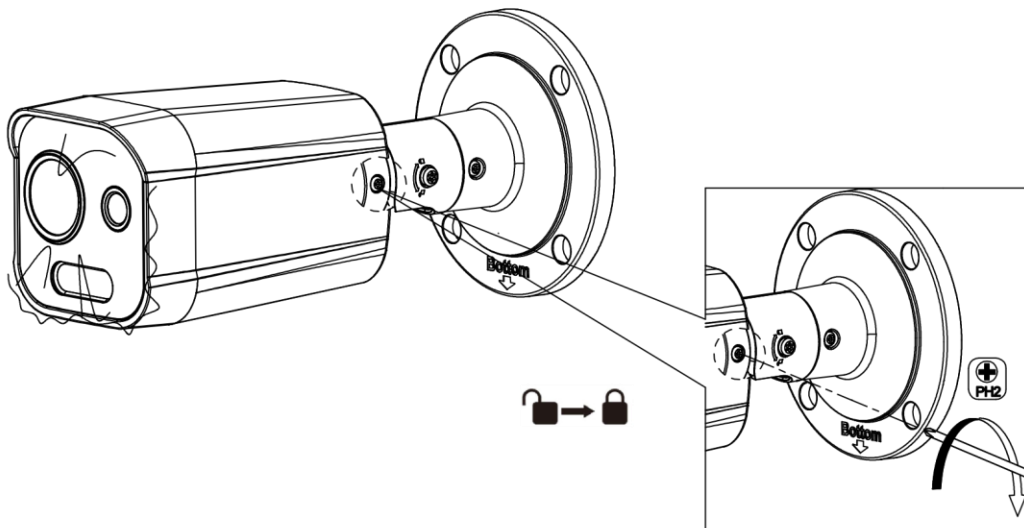
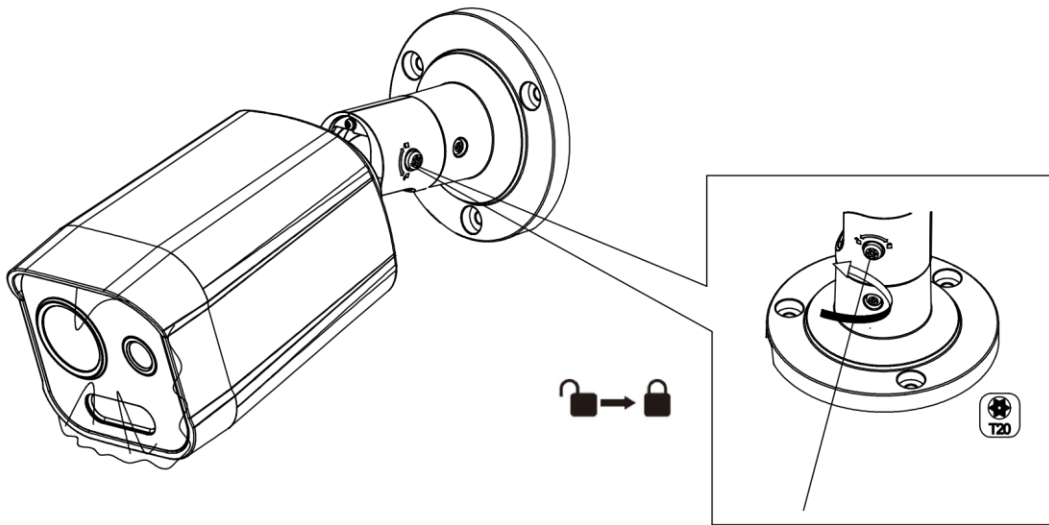
3.7*



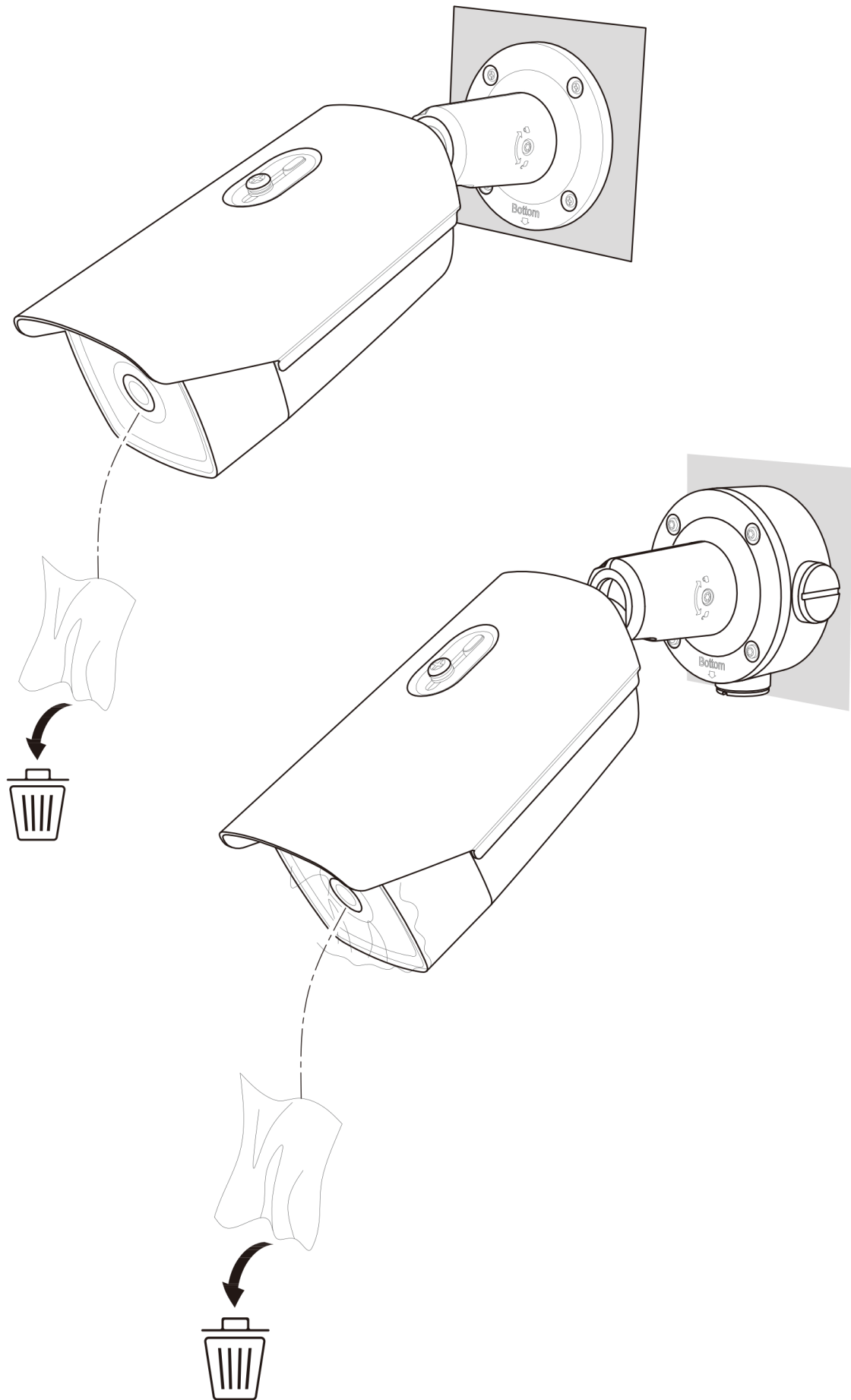
3.8



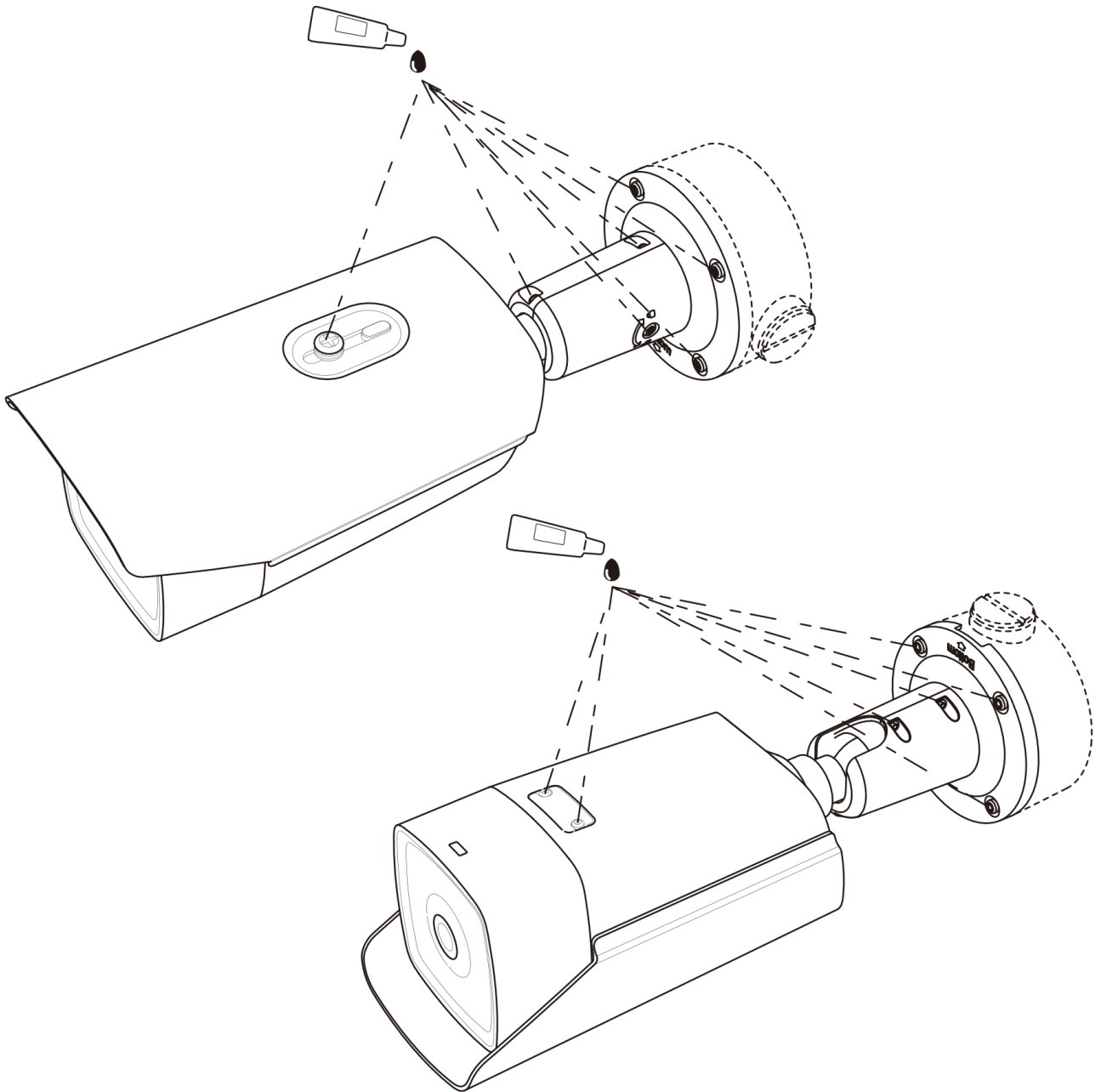
3.8*



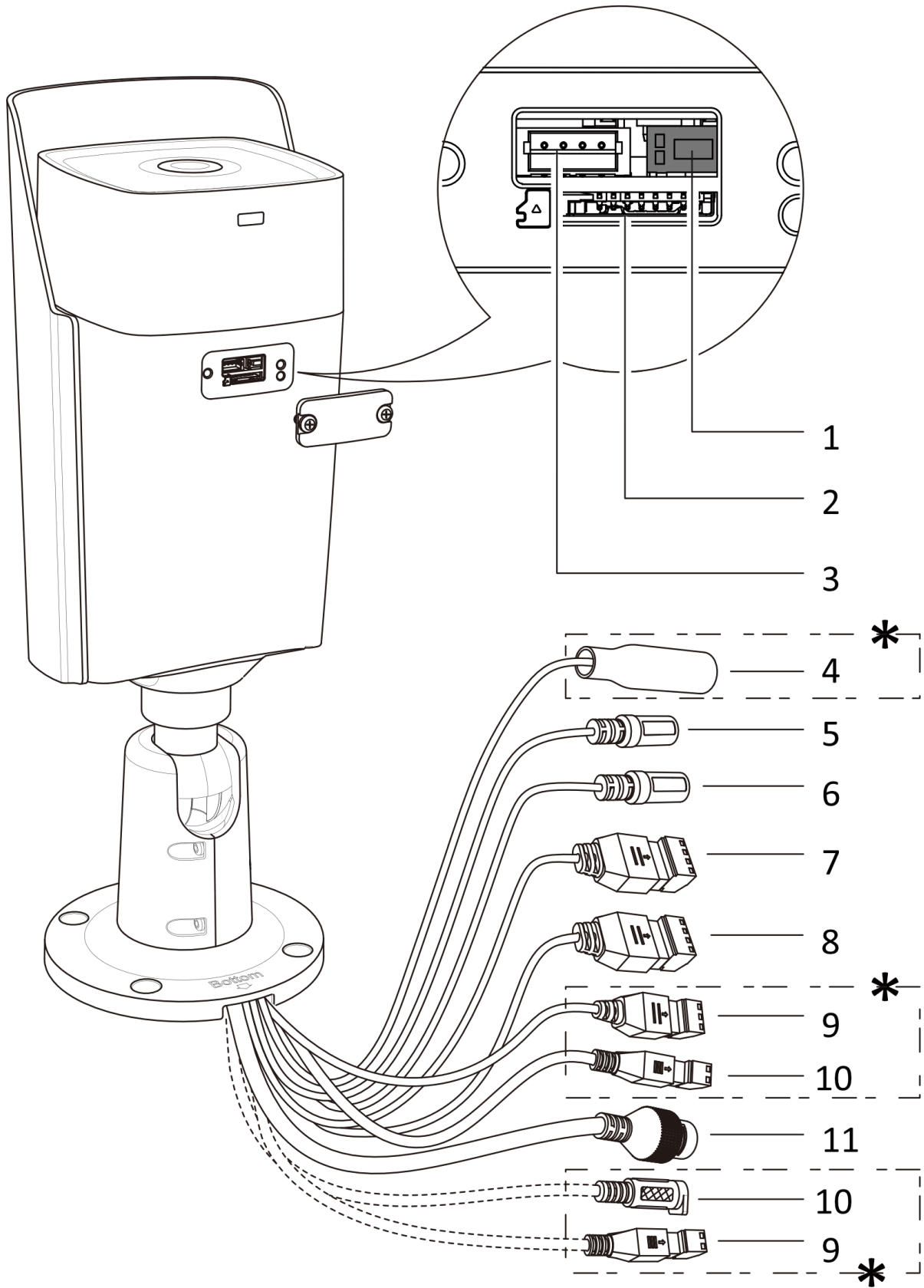
4.1



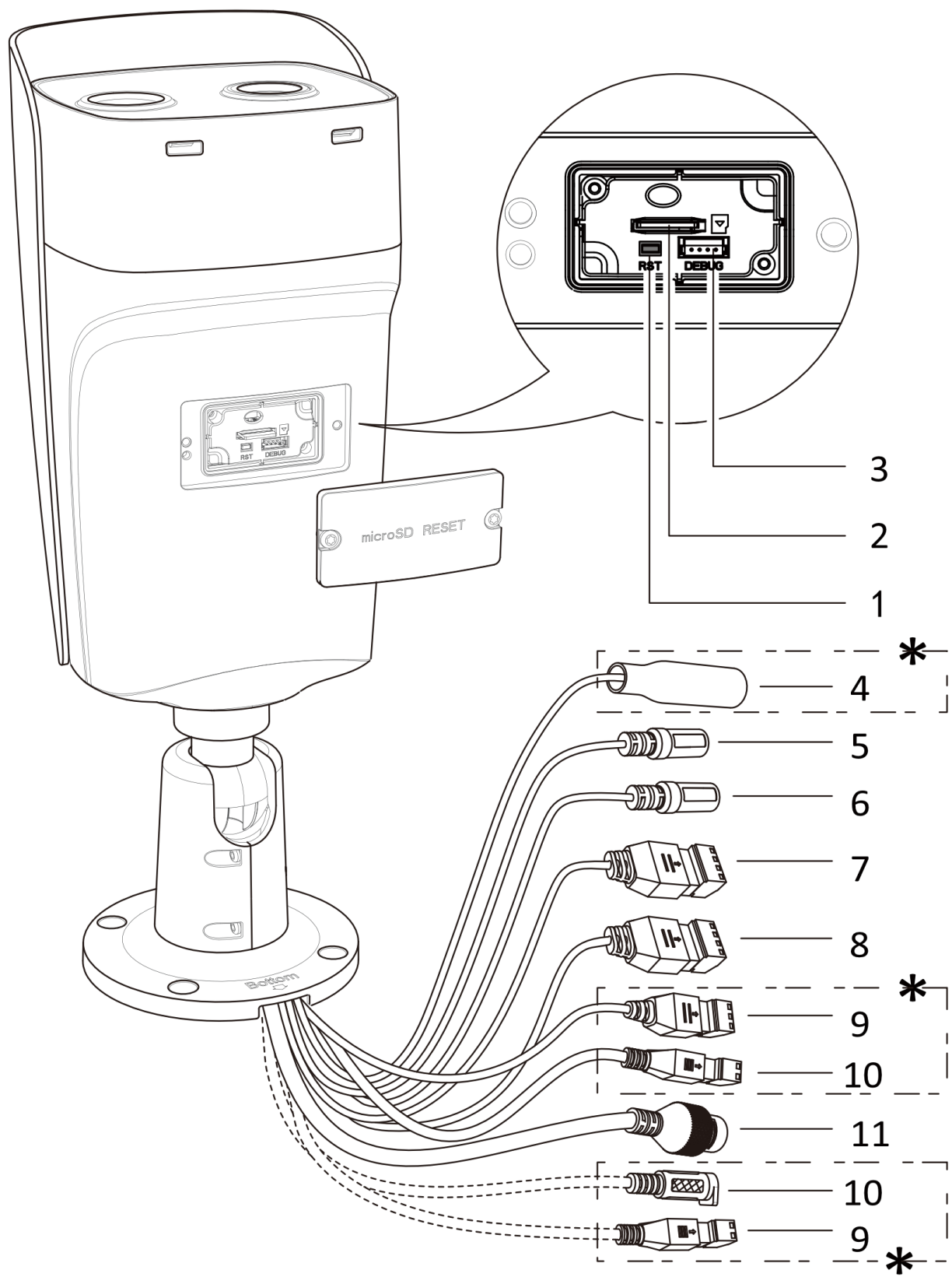
4.2*



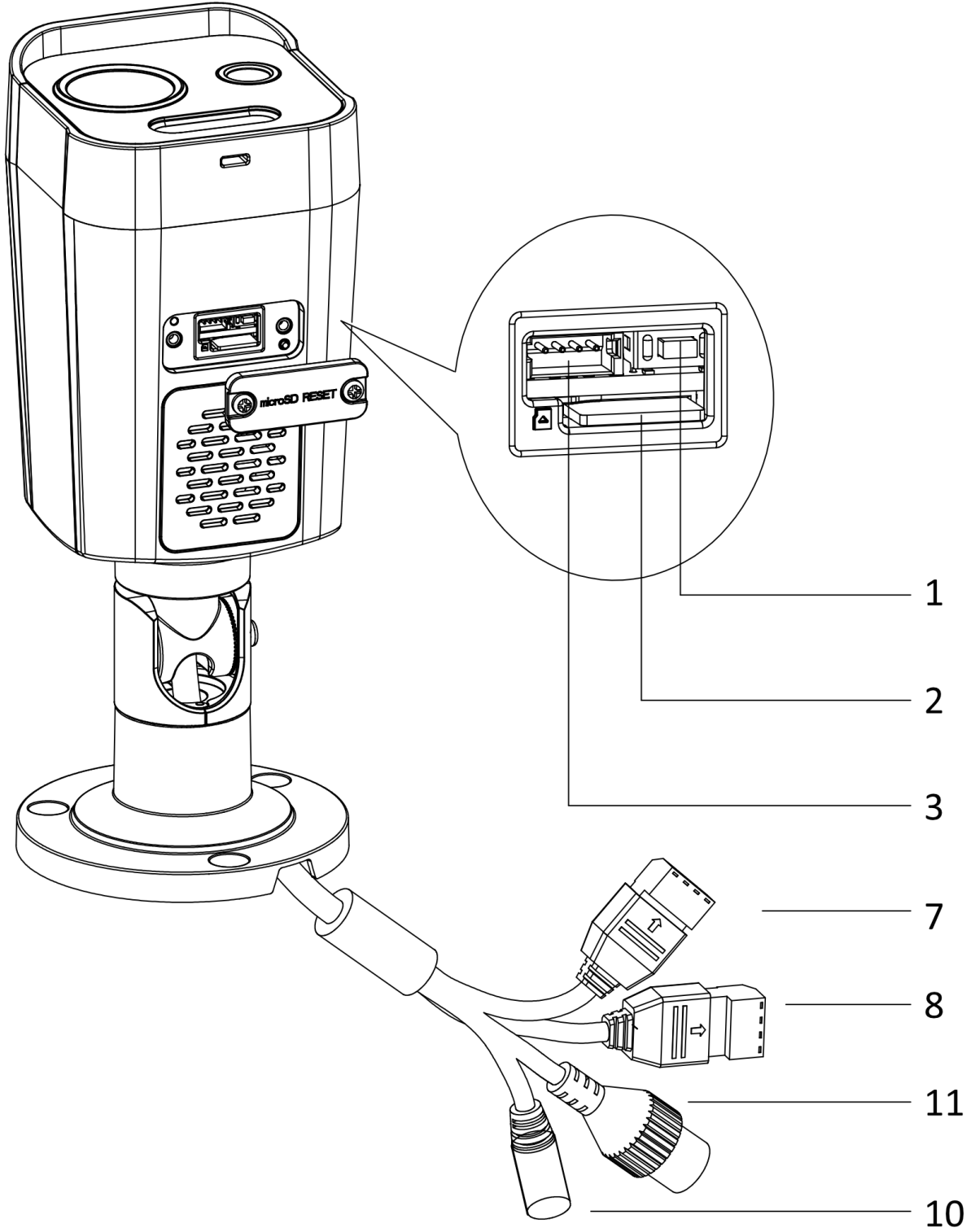
*



*



*















Thermal Network Bullet Camera	English	1
Caméra canon thermique réseau	Français	5
Thermische Netzwerk-Bulletkamera	Deutsch	9
Cámara Bullet térmica de red	Español	14
Termocamera di rete bullet	Italiano	18
Câmara Bullet de Rede Térmica	Português	23
Thermische netwerkbulletcamera	Nederlands	27
Síťová termokamera v provedení bullet	Čeština	31
Termisk bullet-kamera til netværk	Dansk	35
Cső kialakítású hálózati hőkamera	Magyar	40
Termowizyjna sieciowa kamera tubowa	Polski	44
Cameră termică de rețea, de tip bullet	Română	48
Sieťová tubusová termokamera	Slovenčina	52
Kamera Bullet Jaringan Termal	Bahasa Indonesia	56
အပူကွန်ရက် ကျည်ဆံ ကင်မရာ	မြန်မာ	61
Ağ Tipi Termal Bullet Kamera	Türkçe	66
Тепловизионная сетевая цилиндрическая камера	Русский	70
Циліндрична тепловізійна мережева камера	Українська	75
열화상 네트워크 볼렛 카메라	한국어	80
サーマルネットワークブレットカメラ	日本語	84
熱像網路槍型攝影機	繁體中文	88

Cable and Interface

No.	Function	No.	Function
1	Reset Button	7	Alarm Cable 2
2	Memory Card	8	Alarm Cable 1
3	Debugging Serial Port	9	RS-485 Cable
4	CVBS Cable	10	DC Power Cable
5	Audio Input	11	Ethernet
6	Audio Output		

Symbols and Marks

	Notice		<ul style="list-style-type: none"> i. Accessories applicable to some models only. ii. Variable types and quantities. iii. Skip this step if not required.
	Warning		MicroSD card
	Forbidden		Grounding
	Correct		Disposal
	Incorrect		Purchase separately
	Turn to page A and continue.		Other situations

Activate and Access Network Camera

Scan the QR code to get **Activate and Access Network Camera**. Note that mobile data charges may apply if Wi-Fi is unavailable.



Activate and Access
Network Camera

Reset and Restore Camera

Press Reset button for about 10 s when the camera is powering on or restarting to restore the default settings, including the user name, password, IP address, port No., etc.

User Manual & FAQ

For more detailed instructions, scan the QR code below to see **User Manual**. The functions may vary according to different camera models. Take the actual product for reference.



Bi-spectrum Network Bullet
Camera



Thermal Network
Bullet Camera



FAQ

Legal Information


©Hangzhou Microimage Software Co., Ltd. All rights reserved.

About this Manual

The Manual includes instructions for using and managing the Product. Pictures, charts, images and all other information hereinafter are for description and explanation only. The information contained in the Manual is subject to change, without notice, due to firmware updates or other reasons. Please find the latest version of this Manual at the HIKMICRO website (www.hikmicrotech.com).

Please use this Manual with the guidance and assistance of professionals trained in supporting the Product.

Trademarks

 **HIKMICRO** and other HIKMICRO's trademarks and logos are the properties of HIKMICRO in various jurisdictions.

Other trademarks and logos mentioned are the properties of their respective owners.

Disclaimer

TO THE MAXIMUM EXTENT PERMITTED BY APPLICABLE LAW, THIS MANUAL AND THE PRODUCT DESCRIBED, WITH ITS HARDWARE,

SOFTWARE AND FIRMWARE, ARE PROVIDED "AS IS" AND "WITH ALL FAULTS AND ERRORS". HIKMICRO MAKES NO WARRANTIES, EXPRESS OR IMPLIED, INCLUDING WITHOUT LIMITATION, MERCHANTABILITY, SATISFACTORY QUALITY, OR FITNESS FOR A PARTICULAR PURPOSE. THE USE OF THE PRODUCT BY YOU IS AT YOUR OWN RISK. IN NO EVENT WILL HIKMICRO BE LIABLE TO YOU FOR ANY SPECIAL, CONSEQUENTIAL, INCIDENTAL, OR INDIRECT DAMAGES, INCLUDING, AMONG OTHERS, DAMAGES FOR LOSS OF BUSINESS PROFITS, BUSINESS INTERRUPTION, OR LOSS OF DATA, CORRUPTION OF SYSTEMS, OR LOSS OF DOCUMENTATION, WHETHER BASED ON BREACH OF CONTRACT, TORT (INCLUDING NEGLIGENCE), PRODUCT LIABILITY, OR OTHERWISE, IN CONNECTION WITH THE USE OF THE PRODUCT, EVEN IF HIKMICRO HAS BEEN ADVISED OF THE POSSIBILITY OF SUCH DAMAGES OR LOSS. YOU ACKNOWLEDGE THAT THE NATURE OF THE INTERNET PROVIDES FOR INHERENT SECURITY RISKS, AND HIKMICRO SHALL NOT TAKE ANY RESPONSIBILITIES FOR ABNORMAL OPERATION, PRIVACY LEAKAGE OR OTHER DAMAGES RESULTING FROM CYBER-ATTACK, HACKER ATTACK, VIRUS INFECTION, OR OTHER INTERNET SECURITY RISKS; HOWEVER, HIKMICRO WILL PROVIDE TIMELY TECHNICAL SUPPORT IF REQUIRED.

YOU AGREE TO USE THIS PRODUCT IN COMPLIANCE WITH ALL APPLICABLE LAWS, AND YOU ARE SOLELY RESPONSIBLE FOR ENSURING THAT YOUR USE CONFORMS TO THE APPLICABLE LAW. ESPECIALLY, YOU ARE RESPONSIBLE, FOR USING THIS PRODUCT IN A MANNER THAT DOES NOT INFRINGE ON THE RIGHTS OF THIRD PARTIES, INCLUDING WITHOUT LIMITATION, RIGHTS OF PUBLICITY, INTELLECTUAL PROPERTY RIGHTS, OR DATA PROTECTION AND OTHER PRIVACY RIGHTS. YOU SHALL NOT USE THIS PRODUCT FOR ANY PROHIBITED END-USES, INCLUDING THE DEVELOPMENT OR PRODUCTION OF WEAPONS OF MASS DESTRUCTION, THE DEVELOPMENT OR PRODUCTION OF CHEMICAL OR BIOLOGICAL WEAPONS, ANY ACTIVITIES IN THE CONTEXT RELATED TO ANY NUCLEAR EXPLOSIVE OR UNSAFE NUCLEAR FUEL-CYCLE, OR IN SUPPORT OF HUMAN RIGHTS ABUSES. IN THE EVENT OF ANY CONFLICTS BETWEEN THIS MANUAL AND THE APPLICABLE LAW, THE LATTER PREVAILS.

Regulatory Information

These clauses apply only to the products bearing the corresponding mark or information.

EU Compliance Statement



This product and - if applicable - the supplied accessories too are marked with "CE" and comply therefore with the applicable harmonized European standards listed under the Directive 2014/30/EU (EMCD) and

Directive 2011/65/EU (RoHS).

Note: The products with the input voltage of within 50 to 1000 VAC or 75 to 1500 VDC comply with Directive 2014/35/EU (LVD), and the rest products comply with Directive 2001/95/EC (GPSD). Please check the specific power supply information for reference.

Warning: This is a class A product. In a domestic environment this product may cause radio interference, in which case, the user may be required to take adequate measures.



Directive 2012/19/EU (WEEE Directive): Products marked with this symbol cannot be disposed of as unsorted municipal waste in the European Union.

For proper recycling, return this product to your local supplier upon the purchase of equivalent new equipment, or dispose of it at designated collection points. For more information see: www.recyclethis.info.



Directive 2006/66/EC and its amendment 2013/56/EU (Battery Directive): This product contains a battery that cannot be disposed of as unsorted municipal waste in the European Union. See the product documentation for specific battery information. The battery is marked with this symbol, which may include lettering to indicate cadmium (Cd), lead (Pb), or mercury (Hg). For proper recycling, return the battery to your supplier or to a designated collection point. For more information see: www.recyclethis.info.

Industry Canada ICES-003 Compliance

This device meets the CAN ICES-003 (A) / NMB-003 (A) standards requirements.

Safety Information

Please read all the safety information carefully before using.

Laws and Regulations

In the use of the product, you must be in strict compliance with the electrical safety regulations of the nation and region.

Transportation

- Keep the device in original or similar packaging while transporting it.
- Keep all wrappers after unpacking them for future use. In case of any failure occurred, you need to return the device to the factory with the original wrapper. Transportation without the original wrapper may result in damage on the device and the company shall not take any responsibilities.
- DO NOT drop the product or subject it to physical shock. Keep the device away from magnetic interference.

Power Supply

- Please purchase the charger by yourself. Input voltage should meet the Limited Power Source with 12 VDC, or PoE (802.3af) according to the


IEC62368 standard. Please refer to technical specifications for detailed information.

- Make sure the plug is properly connected to the power socket.
- The socket-outlet shall be installed near the equipment and shall be easily accessible.
- DO NOT connect multiple devices to one power adapter, to avoid over-heating or fire hazards caused by overload.
- DO NOT touch the bare metal contacts of the inlets after the circuit breaker is turned off. Electricity still exists.
- + identifies the positive terminal(s) of equipment which is used with, or generates direct current. - identifies the negative terminal(s) of equipment which is used with, or generates direct current.

Battery

- Risk of explosion if the battery is replaced by an incorrect type. Dispose of used batteries according to the instructions. Il y a risque d'explosion si la batterie est remplacée par une batterie de type incorrect. Mettre au rebut les batteries usagées conformément aux instructions.
- The built-in battery cannot be dismantled. Please contact the manufacture for repair if necessary.
- For long-term storage of the battery, make sure it is fully charged every half year to ensure the battery quality. Otherwise, damage may occur.
- This equipment is not suitable for use in locations where children are likely to be present.
- Improper replacement of the battery with an incorrect type may defeat a safeguard (for example, in the case of some lithium battery types).
- Do not dispose of the battery into fire or a hot oven, or mechanically crush or cut the battery, which may result in an explosion.
- DO NOT leave the battery in an extremely high temperature surrounding environment, which may result in an explosion or the leakage of flammable liquid or gas.
- DO NOT subject the battery to extremely low air pressure, which may result in an explosion or the leakage of flammable liquid or gas.

Supplement Light

-  The beam of the light at the distance of 200 mm is classified as Risk Group 2 (RG2). Possible hazardous optical radiation emitted from this product.
- DO NOT stare at operating light source. May be harmful to the eyes.
- Wear appropriate eye protection or turn on the supplement light only at a safe distance (2.9 m) or in the area that is not directly exposed to the light when installing or maintaining the device.

Installation

- Never place the equipment in an unstable location. The equipment may fall, causing serious personal injury or death.

- This equipment is for use only with corresponding brackets. Use with other (carts, stands, or carriers) may result in instability causing injury.

System Security


- You acknowledge that the nature of Internet provides for inherent security risks, and our company shall not take any responsibilities for abnormal operation, privacy leakage or other damages resulting from cyber attack, hacker attack, however, our company will provide timely technical support if required.
- Please enforce the protection for the personal information and the data security as the device may be confronted with the network security problems when it is connected to the Internet. Please contact us when the device might exist network security risks.
- Please understand that you have the responsibility to configure all the passwords and other security settings about the device, and keep your user name and password.

Maintenance

- If the product does not work properly, please contact your dealer or the nearest service center. We shall not assume any responsibility for problems caused by unauthorized repair or maintenance.
- A few device components (e.g., electrolytic capacitor) require regular replacement. The average lifespan varies, so periodic checking is recommended. Contact your dealer for details.
- Wipe the device gently with a clean cloth and a small quantity of ethanol, if necessary.
- If the equipment is used in a manner not specified by the manufacturer, the protection provided by the device may be impaired.
- To reduce the risk of fire, replace only with the same type and rating of fuse.
- The serial port of the equipment is used for debugging only.

Using Environment

- Make sure the running environment meets the requirement of the device. The operating temperature shall be -40 °C to 70 °C (-40 °F to 158 °F), and humidity shall be 5% to 95%.
- Place the device in a dry and well-ventilated environment.
- DO NOT expose the device to high electromagnetic radiation or dusty environments.
- DO NOT aim the lens at the sun or any other bright light.
- The equipment shall not be exposed to dripping or splashing and that no objects filled with liquids, such as vases, shall be placed on the equipment.
- No naked flame sources, such as lighted candles, should be placed on the equipment.
- Provide a surge suppressor at the inlet opening of the equipment under special conditions such as the mountain top, iron tower, and forest.

- Burned fingers when handling the parts with symbol . Wait one-half hour after switching off before handling the parts.

Emergency

- If smoke, odor, or noise arises from the device, immediately turn off the power, unplug the power cable, and contact the service center.

Manufacture Address

Room 313, Unit B, Building 2,
399 Danfeng Road, Xixing Subdistrict, Binjiang
District, Hangzhou, Zhejiang 310052, China
Hangzhou Microimage Software Co., Ltd.




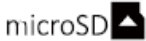






COMPLIANCE NOTICE: The thermal series products might be subject to export controls in various countries or regions, including without limitation, the United States, European Union, United Kingdom and/or other member countries of the Wassenaar Arrangement. Please consult your professional legal or compliance expert or local government authorities for any necessary export license requirements if you intend to transfer, export, re-export the thermal series products between different countries.

Français

Câble et interface

N°	Fonction	N°	Fonction
1	Bouton de réinitialisation	7	Câble d'alarme 2
2	Carte mémoire	8	Câble d'alarme 1
3	Port série de débogage	9	Câble RS-485
4	Câble CVBS	10	Câble d'alimentation CC
5	Entrée audio	11	Ethernet
6	Sortie audio		

Symboles et marques

	Attention		i. Accessoires applicables à certains modèles seulement. ii. Types et quantités variables. iii. Ignorez cette étape si elle n'est pas nécessaire.
	Avertissement		Carte microSD
	Interdit		Mise à la terre
	Correct		Mise au rebut
	Incorrect		À acheter séparément



Passez à la page A et continuez.



Autres situations

Activation et accès à la caméra réseau

Scannez le code QR pour **activer et accéder à la caméra réseau**. Veuillez noter que des frais de données mobiles peuvent s'appliquer si un réseau Wi-Fi n'est pas disponible.



Activation et accès à la
caméra réseau

Réinitialisation et restauration de la caméra

Appuyez sur le bouton de réinitialisation pendant environ 10 s lors de la mise en marche ou du redémarrage de la caméra pour restaurer les paramètres par défaut, notamment le nom d'utilisateur, le mot de passe, l'adresse IP, le numéro de port, etc.

Manuel d'utilisation et questions fréquentes

Pour des instructions plus détaillées, scannez le code QR ci-dessous pour consulter le **manuel de l'utilisateur**. Les fonctions peuvent varier selon les modèles de caméras. Référez-vous au produit réel.



Caméra canon réseau
bispectrale



Caméra canon
thermique réseau



Questions fréquentes

Informations légales

Clause d'exclusion de responsabilité

DANS LES LIMITES AUTORISÉES PAR LA LOI EN VIGUEUR, LE PRÉSENT MANUEL ET LE PRODUIT DÉCRIT, AINSI QUE SON MATÉRIEL, SES LOGICIELS

ET SES MICROLOGICIELS, SONT FOURNIS « EN L'ÉTAT » ET « AVEC CES FAIBLESSES ET ERREURS ». HIKMICRO NE FAIT AUCUNE GARANTIE, EXPLICITE OU IMPLICITE, Y COMPRIS, MAIS SANS S'Y LIMITER, DE QUALITÉ MARCHANDE, DE QUALITÉ

SATISFAISANTE, OU D'ADÉQUATION À UN USAGE PARTICULIER. VOUS UTILISEZ LE PRODUIT À VOS PROPRES RISQUES. EN AUCUN CAS, HIKMICRO NE SERA TENU RESPONSABLE DE TOUT DOMMAGE SPÉCIAL, CONSÉCUTIF, ACCESSOIRE OU INDIRECT, Y COMPRIS, ENTRE AUTRES, LES DOMMAGES RELATIFS À LA PERTE DE PROFITS D'ENTREPRISE, À L'INTERRUPTION D'ACTIVITÉS COMMERCIALES, OU LA PERTE DES DONNÉES, LA CORRUPTION DES SYSTÈMES, OU LA PERTE DES DOCUMENTS, S'ILS SONT BASÉS SUR UNE VIOLATION DE CONTRAT, UNE FAUTE (Y COMPRIS LA NÉGLIGENCE), LA RESPONSABILITÉ EN MATIÈRE DE PRODUITS, OU AUTRE, EN RAPPORT AVEC L'UTILISATION DU PRODUIT, MÊME SI HIKMICRO A ÉTÉ INFORMÉ DE LA POSSIBILITÉ D'UN TEL DOMMAGE OU D'UNE TELLE PERTE.

VOUS RECONNAISSEZ QUE LA NATURE D'INTERNET EST SOURCE DE RISQUES DE SÉCURITÉ INHÉRENTS, ET HIKMICRO SE DÉGAGE DE TOUTE RESPONSABILITÉ EN CAS DE FONCTIONNEMENT ANORMAL, DIVULGATION D'INFORMATIONS CONFIDENTIELLES OU AUTRES DOMMAGES DÉCOULANT D'UNE CYBERATTAQUE, D'UN PIRATAGE INFORMATIQUE, D'UNE INFECTION PAR DES VIRUS, OU AUTRES RISQUES DE SÉCURITÉ LIÉS À INTERNET ; TOUTEFOIS, HIKMICRO FOURNIRA UNE ASSISTANCE TECHNIQUE DANS LES DÉLAIS SI NÉCESSAIRE.

VOUS ACCEPTEZ D'UTILISER CE PRODUIT CONFORMÉMENT À L'ENSEMBLE DES LOIS EN VIGUEUR. IL EST DE VOTRE RESPONSABILITÉ EXCLUSIVE DE VEILLER À CE QUE VOTRE UTILISATION SOIT CONFORME À LA LOI APPLICABLE. IL VOUS APPARTIENT SURTOUT D'UTILISER CE PRODUIT D'UNE MANIÈRE QUI NE PORTE PAS ATTEINTE AUX DROITS DE TIERS, Y COMPRIS, MAIS SANS S'Y LIMITER, LES DROITS DE PUBLICITÉ, LES DROITS DE PROPRIÉTÉ INTELLECTUELLE, OU LA PROTECTION DES DONNÉES ET D'AUTRES DROITS À LA VIE PRIVÉE. VOUS NE DEVEZ PAS UTILISER CE PRODUIT POUR TOUTE UTILISATION FINALE INTERDITE, NOTAMMENT LA MISE AU POINT OU LA PRODUCTION D'ARMES DE DESTRUCTION MASSIVE, LA MISE AU POINT OU LA FABRICATION D'ARMES CHIMIQUES OU BIOLOGIQUES, LES ACTIVITÉS DANS LE CONTEXTE LIÉ AUX EXPLOSIFS NUCLÉAIRES OU AU CYCLE DU COMBUSTIBLE NUCLÉAIRE DANGEREUX, OU SOUTENANT LES VIOLATIONS DES DROITS DE L'HOMME. EN CAS DE CONFLIT ENTRE CE MANUEL ET LES LOIS EN VIGUEUR, CES DERNIÈRES PRÉVALENT.

Réglementation

Ces clauses ne s'appliquent qu'aux produits portant la marque ou l'information correspondante.

Déclaration de conformité UE



Ce produit et, le cas échéant, les accessoires fournis portent le marquage « CE » et sont donc

conformes aux normes européennes harmonisées applicables répertoriées dans la Directive 2014/30/UE (directive sur la compatibilité électromagnétique) et la Directive 2011/65/UE (RoHS).

Remarque : Les produits dont la tension d'entrée est comprise entre 50 et 1 000 V CA ou 75 et 1 500 V CC sont conformes à la directive 2014/35/UE (LVD), et les autres produits sont conformes à la directive 2001/95/CE (GPSD). Veuillez examiner les informations d'alimentation spécifiques à des fins de référence.

Avertissement : Il s'agit d'un produit de classe A. Dans un environnement domestique, ce produit peut provoquer des interférences radio, auquel cas l'utilisateur peut être amené à prendre des mesures adéquates.



Directive 2012/19/UE (directive DEEE) : dans l'Union européenne, les produits portant ce pictogramme ne doivent pas être déposés dans une décharge

municipale où le tri des déchets n'est pas pratiqué. Pour un recyclage adéquat, remettez ce produit à votre revendeur lors de l'achat d'un nouvel équipement équivalent, ou déposez-le dans un lieu de collecte prévu à cet effet. Pour de plus amples informations, visitez le site Web : www.recyclethis.info.



Directive 2006/66/CE et son amendement 2013/56/UE (directive sur les batteries) : ce produit renferme une

pile qui ne doit pas être déposée dans une décharge municipale où le tri des déchets n'est pas pratiqué, dans l'Union européenne. Pour plus de précisions sur la pile, reportez-vous à sa documentation. La pile porte le pictogramme ci-contre, qui peut inclure la mention Cd (cadmium), Pb (plomb) ou Hg (mercure). Pour la recycler correctement, renvoyez-la à votre revendeur ou déposez-la dans un point de collecte prévu à cet effet. Pour de plus amples informations, visitez le site Web : www.recyclethis.info.

Conformité Industrie Canada ICES-003

Cet appareil répond aux exigences des normes CAN ICES-003 (A)/NMB-003 (A)

Consignes de sécurité

Veuillez lire soigneusement toutes les consignes de sécurité avant d'utiliser l'appareil.

Lois et réglementations

En utilisant le produit, vous devez respecter rigoureusement la réglementation relative à la sécurité électrique de votre pays ou région.

Transport

- Gardez l'appareil dans son emballage d'origine ou dans un emballage similaire lors de son transport.
- Veuillez conserver l'emballage de l'appareil pour toute utilisation ultérieure. En cas de panne, vous devrez renvoyer l'appareil à l'usine dans son emballage d'origine. Le transport de l'appareil sans son emballage d'origine peut l'endommager, et l'entreprise se dégage de toute responsabilité dans ce cas.
- Ne pas faire tomber le produit ou le soumettre à un choc physique. Éloigner l'appareil d'interférences magnétiques.

Alimentation électrique

- Veuillez acheter vous-même le chargeur. La tension d'entrée doit être conforme à celle d'une source d'alimentation limitée de 12 V CC, PoE (802.3af), selon la norme CEI 62368. Veuillez vous référer aux caractéristiques techniques pour des informations détaillées.
- Vérifiez que la prise est correctement branchée à la prise électrique.
- La prise de courant doit être installée près de l'équipement et doit être facilement accessible.
- Pour éviter tout risque de surchauffe ou d'incendie dû à une surcharge, ne reliez PAS plusieurs appareils à un seul adaptateur d'alimentation.
- Ne touchez PAS les contacts métalliques nus des entrées après que le disjoncteur a été coupé. De l'électricité peut encore circuler.
- Le symbole « + » identifie la (les) borne(s) positive(s) de l'équipement qui est utilisé avec, ou qui génère du courant continu. Le symbole « - » identifie la (les) borne(s) négative(s) de l'équipement qui est utilisé avec, ou qui génère du courant continu.


Batterie

- Il y a un risque d'explosion lorsque la batterie est remplacée par une batterie de type incorrect. Éliminez les piles usées conformément aux instructions.
- La batterie intégrée ne peut pas être démontée. Veuillez contacter le fabricant pour réparation si nécessaire.
- En cas de stockage à long terme de la pile, assurez-vous qu'elle est complètement chargée tous les six mois afin d'en conserver la qualité. Dans le cas contraire, elle pourrait se détériorer.
- Cet équipement n'est pas adapté à un usage dans les endroits où des enfants sont susceptibles d'être présents.
- Le remplacement de la pile par une pile du mauvais type peut conduire à l'annulation d'une protection (par exemple, dans le cas de certains types de piles au lithium).
- Ne jetez pas une pile au feu ou dans un four chaud, ni ne broyez mécaniquement ou découpez

une pile, car cela pourrait engendrer une explosion.

- Ne laissez pas une batterie dans un environnement ambiant extrêmement chaud, car vous encourez un risque d'explosion ou une fuite de liquide ou de gaz inflammable.
- N'exposez pas une batterie à des pressions atmosphériques extrêmement basses, car vous encourez un risque d'explosion ou une fuite de liquide ou de gaz inflammable.

Éclairage supplémentaire

-  Le faisceau lumineux à une distance de 200 mm est classé dans le groupe de risque 2 (RG2). Ce produit est susceptible d'émettre des rayonnements optiques dangereux.
- NE regardez PAS la source lumineuse lorsqu'elle est allumée. Elle peut être nocive pour les yeux.
- Portez un équipement de protection oculaire approprié ou n'allumez l'éclairage supplémentaire qu'en respectant une distance de sécurité (2,9 m) ou en vous tenant dans la zone qui n'est pas directement exposée à cet éclairage lorsque vous installez ou entretenez l'appareil.

Installation

- N'installez jamais l'équipement sur un support instable. L'équipement pourrait tomber, entraînant des blessures graves, voire la mort.
- Cet équipement doit être utilisé uniquement avec les supports correspondants. Toute utilisation avec d'autres supports (chariots, stations ou transporteurs) peut entraîner une instabilité pouvant causer des blessures.

Sécurité du système

- Vous reconnaissez que la nature d'Internet est source de risques de sécurité inhérents, et notre société se dégage de toute responsabilité en cas de fonctionnement anormal, divulgation d'informations confidentielles ou autres dommages découlant d'une cyberattaque ou d'un piratage informatique ; toutefois, notre société fournira une assistance technique dans les délais, le cas échéant.
- Veuillez renforcer la protection des informations personnelles et la sécurité des données, car l'appareil peut être exposé à des problèmes de sécurité réseau lorsqu'il est connecté à Internet. Veuillez nous contacter si l'appareil peut subir des risques en matière de sécurité réseau.
- Vous êtes responsable de la configuration de tous les mots de passe et d'autres paramètres de sécurité concernant l'appareil. Gardez votre nom d'utilisateur et votre mot de passe en sécurité.


Maintenance

- Si le produit ne fonctionne pas correctement, contactez votre revendeur ou le centre de service le plus proche. Nous n'assumerons aucune responsabilité concernant les problèmes causés par une réparation ou une opération de maintenance non autorisée.

- Certains composants de l'appareil (p. ex., condensateur électrolytique) doivent être remplacés régulièrement. Leur durée de vie moyenne est variable, c'est pourquoi des contrôles périodiques sont recommandés. Veuillez contacter votre distributeur pour plus d'informations.
- Essuyez délicatement l'appareil à l'aide d'un chiffon propre imbibé d'une petite quantité d'éthanol, si nécessaire.
- Si l'appareil n'est pas utilisé conformément aux indications du fabricant, le dispositif de protection fourni par l'appareil peut être compromis.
- Pour réduire le risque d'incendie, remplacez-le uniquement par un fusible de même type et de même calibre.
- Le port série de l'équipement est utilisé uniquement à des fins de débogage.

Environnement d'exploitation

- Assurez-vous que l'environnement d'exploitation répond aux exigences de l'appareil. La température de fonctionnement doit être comprise entre -40 °C et 70 °C et l'humidité entre 5 % et 95 %.
- Placez l'appareil dans un endroit sec et bien aéré.
- N'exposez PAS l'appareil à de puissants rayonnements électromagnétiques ou à des environnements poussiéreux.
- N'orientez PAS l'objectif vers le soleil ou toute autre source de lumière vive.
- L'équipement ne doit pas être exposé aux gouttes ou aux éclaboussures et aucun objet rempli de liquide, comme un vase, ne doit être placé sur l'équipement.

- Aucune source de flamme nue, telle que des bougies allumées, ne doit être placée sur l'équipement.
- Prévoyez un suppresseur de surtension à l'orifice d'entrée de l'équipement dans des conditions d'installation particulières p. ex. au sommet d'une montagne, d'une tour métallique et en forêt.
- La manipulation des pièces portant le symbole  risque de brûler les doigts. Attendez une demi-heure après l'arrêt de l'appareil avant de manipuler les pièces.

Urgence

- Si de la fumée, des odeurs ou du bruit s'échappent de l'appareil, mettez immédiatement l'appareil hors tension et débranchez le câble d'alimentation, puis contactez un centre de réparation.

Adresse de fabrication

Logement 313, Unité B, Bâtiment 2, 399 Danfeng Road, Sous-district de Xixing, District de Binjiang, Hangzhou, Zhejiang 310052, Chine
Hangzhou Microimage Software Co., Ltd.













AVIS DE CONFORMITÉ : il est possible que les produits de la série thermique soient soumis à des contrôles d'exportation dans divers pays ou diverses régions, ce qui inclut, sans s'y limiter, les États-Unis, l'Union européenne, le Royaume-Uni ou d'autres pays membres de l'Arrangement de Wassenaar. Veuillez consulter votre expert professionnel en questions juridiques ou en conformité ou les autorités de votre gouvernement local pour toute exigence de permis d'exportation si vous prévoyez de transférer, d'exporter ou de réexporter des produits de la série thermique entre différents pays.

Deutsch

Kabel und Anschlüsse

Nr.	Funktion	Nr.	Funktion
1	Reset-Taste	7	Alarmkabel 2
2	Speicherkarte	8	Alarmkabel 1
3	Serieller Anschluss für Fehlersuche	9	RS-485-Kabel
4	CVBS-Kabel	10	Gleichstrom-Versorgungskabel
5	Audioeingang	11	Ethernet
6	Audioausgang		

Symbole und Markierungen

	Hinweis		i. Das Zubehör gilt nur für einige Modelle. ii. Unterschiedliche Typen und Mengen. iii. Überspringen Sie diesen Schritt, wenn er nicht erforderlich ist.
	Warnhinweis	microSD 	MicroSD-Karte
	Verboten		Erdung
	Richtig		Entsorgung
	Falsch		Separat erhältlich
	Gehen Sie zu Seite A und fahren Sie fort.		Andere Situationen

Aktivieren und Zugriff auf Netzwerk-Kamera

Scannen Sie den QR-Code, um **Netzwerkcamera aktivieren und darauf zugreifen** abzurufen. Beachten Sie, dass Gebühren für mobile Daten anfallen können, wenn WLAN nicht verfügbar ist.



Aktivieren und Zugriff auf
Netzwerk-Kamera

Zurücksetzen und Wiederherstellen der Kamera

Drücken Sie beim Einschalten oder Neustart der Kamera ca. 10 s die Zurücksetzen-Taste, um die Standardeinstellungen einschließlich Benutzername, Passwort, IP-Adresse, Port-Nr. usw. wiederherzustellen.

Benutzerhandbuch und FAQ

Für genauere Anweisungen scannen Sie den QR-Code unten, um das **Benutzerhandbuch** einzusehen. Die Funktionen können je nach Kameramodell variieren. Nehmen Sie das tatsächliche Produkt als Referenz.



Bi-Spektrum
Netzwerk-Bulletkamera



Thermische
Netzwerk-Bulletkamera



FAQ

Rechtliche Informationen

Haftungsausschluss

DIESE BEDIENUNGSANLEITUNG UND DAS BESCHRIEBENE PRODUKT MIT SEINER HARDWARE, SOFTWARE UND FIRMWARE WERDEN, SOWEIT GESETZLICH ZULÄSSIG, IN DER „VORLIEGENDEN FORM“ UND MIT „ALLEN FEHLERN UND IRRTÜMERN“ BEREITGESTELLT. HIKMICRO GIBT KEINE GARANTIE, WEDER AUSDRÜCKLICH NOCH STILLSCHWEIGEND, EINSCHLIEßLICH, ABER OHNE DARAUF BESCHRÄNKT ZU SEIN, MARKTGÄNGIGKEIT, ZUFRIEDENSTELLENDEN QUALITÄT ODER EIGNUNG FÜR EINEN BESTIMMTEN ZWECK. DIE NUTZUNG DES PRODUKTS DURCH SIE ERFOLGT AUF IHRE EIGENE GEFAHR. IN KEINEM FALL IST HIKMICRO IHNEN GEGENÜBER HAFTBAR FÜR BESONDERE, ZUFÄLLIGE, DIREKTE ODER INDIREKTE SCHÄDEN, EINSCHLIEßLICH, ABER OHNE DARAUF BESCHRÄNKT ZU SEIN, VERLUST VON GESCHÄFTSGEWINNEN, GESCHÄFTSUNTERBRECHUNG, DATENVERLUST, SYSTEMBESCHÄDIGUNG, VERLUST VON DOKUMENTATIONEN, SEI ES AUFGRUND VON VERTRAGSBRUCH, UNERLAUBTER HANDLUNG (EINSCHLIEßLICH FAHRLÄSSIGKEIT), PRODUKTHAFTUNG ODER ANDERWEITIG, IN VERBINDUNG MIT DER VERWENDUNG DIESES PRODUKTS, SELBST WENN HIKMICRO ÜBER DIE MÖGLICHKEIT DERARTIGER SCHÄDEN ODER VERLUSTE INFORMIERT WAR. SIE ERKENNEN AN, DASS DIE NATUR DES INTERNETS DAMIT VERBUNDENE SICHERHEITSRISIKEN BEINHÄLTET. HIKMICRO ÜBERNIMMT KEINE VERANTWORTUNG FÜR ANORMALEN BETRIEB, DATENVERLUST ODER ANDERE SCHÄDEN, DIE SICH AUS CYBERANGRIFFEN, HACKERANGRIFFEN, VIRUSINFESTION ODER ANDEREN

SICHERHEITSRISIKEN IM INTERNET ERGEBEN. HIKMICRO WIRD JEDOCH BEI BEDARF ZEITNAH TECHNISCHEM SUPPORT LEISTEN.

SIE STIMMEN ZU, DIESES PRODUKT IN ÜBEREINSTIMMUNG MIT ALLEN GELTENDEN GESETZEN ZU VERWENDEN, UND SIE SIND ALLEIN DAFÜR VERANTWORTLICH, DASS IHRE VERWENDUNG GEGEN KEINE GELTENDEN GESETZE VERSTÖßT. INSBESONDERE SIND SIE DAFÜR VERANTWORTLICH, DIESES PRODUKT SO ZU VERWENDEN, DASS DIE RECHTE DRITTER NICHT VERLETZT WERDEN, EINSCHLIEßLICH, ABER NICHT BESCHRÄNKT AUF VERÖFFENTLICHUNGSRECHTE, DIE RECHTE AN GEISTIGEM EIGENTUM ODER DEN DATENSCHUTZ UND ANDERE PERSÖNLICHKEITSRECHTE. SIE DÜRFEN DIESES PRODUKT NICHT FÜR VERBOTENE ENDANWENDUNGEN VERWENDEN, EINSCHLIEßLICH DER ENTWICKLUNG ODER HERSTELLUNG VON MASSENVERNICHTUNGSWAFFEN, DER ENTWICKLUNG ODER HERSTELLUNG CHEMISCHER ODER BIOLOGISCHER WAFFEN, JEGLICHER AKTIVITÄTEN IM ZUSAMMENHANG MIT EINEM NUKLEAREN SPRENGKÖRPER ODER UNSICHEREN NUKLEAREN BRENNSTOFFKREISLAUF BZW. ZUR UNTERSTÜTZUNG VON MENSCHENRECHTSVERLETZUNGEN. IM FALL VON WIDERSPRÜCHEN ZWISCHEN DIESER BEDIENUNGSANLEITUNG UND GELTENDEM RECHT IST LETZTERES MASSGEBLICH.

Behördliche Informationen

Diese Bestimmungen gelten nur für Produkte, die das entsprechende Zeichen oder die entsprechenden Informationen tragen.

Erklärung zur EU-Konformität



Dieses Produkt und - falls zutreffend - auch das mitgelieferte Zubehör sind mit "CE" gekennzeichnet und

entsprechen somit den geltenden harmonisierten europäischen Normen, die unter den Richtlinien 2014/30/EU (EMCD) und 2011/65/EU (RoHS) aufgeführt sind.

Hinweis: Die Produkte mit einer Eingangsspannung von 50 - 1000 VAC oder 75 - 1500 VDC entsprechen der Richtlinie 2014/35/EU (NSR). Die übrigen Produkte entsprechen der Richtlinie 2001/95/EG (GPSD). Prüfen Sie bitte die entsprechenden Angaben zur Stromversorgung.

Warnhinweis: Dies ist ein Produkt der Klasse A. In einer Wohnumgebung kann dieses Produkt Funkstörungen verursachen, die möglicherweise vom Benutzer durch geeignete Maßnahmen zu beseitigen sind.



Richtlinie 2012/19/EU (WEEE-Richtlinie): Produkte, die mit diesem Symbol gekennzeichnet sind, dürfen innerhalb der Europäischen

Union nicht mit dem Hausmüll entsorgt werden. Für korrektes Recycling geben Sie dieses Produkt an Ihren örtlichen Fachhändler zurück oder entsorgen Sie es an einer der Sammelstellen. Weitere Informationen finden Sie unter: www.recyclethis.info.



Richtlinie 2006/66/EG und ihre Änderung 2013/56/EU (Akkurichtlinie): Dieses Produkt enthält einen Akku, der

innerhalb der Europäischen Union nicht mit dem Hausmüll entsorgt werden darf. Siehe Produktdokumentation für spezifische Hinweise zu Akkus oder Batterien. Der Akku ist mit diesem Symbol gekennzeichnet, das zusätzlich die Buchstaben Cd für Cadmium, Pb für Blei oder Hg für Quecksilber enthalten kann. Für korrektes Recycling geben Sie die Akkus/Batterien an Ihren örtlichen Fachhändler zurück oder entsorgen Sie sie an einer der Sammelstellen. Weitere Informationen finden Sie unter: www.recyclethis.info.

INFORMATIONEN FÜR PRIVATE HAUSHALTE

1. Getrennte Erfassung von Altgeräten:

Elektro- und Elektronikgeräte, die zu Abfall geworden sind, werden als Altgeräte bezeichnet. Besitzer von Altgeräten haben diese einer vom unsortierten Siedlungsabfall getrennten Erfassung zuzuführen. Altgeräte gehören insbesondere nicht in den Hausmüll, sondern in spezielle Sammel- und Rückgabesysteme.

2. Batterien und Akkus sowie Lampen:

Besitzer von Altgeräten haben Altbatterien und Altakkumulatoren, die nicht vom Altgerät umschlossen sind, die zerstörungsfrei aus dem Altgerät entnommen werden können, im Regelfall vor der Abgabe an einer Erfassungsstelle vom Altgerät zu trennen. Dies gilt nicht, soweit Altgeräte einer Vorbereitung zur Wiederverwendung unter Beteiligung eines öffentlich-rechtlichen

Entsorgungsträgers zugeführt werden.

3. Möglichkeiten der Rückgabe von Altgeräten:

Besitzer von Altgeräten aus privaten Haushalten können diese bei den Sammelstellen der öffentlich-rechtlichen Entsorgungsträger oder bei den von Herstellern oder Vertriebern im Sinne des ElektroG eingerichteten Rücknahmestellen unentgeltlich abgeben. Rücknahmepflichtig sind Geschäfte mit einer Verkaufsfläche von mindestens 400 m² für Elektro- und Elektronikgeräte sowie diejenigen Lebensmittelgeschäfte mit einer Gesamtverkaufsfläche von mindestens 800 m², die mehrmals pro Jahr oder dauerhaft Elektro- und Elektronikgeräte anbieten und auf dem Markt bereitstellen. Dies gilt auch bei Vertrieb unter Verwendung von Fernkommunikationsmitteln, wenn die Lager- und Versandflächen für Elektro- und Elektronikgeräte mindestens 400 m² betragen oder die gesamten Lager- und Versandflächen mindestens 800 m² betragen. Verreiber haben die Rücknahme grundsätzlich durch geeignete Rückgabemöglichkeiten in zumutbarer Entfernung zum jeweiligen Endnutzer zu gewährleisten. Die Möglichkeit der unentgeltlichen Rückgabe eines Altgerätes besteht bei rücknahmepflichtigen Vertriebern unter anderem dann, wenn ein neues gleichartiges Gerät, das im Wesentlichen die gleichen Funktionen erfüllt, an einen Endnutzer abgegeben wird.

4. Datenschutz-Hinweis:

Altgeräte enthalten häufig sensible personenbezogene Daten. Dies gilt insbesondere für Geräte der Informations- und Telekommunikationstechnik wie Computer und Smartphones. Bitte beachten Sie in Ihrem eigenen Interesse, dass für die Löschung der Daten auf den zu entsorgenden Altgeräten jeder Endnutzer selbst verantwortlich ist.

5. Bedeutung des Symbols „durchgestrichene Mülltonne“:



Das auf Elektro- und Elektronikgeräten regelmäßig abgebildete Symbol einer durchgestrichenen Mülltonne weist darauf hin, dass das jeweilige Gerät am Ende seiner Lebensdauer getrennt vom unsortierten Siedlungsabfall zu erfassen ist.

Sicherheitshinweise

Bitte lesen Sie alle Sicherheitshinweise sorgfältig durch, bevor Sie das Gerät in Betrieb nehmen.

Gesetze und Vorschriften

Bei der Verwendung des Produkts müssen die elektrischen Sicherheitsbestimmungen des Landes oder der Region strikt eingehalten werden.

Transportwesen

- Bewahren Sie das Gerät beim Transport in der ursprünglichen oder einer vergleichbaren Verpackung auf.
- Bewahren Sie das gesamte Verpackungsmaterial nach dem Auspacken für zukünftigen Gebrauch auf. Im Falle eines Fehlers müssen Sie das Gerät

in der Originalverpackung an das Werk zurücksenden. Beim Transport ohne Originalverpackung kann das Gerät beschädigt werden und wir übernehmen keine Verantwortung.

- Lassen Sie das Produkt NICHT fallen und vermeiden Sie heftige Stöße. Halten Sie das Gerät von magnetischen Störungen fern.

Spannungsversorgung

- Erwerben Sie das Ladegerät selbst. Die Eingangsspannung muss einer Stromquelle mit begrenzter Leistung und 12 V DC oder PoE (802.3af) gemäß der Norm IEC62368 entsprechen. Siehe technische Daten für detaillierte Informationen.
- Stellen Sie sicher, dass der Stecker richtig in der Steckdose steckt.
- Die Steckdose sollte sich in der Nähe des Geräts befinden und muss einfach zugänglich sein.
- Verbinden Sie NICHT mehrere Geräte mit einem Netzteil, da es andernfalls durch Überlastung zu einer Überhitzung oder einem Brand kommen kann.
- Berühren Sie NICHT die blanken Metallkontakte der Eingänge, nachdem der Schutzschalter ausgeschaltet wurde. Sie stehen noch unter Strom.
- + kennzeichnet den/die Pluspol(e) von Geräten, die mit Gleichstrom betrieben werden oder Gleichstrom erzeugen. – kennzeichnet den/die Minuspol(e) von Geräten, die mit Gleichstrom betrieben werden oder Gleichstrom erzeugen.

Akku

- Bei Austausch der Batterie durch einen falschen Typ besteht Explosionsgefahr. Entsorgen Sie die verbrauchten Batterien gemäß den Anweisungen.
- Der integrierte Akku darf nicht demontiert werden. Wenden Sie sich gegebenenfalls zur Reparatur an den Hersteller.
- Achten Sie bei langfristiger Lagerung des Akkus darauf, dass er alle sechs Monate vollständig geladen wird, um seine Lebensdauer zu gewährleisten. Anderenfalls kann es zu Schäden kommen.
- Das Gerät ist nicht für den Einsatz an Orten geeignet, an denen sich wahrscheinlich Kinder aufhalten.
- Unsachgemäßer Austausch des Akkus durch einen falschen Typ kann eine Schutzvorrichtung umgehen (z. B. bei einigen Lithium-Batterietypen).
- Batterien nicht durch Verbrennen, in einem heißen Ofen oder Zerkleinern oder Zerschneiden entsorgen. Das kann zu einer Explosion führen.
- Bewahren Sie Batterien nicht in einer Umgebung mit extrem hoher Temperatur auf. Das kann zu einer Explosion oder zum Auslaufen von entflammbarer Flüssigkeit oder Gas führen.
- Setzen Sie Batterien keinem extrem niedrigen Luftdruck aus. Das kann zu einer Explosion oder

zum Auslaufen von entflammbarer Flüssigkeit oder Gas führen.

Zusatzbeleuchtung

- ⚠ Der Lichtstrahl im Abstand von 200 mm wird in die Risikogruppe 2 (RG2) eingestuft. Es wird möglicherweise gefährliche optische Strahlung von diesem Produkt emittiert.
- Schauen Sie während des Betriebs NICHT in die Lichtquelle. Das kann schädlich für die Augen sein.
- Tragen Sie einen geeigneten Augenschutz oder schalten Sie das Zusatzlicht nur in einem sicheren Abstand (2,9 m) oder in dem Bereich ein, der dem Licht nicht direkt ausgesetzt ist, wenn Sie das Gerät installieren oder warten.

Installation

- Stellen Sie das Gerät niemals an einem instabilen Ort auf. Es könnte umfallen und schwere oder sogar tödliche Verletzungen verursachen.
- Dieses Gerät darf nur mit den entsprechenden Halterungen verwendet werden. Die Verwendung anderer Halterungen (Wagen, Ständer oder Träger) kann zu Instabilität führen und Verletzungen verursachen.

Systemsicherheit

- Sie erkennen an, dass die Natur des Internets damit verbundene Sicherheitsrisiken mit sich bringt und dass unser Unternehmen keine Verantwortung für anormale Betriebsabläufe, Datenschutzverletzungen oder andere Schäden übernimmt, die sich durch Cyber- oder Hackerangriffe ergeben. Bei Bedarf wird unser Unternehmen jedoch zeitnahe technische Unterstützung leisten.
- Bitte sorgen Sie für den Schutz der personenbezogenen Daten und die Datensicherheit, da das Gerät Netzwerksicherheitsproblemen ausgesetzt werden kann, wenn es mit dem Internet verbunden ist. Bitte setzen Sie sich mit uns in Verbindung, wenn das Gerät Netzwerksicherheitsrisiken aufweist.
- Bitte nehmen Sie zur Kenntnis, dass Sie die Verantwortung dafür tragen, alle Passwörter und andere Sicherheitseinstellungen für das Gerät zu konfigurieren und Ihren Benutzernamen und Ihr Passwort aufzubewahren.

Wartung


- Falls das Produkt nicht einwandfrei funktionieren sollte, wenden Sie sich an Ihren Händler oder den nächstgelegenen Kundendienst. Wir übernehmen keine Haftung für Probleme, die durch nicht Reparatur- oder Instandhaltungsarbeiten von nicht autorisierten Dritten verursacht werden.
- Einige Gerätekomponenten (z. B. Elektrolytkondensator) müssen regelmäßig ausgetauscht werden. Die durchschnittliche Lebensdauer variiert, weshalb eine regelmäßige Prüfung empfohlen wird. Einzelheiten erfahren Sie von Ihrem Händler.

- Wischen Sie das Gerät bei Bedarf sanft mit einem sauberen Tuch und einer geringen Menge Ethanol ab.
- Wenn das Gerät nicht vom Hersteller vorgegebenem Sinne genutzt wird, kann der durch das Gerät bereitgestellte Schutz beeinträchtigt werden.
- Um die Feuergefahr zu verringern, ersetzen Sie Sicherungen nur durch Sicherungen des gleichen Typs und der gleichen Leistung.
- Die serielle Schnittstelle des Geräts wird nur zur Fehlersuche verwendet.

Einsatzumgebung

- Achten Sie darauf, dass die Betriebsumgebung den Anforderungen des Geräts entspricht. Die Betriebstemperatur muss zwischen -40 °C bis 70 °C und die Luftfeuchtigkeit zwischen 5 % bis 95 % liegen.
- Stellen Sie das Gerät an einem kühlen und gut belüfteten Ort auf.
- Setzen Sie das Gerät KEINER hohen elektromagnetischen Strahlung oder staubigen Umgebungen aus.
- Richten Sie das Objektiv NICHT auf die Sonne oder eine andere helle Lichtquelle.
- Schützen Sie das Gerät vor tropfenden oder spritzenden Flüssigkeiten. Auf dem Gerät dürfen keine mit Flüssigkeit gefüllten Objekte, wie z. B. Vasen, abgestellt werden.
- Stellen Sie keine offenen Flammen (wie brennende Kerzen) auf dem Gerät ab.
- Sorgen Sie für einen Überspannungsschutz an den Eingängen der Anlage bei besonderen

Umgebungsbedingungen wie Berggipfel, Metallturm und Wald.

- Dieses Symbol  weist darauf hin, dass Sie sich beim Umgang mit den Teilen die Finger verbrennen können. Warten Sie nach dem Ausschalten eine halbe Stunde, bevor Sie die Teile anfassen.

Notruf

- Sollten sich Rauch, Gerüche oder Geräusche in dem Gerät entwickeln, so schalten Sie es unverzüglich aus und ziehen Sie den Netzstecker. Wenden Sie sich dann an den Kundendienst.

Anschrift des Herstellers

Raum 313, Einheit B, Gebäude 2, 399
Danfeng-Straße, Gemarkung Xixing, Stadtbezirk
Binjiang, Hangzhou, Zhejiang 310052, China
Hangzhou Microimage Software Co., Ltd.



RECHTLICHER HINWEIS: Die Produkte der Wärmebildkamera-Serie unterliegen unter Umständen in verschiedenen Ländern oder Regionen Exportkontrollen, wie zum Beispiel in den Vereinigten Staaten, der Europäischen Union, dem Vereinigten Königreich und/oder anderen Mitgliedsländern des Wassenaar-Abkommens. Bitte informieren Sie sich bei Ihrem Rechtsexperten oder bei den örtlichen Behörden über die erforderlichen Exportlizenzen, wenn Sie beabsichtigen, die Produkte der Wärmebildkamera-Serie in verschiedene Länder zu transferieren, zu exportieren oder zu reexportieren.











Español

Cable e interfaz

Núm.	Función	Núm.	Función
1	Botón de reinicio	7	Cable de alarma 2
2	Tarjeta de memoria	8	Cable de alarma 1
3	Puerto serie de depuración	9	Cable RS-485
4	Cable CVBS	10	Cable de alimentación CC
5	Entrada de audio	11	Ethernet
6	Salida de audio		

Símbolos y marcas

	Aviso		i. Accesorios solo compatibles con algunos modelos.
---	-------	---	---

			ii. Tipos y cantidades variables. iii. Omita este paso si no fuese necesario.
	Advertencia	microSD 	Tarjeta microSD
	Prohibidas		Conexión a tierra
	Correcto		Eliminación
	Incorrecto		Se vende por separado
	Pase a la página A y continúe.		Otras situaciones

Activar y acceder a la cámara de red

Escanee el código QR para poder **activar y acceder a la cámara de red**. Tenga en cuenta que se pueden aplicar cargos de datos si no se dispone de conexión wifi.



Activar y acceder a la
cámara de red

Restaurar y recuperar la cámara

Pulse este botón durante unos 10 s durante el encendido o reinicio de la cámara para restaurar la configuración predeterminada de fábrica, incluyendo el nombre de usuario, contraseña, dirección IP, n.º de puerto, etc.

Manual de usuario y preguntas frecuentes

Para obtener más instrucciones detalladas, escanee el código QR de abajo y consulte el **manual de usuario**. La función puede variar según el modelo de la cámara. Tome el producto real como referencia.



Cámara Bullet de red biespectral



Cámara Bullet térmica de red



Preguntas frecuentes

Información legal

Descargo de responsabilidad

EN LA MEDIDA MÁXIMA PERMITIDA POR LAS LEYES APLICABLES, ESTE MANUAL Y EL PRODUCTO DESCRITO –INCLUIDOS SU HARDWARE, SOFTWARE Y FIRMWARE– SE SUMINISTRAN «TAL CUAL» Y «CON TODOS SU FALLOS Y ERRORES». HIKMICRO NO OFRECE GARANTÍAS, EXPLÍCITAS O IMPLÍCITAS, INCLUIDAS, A MODO MERAMENTE ENUNCIATIVO MAS NO LIMITATIVO, AQUELLAS DE COMERCIABILIDAD, CALIDAD SATISFACTORIA O IDONEIDAD PARA UN PROPÓSITO EN PARTICULAR. EL USO QUE HAGA DEL PRODUCTO CORRE BAJO SU ÚNICO RIESGO. EN NINGÚN CASO, HIKMICRO PODRÁ CONSIDERARSE RESPONSABLE ANTE USTED DE NINGÚN DAÑO ESPECIAL, CONSECUENTE, INCIDENTAL O INDIRECTO, INCLUYENDO, ENTRE OTROS, DAÑOS POR PÉRDIDAS DE BENEFICIOS COMERCIALES, INTERRUPCIÓN DE LA ACTIVIDAD COMERCIAL, PÉRDIDA DE DATOS, CORRUPCIÓN DE LOS SISTEMAS O PÉRDIDA DE DOCUMENTACIÓN, YA SEA POR INCUMPLIMIENTO DEL CONTRATO, AGRAVIO (INCLUYENDO NEGLIGENCIA), RESPONSABILIDAD DEL PRODUCTO O EN RELACIÓN CON EL USO DEL PRODUCTO, INCLUSO CUANDO HIKMICRO HAYA RECIBIDO UNA NOTIFICACIÓN DE LA POSIBILIDAD DE DICHOS DAÑOS O PÉRDIDAS.

USTED RECONOCE QUE LA NATURALEZA DE INTERNET IMPLICA RIESGOS DE SEGURIDAD INHERENTES Y QUE HIKMICRO NO TENDRÁ NINGUNA RESPONSABILIDAD POR NINGÚN FUNCIONAMIENTO ANORMAL, FILTRACIONES DE PRIVACIDAD U OTROS DAÑOS RESULTANTES DE ATAQUES CIBERNÉTICOS, ATAQUES DE PIRATAS INFORMÁTICOS, INFECCIONES DE VIRUS U OTROS RIESGOS DE SEGURIDAD PROPIOS DE INTERNET; NO OBSTANTE, HIKMICRO PROPORCIONARÁ EL APOYO TÉCNICO OPORTUNO DE SER NECESARIO. USTED ACEPTA USAR ESTE PRODUCTO DE CONFORMIDAD CON TODAS LAS LEYES APLICABLES Y SOLO USTED ES EL ÚNICO RESPONSABLE DE ASEGURAR QUE EL USO CUMPLA CON DICHAS LEYES. EN ESPECIAL, USTED ES RESPONSABLE DE USAR ESTE PRODUCTO DE

FORMA QUE NO INFRINJA LOS DERECHOS DE TERCEROS, INCLUYENDO, A MODO ENUNCIATIVO, DERECHOS DE PUBLICIDAD, DERECHOS DE PROPIEDAD INTELECTUAL, DERECHOS RELATIVOS A LA PROTECCIÓN DE DATOS Y OTROS DERECHOS RELATIVOS A LA PRIVACIDAD. NO UTILIZARÁ ESTE PRODUCTO PARA NINGÚN USO FINAL PROHIBIDO, INCLUYENDO EL DESARROLLO O LA PRODUCCIÓN DE ARMAS DE DESTRUCCIÓN MASIVA, EL DESARROLLO O PRODUCCIÓN DE ARMAS QUÍMICAS O BIOLÓGICAS, NINGUNA ACTIVIDAD EN EL CONTEXTO RELACIONADO CON ALGÚN EXPLOSIVO NUCLEAR O EL CICLO DE COMBUSTIBLE NUCLEAR INSEGURO O EN APOYO DE ABUSOS DE LOS DERECHOS HUMANOS. EN CASO DE HABER CONFLICTO ENTRE ESTE MANUAL Y LA LEGISLACIÓN VIGENTE, ESTA ÚLTIMA PREVALECE.

Información normativa

Estas cláusulas solo se aplican a los productos que lleven la marca o la información correspondiente.

Declaración de cumplimiento de la UE



Este producto y, cuando corresponda, los accesorios incluidos también tienen la marca "CE" y por tanto cumplen los estándares europeos armonizados enumerados bajo la directiva 2014/30/UE (CEM) y la directiva 2011/65/UE (RoHS).

Nota: Los productos con una tensión de entrada de 50 a 1000 VCA o de 75 a 1500 VCC cumplen con la directiva 2014/35/UE (LVD), y el resto de productos cumplen con la directiva 2001/95/CE (GPSD). Consulte la información de alimentación eléctrica específica como referencia.

Advertencia: Este es un producto de clase A. En un entorno doméstico este producto puede ocasionar interferencias radio, en cuyo caso es posible que sea el usuario el responsable de adoptar las medidas adecuadas.



Directiva 2012/19/UE (directiva RAEE): En la Unión Europea, los productos marcados con este símbolo no pueden ser desechados en el sistema de

basura municipal sin recogida selectiva. Para un reciclaje adecuado, entregue este producto en el lugar de compra del equipo nuevo equivalente o deshágase de él en el punto de recogida designado a tal efecto. Para más información visite: www.recyclethis.info.



Directiva 2006/66/CE y su enmienda 2013/56/UE (directiva sobre baterías):

Este producto lleva una batería que no puede ser desechada en el sistema municipal de basuras sin recogida selectiva dentro de la Unión Europea. Consulte la documentación del producto para ver la información específica de la batería. La batería lleva marcado este símbolo, que incluye unas letras indicando si contiene cadmio (Cd), plomo (Pb), o mercurio (Hg). Para un reciclaje adecuado, entregue la batería a su vendedor o llévela al punto de recogida de basuras designado a tal efecto. Para más información visite: www.recyclethis.info.

Información de seguridad

Lea detenidamente toda la información de seguridad antes de usar el dispositivo.

Leyes y normativas

Para usar el producto debe cumplir estrictamente con la normativa de seguridad eléctrica de su país y región.

Transporte

- Guarde el dispositivo en su paquete original o en uno similar cuando lo transporte.
- Guarde el embalaje para uso futuro. En el caso de que ocurra algún fallo, deberá devolver el dispositivo a la fábrica con el envoltorio original. En caso de transporte sin el envoltorio original podría resultar en daños en el dispositivo y la empresa no se hará responsable.
- No deje caer el producto ni lo someta a impactos físicos. Mantenga el dispositivo alejado de interferencias magnéticas.

Fuente de alimentación

- Debe adquirir el cargador por su cuenta. La tensión de entrada debe cumplir con los requisitos de fuente de alimentación de potencia limitada (12 V CC) o PoE (802.3af) de conformidad con la norma IEC62368. Consulte las especificaciones técnicas para obtener información detallada.
- Asegúrese de que el enchufe esté correctamente conectado a la toma de corriente.
- La toma de corriente tiene que estar cerca del equipo y ser de fácil acceso.
- NO conecte múltiples dispositivos a un mismo adaptador de corriente, para evitar el sobrecalentamiento y los riesgos de incendio por sobrecarga.
- NO toque los contactos metálicos desnudos de las entradas después de que se apague el disyuntor. Todavía tienen electricidad.

- + identifica los terminales positivos de los equipos que se utilizan con corriente continua o que la generan. - identifica los terminales negativos de los equipos que se utilizan con corriente continua o que la generan.

Batería

- Riesgo de explosión si se reemplaza la batería por otra de tipo incorrecto. Deshágase de las baterías usadas conforme a las instrucciones.
- La batería integrada no puede ser desmontada. Póngase en contacto con el fabricante para solicitar las reparaciones necesarias.
- Para almacenar la batería durante un periodo prolongado, compruebe que esté completamente cargada cada medio año para garantizar la calidad de la misma. De lo contrario, podrían ocurrir daños.
- Este equipo no es adecuado para utilizarlo en lugares donde pueda haber niños.
- Una sustitución inadecuada de la batería por otra de tipo incorrecto podría inhabilitar alguna medida de protección (por ejemplo, en el caso de algunas baterías de litio).
- No arroje la batería al fuego ni la meta en un horno caliente, ni intente aplastar o cortar mecánicamente la batería, ya que podría explotar.
- No deje la batería en lugares con temperaturas extremadamente altas, ya que podría explotar o tener fugas de líquido electrolítico o gas inflamable.
- No permita que la batería quede expuesta a una presión de aire extremadamente baja, ya que podría explotar o tener fugas de líquido electrolítico o gas inflamable.

Luz complementaria

- ⚠ El haz de luz a una distancia de 200 mm se clasifica como grupo de riesgo 2 (RG2). Este equipo puede emitir radiaciones ópticas peligrosas.
- NO mire directamente a la fuente de luz en funcionamiento. Podría dañar sus ojos.
- Lleve protección visual apropiada o encienda la luz complementaria solo a una distancia segura (2,9 m) o en un área que no esté expuesta directamente a la luz al instalar el equipo o al realizar tareas de mantenimiento.

Instalación

- No coloque nunca el equipo en una ubicación inestable. El equipo podría caer y provocar graves lesiones o la muerte.
- Este equipo está diseñado para usarse solo con los soportes correspondientes. Su uso con otro tipo de soporte (carros, estantes o transportadores) podría ser inestable y ocasionar lesiones.

Seguridad del sistema

- Usted reconoce que la naturaleza de internet entraña riesgos de seguridad y que nuestra empresa no está obligada a asumir ninguna responsabilidad debido a un funcionamiento

anómalo, una vulneración de la privacidad o cualquier otro daño resultante de un ciberataque o un ataque por parte de piratas informáticos; no obstante, nuestra empresa proporcionará la asistencia técnica necesaria de forma oportuna si fuera necesario.


- Garantice la protección de la información personal y la seguridad de datos, ya que el dispositivo puede encontrar problemas de seguridad cuando esté conectado a internet. Póngase en contacto con nosotros si se compromete la seguridad en la red del dispositivo.
- Recuerde que es su responsabilidad instalar las contraseñas y las demás configuraciones de seguridad del dispositivo. Proteja su nombre de usuario y contraseña.

Mantenimiento

- Si el producto no funciona correctamente, por favor, póngase en contacto con su distribuidor o con el centro de servicio técnico más próximo. No nos haremos responsables de los problemas derivados de una reparación o mantenimiento no autorizados.
- Algunos componentes del dispositivo (p. ej.: el condensador electrolítico) necesita una sustitución periódica. La vida útil promedio puede variar, por lo que se recomienda una revisión periódica. Contacte con su vendedor para más detalles.
- Limpie suavemente el dispositivo con una gamuza limpia con una pequeña cantidad de etanol, si fuese necesario.
- Si se utiliza el equipo de una manera no especificada por el fabricante, la protección del dispositivo podría verse mermada.
- Para reducir el riesgo de incendio, reemplace el fusible por otro del mismo tipo y clasificación.
- El puerto serie del equipo se utiliza únicamente con fines de depuración.

Entorno de uso

- Compruebe que el entorno de uso se adapte a los requisitos del dispositivo. La temperatura de funcionamiento será de -40 °C a 70 °C y la humedad será de 5 % a 95 %.

- Coloque el dispositivo en un entorno seco y con buena ventilación.
- NO exponga el dispositivo a radiaciones electromagnéticas o entornos polvorientos.
- NO oriente la lente hacia el sol ni a otras luces brillantes.
- No se expondrá el equipo a goteos ni salpicaduras y no se colocarán sobre él objetos llenos de líquidos, como jarrones.
- No coloque llamas abiertas, como velas encendidas, sobre el equipo.
- En ubicaciones especiales, como en la cima de una montaña, en una torre de hierro y en un bosque, instale un supresor de sobretensiones en la abertura de entrada del equipo.
- Dedos quemados al manipular las piezas con el símbolo . Espere media hora después de apagar el equipo para tocar las partes.

Emergencia

- Si hay presencia de humo, olores o ruidos procedentes del dispositivo, apague la alimentación inmediatamente, desenchufe el cable de alimentación y contacte con el servicio técnico.

Dirección de fabricación

Habitación 313, Unidad B, Edificio 2, Carretera de Danfeng 399, Subdistrito de Xixing, Distrito de Binjiang, Hangzhou, Zhejiang 310052, China
Hangzhou Microimage Software Co., Ltd.

AVISO DE CONFORMIDAD: Los productos de las series térmicas podrían estar sujetos a controles de exportación en algunos países o regiones; entre ellos, por ejemplo, los Estados Unidos, la Unión Europea, el Reino Unido y/o otros países miembros del Arreglo de Wassenaar. Consulte con algún experto en cumplimiento normativo y legal o con las autoridades gubernamentales locales para cumplir con los requisitos de licencia de exportación necesarios si desea transferir, exportar o reexportar los productos de las series térmicas entre distintos países.



Italiano

Cavo e interfaccia

N.	Funzione	N.	Funzione
1	Pulsante di ripristino	7	Cavo di allarme 2
2	Scheda di memoria	8	Cavo di allarme 1
3	Porta seriale per il debug	9	Cavo RS-485

N.	Funzione	N.	Funzione
4	Cavo CVBS	10	Cavo di alimentazione CC
5	Ingresso audio	11	Ethernet
6	Uscita audio		

Simboli e segni

	Informativa		i. Accessori applicabili solo ad alcuni modelli. ii. Tipi e quantità variabili. iii. Se questo passaggio non è necessario è possibile ignorarlo.
	Avvertenza	microSD 	Scheda MicroSD
	Non consentito		Massa
	Corretto		Smaltimento
	Non corretto		Acquistabile separatamente
	Passare alla pagina A e continuare.		Altre situazioni

Attivazione e accesso alla telecamera di rete

Scansionare il codice QR per **attivare e accedere alla telecamera di rete**. Se la connessione Wi-Fi non è disponibile potranno essere addebitate le tariffe del proprio piano dati.



Attivazione e accesso alla
telecamera di rete

Reimpostazione e ripristino della telecamera

Tenere premuto il pulsante di reset per circa 10 secondi mentre la telecamera si accende o si riavvia per ripristinare le impostazioni predefinite, come nome utente, password, indirizzo IP, numero di porta e così via.

Manuale dell'utente e domande frequenti

Per istruzioni più dettagliate, scansionare il codice QR qui sotto e consultare il **Manuale dell'utente**. Le funzioni possono variare a seconda del modello della telecamera. Fare riferimento al prodotto reale.



Termocamera di rete bullet
a doppio spettro



Termocamera di rete
bullet



FAQ (domande
frequenti)

Informazioni legali

Esclusione di responsabilità

NELLA MISURA MASSIMA CONSENTITA DALLA LEGGE VIGENTE, QUESTO MANUALE E IL PRODOTTO DESCRITTO, CON IL SUO HARDWARE, SOFTWARE E FIRMWARE, SONO FORNITI "COSÌ COME SONO" E "CON TUTTI I DIFETTI E GLI ERRORI". HIKMICRO NON RILASCIA ALCUNA GARANZIA, NÉ ESPRESSA NÉ IMPLICITA COME, SOLO A TITOLO DI ESEMPIO, GARANZIE DI COMMERCIALIZZABILITÀ, QUALITÀ SODDISFACENTE O IDONEITÀ PER UN USO SPECIFICO. L'UTENTE UTILIZZA IL PRODOTTO A PROPRIO RISCHIO. HIKMICRO DECLINA QUALSIASI RESPONSABILITÀ VERSO L'UTENTE IN RELAZIONE A DANNI SPECIALI, CONSEGUENZIALI E INCIDENTALI, COMPRESI, TRA GLI ALTRI, I DANNI DERIVANTI DA MANCATO PROFITTO, INTERRUZIONE DELL'ATTIVITÀ O PERDITA DI DATI, DANNEGGIAMENTO DI SISTEMI O PERDITA DI

DOCUMENTAZIONE, DERIVANTI DA INADEMPIENZA CONTRATTUALE, ILLECITO (COMPRESA LA NEGLIGENZA), RESPONSABILITÀ PER DANNI AI PRODOTTI O ALTRIMENTI IN RELAZIONE ALL'USO DEL PRODOTTO, ANCHE QUALORA HIKMICRO SIA STATA INFORMATA DELLA POSSIBILITÀ DI TALI DANNI O PERDITE.

L'UTENTE RICONOSCE CHE LA NATURA DI INTERNET PREVEDE RISCHI DI SICUREZZA INTRINSECI E CHE HIKMICRO DECLINA QUALSIASI RESPONSABILITÀ IN RELAZIONE A FUNZIONAMENTI ANOMALI, VIOLAZIONE DELLA RISERVATEZZA O ALTRI DANNI RISULTANTI DA ATTACCHI INFORMATICI, INFEZIONE DA VIRUS O ALTRI RISCHI LEGATI ALLA SICUREZZA SU INTERNET; TUTTAVIA, HIKMICRO FORNIRÀ TEMPESTIVO SUPPORTO TECNICO, SE NECESSARIO.

L'UTENTE ACCETTA DI UTILIZZARE IL PRODOTTO IN CONFORMITÀ A TUTTE LE LEGGI VIGENTI E DI ESSERE IL SOLO RESPONSABILE DI TALE UTILIZZO CONFORME. IN PARTICOLARE, L'UTENTE È RESPONSABILE DEL FATTO CHE L'UTILIZZO DEL PRODOTTO NON VIOLI DIRITTI DI TERZI COME, SOLO A TITOLO DI ESEMPIO, DIRITTI DI PUBBLICITÀ, DIRITTI DI PROPRIETÀ INTELLETTUALE O DIRITTI RELATIVI ALLA PROTEZIONE DEI DATI E ALTRI DIRITTI RIGUARDANTI LA PRIVACY. NON È CONSENTITO UTILIZZARE QUESTO PRODOTTO PER SCOPI PROIBITI, COME, TRA GLI ALTRI, LA PRODUZIONE DI ARMI DI DISTRUZIONE DI MASSA, LO SVILUPPO O LA PRODUZIONE DI ARMI CHIMICHE O BIOLOGICHE, QUALSIASI ATTIVITÀ SVOLTA IN CONTESTI CORRELATI A ESPLOSIVI NUCLEARI O COMBUSTIBILI NUCLEARI NON SICURI O ATTIVITÀ CHE CAUSINO VIOLAZIONI DEI DIRITTI UMANI.

IN CASO DI CONFLITTO TRA IL PRESENTE MANUALE E LA LEGGE VIGENTE, PREVARRÀ QUEST'ULTIMA.

Informazioni sulle norme

Queste clausole si applicano solo ai prodotti recanti il marchio o le informazioni corrispondenti.

Dichiarazione di conformità UE



Il presente prodotto e gli eventuali accessori in dotazione sono contrassegnati con il marchio "CE" e sono quindi conformi alle norme europee armonizzate vigenti di cui alla direttiva 2014/30/UE (CEM) e alla direttiva 2011/65/UE (RoHS).

Nota: I prodotti con una tensione in ingresso compresa tra 50 e 1.000 V CA o tra 75 e 1.500 V CC sono conformi alla direttiva 2014/35/UE (direttiva Bassa Tensione); gli altri prodotti sono conformi alla direttiva 2001/95/CE (relativa alla sicurezza generale dei prodotti). Fare riferimento alle informazioni specifiche sull'alimentazione.

Avvertenza: Il presente prodotto è un dispositivo di Classe A. Il prodotto può causare interferenze radio in ambienti residenziali; in tal caso l'utente dovrà adottare contromisure adeguate.



Direttiva 2012/19/UE (RAEE): i prodotti contrassegnati con il presente simbolo non possono essere smaltiti come rifiuti domestici indifferenziati

nell'Unione europea. Per lo smaltimento corretto, restituire il prodotto al rivenditore in occasione dell'acquisto di un nuovo dispositivo o smaltirlo nei punti di raccolta autorizzati. Ulteriori informazioni sono disponibili sul sito: www.recyclethis.info.



Direttiva 2006/66/CE, modificata dalla direttiva 2013/56/UE (direttiva batterie): questo prodotto contiene una batteria e non è possibile smaltirlo con i rifiuti domestici indifferenziati nell'Unione europea. Consultare la

documentazione del prodotto per le informazioni specifiche sulla batteria. La batteria è contrassegnata con il presente simbolo, che potrebbe includere le sigle di cadmio (Cd), piombo (Pb) o mercurio (Hg). Per lo smaltimento corretto, restituire la batteria al rivenditore locale o smaltirla nei punti di raccolta autorizzati. Ulteriori informazioni sono disponibili sul sito: www.recyclethis.info.

Informazioni di sicurezza

Leggere accuratamente le informazioni di sicurezza prima dell'uso.

Leggi e regolamenti

Durante l'uso del prodotto è indispensabile rispettare rigorosamente le normative nazionali e locali sulla sicurezza elettrica.

Trasporto

- Per trasportare il dispositivo, riporlo nella confezione originale o in una analoga.
- Dopo aver disimballato il prodotto, conservare tutto il materiale di imballaggio per riutilizzarlo in futuro. In caso di guasti, sarà necessario inviare il dispositivo al produttore nell'imballaggio originale. Il trasporto senza l'imballaggio originale può causare danni al dispositivo; in tal caso il produttore declina ogni responsabilità.
- NON lasciar cadere il prodotto e non sottoporlo a impatti. Tenere il dispositivo lontano dalle interferenze magnetiche.

Alimentazione

- Acquistare l'alimentatore separatamente. La tensione in ingresso deve essere conforme alle condizioni per le fonti di alimentazione limitate a 12 VCC, o PoE (802.3af), ai sensi della norma IEC62368. Per informazioni dettagliate, consultare le specifiche tecniche.
- Verificare che la spina sia correttamente inserita nella presa di corrente.
- La presa deve essere nelle vicinanze del dispositivo ed essere facilmente accessibile.
- NON collegare più dispositivi allo stesso alimentatore per evitare rischi di surriscaldamento o di incendio da sovraccarico.
- NON toccare i contatti metallici scoperti degli ingressi nemmeno dopo aver aperto l'interruttore automatico. L'elettricità residua è pericolosa.
- Il simbolo + indica il terminale positivo dell'apparecchiatura alimentata o che genera corrente continua. Il simbolo - indica il terminale negativo dell'apparecchiatura alimentata o che genera corrente continua.


Batteria

- Esiste il rischio di esplosione se la batteria viene sostituita con una di tipo non corretto. Smaltire le batterie usate seguendo le istruzioni.
- La batteria integrata non può essere smontata. Per eventuali riparazioni, rivolgersi al produttore.
- Se la batteria rimane inutilizzata per lunghi periodi, caricarla completamente ogni sei mesi per

garantire una lunga durata. In caso contrario potrebbe subire danni.

- Non utilizzare il dispositivo in ambienti in cui possono essere presenti bambini.
- La sostituzione della batteria con una di tipo non idoneo può impedire il corretto funzionamento dei sistemi di sicurezza (ad esempio con alcuni tipi di batterie al litio).
- Non gettare le batterie nel fuoco o in un forno caldo ed evitare di schiacciarle o tagliarle, per prevenire il rischio di esplosioni.
- NON lasciare le batterie in ambienti con temperature estremamente alte, perché possono esplodere o perdere liquidi o gas infiammabili.
- NON sottoporre le batterie a una pressione atmosferica estremamente bassa, perché possono esplodere o perdere liquidi o gas infiammabili.

Luce supplementare

-  Il raggio di luce alla distanza di 200 mm è classificato come Gruppo di rischio 2 (RG2). Il prodotto può emettere radiazioni ottiche pericolose.
- NON fissare la sorgente luminosa mentre è accesa. Può essere pericolosa per gli occhi.
- Durante l'installazione o la manutenzione del dispositivo, indossare occhiali protettivi adeguati o accendere la luce supplementare solo a distanza di sicurezza (2,9 m) oppure in un'area che non sia esposta direttamente alla luce.

Installazione

- Non posizionare mai l'apparecchio in una posizione instabile. L'apparecchio potrebbe cadere, causando lesioni personali gravi e anche mortali.
- La presente attrezzatura deve essere usata solo con le staffe adeguate. L'uso con altri componenti (carrelli, sostegni o contenitori) potrebbe causare l'instabilità dell'apparecchio e il rischio di lesioni personali.


Sicurezza del sistema

- L'utente riconosce che la natura di Internet comporta rischi intrinseci per la sicurezza e che la nostra azienda declina qualsiasi responsabilità in relazione a funzionamenti anomali, violazione della riservatezza o altri danni risultanti da attacchi informatici o attacchi di hacker; tuttavia, la nostra azienda fornirà tempestivo supporto tecnico, se necessario.
- Adottare le misure opportune per proteggere i dati personali e garantire la propria sicurezza poiché il dispositivo potrebbe essere esposto a rischi relativi alla sicurezza, quando è connesso a Internet. Vi invitiamo a contattarci qualora il dispositivo dovesse essere soggetto a rischi per la sicurezza della rete.
- L'utente ha la responsabilità di configurare tutte le password e le altre impostazioni di sicurezza relative al dispositivo e di conservare nome utente e password in modo sicuro.

Manutenzione

- Se il prodotto non funziona correttamente, rivolgersi al rivenditore o al centro di assistenza più vicino. Decliniamo qualsiasi responsabilità in relazione a problemi causati da interventi di riparazione o manutenzione non autorizzati.
- Alcuni componenti (ad esempio, il condensatore elettrolitico) devono essere sostituiti periodicamente. La durata media di questi elementi è variabile, quindi devono essere controllati regolarmente. Contattare il rivenditore per i dettagli.
- Se necessario, pulire delicatamente il dispositivo con un panno pulito imbevuto di una piccola quantità di alcool etilico.
- Se il dispositivo viene utilizzato in un modo non approvato dal produttore la garanzia potrebbe essere annullata.
- Per ridurre il rischio di incendi, sostituire i fusibili solo con altri dello stesso tipo e dello stesso valore nominale.
- La porta seriale del dispositivo serve solo per attività di debugging.

Ambiente di utilizzo

- Verificare che l'ambiente di utilizzo sia conforme ai requisiti del dispositivo. La temperatura operativa deve essere compresa tra -40 °C e 70 °C (tra -40 °F e 158 °F); l'umidità deve essere compresa tra il 5% e il 95%.
- Collocare il dispositivo in un ambiente asciutto e ben ventilato.
- NON esporre il dispositivo a radiazioni elettromagnetiche intense o ad ambienti polverosi.
- NON orientare l'obiettivo verso il sole o altre luci intense.
- L'attrezzatura non deve essere esposta a schizzi o gocciolamenti di liquidi; non poggiare sull'attrezzatura oggetti contenenti liquidi, ad esempio vasi.
- Non collocare sull'attrezzatura sorgenti di fiamme libere, come candele accese.
- Predisporre un soppressore di sovratensione all'apertura di ingresso dell'attrezzatura in condizioni particolari come vette di montagne, tralicci metallici o foreste.
- Esiste il rischio di ustioni alle dita quando si maneggiano componenti con il simbolo . Attendere mezz'ora dallo spegnimento prima di toccare gli elementi del dispositivo.

Emergenza

- Se il dispositivo emette fumo, odori o rumori, spegnerlo immediatamente e scollegare il cavo di alimentazione, quindi rivolgersi a un centro di assistenza.

Indirizzo del produttore

Stanza 313, unità B, edificio 2, via Danfeng 399, subdistretto Xixing, distretto Binjiang, Hangzhou, Zhejiang, 310052, Cina

AVVISO SULLA CONFORMITÀ: I prodotti termografici potrebbero essere soggetti a controlli sulle esportazioni in vari Paesi o regioni, tra cui Stati Uniti, Unione europea, Regno Unito e/o altri Paesi













membri dell'accordo di Wassenaar. Consultare un legale o un esperto di conformità o le autorità governative locali per eventuali requisiti di licenza di esportazione necessari se si intende trasferire, esportare, riesportare i prodotti termografici tra diversi Paesi.

Português

Cabo e Interface

N.º	Função	N.º	Função
1	Botão de reinicialização	7	Cabo de alarme 2
2	Cartão de memória	8	Cabo de alarme 1
3	Porta série de depuração	9	Cabo RS-485
4	Cabo CVBS	10	Cabo de alimentação CC
5	Entrada de áudio	11	Ethernet
6	Saída de áudio		

Símbolos e sinais

	Aviso		i. Os acessórios são aplicáveis apenas a alguns modelos. ii. Tipos e quantidades variáveis. iii. Ignore este passo se não for necessário.
	Aviso		Cartão MicroSD
	Proibido		Ligação à terra
	Correto		Eliminação
	Incorreto		Compre separadamente
	Vire a página A e continue.		Outras situações

Ativar ou aceder à câmara de rede

Leia o código QR para obter as opções de **Ativar e Aceder à câmara de rede**. Tenha em conta que, se o Wi-Fi não estiver disponível, podem ser aplicadas taxas relacionadas com dados móveis.



Ativar ou aceder à câmara
de rede

Repor e restaurar a câmara

Prima o botão de reposição durante cerca de 10 s, quando a câmara está a ligar ou a reiniciar, para repor as predefinições, incluindo o nome de utilizador, a palavra-passe, o endereço IP, o número da porta, etc.

Manual do Utilizador e perguntas frequentes ("FAQ")

Para obter instruções mais detalhadas, leia o código QR abaixo para consultar o **Manual do Utilizador**. As funções podem variar de acordo com os diferentes modelos de câmaras. Tome o produto real como referência.



Câmara bullet de rede
bi-espetro



Câmara Bullet de
Rede Térmica



Perguntas frequentes

Informação legal

Aviso legal

NA MEDIDA MÁXIMA PERMITIDA PELA LEI APLICÁVEL, ESTE MANUAL E O PRODUTO DESCRITO, COM O SEU HARDWARE, SOFTWARE E FIRMWARE, SÃO FORNECIDOS "TAL COMO ESTÃO" E "COM TODAS AS SUAS FALHAS E ERROS". A HIKMICRO NÃO APRESENTA QUAISQUER GARANTIAS, EXPRESSAS OU IMPLÍCITAS, INCLUINDO, SEM QUAISQUER LIMITAÇÕES, GARANTIAS DE COMERCIALIZAÇÃO, QUALIDADE SATISFATÓRIA OU ADEQUAÇÃO A UM

DETERMINADO FIM. A SUA UTILIZAÇÃO DESTES PRODUTOS É FEITA POR SUA CONTA E RISCO. EM NENHUMA CIRCUNSTÂNCIA, A HIKMICRO SERÁ RESPONSÁVEL POR SI EM RELAÇÃO A QUAISQUER DANOS ESPECIAIS, CONSEQUENCIAIS, INCIDENTAIS OU INDIRETOS, INCLUINDO, ENTRE OUTROS, DANOS PELA PERDA DE LUCROS COMERCIAIS, INTERRUPÇÃO DA ATIVIDADE, PERDA DE DADOS, CORRUPÇÃO DE SISTEMAS OU PERDA DE DOCUMENTAÇÃO SEJA COM BASE NUMA VIOLAÇÃO DO CONTRATO, ATOS ILÍCITOS (INCLUÍDO NEGLIGÊNCIA), RESPONSABILIDADE

PELO PRODUTO OU, DE OUTRO MODO, RELACIONADA COM A UTILIZAÇÃO DO PRODUTO, AINDA QUE A HIKMICRO TENHA SIDO AVISADA SOBRE A POSSIBILIDADE DE TAIS DANOS OU PERDAS.

O UTILIZADOR RECONHECE QUE A NATUREZA DA INTERNET OFERECE RISCOS DE SEGURANÇA INERENTES E QUE A HIKMICRO NÃO SERÁ RESPONSABILIZADA POR UM FUNCIONAMENTO ANORMAL, PERDA DE PRIVACIDADE OU OUTROS DANOS RESULTANTES DE ATAQUES INFORMÁTICOS, ATAQUES DE PIRATARIA, INFEÇÃO POR VÍRUS OU OUTROS RISCOS ASSOCIADOS À SEGURANÇA DA INTERNET. NO ENTANTO, A HIKMICRO PRESTARÁ APOIO TÉCNICO ATEMPADO, SE SOLICITADO.

O UTILIZADOR ACEITA UTILIZAR ESTE PRODUTO EM CONFORMIDADE COM TODAS AS LEIS APLICÁVEIS E SER O ÚNICO RESPONSÁVEL POR GARANTIR QUE A SUA UTILIZAÇÃO É CONFORME À LEI APLICÁVEL. PARTICULARMENTE, O UTILIZADOR É O RESPONSÁVEL PELA UTILIZAÇÃO DESTE PRODUTO DE MODO QUE NÃO INFRINJA OS DIREITOS DE TERCEIROS, INCLUINDO, ENTRE OUTROS, OS DIREITOS DE PUBLICIDADE, DIREITOS DE PROPRIEDADE INTELECTUAL OU DE PROTEÇÃO DE DADOS, OU QUAISQUER OUTROS DIREITOS DE PRIVACIDADE. O UTILIZADOR NÃO PODERÁ UTILIZAR ESTE PRODUTO PARA QUAISQUER UTILIZAÇÕES FINAIS PROIBIDAS, INCLUINDO O DESENVOLVIMENTO OU PRODUÇÃO DE ARMAS DE DESTRUIÇÃO MACIÇA, DESENVOLVIMENTO OU PRODUÇÃO DE QUÍMICOS OU ARMAS BIOLÓGICAS, QUAISQUER ATIVIDADES DESENVOLVIDAS NO ÂMBITO DE EXPLOSIVOS NUCLEARES OU CICLOS DE COMBUSTÍVEL NUCLEAR INSEGURO OU PARA APOIAR ABUSOS AOS DIREITOS HUMANOS. NA EVENTUALIDADE DA OCORRÊNCIA DE ALGUM CONFLITO ENTRE ESTE MANUAL E A LEGISLAÇÃO APLICÁVEL, ESTA ÚLTIMA PREVALECE.

Informações sobre as normas reguladoras

As presentes cláusulas aplicam-se apenas aos produtos que apresentam a marcação ou informação correspondentes.

Declaração de conformidade da UE



Este produto e, se aplicável, os acessórios fornecidos com o mesmo, têm a marcação "CE" e estão, por isso,

em conformidade com os padrões europeus aplicáveis, indicados na diretiva 2014/30/UE (CEM) e na diretiva 2011/65/UE (RSP).

Nota: Os produtos com uma tensão de entrada situada entre 50 e 1000 V CA ou entre 75 e 1500 V CC estão em conformidade com a diretiva 2014/35/UE (LVD) e os restantes produtos estão em conformidade com a diretiva 2001/95/CE (GPSD). Verifique a informação da fonte de alimentação específica para referência.

Advertência: Este é um produto de classe A. Num

ambiente doméstico, este produto poderá causar interferências radioelétricas; nesse caso, pode ser necessário que o utilizador tome as medidas adequadas.



Diretiva 2012/19/UE (diretiva REEE): Os produtos com este símbolo não podem ser eliminados como resíduos urbanos indiferenciados na União Europeia. Para

uma reciclagem adequada, devolva este produto ao seu fornecedor local quando adquirir um novo equipamento equivalente ou elimine-o através dos pontos de recolha adequados. Para mais informações, consulte: www.recyclethis.info.



Diretiva 2006/66/CE e respetiva alteração 2013/56/UE (diretiva relativa às pilhas e baterias): Este produto

contém uma bateria que não pode ser eliminada como resíduo urbano indiferenciado na União Europeia. Consulte a documentação do produto para obter informações específicas acerca da bateria. A bateria está marcada com este símbolo, que poderá incluir inscrições para indicar a presença de cádmio (Cd), chumbo (Pb), ou mercúrio (Hg). Para reciclar o produto de forma adequada, devolva a bateria ao seu fornecedor ou coloque-a num ponto de recolha apropriado. Para mais informações, consulte: www.recyclethis.info.

Informações relacionadas com a segurança

Antes da utilização, leia atentamente todas as informações relacionadas com a segurança.

Legislação e regulamentos

Durante a utilização do produto, o utilizador tem de estar em estrita conformidade com as normas de segurança elétrica do país e região.

Transporte

- Mantenha o dispositivo na embalagem original ou similar, quando o transportar.
- Depois da abertura da embalagem do produto, guarde todos invólucros, para uso posterior. Em caso de qualquer avaria, deve devolver o dispositivo à fábrica com o invólucro original. O transporte sem o invólucro original pode resultar em danos no dispositivo, sendo que a empresa não assumirá quaisquer responsabilidades.
- NÃO deixe o produto cair, nem o sujeite a impactos físicos. Mantenha o dispositivo longe de interferências magnéticas.

Alimentação elétrica


- A compra do carregador fica por sua conta. A tensão de entrada deve ir ao encontro da Fonte de Alimentação Limitada com 12 V CC ou PoE (802.3af), de acordo com a norma IEC62368. Consulte as especificações técnicas para obter informações detalhadas.
- Certifique-se de que a ficha está devidamente ligada à tomada.
- A tomada deverá estar instalada perto do equipamento e ser facilmente acessível.

- NÃO ligue vários dispositivos a um adaptador de energia, para evitar o superaquecimento e riscos de incêndio provocados por sobrecarga.
- NÃO toque nos contactos metálicos expostos das entradas depois de desligar o disjuntor. Ainda existe condução de eletricidade.
- + identifica o terminal positivo do equipamento com o qual é utilizada ou gera corrente direta. - identifica o terminal negativo do equipamento com o qual é utilizada ou gera corrente direta.

Bateria

- Existe risco de explosão se a bateria for substituída por outra de tipo incorreto. Elimine pilhas/baterias usadas de acordo com as instruções.
- A bateria integrada não pode ser desmontada. Contacte o fabricante caso necessite de uma reparação.
- Em caso de armazenamento prolongado da bateria, certifique-se de que esta é totalmente carregada de 6 em 6 meses, garantindo, assim, a sua qualidade. Caso contrário, poderão ocorrer danos.
- Este equipamento não se adequa a utilização em locais onde a presença de crianças seja provável.
- A substituição incorreta da bateria por outra de tipo incorreto pode destruir uma proteção (por exemplo, no caso de alguns tipos de bateria de lítio).
- Não proceda à eliminação da bateria numa fogueira ou forno quente, ou mediante esmagamento ou corte mecânico da mesma pois tal pode resultar numa explosão.
- Não deixe a bateria num ambiente com temperaturas extremamente elevadas pois tal pode resultar numa explosão ou na fuga de líquido inflamável ou gás.
- Não sujeite a bateria a pressão de ar extremamente baixa pois tal poderá resultar numa explosão de líquido inflamável ou gás.

Luz suplementar

-  O feixe de luz à distância de 200 mm é classificado como Grupo de Risco 2 (GR2). Este produto emite radiação ótica potencialmente perigosa.
- NÃO fixe o olhar na fonte de luz em funcionamento. Pode ser prejudicial aos olhos.
- Utilize proteção ocular adequada ou ligue a luz suplementar apenas a uma distância segura (2,9 m) ou na área que não esteja exposta diretamente à luz quando estiver a instalar ou a fazer a manutenção do dispositivo.

Instalação

- Nunca coloque o equipamento num local instável. O equipamento pode cair e causar lesões corporais graves ou morte.
- Este equipamento destina-se a ser utilizado apenas com os suportes correspondentes. A utilização com outros tipos de suporte (carrinhos,

bancadas ou carrinhos de transporte) pode resultar em instabilidade e causar ferimentos.

Segurança do sistema


- O utilizador reconhece que a natureza da Internet comporta riscos de segurança inerentes e que a nossa empresa não será responsabilizada pelo funcionamento anormal, perda de privacidade ou outros danos resultantes de ataques informáticos ou ataques de pirataria. No entanto, a nossa empresa prestará apoio técnico atempado, se solicitado.
- Por favor, cumpra os requisitos de proteção de informações pessoais e de segurança de dados, uma vez que o dispositivo pode enfrentar problemas de segurança ao estar ligado à internet. Por favor, contacte-nos quando achar que o dispositivo possa estar exposto a riscos de segurança por estar ligado à rede.
- Por favor, tenha em consideração que a configuração das palavras-passe e de outras definições de segurança do dispositivo são da sua responsabilidade, assim como o guardar do seu nome de utilizador e da sua palavra-passe.

Manutenção

- Se o produto não funcionar corretamente, contacte o seu fornecedor ou o seu centro de assistência mais próximo. Não assumimos qualquer responsabilidade por problemas causados por reparações ou manutenções não autorizadas.
- Alguns componentes do dispositivo (por exemplo, condensador eletrolítico) necessita de substituição regular. A duração média varia, portanto, recomenda-se verificação periódica. Entre em contacto com o respetivo revendedor para obter detalhes.
- Limpe o dispositivo suavemente com um pano limpo e uma pequena quantidade de etanol, se necessário.
- Se o equipamento for utilizado de uma forma não especificada pelo fabricante, a proteção providenciada pelo dispositivo poderá ser afetada.
- Para reduzir o risco de incêndio, o fusível deve ser substituído apenas por outro do mesmo tipo e com a mesma potência.
- A porta série do equipamento é utilizada apenas para a depuração.

Ambiente da utilização

- Certifique-se de que o ambiente de funcionamento do dispositivo cumpre os requisitos do mesmo. A temperatura de funcionamento deve estar entre os -40 °C e os 70 °C e a humidade deve estar entre 5% e 95%.
- Coloque o dispositivo num ambiente seco e bem ventilado.
- NÃO exponha o dispositivo a radiação eletromagnética elevada nem a ambientes com pó.

- NÃO direcione a lente para o sol nem para qualquer outra luz brilhante.
- O equipamento não deverá ser exposto a derrames ou salpicos de líquidos e nenhum objeto que contenha líquidos, como vasos, deverá ser colocado sobre o equipamento.
- Não deverão ser colocadas fontes de chama livre, como velas acesas, sobre o equipamento.
- Providencie um supressor de picos na abertura da entrada do equipamento em condições especiais, como no cimo de uma montanha, numa torre de ferro ou na floresta.
- Queimadura dos dedos resultante do manuseamento das peças com o símbolo . Desligue o equipamento, aguarde trinta minutos e só então deverá manusear as peças.

Emergência

- Caso o dispositivo emita fumo, odores ou ruídos, desligue a alimentação elétrica de imediato, retire

o cabo de alimentação da tomada e contacte o centro de assistência.

Endereço do fabricante

Sala 313, Unidade B, Edifício 2, Rua Danfeng 399, Subdistrito Xixing, Distrito Binjiang, Hangzhou, Zhejiang 310052, China
Hangzhou Microimage Software Co., Ltd.


AVISO DE CONFORMIDADE: Os produtos da série térmica poderão estar sujeitos a controlos de exportação em vários países ou regiões, incluindo sem limite, os Estados Unidos da América, a União Europeia, o Reino Unido e/ou outros países-membro do Acordo de Wassenaar. Consulte o seu especialista em legislação ou em conformidade ou as autoridades locais para saber os requisitos de licença de exportação necessários se pretender transferir, exportar, voltar a exportar os produtos da série térmica entre países diferentes.

Nederlands

Kabel en interface

Nr.	Functie	Nr.	Functie
1	Resetknop	7	Alarmkabel 2
2	Geheugenkaart	8	Alarmkabel 1
3	Foutopsporing seriële poort	9	RS-485-kabel
4	CVBS-kabel	10	DC-stroomkabel
5	Audio-ingang	11	Ethernet
6	Audio-uitvoer		

Symbolen en markeringen

	Mededeling		i. Accessoires alleen van toepassing op sommige modellen. ii. Variabele soorten en hoeveelheden. iii. Sla deze stap over als deze niet is vereist.
	Waarschuwing	microSD 	Micro-SD-kaart
	Verboden		Aarding

	Juist		Afvoer
	Onjuist		Afzonderlijk aankopen
	Ga naar pagina A om verder te gaan.		Andere situaties

Netwerkcamera activeren en bedienen

Scan de QR-code om de **netwerkcamera te activeren en te openen**. Houd er rekening mee dat er kosten voor mobiele data in rekening kunnen worden gebracht als er geen wifi beschikbaar is.



Netwerkcamera activeren
en bedienen

De camera terugzetten en opnieuw instellen

Houd de resetknop tijdens het inschakelen of opnieuw starten van de camera gedurende ongeveer 10 seconden ingedrukt om de standaardinstellingen te herstellen, inclusief de gebruikersnaam, het wachtwoord, IP-adres, poortnr. enz.

Gebruikershandleiding & FAQ

Scan de onderstaande QR-code om de **gebruiksaanwijzing** te bekijken voor meer gedetailleerde instructies. De functies kunnen variëren afhankelijk van de verschillende cameramodellen. Houd het eigenlijke product aan als referentie.



Bi-spectrum
netwerkbulletcamera



Thermische
netwerkbulletcamera



Veelgestelde vragen

Juridische informatie

Vrijwaringsclausule

VOOR ZOVER MAXIMAAL TOEGESTAAN OP GROND VAN HET TOEPASSELIJK RECHT, WORDEN DEZE HANDLEIDING EN HET OMSCHREVEN PRODUCT, INCLUSIEF HARDWARE, SOFTWARE EN FIRMWARE, GELEVERD 'ZOALS ZE ZIJN', INCLUSIEF 'FOUTEN EN GEBREKEN'. HIKMICRO GEEFT GEEN GARANTIES, EXPLICIET OF IMPLICIET, WAARONDER ZONDER BEPERKING, VERKOOPBAARHEID, BEVREDIGENDE KWALITEIT OF GESCHIKTHEID VOOR EEN BEPAALD DOEL. HET GEBRUIK VAN HET PRODUCT DOOR U IS OP EIGEN RISICO. IN GEEN GEVAL IS HIKMICRO VERANTWOORDELIJK VOOR SPECIALE, BIJKOMENDE, INCIDENTELE OF INDIRECTE SCHADE, WAARONDER, ONDER ANDERE, SCHADE VAN VERLIES AAN ZAKELIJKE WINST, ZAKELIJKE ONDERBREKING OF VERLIES VAN GEGEVENS, CORRUPTIE OF SYSTEMEN, OF VERLIES VAN DOCUMENTATIE, ONGEACHT OF DIT VOORTVLOEIT UIT CONTRACTBREUK, BENADELING (INCLUSIEF NALATIGHEID), PRODUCTAANSPRAKELIJKHEID OF ANDERS, MET BETREKKING TOT HET PRODUCT, ZELFS ALS HIKMICRO OP DE HOOGTE IS GEBRACHT VAN ZULKE SCHADE OF VERLIES. U ERKENT DAT DE AARD VAN HET INTERNET INHERENTE VEILIGHEIDSRISICO'S INHOUDT EN DAT HIKMICRO GEEN ENKELE VERANTWOORDELIJKHEID AANVAARDT VOOR ABNORMALE WERKING, HET UITLEKKEN VAN PERSOONLIJKE GEGEVENS OF ANDERE SCHADE ALS GEVOLG VAN CYBERAANVALLEN, HACKERAANVALLEN, VIRUSBESMETTINGEN OF ANDERE BEVEILIGINGSRISICO'S OP HET INTERNET; INDIEN NODIG VOORZIET HIKMICRO IN TIJDIGE TECHNISCHE ONDERSTEUNING. U GAAT AKKOORD MET HET GEBRUIK VAN DIT PRODUCT IN OVEREENSTEMMING MET ALLE TOEPASSELIJKE WETTEN EN U BENT ALS ENIGE VERANTWOORDELIJK VOOR DE GARANTIE DAT UW GEBRUIK OVEREENSTEMT MET DE TOEPASSELIJKE WET. U BENT VOORAL VERANTWOORDELIJK DAT HET GEBRUIK VAN DIT PRODUCT GEEN INBREUK PLEEGT OP DE RECHTEN VAN DERDEN, INCLUSIEF EN ZONDER BEPERKING

DE RECHTEN VAN PUBLICITEIT, INTELLECTUEEL EIGENDOM OF GEGEVENS BESCHERMING EN ANDERE PRIVACYRECHTEN. U MAG DIT PRODUCT NIET GEBRUIKEN VOOR ENIGE VERBODEN EINDGEBRUIK, MET INBEGRIIP VAN DE ONTWIKKELING OF DE PRODUCTIE VAN MASSAVERNIEGINGSWAPENS, DE ONTWIKKELING OF DE PRODUCTIE VAN CHEMISCHE OF BIOLOGISCHE WAPENS, ALLE ACTIVITEITEN IN HET KADER VAN EVENTUELE NUCLEAIRE EXPLOSIEVEN OF ONVEILIGE NUCLEAIRE BRANDSTOF CYCLUS, OF TER ONDERSTEUNING VAN MENSENRECHTENSCHENDINGEN. IN HET GEVAL VAN ENIGE CONFLICTEN TUSSEN DEZE HANDLEIDING EN DE TOEPASSELIJKE WETGEVING, PREVALEERT DE LAATSTE.

Informatie met betrekking tot regelgeving

Deze clausules zijn alleen van toepassing op de producten die de overeenkomende markering of informatie dragen.

Nalevingsverklaring EU



Dit product en - indien van toepassing - ook de meegeleverde accessoires zijn gemarkeerd met „CE” en voldoen daarom aan de toepasselijke geharmoniseerde Europese normen vermeld onder de Richtlijn 2014/30/EU (EMCD) en Richtlijn 2011/65/EU (RoHS).

Opmerking: De producten met een ingangsspanning van 50 tot 1000 VAC of 75 tot 1500 VDC voldoen aan de Richtlijn 2014/35/EU (LVD), en de restproducten voldoen aan de Richtlijn 2001/95/EG (GPSD). Bekijk de specifieke informatie over de voeding ter referentie.

Waarschuwing: Dit is een product van klasse A. Dit product kan in een huishoudelijke omgeving radiostoring veroorzaken, in welk geval de gebruiker gepaste maatregelen moet treffen.



Richtlijn 2012/19/EU (WEEE-richtlijn): Producten die met dit symbool zijn gemarkeerd mogen binnen de Europese Unie niet worden weggegooid als ongesorteerd huishoudelijk afval. Lever dit product

voor een juiste recycling in bij uw plaatselijke leverancier bij aankoop van soortgelijke nieuwe apparatuur, of breng het naar daarvoor aangewezen inzamelpunten. Raadpleeg voor meer informatie: www.recyclethis.info.



Richtlijn 2006/66/EG en zijn amendement 2013/56/EU (Batterijrichtlijn): Dit product bevat een batterij die binnen de Europese Unie niet mag worden weggegooid als ongesorteerd huishoudelijk afval. Zie de productdocumentatie voor specifieke informatie over de batterij. De batterij is gemarkeerd met dit symbool, dat letters kan bevatten die cadmium (Cd), lood (Pb) of kwik (Hg) aanduiden. Lever de batterij voor een juiste recycling in bij uw leverancier of bij een daarvoor aangewezen inzamelpunt. Raadpleeg voor meer informatie: www.recyclethis.info.

Veiligheidsinformatie

Lees alle veiligheidsinformatie aandachtig door vóór het gebruik.

Wet- en regelgeving

U moet zich bij het gebruik van het product strikt houden aan de elektrische veiligheidsvoorschriften van het land en de regio.

Transport

- Bewaar het apparaat in de originele of soortgelijke verpakking tijdens vervoer.
- Bewaar alle verpakkingen voor toekomstig gebruik. In het geval van een defect moet u het apparaat terugsturen naar de fabriek met de originele verpakking. Transport zonder de originele verpakking kan leiden tot schade aan het apparaat, waarvoor wij geen verantwoordelijk erkennen.
- Laat het product niet vallen en stel het apparaat niet bloot aan schokken. Houd het toestel uit de buurt van magnetische velden.

Stroomvoorziening

- Koop de lader zelf. De ingangsspanning moet voldoen aan de Beperkte Stroombron met 12 VDC, of PoE (802.3af) in overeenstemming met de IEC62368-standaard. Zie de technische specificaties voor gedetailleerde informatie.
- Zorg dat de stekker goed in het stopcontact zit.
- Het stopcontact moet in de buurt van de apparatuur worden geïnstalleerd en eenvoudig toegankelijk zijn.
- Sluit NOOIT meerdere apparaten aan op één voedingsadapter om oververhitting of brandgevaar door overbelasting te voorkomen.
- Raak de blanke metalen contacten van de inlaten niet aan nadat de stroomonderbreker is uitgeschakeld. Er is nog steeds elektriciteit aanwezig.
- + identificeert de positieve aansluiting(en) van apparatuur die wordt gebruikt met gelijkstroom of die dat genereert. - identificeert de negatieve

aansluiting(en) van apparatuur die wordt gebruikt met gelijkstroom of die dat genereert.

Batterij

- Er bestaat explosiegevaar wanneer de batterij door een onjuist type wordt vervangen. Verwijder gebruikte batterijen in overeenstemming met de instructies.
- De ingebouwde batterij kan niet worden gedemonteerd. Neem indien nodig contact op met de fabrikant voor reparatie.
- Voor langdurige opslag van de batterij moet u ervoor zorgen dat deze elk half jaar volledig wordt opgeladen om de kwaliteit van de batterij te waarborgen. Als u dit niet doet, kan dit leiden tot schade.
- Deze apparatuur is niet geschikt voor gebruik op locaties waar waarschijnlijk kinderen aanwezig zijn.
- Onjuiste vervanging van de batterij door een onjuist type kan een beveiliging omzeilen (bijvoorbeeld in het geval van sommige typen lithiumbatterijen).
- Gooi de batterij niet in vuur of een hete oven en plet of snij de batterij niet op mechanische wijze, want dat kan een explosie veroorzaken.
- Laat de batterij niet in een omgeving met een extreem hoge temperatuur liggen, want dat kan een explosie of het lekken van brandbare vloeistof of gas tot gevolg hebben.
- Stel de batterij niet bloot aan extreem lage luchtdruk, want dat kan een explosie of het lekken van brandbare vloeistof of gas tot gevolg hebben.

Extra verlichting

- ⚠ De lichtbundel op een afstand van 200 mm wordt ingedeeld als risicogroep 2 (RG2). Dit product stoot mogelijk gevaarlijke optische straling uit.
- Staar NIET in de operationele lichtbron. Dit kan schadelijk zijn voor uw ogen.
- Draag goede oogbescherming of schakel de aanvullende verlichting alleen op een veilige afstand (2,9 m) in of in het gebied dat niet direct aan het licht wordt blootgesteld wanneer u het apparaat installeert of onderhoudt.

Installatie

- Plaats de apparatuur nooit op een onstabiele plaats. De apparatuur kan dan vallen, wat ernstig letsel of de dood tot gevolg kan hebben.
- Deze apparatuur is uitsluitend bedoeld voor gebruik met bijpassende klemmen. Gebruik met andere voorwerpen (karren, standaards of dragers) kan leiden tot instabiliteit letsel veroorzaken.

Systeembeveiliging

- U erkent dat de aard van internet zorgt voor inherente veiligheidsrisico's, en ons bedrijf zal geen enkele verantwoordelijkheid accepteren voor abnormale werking, schending van privacy of andere schade als gevolg van een cyber- of

hacker-aanval; ons bedrijf zal echter tijdige technische ondersteuning bieden indien vereist.


- Zorg voor bescherming van persoonlijke gegevens en gegevensbeveiliging aangezien het apparaat mogelijk te maken kan krijgen met netwerkbeveiligingsproblemen wanneer het met internet wordt verbonden. Neem contact met ons op als er netwerkbeveiligingsrisico's voor het apparaat optreden.
- Wij vragen uw begrip voor het feit dat u verantwoordelijkheid bent voor het configureren van alle wachtwoorden en andere beveiligingsinstellingen betreffende het apparaat, en bewaar uw gebruikersnaam en wachtwoord.

Onderhoud

- Als het product niet goed werkt, neem dan contact op met uw leverancier of het dichtstbijzijnde servicecentrum. Wij aanvaarden geen verantwoordelijkheid voor problemen die zijn veroorzaakt door ongeautoriseerde reparatie of onderhoud.
- Een paar componenten van het apparaat (o.a. elektrolytische condensator) vereisen regelmatige vervanging. De gemiddelde levensduur varieert, dus periodieke controle wordt aanbevolen. Neem contact op met uw leverancier voor meer informatie.
- Veeg het apparaat voorzichtig schoon met een schone doek en, indien nodig, een kleine hoeveelheid ethanol.
- Als de apparatuur wordt gebruikt op een manier die niet door de fabrikant is gespecificeerd, kan de bescherming van het apparaat worden aangetast.
- Vervang de zekering uitsluitend door een exemplaar van hetzelfde type en vermogen om het risico van brand te reduceren.
- De seriële poort van de apparatuur wordt alleen gebruikt voor foutopsporing.

Gebruiksomgeving

- Zorg dat de gebruiksomgeving voldoet aan de vereisten van het apparaat. De bedieningstemperatuur dient te zijn tussen -40 °C en 70 °C (-40 °F en 158 °F), en de luchtvochtigheid dient te zijn tussen 5% en 95%.

- Plaats het apparaat in een droge en goed geventileerde omgeving.
- Stel het apparaat NIET bloot aan hoge elektromagnetische straling of stoffige omgevingen.
- Richt de lens NIET op de zon of een ander fel licht.
- De apparatuur mag niet worden blootgesteld aan druppels of spetters en er mogen geen voorwerpen gevuld met vloeistoffen, zoals vazen, op de apparatuur worden geplaatst.
- Plaats geen bronnen met open vuur, zoals brandende kaarsen, op het apparaat.
- Zorg voor een overspanningsbeveiliging bij de inlaatopening van de apparatuur onder speciale omstandigheden, zoals op een bergtop, ijzeren toren en in het bos.
- U kunt uw vingers verbranden als u onderdelen met dit symbool vastpakt . Wacht een half uur na uitschakelen voordat u de onderdelen beetpakt.

Noodgeval

- Als er rook, geur of geluid uit het apparaat komt, schakel het dan onmiddellijk uit, haal de stekker van het netsnoer uit het stopcontact en neem contact op met het servicecentrum.

Adres fabrikant

Kamer 313, Unit B, Gebouw 2, 399 Danfeng Road, subdistrict Xixing, district Binjiang, Hangzhou, Zhejiang 310052, China
Hangzhou Microimage Software Co., Ltd.

MEDEDELING VAN NALEVING: De producten thermische serie kunnen zijn onderworpen aan exportcontroles in verschillende landen of regio's, inclusief zonder enige beperking de Verenigde Staten, de Europese Unie, het Verenigd Koninkrijk en/of andere lidstaten van de Overeenkomst van Wassenaar. Neem contact op met uw professionele juridische of nalevingsexpert of plaatselijke overheidsinstanties omtrent enige noodzakelijke vereisten voor een exportvergunning als u van plan bent de producten thermische serie te verplaatsen, exporteren of her-exporteren tussen verschillende landen.













Čeština

Kabely a konektory

Č.	Funkce	Č.	Funkce
1	Tlačítko resetování	7	Kabel alarmu 2
2	Paměťová karta	8	Kabel alarmu 1
3	Sériový ladicí port	9	Kabel RS-485

Č.	Funkce	Č.	Funkce
4	Kabel CVBS	10	Napájecí kabel stejnosměrného proudu
5	Audiovstup	11	Ethernet
6	Audiovýstup		

Symbole a označení

	Poznámka		i. Příslušenství se vztahuje pouze na některé modely. ii. Typy a množství proměnných. iii. Přeskočit tento krok, pokud není vyžadován.
	Varování		Karta MicroSD
	Zakázáno		Uzemnění
	Správně		Likvidace
	Nesprávně		K zakoupení samostatně
	Otočte na stranu A a pokračujte.		Ostatní situace

Aktivace síťové kamery a přístup k ní

Síťovou kameru aktivujete a získáte k ní přístup po naskenování kódu QR.

Není-li k dispozici síť Wi-Fi, upozorňujeme, že mohou být účtovány poplatky za mobilní data.



Aktivace síťové kamery
a přístup k ní

Resetování kamery a obnovení výchozího nastavení

Chcete-li obnovit výchozí nastavení včetně uživatelského jména, hesla, IP adresy, č. portu atd., stiskněte během zapínání nebo restartování kamery tlačítko resetování a podržte jej po dobu 10 s.

Návod k obsluze a nejčastější dotazy

Podrobnější pokyny získáte v **návodu k obsluze** dostupném po naskenování kódu QR. Funkce se mohou lišit v závislosti na různých modelech kamer. Jako referenci použijte skutečný výrobek.



Síťová dvouspektrální kamera v provedení bullet



Síťová termokamera v provedení bullet



Nejčastější dotazy

Právní informace

Prohlášení o vyloučení odpovědnosti

TATO PŘÍRUČKA A POPISOVANÉ PRODUKTY VČETNĚ PŘÍSLUŠNÉHO HARDWARU, SOFTWARE A FIRMWARU JSOU V MAXIMÁLNÍM ROZSAHU PŘÍPUSTNĚM PODLE ZÁKONA POSKYTOVÁNY, „JAK STOJÍ A LEŽÍ“, A „SE VŠEMI VADAMI A CHYBAMI“. SPOLEČNOST HIKMICRO NEPOSKYTUJE ŽÁDNÉ VÝSLOVNÉ ANI PŘEDPOKLÁDANÉ ZÁRUKY ZARNUJÍCÍ MIMO JINÉ PRODEJNOST, USPOKOJIVOU KVALITU NEBO VHODNOST KE KONKRÉTNÍM ÚČELŮM. POUŽÍVÁNÍ TOHOTO PRODUKTU JE NA VAŠE VLASTNÍ RIZIKO. SPOLEČNOST HIKMICRO V ŽÁDNÉM PŘÍPADĚ NENESE ODPOVĚDNOST ZA JAKÉKOLI ZVLÁŠTNÍ, NÁSLEDNÉ, NÁHODNÉ NEBO NEPŘÍMÉ ŠKODY ZAHRNÚJÍCÍ MIMO JINÉ ŠKODY ZE ZTRÁTY OBCHODNÍHO ZISKU, PŘERUŠENÍ OBCHODNÍ ČINNOSTI NEBO ZTRÁTY DAT, POŠKOZENÍ SYSTÉMŮ NEBO ZTRÁTY DOKUMENTACE V SOUVISLOSTI S POUŽÍVÁNÍM TOHOTO VÝROBKU BEZ OHLEDU NA TO, ZDA TAKOVÉ ŠKODY VZNIKLY Z DŮVODU PORUŠENÍ SMLOUVY, OBČANSKOPRÁVNÍHO PŘEČINU (VČETNĚ NEDBALOSTI) ČI ODPOVĚDNOSTI ZA PRODUKT, A TO ANI V PŘÍPADĚ, ŽE SPOLEČNOST HIKMICRO BYLA NA MOŽNOST TAKOVÝCHTO ŠKOD NEBO ZTRÁTY UPOZORNĚNA. BERETE NA VĚDOMÍ, ŽE INTERNET SVOU PODSTATOU PŘEDSTAVUJE SKRYTÁ BEZPEČNOSTNÍ RIZIKA A SPOLEČNOST HIKMICRO PROTO NEPŘEBÍRÁ ŽÁDNOU ODPOVĚDNOST ZA

NESTANDARDNÍ PROVOZNÍ CHOVÁNÍ, ÚNIK OSOBNÍCH ÚDAJŮ NEBO JINÉ ŠKODY VYPLÝVAJÍCÍ Z KYBERNETICKÉHO ČI HACKERSKÉHO ÚTOKU, NAPADENÍ VIREM NEBO ŠKODY ZPŮSOBENÉ JINÝMI INTERNETOVÝMI BEZPEČNOSTNÍMI RIZIKY; SPOLEČNOST HIKMICRO VŠAK V PŘÍPADĚ POTŘEBY POSKYTNE VČASNOU TECHNICKOU PODPORU.

SOUHLASÍTE S TÍM, ŽE TENTO PRODUKT BUDE POUŽÍVÁN V SOULADU SE VŠEMI PLATNÝMI ZÁKONY A VÝHRADNĚ ODPOVÍDÁTE ZA ZAJIŠTĚNÍ, ŽE VAŠE UŽÍVÁNÍ BUDE V SOULADU S PLATNOU LEGISLATIVOU. ODPOVÍDÁTE ZEJMÉNA ZA POUŽÍVÁNÍ PRODUKTU ZPŮSOBEM, KTERÝ NEPORUŠUJE PRÁVA TŘETÍCH STRAN, COŽ ZAHRNÚJE MIMO JINÉ PRÁVO NA OCHRANU OSOBNOSTI, PRÁVO DUŠEVNÍHO VLASTNICTVÍ NEBO PRÁVO NA OCHRANU OSOBNÍCH ÚDAJŮ A DALŠÍ PRÁVA NA OCHRANU SOUKROMÍ. TENTO PRODUKT NESMÍTE POUŽÍVAT K JAKÝMKOLI NEDOVOLENÝM KONCOVÝM ÚČELŮM VČETNĚ VÝVOJE ČI VÝROBY ZBRANÍ HROMADNÉHO NIČENÍ, VÝVOJE NEBO VÝROBY CHEMICKÝCH ČI BIOLOGICKÝCH ZBRANÍ NEBO JAKÝCHKOLI ČINNOSTÍ SOUVISEJÍCÍCH S JADERNÝMI VÝBUŠNINAMI NEBO NEBEZPEČNÝM JADERNÝM PALIVOVÝM CYKLEM ČI K PODPOŘE PORUŠOVÁNÍ LIDSKÝCH PRÁV.

V PŘÍPADĚ JAKÉHOKOLI ROZPORU MEZI TÍMTO NÁVODEM A PŘÍSLUŠNÝMI ZÁKONY PLATÍ DRUHÉ ZMÍNĚNÉ.

Zákonné informace

Tyto části se vztahují pouze k výrobkům nesoucím odpovídající označení nebo informaci.

Prohlášení o shodě EU



Tento výrobek, a případně i dodané příslušenství, jsou označeny štítkem „CE“, což znamená, že vyhovují příslušným harmonizovaným evropským normám uvedeným ve směrnici 2014/30/EU (EMCD) a směrnici 2011/65/EU (RoHS).

Poznámka: Výrobky se vstupním napětím 50 až 1 000 V AC nebo 75 až 1 500 V DC vyhovují směrnici 2014/35/EU (LVD) a ostatní výrobky vyhovují směrnici 2001/95/ES (GPSD). Přečtěte si informace o konkrétním zdroji napájení.

Varování: Jedná se o zařízení třídy A. V domácím prostředí může tento výrobek způsobovat rušení rádiového signálu. V takovém případě může být nutné přijmout odpovídající opatření.



Směrnice 2012/19/EU (směrnice WEEE): Výrobky označené tímto symbolem nelze v Evropské unii likvidovat společně s netříděným domovním odpadem. Při zakoupení nového ekvivalentního výrobku tento výrobek řádně zrecykluje vrácením svému místnímu dodavateli, nebo jej zlikvidujte odevzdáním v určených sběrných místech. Další informace naleznete na adrese: www.recyclethis.info.



Směrnice 2006/66/ES a její úprava 2013/56/EU (směrnice o bateriích): Tento výrobek obsahuje baterii, kterou nelze v Evropské unii likvidovat společně s netříděným domovním odpadem. Konkrétní informace o baterii naleznete v dokumentaci výrobku. Baterie je označena tímto symbolem, který může obsahovat písmena značící kadmium (Cd), olovo (Pb) nebo rtuť (Hg). Za účelem řádné recyklace baterii odevzdejte svému dodavateli nebo na určené sběrné místo. Další informace naleznete na adrese: www.recyclethis.info.

Bezpečnostní informace

Před použitím si pečlivě přečtěte všechny bezpečnostní pokyny.

Zákony a předpisy

Při používání výrobku je nutné přísně dodržovat všechny národní a místní předpisy týkající se elektrické bezpečnosti.

Přeprava

- Při přepravě uchovávejte zařízení v původním nebo jemu podobném balení.
- Po vybalení uchovejte veškeré obaly pro budoucí použití. V případě jakékoli poruchy je třeba vrátit zařízení výrobcí v původním obalu. Přeprava bez původního obalu může vést k poškození zařízení, za které společnost neponese odpovědnost.

- Produkt nevystavujte fyzickým nárazům a zabraňte jeho spadnutí. Udržujte zařízení mimo dosah magnetického rušení.

Napájení

- Zakupte si nabíječku sami. Vstupní napětí musí dle normy IEC62368 splňovat požadavek na omezený zdroj napájení 12 V stejnosměrným proudem nebo napájení PoE (802.3af). Podrobné informace naleznete v technických údajích.
- Zkontrolujte, zda je zástrčka řádně zapojena do napájecí zásuvky.
- Síťová zásuvka musí být namontována v blízkosti zařízení a musí být snadno přístupná.
- K jednomu napájecímu adaptéru NEPŘIPOJUJTE více zařízení, abyste zabránili přehřátí nebo nebezpečí požáru v důsledku přetížení.
- Po vypnutí jističe se NEDOTÝKEJTE obnažených kovových kontaktů vstupů. Stále jsou pod proudem.
- + označuje kladnou svorku zařízení, která se používá se stejnosměrným proudem nebo jej generuje. - označuje zápornou svorku zařízení, která se používá se stejnosměrným proudem nebo jej generuje.

Baterie

- Při výměně baterie za nesprávný typ hrozí nebezpečí výbuchu. Použité baterie zlikvidujte podle pokynů.
- Vestavěnou baterii nelze rozebírat. Je-li třeba ji opravit, obraťte se na výrobce.
- Při dlouhodobém skladování baterii každého půl roku plně nabijte, abyste zajistili zachování její kvality. V opačném případě může dojít k jejímu poškození.
- Toto zařízení není vhodné pro použití v místech, na kterých se mohou vyskytovat děti.
- Vyměníte-li baterii za nesprávný typ, může dojít k poškození bezpečnostního prvku (například v případě některých typů lithiových baterií).
- Nevhazujte do ohně, nevkládejte do horké trouby, mechanicky ji nedrťte ani neřezejte. Mohlo by dojít k výbuchu.
- Neponechávejte baterii v prostředí s extrémně vysokou teplotou, protože by mohlo dojít k výbuchu nebo úniku hořlavé kapaliny nebo plynu.
- Nevystavujte baterii extrémně nízkému tlaku vzduchu, protože by mohlo dojít k výbuchu nebo úniku hořlavé kapaliny nebo plynu.

Přídavné osvětlení

- ⚠ Světelný paprsek ve vzdálenosti 200 mm je klasifikován jako riziková skupina 2 (RG2). Tento výrobek může vyzařovat nebezpečné optické záření.
- NEDÍVEJTE se do zapnutého zdroje světla. Může být pro oči škodlivé.
- Při montáži nebo údržbě zařízení noste příslušnou ochranu očí, nebo přídavné osvětlení zapínejte pouze v bezpečné vzdálenosti (2,9 m)

nebo se pohybujte pouze v oblasti, která není světlu přímo vystavena.

Montáž

- Zařízení nikdy neumísťujte na nestabilní místo. Zařízení může spadnout a způsobit vážné zranění nebo smrt.
- Toto zařízení je určeno k používání pouze s odpovídajícími držáky. Při použití jiného vybavení (vozíků, stojanů nebo nosičů) může být instalace nestabilní a může dojít ke zranění.

Zabezpečení systému


- Berete na vědomí, že internet svou podstatou představuje skrytá bezpečnostní rizika a naše společnost proto nepřebírá žádnou odpovědnost za nestandardní provozní chování, únik osobních údajů nebo jiné škody vyplývající z kybernetického či hackerského útoku; naše společnost však v případě potřeby poskytne včasnou technickou podporu.
- Zajistíte ochranu osobních údajů a zabezpečení dat, protože se zařízení během připojení k internetu může potýkat s problémy se zabezpečením sítě. Obráťte se na nás, pokud se vyskytnou problémy se zabezpečením sítě nebezpečné pro zařízení.
- Mějte na paměti, že jste odpovědní za konfiguraci všech hesel a dalších nastavení zabezpečení zařízení a uchovejte uživatelské jméno a heslo.

Údržba

- V případě, že výrobek nefunguje správně, obraťte se na prodejce nebo na nejbližší servisní středisko. Nepřebíráme žádnou odpovědnost za problémy způsobené neoprávněnou opravou nebo údržbou.
- Některé z komponent zařízení (např. elektrolytický kondenzátor) je nutné pravidelně vyměňovat. Průměrná doba životnosti se liší, doporučujeme proto pravidelné kontroly. Podrobnosti vám poskytne prodejce.
- V případě potřeby zařízení jemně otřete čistým hadříkem navlhčeným malým množstvím etanolu.
- V případě použití zařízení způsobem jiným než určeným výrobcem může dojít ke zrušení platnosti záruky.
- Pojistku vyměňte pouze za pojistku stejného typu a se stejným jmenovitým proudem, abyste omezili nebezpečí požáru.

- Sériový port zařízení se používá pouze k ladění.

Provozní prostředí

- Zajistíte, aby provozní prostředí vyhovovalo požadavkům zařízení. Provozní teplota musí být -40 °C až 70 °C a vlhkost musí být 5 % až 95 %.
- Umístíte zařízení na suché a dobře větrané místo.
- NEVYSTAVUJTE zařízení silnému elektromagnetickému záření ani prašnému prostředí.
- NEMIŘTE objektivem do slunce ani do jiného zdroje jasného světla.
- Zařízení nesmí být vystaveno kapající nebo stříkající vodě a nesmí se na něj pokládat předměty s tekutinami, jako jsou vázy.
- Na zařízení se nesmí pokládat zdroje otevřeného ohně jako například hořící svíčky.
- Ve speciálních podmínkách, jako je na vrcholcích hor, na kovové věži nebo v lese namontujte do vstupního otvoru zařízení přepětovou ochranu.
- Při manipulaci s díly označenými symbolem  si můžete popálit prsty. Než budete s díly manipulovat, vyčkejte po vypnutí zařízení půl hodiny.

Stav nouze

- Pokud ze zařízení vychází kouř, zápach nebo hluk, zařízení okamžitě vypněte, odpojte napájecí kabel a obraťte se na servisní středisko.

Adresa výrobce

Místnost 313, jednotka B, budova 2, ulice Danfeng 399, podobvod Xixing, obvod Binjiang, Hangzhou, Zhejiang 310052, Čína
Hangzhou Microimage Software Co., Ltd.

POZNÁMKA O DODRŽOVÁNÍ PŘEDPISŮ: Na výrobky termální řady se mohou vztahovat vývozní opatření v různých zemích nebo regionech včetně, mimo jiné, Spojených států, Evropské unie, Spojeného království a dalších členských států Wassenaarského ujednání. Máte-li v úmyslu přenášet, exportovat nebo opětovně exportovat výrobky termální řady mezi různými zeměmi, obraťte se na profesionálního právníka, odborníka v oblasti dodržování předpisů nebo místní úřady, aby vám sdělili všechny nezbytné licenční požadavky pro export.


Dansk

Kabel og grænseflade

Nr.	Funktion	Nr.	Funktion
1	Nulstillingsknap	7	Alarmkabel 2
2	Hukommelseskort	8	Alarmkabel 1

Nr.	Funktion	Nr.	Funktion
3	Seriell port til fejlretning	9	RS-485-kabel
4	CVBS-kabel	10	Jævnstrømskabel
5	Lydindgang	11	Ethernet
6	Lyddudgang		

Symboler og mærker

	Meddelelse		i. Tilbehør gælder kun visse modeller. ii. Forskellige typer og antal. iii. Spring dette trin over, hvis det ikke er nødvendigt.
	Advarsel		MicroSD-kort
	Forbudt		Jordforbindelse
	Korrekt		Bortskaffelse
	Forkert		Skal købes separat
	Gå til side A og fortsæt.		Andre situationer

Aktivér og få adgang til netværkskamera

Scan QR-koden for at aktivere og få adgang til netværkskameraet. Vær opmærksom på, at der kan opkræves datagebyrer, hvis wi-fi er utilgængelig.



Aktivér og få adgang til
netværkskamera

Nulstilling og gendannelse af kamera

Tryk og hold på knappen Nulstil i ca. 10 sek., når kameraet tændes eller genstartes, for at gendanne standardindstillingerne, inkl. brugernavn, adgangskode, IP-adresse, portnr. osv.

Brugervejledning og ofte stillede spørgsmål

Find mere detaljeret vejledning ved at scanne QR-koden herunder for at se **brugervejledningen**. Funktionerne kan variere afhængigt af kameramodel. Det faktiske produkt gælder.



Bi-spektrum netværks
bullet kamera



Termisk
bullet-kamera til
netværk



Ofte stillede
spørgsmål

Juridiske oplysninger

Ansvarsfraskrivelse

VEJLEDNINGEN OG DET HERI BESKREVNE PRODUKT, INKL. HARDWARE, SOFTWARE OG FIRMWARE, LEVERES I STØRST MULIGT OMFANG, DER ER TILLADT VED LOV, "SOM DET ER OG FOREFINDES" OG "MED ALLE DEFEKTER OG FEJL". HIKMICRO UDSTEDER INGEN GARANTIER, HVERKEN UDTRYKKELEGE ELLER UNDERFORSTÅEDE, INKL. UDEN BEGRÆNSNING, VEDRØRENDE SALGBARHED, TILFREDSSTILLENDE KVALITET ELLER EGNETHED TIL ET BESTEMT FORMÅL. DIN BRUG AF PRODUKTET SKER PÅ DIN EGEN RISIKO. UNDER INGEN OMSTÆNDIGHEDER ER HIKMICRO ANSVARLIG OVER FOR DIG FOR SÆRLIGE SKADER, HÆNDELIGE SKADER, FØLGESKADER ELLER INDIREKTE SKADER, INKL.

BL.A., SKADER SOM FØLGE AF DRIFTSTAB, DRIFTSFORSTYRELSE ELLER TAB AF DATA, BESKADIGELSE AF SYSTEMER ELLER TAB AF DOKUMENTATION, UANSET OM DET ER BASERET PÅ KONTRAKTBRUD, SKADEVOLDENDE HANDLINGER (HERUNDER UAGTSOMHED), PRODUKTANSVAR ELLER PÅ ANDEN MÅDE I FORBINDELSE MED BRUGEN AF PRODUKTET, SELVOM HIKMICRO ER BLEVET UNDERRETTET OM MULIGHEDEN FOR SÅDANNE SKADER. DU ANERKENDER, AT INTERNETTET INDEHOLDER INDBYGGEDE SIKKERHEDSRISICI. HIKMICRO PÅTAGER SIG INTET ANSVAR FOR UNORMAL DRIFT, LÆKAGE AF PERSONLIGE OPLYSNINGER ELLER ANDRE SKADER SOM FØLGE AF CYBERANGREB, HACKERANGREB, VIRUSANGREB ELLER ANDRE INTERNETSIKKERHEDSRISICI. HIKMICRO VIL DOG

YDE EVENTUEL NØDVENDIG OG RETTIDIG TEKNISK SUPPORT.

DU ERKLÆRER DIG INDFORSTÅET MED AT BRUGE PRODUKTET I OVERENSSTEMMELSE MED ALLE GÆLDENDE LOVE, OG DU ER ENEANSVARLIG FOR AT SIKRE, AT DIN BRUG OVERHOLDER AL GÆLDENDE LOVGIVNING. DU ER ISÆR ANSVARLIG FOR AT BRUGE PRODUKTET PÅ EN MÅDE, DER IKKE KRÆNKER TREDJEPARTERS RETTIGHEDER, HERUNDER, UDEN BEGRÆNSNINGER, RETTIGHEDER VEDRØRENDE OFFENTLIG OMTALE, INTELLEKTUELLE EJENDOMSRETTIGHEDER ELLER RETTIGHEDER VEDRØRENDE DATABESKYTTELSE OG ANDRE RETTIGHEDER VEDRØRENDE PERSONLIGE OPLYSNINGER. DU MÅ IKKE BRUGE PRODUKTET TIL FORBUDTE SLUTANVENDELSER, HERUNDER UDVIKLING ELLER FREMSTILLING AF MASSEØDELÆGGELSESVÅBEN, UDVIKLING ELLER PRODUKTION AF KEMISKE ELLER BIOLOGISKE VÅBEN, AKTIVITETER I DEN KONTEKST, DER ER KNYTTET TIL ATOMBOMBER ELLER USIKKERT REAKTORBRÆNDSEL, ELLER SOM STØTTE TIL OVERTRÆDELSE AF MENNESKERETTIGHEDER. I TILFÆLDE AF UOVERENSSTEMMELSE MELLEM VEJLEDNINGEN OG GÆLDENDE LOVGIVNING GÆLDER SIDSTNÆVNTE.

Lovgivningsmæssige oplysninger

Disse bestemmelser gælder kun for produkter, der er forsynet med det relevante mærke eller oplysninger.

Erklæring om overensstemmelse med EU



Produktet og eventuelt medfølgende tilbehør er mærket "CE" og opfylder derfor gældende harmoniserede

europæiske standarder anført i EU-direktiv 2014/30/EU (EMCD) og EU-direktiv 2011/65/EU (RoHS).

Bemærk: Produkter med en indgangsspænding på 50 til 1.000 V vekselstrøm eller 75 til 1.500 V jævnstrøm overholder direktiv 2014/35/EU (LVD), og de øvrige produkter overholder direktiv 2001/95/EF (GPSD). Kontrollér oplysningerne om strømforsyningen for reference.

Advarsel: Dette er et klasse A-produkt. Under anvendelse i boliger kan produktet forårsage radiointerferens, og brugeren kan blive nødt til at træffe passende foranstaltninger.



EU-direktiv 2012/19/EU (WEEE-direktivet): Produkter, der er mærket med dette symbol, kan ikke bortskaffes som almindeligt

husholdningsaffald i EU. Med henblik på korrekt genbrug skal du aflevere produktet til din lokale leverandør ved køb af tilsvarende nyt udstyr eller aflevere det på et dertil indrettet indleveringssted. For yderligere oplysninger se: www.recyclethis.info.



Direktiv 2006/66/EF som ændret ved 2013/56/EU (batteridirektivet): Dette produkt indeholder et batteri, som ikke

kan bortskaffes sammen med almindeligt husholdningsaffald i EU. Find specifikke oplysninger om batteriet i produktokumentationen. Batteriet er mærket med dette symbol, som kan indeholde bogstaver, der indikerer indhold af kadmium (Cd), bly (Pb) eller kviksølv (Hg). Med henblik på korrekt genbrug skal du aflevere batteriet til din leverandør eller til et dertil indrettet indleveringssted. For yderligere oplysninger se: www.recyclethis.info.

Sikkerhedsanvisninger

Læs alle sikkerhedsanvisninger omhyggeligt inden ibrugtagning.

Love og bestemmelser

Når du anvender produktet, skal du strengt overholde landets og områdets sikkerhedsbestemmelser for elnettilslutning.

Transport

- Opbevar enheden i den oprindelige eller en lignende emballage, når den skal transporteres.
- Gem al emballage efter udpakningen til senere brug. Du skal bruge den originale emballage til at returnere enheden til fabrikken, hvis der opstår fejl. Transport uden den originale emballage kan medføre skade på enheden, og virksomheden tager intet ansvar derfor.
- Tab ikke produktet, og udsæt det ikke for fysiske stød. Hold enheden væk fra magnetisk interferens.

Strømforsyning


- Du skal selv købe en oplader. Indgangsspændingen skal overholde standarden for LPS (Limited Power Source) med 12 V jævnstrøm eller PoE (802.3af) i IEC 62368. Du kan finde nærmere oplysninger i de tekniske specifikationer.
- Kontrollér, at stikket er sat godt i stikkontakten.
- Stikkontakten skal være installeret i nærheden af udstyret og være nemt tilgængelig.
- Slut IKKE flere enheder til én strømadapter for at undgå overhedning eller brandfare som følge af overbelastning.
- Rør IKKE ved de blottede metalkontakter på indgangene, når afbryderen er slukket. Der er fortsat elektricitet til stede.
- + identificerer de positive terminaler på udstyret, der bruges sammen med eller genererer jævnstrøm. - identificerer de negative terminaler på udstyret, der bruges sammen med eller genererer jævnstrøm.

Batteri

- Der er eksplosionsfare, hvis batteriet udskiftes med en forkert type. Bortskaf brugte batterier i henhold til anvisningerne.
- Det indbyggede batteri kan ikke demonteres. Kontakt producenten, hvis du har brug for en reparation.

- Hvis batteriet skal opbevares i en længere periode, skal du sikre, at det oplades fuldt hvert halve år for at bevare batteriets ydeevne. Ellers kan der opstå skade.
- Udstyret er ikke egnet til brug på steder, hvor det er sandsynligt, at børn er til stede.
- Udskiftning af batteriet med et batteri af forkert type kan sætte en sikkerhedsforanstaltning ud af kraft (gælder fx for visse litium-batterityper).
- Bortskaf ikke batteriet i åben ild eller en varm ovn. Knus ikke, og skær ikke i batteriet, da dette kan forårsage en eksplosion.
- Efterlad IKKE batteriet i omgivelser med ekstremt høje temperaturer, da det kan medføre en eksplosion eller lækage af brandfarlig væske eller luftart.
- Udsæt IKKE batteriet for omgivelser med ekstremt lavt lufttryk, da det kan medføre en eksplosion eller lækage af brandfarlig væske eller luftart.

Supplerende lys

-  Lysstrålen på en afstand på 200 mm er klassificeret som risikogruppe 2 (RG2). Mulig farlig optisk stråling fra dette produkt.
- UNDLAD at stirre ind i lyskilden. Kan være skadelig for øjnene.
- Brug passende øjenbeskyttelse, eller tænd kun det supplerende lys fra sikker afstand (2,9 m) eller i det område, der ikke er direkte udsat for lyset, når du installerer eller vedligeholder enheden.

Installation

- Anbring aldrig udstyret på et usikkert underlag. Udstyret kan vælte og forårsage alvorlig personskade eller død.
- Brug kun udstyret sammen med de tilsvarende beslag. Brug af andet (arbejdsvogne, stativer eller støtter) kan medføre ustabilitet og forårsage personskade.

Systemikkerhed

- Du anerkender, at internettet indeholder indbyggede sikkerhedsrisici. Vores virksomhed påtager sig intet ansvar for unormal drift, lækage af personlige oplysninger eller andre skader som følge af cyberangreb eller hackerangreb. Vores virksomhed vil dog yde nødvendig rettidig teknisk bistand.
- Sørg for at aktivere beskyttelse af personoplysninger og datasikkerhed, da enheden kan blive udsat for netværkssikkerhedsproblemer, når den tilsluttes internettet. Kontakt os, hvis der opstår netværkssikkerhedsrisici.
- Du skal være bevidst om, at du har ansvar for at konfigurere alle adgangskoder og andre sikkerhedsindstillinger vedrørende enheden og at opbevare dit brugernavn og din adgangskode et sikkert sted.


Vedligeholdelse

- Hvis produktet ikke virker korrekt, skal du kontakte din forhandler eller dit nærmeste

servicecenter. Vi påtager os intet ansvar for problemer, der er forårsaget af uautoriseret reparation eller vedligeholdelse.

- Der er få enhedsdele (fx elektrolytkondensator), der skal udskiftes regelmæssigt. Den gennemsnitlige levetid varierer. Derfor er det nødvendigt at udføre regelmæssig kontrol. Kontakt din forhandler for nærmere oplysninger.
- Tør enheden forsigtigt af med en ren klud og en lille mængde ætanol, hvis det er nødvendigt.
- Hvis udstyret bruges på en måde, der ikke er angivet af producenten, kan den beskyttelse, der enheden giver, blive forringet.
- Udskift kun med en sikring af samme type og effekt for at reducere risikoen for brand.
- Den serielle port på udstyret bruges kun til fejlfinding.

Driftsmiljø

- Kontrollér, at driftsmiljøet opfylder enhedens krav. Driftstemperaturen skal ligge mellem -40 °C og 70 °C (-40 °F og 158 °F), og luftfugtigheden skal være mellem 5-95 %.
- Anbring enheden i et tørt og veludluftet miljø.
- Enheden må IKKE udsættes for kraftig elektromagnetisk stråling eller støvfylde miljøer.
- Objektivet må IKKE rettes mod solen eller et stærkt lys.
- Udsæt ikke udstyret for dryp eller sprøjt, og placér ikke genstande med væske, såsom vaser, oven på udstyret.
- Placér ikke kilder med åben ild, såsom et tændt stearinlys, oven på udstyret.
- Installér en spændingsdæmper ved udstyrets indgangsåbning under særlige forhold som f.eks. bjergtop, jerntårn og skov.
- Risiko for forbrænding ved håndtering af dele med symbolet . Vent 30 minutter, efter at udstyret er slukket, før delene håndteres.

Nødsituation

- Hvis enheden afgiver røg, lugt eller støj, skal du straks slukke for strømmen og trække strømkablet ud. Kontakt derefter servicecentret.

Producentens adresse

Værelse 313, Enhed B, Bygning 2, 399 Danfeng Vej, Xixing Underdistrikt, Binjiang Distrikt, Hangzhou, Zhejiang 310052, Kina
Hangzhou Microimage Software Co., Ltd.




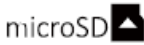








MEDDELELSE OM OVERENSSTEMMELSE:

Produkterne i den termografiske serie kan være underlagt eksportkontrol i forskellige lande eller områder, herunder, uden begrænsning, USA, EU, Storbritannien og/eller andre medlemslande i Wassenaar-aftalen. Kontakt din professionelle juraekspert, ekspert i overensstemmelse eller de lokale offentlige myndigheder for at få oplysninger om kravene for eksportlicens, hvis du har til hensigt at overføre, eksportere eller geneksportere enheder i den termiske serie mellem forskellige lande.

Kábel és csatlakozó

Sz.	Funkció	Sz.	Funkció
1	Visszaállítás gomb	7	2. riasztási kábel
2	Memóriakártya	8	1. riasztási kábel
3	Hibakereső soros port	9	RS-485 kábel
4	CVBS-kábel	10	Tápkábel egyenáramhoz
5	Hangbemenet	11	Ethernet
6	Hangkimenet		

Szimbólumok és jelzések

	Megjegyzés		i. A tartozékok csak adott modellekkel működnek. ii. Eltérő típusok és mennyiségek. iii. Ha nem szükséges, hagyja ki ezt a lépést.
	Figyelmeztetés		MicroSD-kártya
	Tilos		Földelés
	Helyes		Hulladék
	Helytelen		Külön vásárolható meg
	Folytassa az A oldalon.		Egyéb helyzetek

A hálózati kamera aktiválása és elérése

A hálózati kamera aktiválásához és eléréséhez olvassa be a QR-kódot. Ne feledje, hogy amennyiben nincs elérhető wifi-kapcsolat, mobiladat-forgalmi díjak jelenhetnek meg.



A hálózati kamera
aktiválása és elérése

A kamera alaphelyzetbe állítása

Tartsa lenyomva a visszaállítás gombot körülbelül 10 másodpercig a kamera indulása, illetve újraindulása során az alapértelmezett beállítások visszaállításához, beleértve a felhasználónevet, jelszót, IP-címet, portszámot, stb.

Felhasználói kézikönyv és GYIK

Részletesebb utasításokhoz olvassa be az alábbi QR-kódot a **felhasználói kézikönyv** letöltéséhez. A funkciók a különböző kameramodellek függvényében eltérhetnek. Kérjük, a valós terméket tekintse vonatkoztatási alapnak.



Két spektrumú hálózati
csőkamera



Cső kialakítású
hálózati hőkamera



GYIK

Jogi információk

Felelősségkizárás

EZT A KÉZIKÖNYVET, VALAMINT A BENNE SZEREPLŐ TERMÉKET ANNAK HARDVER-, SZOFTVER-ÖSSZETEVŐIVEL ÉS FIRMWARE-ÉVEL EGYÜTT „EREDETI FORMÁBAN” BIZTOSÍTJUK, „BELEÉRTVE AZOK ÖSSZES ESETLEGES HIBÁJÁT”. A HIKMICRO NEM VÁLLAL SEM KIFEJEZETT, SEM TÖRVÉNY ÁLTAL VÉLELMEZETT JÓTÁLLÁST TÖBBEK KÖZÖTT – DE NEM KORLÁTOZVA – A TERMÉK ÉRTÉKESÍTHETŐSÉGÉRE, MEGFELELŐ MINŐSÉGÉRE, VALAMINT ADOTT CÉLRA VALÓ ALKALMASSÁGÁRA. A TERMÉKET KIZÁRÓLAG SAJÁT FELELŐSÉGÉRE HASZNÁLHATJA. A HIKMICRO SEMMILYEN ESETBEN SEM VÁLLAL FELELŐSÉGET ÖN FELÉ SEMMILYEN

KÜLÖNLEGES, KÖVETKEZMÉNYES, JÁRULÉKOS VAGY KÖZVETETT KÁRÉRT, BELEÉRTVE TÖBBEK KÖZÖTT A TERMÉK HASZNÁLATÁVAL ÖSSZEFÜGGÉSBEN AZ ÜZLETI HASZON ELVESZTÉSÉBŐL, AZ ÜZLETMENET MEGSZAKADÁSÁBÓL, VALAMINT AZ ADATOK VAGY DOKUMENTUMOK ELVESZTÉSÉBŐL EREDŐ KÁROKAT, TÖRTÉNJEN EZ SZERZŐDÉSSZEGÉS VAGY KÁROKOZÁS (BELEÉRTVE A GONDATLANSÁGOT) EREDMÉNYEKÉNT, MÉG AKKOR SEM, HA A HIKMICRO VÁLLALATOT TÁJÉKOZTATTÁK AZ ILYEN KÁROK BEKÖVETKEZÉSÉNEK LEHETŐSÉGÉRŐL. ÖN TUDOMÁSUL VESZI, HOGY AZ INTERNET TERMÉSZETÉBŐL FAKADÓAN KOCKÁZATOKAT REJT, ÉS A HIKMICRO SEMMILYEN FELELŐSÉGET

NEM VÁLLAL A RENDELLENES MŰKÖDÉSÉRT, A SZEMÉLYES ADATOK KISZIVÁRGÁSÁÉRT VAGY MÁS OLYAN KÁROKÉRT, AMELYEKET KIBERTÁMADÁSOK, HACKERTÁMADÁSOK, VÍRUSFERTŐZÉSEK VAGY MÁS INTERNETES BIZTONSÁGI VESZÉLYEK OKOZTAK; A HIKMICRO AZONBAN KÉRÉSRE IDŐBEN MŰSZAKI TÁMOGATÁST NYÚJT.

ÖN ELFOGADJA, HOGY EZT A TERMÉKET KIZÁRÓLAG A VONATKOZÓ TÖRVÉNYI ELŐÍRÁSOK BETARTÁSÁVAL HASZNÁLJA, ÉS HOGY A VONATKOZÓ TÖRVÉNYEKNEK MEGFELELŐ HASZNÁLAT KIZÁRÓLAG AZ ÖN FELELŐSSÉGE. KÜLÖNÖSKÉPPEN AZ ÖN FELELŐSSÉGE, HOGY A TERMÉK HASZNÁLATA SORÁN NE SÉRTSE HARMADIK FÉL JOGAIT, BELEÉRTVE, DE NEM KORLÁTOZVA A NYILVÁNOSSÁGRA, SZELLEMI TULAJDONRA, ADATOK VÉDELMEÉRE ÉS EGYÉB SZEMÉLYES ADATOKRA VONATKOZÓ JOGOKAT. A TERMÉKET NEM HASZNÁLHATJA TILTOTT CÉLRA, BELEÉRTVE A TÖMEGPUSZTÍTÓ FEGYVEREK FEJLESZTÉSÉT VAGY GYÁRTÁSÁT, A VEGYI VAGY BIOLÓGIAI FEGYVEREK FEJLESZTÉSÉT VAGY GYÁRTÁSÁT, VALAMINT BÁRMILYEN, ROBBANÁSVESZÉLYES VAGY NEM BIZTONSÁGOS NUKLEÁRIS HASADÓANYAG-CIKLUSSAL KAPCSOLATOS TEVÉKENYSÉGET, ILLETVE EMBERI JOGI VISSZAÉLÉSEKET TÁMOGATÓ MÓDON TÖRTÉNŐ FELHASZNÁLÁST. HA A JELEN KÉZIKÖNYV ÉS A HATÁLYOS TÖRVÉNY KÖZÖTT ELLENTMONDÁS TAPASZTALHATÓ, AKKOR AZ UTÓBBI A MÉRVADÓ.

Szabályozással kapcsolatos információk

Ezek a cikkelyek kizárólag a megfelelő jelt vagy információt viselő termékekre vonatkoznak.

EU megfelelőségi nyilatkozat



Ez a termék és a mellékelt tartozékai (ha vannak) a „CE” jelzést viselik, így megfelelnek a 2014/30/EU (EMCD) és a 2011/65/EU (RoHS) irányelvben felsorolt harmonizált európai szabványoknak.

Megjegyzés: Az 50 - 1000 V (egyenáram) vagy 75 - 1500 V (váltóáram) tartományba eső bemeneti feszültséggel rendelkező termékek a 2014/35/EU (LVD) irányelv előírásainak, míg a többi termék a 2001/95/EK (GPSD) irányelv előírásainak felel meg. Kérjük, ellenőrizze az adott tápegységre vonatkozó tájékoztató információkat.

Figyelmeztetés: Ez egy A osztályú termék. Lakókörnyezetben rádióhullámú zavart okozhat, amely esetben a felhasználó számára előírható a megfelelő intézkedések megtétele.



2012/19/EU irányelv (WEEE irányelv): Az ilyen jelzéssel ellátott termékeket tilos szelektálatlan kommunális hulladékként elhelyezni az Európai Unió területén. A megfelelő újrahasznosítás érdekében vigye vissza ezt a terméket helyi forgalmazóhoz,

amikor új, egyenértékű berendezést vásárol, vagy adja le a kijelölt gyűjtőhelyeken. További információért keresse fel az alábbi weboldalt: www.recyclethis.info.



2006/66/EK irányelv és annak 2013/56/EU kiegészítése (akkumulátor-irányelv): Ez a termék olyan akkumulátort tartalmaz, amelyet az Európai Unióban tilos szelektálatlan kommunális hulladékként ártalmatlanítani. A termékdokumentációban további információkat talál az akkumulátorról. Az akkumulátor ezzel a jelzéssel van ellátva. A jelzésen megtalálhatók lehetnek a kadmiumot (Cd), ólmot (Pb) vagy higanyt (Hg) jelző betűjelek. A megfelelő újrahasznosítás érdekében vigye vissza az akkumulátort a forgalmazóhoz, vagy juttassa el egy kijelölt gyűjtőhelyre. További információért keresse fel az alábbi weboldalt: www.recyclethis.info.

Biztonsági információk

Kérjük, használat előtt figyelmesen olvassa el az összes biztonsági információt.

Törvények és szabályok

A termék használata során az ország és a régió elektromos biztonsági előírásait szigorúan be kell tartani.

Szállítás

- Szállítás alkalmával tartsa a terméket az eredeti, vagy ahhoz hasonló csomagolásban.
- Minden csomagolóanyagot őrizzen meg későbbi felhasználásra. Hiba esetén az eredeti csomagolásában kell a készüléket visszaküldenie a gyártónak. Az eredeti csomagolástól eltérő csomagolás a termék sérülését okozhatja. A vállalat ez esetben nem vállal semmilyen felelősséget.
- Ne ejtse le és ne tegye ki ütődésnek a készüléket. Tartsa távol a készüléket a mágneses zavarforrásoktól.

Tápellátás


- Kérjük, a töltőt vásárolja meg külön. A bemeneti feszültségnek meg kell felelnie az egyenáramú 12 V-os egyenáramú korlátozott áramforrásokra vagy a PoE (802.3af) eszközökre vonatkozó előírásoknak az IEC62368 szabvány szerint. A részletes információkért olvassa el a műszaki adatokat.
- Ellenőrizze, hogy a tápcsatlakozó stabilan van-e csatlakoztatva a konnektorhoz.
- A hálózati aljzatot a készülék közelében kell felszerelni, könnyen hozzáférhető helyre.
- NE csatlakoztasson több készüléket egy hálózati adapterre, hogy elkerülje a túlterhelés okozta túlmelegedést vagy tűzveszélyt.
- NE érintse meg a bemeneti nyílás csupasz fém érintkezőit a megszakító kikapcsolása után. Még lehet bennük áram.

- A + a berendezés áramot fogadó vagy leadó pozitív érintkezőjét jelöli. A - a berendezés áramot fogadó vagy leadó negatív érintkezőjét jelöli.

Akkumulátor

- Az akkumulátor nem megfelelő típusúra cserélése robbanásveszélyt idézhet elő. A használt akkumulátorokat az utasításoknak megfelelően semlegesítse.
- A beépített akkumulátor nem vehető ki. Kérjük, forduljon a gyártóhoz, ha javítás szükséges.
- Az akkumulátor hosszú távú tárolásakor az akkumulátor minőségének biztosítása érdekében ellenőrizze fél évente, hogy az teljesen fel van-töltve. Ellenkező esetben rongálódás következhet be.
- Ez a berendezés nem használható olyan helyen, ahol gyermekek lehetnek jelen.
- Az akkumulátor nem megfelelő típusal történő helyettesítése hatástalaníthat adott biztonsági berendezéseket (például bizonyos típusú lítiumos akkumulátorok esetében).
- Tilos az akkumulátort tűzbe vagy forró sütőbe tenni, illetve az akkumulátort összezúzni vagy szétvágni, mert ez robbanást okozhat.
- Tilos az akkumulátort rendkívül magas környezeti hőmérsékletnek kitenni. Robbanást, illetve gyúlékony folyadék vagy gáz szivárgását idézheti elő.
- Tilos az akkumulátort rendkívül alacsony légnyomásnak kitenni. Robbanást, illetve gyúlékony folyadék vagy gáz szivárgását okozhatja.

Kiegészítő lámpa

-  A fénysugár 200 mm távolságban az 2-es kockázati csoportba tartozik (RG2). A termék potenciálisan veszélyes fénysugarat bocsát ki.
- NE nézzen a működő fényforrásba. Szemkárosodást okozhat.
- Viseljen megfelelő szemvédő eszközt vagy csak biztonságos távolságban (2,9 m) kapcsolja be a segédfényt, vagy olyan helyen, amely nincs közvetlenül kitéve a fénynek a készülék beszerelésekor vagy karbantartásakor.

Telepítés

- Soha ne helyezze a berendezést instabil helyre. A berendezés leeshet, ami súlyos vagy akár halálos sérülést okozhat.
- Ez a berendezés kizárólag a megfelelő rögzítőelemekkel használható. Az ettől eltérő eszközökkel (kocsi, állvány, vagy tartó) történő használat instabil rögzítést, és emiatt sérülésveszélyt okozhat.

Rendszerbiztonság


- Ön elfogadja, hogy az Internet természeténél fogva biztonsági kockázatokat rejt, és vállalatunk nem vállal felelősséget a rendellenes működésért, az adatszivárgásért vagy más olyan károkért, amelyek kibertámadásból, hackertámadásból származnak; vállalatunk azonban szükség esetén időben műszaki támogatást nyújt.

- Tekintettel arra, hogy a készülék az internetre csatlakozva hálózati biztonsági kockázatoknak lehet kitéve, gondoskodjon a személyes adatok védelméről és az adatbiztonságról. Ha a készülék hálózati biztonsági kockázatnak lehet kitéve, forduljon hozzánk.
- Ne feledje, hogy az Ön felelőssége az eszközhöz kapcsolódó összes jelszó és egyéb biztonsági beállítás megadása, valamint felhasználónevének és jelszavának biztonságos megőrzése.

Karbantartás

- Ha a termék NEM működik megfelelően, forduljon a forgalmazóhoz vagy a legközelebbi szervizközpontoz. Nem vállalunk felelősséget az illetéktelen javításból vagy karbantartásból eredő károkért.
- A készülék néhány alkatrésze (pl. elektrolit kondenzátor) rendszeres cserét igényel. Ezek átlagos élettartama változó, ezért rendszeres ellenőrzés ajánlott. Részletekért forduljon a forgalmazóhoz.
- Szükség esetén törölje le a készüléket egy tiszta törlővel és kis mennyiségű etanollal.
- Ha a készüléket nem a gyártó által meghatározott módon használja, a védelem szintje csökkenhet.
- A tűzveszély csökkentése érdekében csak azonos típusú és névleges értékű cserebiztosítót használjon.
- A készülék soros portja kizárólag hibakeresésre szolgál.

Használati környezet

- Bizonyosodjon meg, hogy a használati környezet megfelel a készülék előírásainak. Az üzemi hőmérséklet -40 °C és 70 °C (-40 °F - 158 °F) között, a páratartalom 5% és 95% között lehet.
- A készüléket száraz és jól szellőző környezetben helyezze el.
- NE TEGYE ki a készüléket erős elektromágneses sugárzásnak vagy poros környezetnek.
- NE IRÁNYÍTSA az objektívet a Nap vagy más erős fényforrás irányába.
- A készüléket védeni kell csöpögő vagy fröccsenő víz és folyadékok ellen. Ne helyezzen vizet tartalmazó edényt, tárgyat, pl. vázát a tetejére.
- Tilos a berendezésen nyílt lángforrást, pl. gyertyát elhelyezni.
- Speciális elhelyezés (pl. hegytető, vastorony, erdő) esetén a berendezés bemeneti nyílásánál alkalmazzon túláramvédőt.
- A  szimbólummal ellátott alkatrészek megérintése esetén az ujjak égési sérülés veszélyének vannak kitéve. Várjon fél órát a készülék kikapcsolását követően, mielőtt megérintené az ilyen részeket.

Vészhelyzet

- Ha a készülék füstöt, furcsa szagot vagy zajt bocsát ki, azonnal kapcsolja ki, húzza ki a tápkábelt, majd forduljon a szervizközpontoz.

A gyártó címe

313-as szoba, B egység, 2-es épület, 399 Danfeng Road, Xixing alkerület, Binjiang kerület, Hangzhou, Zhejiang 310052, Kína
Hangzhou Microimage Software Co., Ltd.

MEGFELELŐSÉGI MEGJEGYZÉS: A termográfias sorozat termékeire exportszabályozás vonatkozhat különböző régiókban és országokban, pl. az

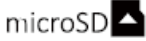


Egyesült Államokban, az Európai Unióban, az Egyesült Királyságban és/vagy a wassenaari egyezmény más tagországában. Ha a termográfias sorozat termékeit különböző országok közt szeretné szállítani, exportálni vagy újraexportálni, tájékozódjon a szükséges exportengedélyekről és követelményekről egy jogi vagy megfeleléségi szakértőnél, vagy a helyi hatóságoknál.

Polski

Interfejs i przewody

Numer	Funkcja	Numer	Funkcja
1	Przycisk resetowania	7	Przewód alarmowy 2
2	Karta pamięci	8	Przewód alarmowy 1
3	Złącze szeregowo debugowania	9	Przewód RS-485
4	Przewód CVBS	10	Przewód zasilania prądem stałym (DC)
5	Wejście audio	11	Ethernet
6	Wyjście audio		

Symbole i oznaczenia

	Uwaga		i. Akcesoria przeznaczone tylko dla określonych modeli. ii. Różne ilości i rodzaje. iii. Pomiń ten krok, jeżeli nie jest wymagany.
	Ostrzeżenie		Karta microSD
	Zabronione		Masa/uziemienie
	Prawidłowo		Utylizacja
	Nieprawidłowo		Nabywane oddzielnie
	Przejdź do strony A i kontynuuj.		Inne sytuacje

Aktywacja i dostęp do kamery sieciowej

Zeskanuj kod QR, aby aktywować kamerę sieciową i uzyskać dostęp do niej. Jeżeli sieć Wi-Fi jest niedostępna, mogą być pobierane opłaty za transmisję danych w sieci komórkowej.



Aktywacja i dostęp
do kamery sieciowej

Resetowanie kamery

Naciśnij przycisk resetowania i przytrzymaj go przez około 10 sekund podczas włączania zasilania lub ponownego uruchamiania kamery, aby przywrócić ustawienia domyślne, takie jak nazwa użytkownika, hasło, adres IP lub numer portu.

Podręcznik użytkownika i często zadawane pytania

Aby uzyskać szczegółowe instrukcje, zeskanuj kod QR i skorzystaj z **podręcznika użytkownika**. Funkcje są zależne od modelu kamery. Aby uzyskać informacje referencyjne, skorzystaj z dokumentacji danego produktu.



Dwuzakresowa sieciowa
kamera tubowa



Termowizyjna
sieciowa kamera
tubowa



Często zadawane
pytania

Informacje prawne

Zastrzeżenia prawne

W PEŁNYM ZAKRESIE DOZWOLONYM PRZEZ
OBOWIĄZUJĄCE PRAWO TEN PODRĘCZNIK,
OPISANY PRODUKT I ZWIĄZANE Z NIM
WYPOSAŻENIE ORAZ OPROGRAMOWANIE
APLIKACYJNE I UKŁADOWE SĄ UDOSTĘPNIANE

NA ZASADACH „AS IS” BEZ GWARANCJI BRAKU
USTEREK I BŁĘDÓW („WITH ALL FAULTS AND
ERRORS”). FIRMA HIKMICRO NIE UDZIELA
ŻADNYCH WYRAŹNYCH ANI DOROZUMIANYCH
GWARANCJI, TAKICH JAK GWARANCJE
DOTYCZĄCE PRZYDATNOŚCI HANDLOWEJ,
JAKOŚCI LUB PRZYDATNOŚCI DO OKREŚLONEGO

CELU. UŻYTKOWNIK KORZYSTA Z PRODUKTU NA WŁASNE RYZYKO. NIEZALEŻNIE OD OKOLICZNOŚCI FIRMA HIKMICRO NIE PONOSI ODPOWIEDZIALNOŚCI ZA STRATY SPECJALNE, NASTĘPCZE, UBOCZNE LUB POŚREDNIE, TAKIE JAK STRATA OCZEKIWANYCH ZYSKÓW Z DZIAŁALNOŚCI BIZNESOWEJ, PRZERWY W DZIAŁALNOŚCI BIZNESOWEJ, USZKODZENIE SYSTEMÓW ALBO STRATA DANYCH LUB DOKUMENTACJI, WYNIKAJĄCE Z NARUSZENIA UMOWY, PRZEWINIENIA (ŁĄCZNIE Z ZANIEDBANIEM), ODPOWIEDZIALNOŚCI ZA PRODUKT LUB INNYCH OKOLICZNOŚCI, ZWIĄZANE Z UŻYCIEM TEGO PRODUKTU, NAWET JEŻELI FIRMA HIKMICRO ZOSTAŁA POINFORMOWANA O MOŻLIWOŚCI WYSTĄPIENIA TAKICH SZKÓD LUB STRAT. UŻYTKOWNIK PRZYJMUJE DO WIADOMOŚCI, ŻE KORZYSTANIE Z INTERNETU JEST ZWIĄZANE Z ZAGROŻENIAMI DLA BEZPIECZEŃSTWA, A FIRMA HIKMICRO NIE PONOSI ODPOWIEDZIALNOŚCI ZA NIEPRAWIDŁOWE FUNKCJONOWANIE, WYCIEK POUFNYCH INFORMACJI LUB INNE SZKODY WYNIKAJĄCE Z ATAKU CYBERNETYCZNEGO, ATAKU HAKERA, DZIAŁANIA WIRUSÓW LUB INNYCH ZAGROŻEŃ DLA BEZPIECZEŃSTWA W INTERNECIE. FIRMA HIKMICRO ZAPEWNI JEDNAK POMOC TECHNICZNĄ W ODPOWIEDNIM CZASIE, JEŻELI BĘDZIE TO WYMAGANE. UŻYTKOWNIK ZOBOWIĄZUJE SIĘ DO KORZYSTANIA Z PRODUKTU ZGODNIE Z PRZEPISAMI I PRZYJMUJE DO WIADOMOŚCI, ŻE JEST ZOBOWIĄZANY DO ZAPEWNIENIA ZGODNOŚCI UŻYCIA PRODUKTU Z PRZEPISAMI. W SZCZEGÓLNOŚCI UŻYTKOWNIK JEST ZOBOWIĄZANY DO KORZYSTANIA Z PRODUKTU W SPOSÓB, KTÓRY NIE NARUSZA PRAW STRON TRZECICH, DOTYCZĄCYCH NA PRZYKŁAD WIZERUNKU KOMERCYJNEGO, WŁASNOŚCI INTELEKTUALNEJ LUB OCHRONY DANYCH I PRYWATNOŚCI. UŻYTKOWNIK NIE BĘDZIE UŻYWAĆ PRODUKTU DO CELÓW ZABRONIONYCH, TAKICH JAK OPRACOWANIE LUB PRODUKCJA BRONI MASOWEGO RAŻENIA ALBO BRONI CHEMICZNEJ LUB BIOLOGICZNEJ ORAZ DZIAŁANIA ZWIĄZANE Z WYBUCHOWYMI MATERIAŁAMI NUKLEARNYMI, NIEBEZPIECZNYM NUKLEARNYM CYKLEM PALIWOWYM LUB ŁAMANIEM PRAW CZŁOWIEKA. W PRZYPADKU NIEZGODNOŚCI NINIEJSZEGO PODRĘCZNIKA Z OBOWIĄZUJĄCYM PRAWEM WYŻSZY PRIORYTET BĘDZIE MIAŁO OBOWIĄZUJĄCE PRAWO.

Informacje dotyczące przepisów

Te klauzule dotyczą tylko produktów z odpowiednimi oznaczeniami lub etykietami.

Deklaracja zgodności z dyrektywami UE



Ten produkt i ewentualnie dostarczone razem z nim akcesoria oznaczono symbolem „CE” potwierdzającym

zgodność z odpowiednimi ujednoliconymi normami europejskimi, uwzględnionymi w dyrektywie 2014/30/EU (EMCD) i dyrektywie 2011/65/EU (RoHS).

Uwaga: Produkty przystosowane do napięcia wejściowego 50 – 1000 V AC lub 75 – 1500 V DC są zgodne z dyrektywą 2014/35/EU (LVD), a pozostałe produkty są zgodne z dyrektywą 2001/95/EC (GPSD). Należy sprawdzić specyfikacje zasilania urządzenia.

Ostrzeżenie: To jest produkt klasy A. W budynkach mieszkalnych ten produkt może powodować zakłócenia radiowe. W takich okolicznościach użytkownik może być zobowiązany do zastosowania adekwatnych środków zaradczych.



Dyrektywa 2012/19/EU w sprawie zużytego sprzętu elektrycznego i elektronicznego (WEEE):

Produktów oznaczonych tym symbolem nie wolno utylizować na obszarze Unii Europejskiej jako niesegregowane odpady komunalne. Aby zapewnić prawidłowy recykling tego produktu, należy zwrócić go do lokalnego dostawcy przy zakupie równoważnego nowego urządzenia lub utylizować go w wyznaczonym punkcie selektywnej zbiórki odpadów. Aby uzyskać więcej informacji, skorzystaj z witryny internetowej www.recyclethis.info.



Dyrektywa 2006/66/EC w sprawie baterii i akumulatorów i zmieniająca ją dyrektywa 2013/56/EU: Ten produkt

zawiera baterię, której nie wolno utylizować na obszarze Unii Europejskiej jako niesegregowane odpady komunalne. Szczegółowe informacje dotyczące baterii zamieszczono w dokumentacji produktu. Bateria jest oznaczona tym symbolem, który może także zawierać litery wskazujące na zawartość kadmu (Cd), ołowiu (Pb) lub rtęci (Hg). Aby zapewnić prawidłowy recykling baterii, należy zwrócić ją do dostawcy lub przekazać do wyznaczonego punktu zbiórki. Aby uzyskać więcej informacji, skorzystaj z witryny internetowej www.recyclethis.info.

Zalecenia dotyczące bezpieczeństwa

Przed użyciem urządzenia należy przeczytać wszystkie zalecenia dotyczące bezpieczeństwa.

Przepisy i rozporządzenia

Produkt powinien być użytkowany zgodnie z rozporządzeniami dotyczącymi bezpiecznego korzystania z urządzeń elektrycznych, obowiązującymi w danym kraju lub regionie.

Transport

- Podczas transportu urządzenie powinno być umieszczone w oryginalnym lub podobnym opakowaniu.
- Należy zachować opakowanie urządzenia. W przypadku wystąpienia usterki urządzenia

należy zwrócić je do zakładu produkcyjnego w oryginalnym opakowaniu. Producent nie ponosi odpowiedzialności za uszkodzenie urządzenia na skutek transportu bez oryginalnego opakowania.

- Należy chronić urządzenie przed upadkiem lub udarami mechanicznymi. Należy chronić urządzenie przed zakłóceniami magnetycznymi.

Zasilanie

- Ładowarkę należy zakupić oddzielnie. Napięcie wejściowe powinno spełniać wymagania dotyczące źródeł zasilania z własnym ograniczeniem (LPS, 12 V DC) lub PoE (802.3af) zgodnie z normą IEC62368. Szczegółowe informacje zamieszczono w sekcji zawierającej dane techniczne.
- Należy upewnić się, że wtyczka jest prawidłowo podłączona do gniazda sieci elektrycznej.
- Gniazdo sieci elektrycznej powinno być zainstalowane w łatwo dostępnym miejscu w pobliżu urządzenia.
- NIE wolno podłączać wielu urządzeń do jednego zasilacza, ponieważ może to spowodować przegrzanie lub zagrożenie pożarowe na skutek przeciążenia.
- NIE wolno dotykać nieosłoniętych metalowych styków złączy wejściowych po uaktywnieniu wyłącznika automatycznego. W takiej sytuacji elementy urządzenia są wciąż pod napięciem.
- Symbol „+” oznacza dodatnie styki prądu stałego w urządzeniu. Symbol „-” oznacza ujemne styki prądu stałego w urządzeniu.

Bateria

- Zainstalowanie nieodpowiedniej baterii może spowodować wybuch. Zużyte baterie należy utylizować zgodnie z instrukcjami.
- Wbudowana bateria nie jest przystosowana do demontażu przez użytkownika. Jeżeli konieczne jest wykonanie naprawy, należy skontaktować się z producentem.
- Jeżeli bateria jest przechowywana przez dłuższy czas, należy naładować ją całkowicie co pół roku, aby zapewnić jej prawidłowy stan techniczny. Ignorowanie tego zalecenia może spowodować uszkodzenie.
- Urządzenie nie powinno być używane w lokalizacjach, w których mogą przebywać dzieci.
- Zainstalowanie nieodpowiedniej baterii może spowodować zagrożenie (dotyczy to na przykład niektórych baterii litowych).
- Wrzucenie baterii do ognia lub rozgrzanego pieca albo zgniecenie lub przecięcie baterii może spowodować wybuch.
- Wysoka temperatura w otoczeniu może spowodować wybuch baterii albo wyciek palnej cieczy lub gazu.
- Ekstremalnie niskie ciśnienie powietrza w otoczeniu może spowodować wybuch baterii albo wyciek palnej cieczy lub gazu.

Oświetlenie pomocnicze

- ⚠ Zgodnie z klasyfikacją wiązka światła na dystansie 200 mm należy do grupy ryzyka Risk Group 2 (RG2). Produkt emituje światło widzialne, które może być szkodliwe.
- NIE wolno spoglądać bezpośrednio w wiązkę światła. Może to spowodować uszkodzenie wzroku.
- Należy korzystać z odpowiednich środków ochrony oczu albo włączać oświetlenie dodatkowe tylko w bezpiecznej odległości (2,9 m) lub w lokalizacji, która nie jest bezpośrednio narażona na intensywne światło podczas instalacji lub konserwacji urządzenia.

Instalacja

- Nie wolno instalować urządzenia na niestabilnym podłożu. Urządzenie może upaść i spowodować poważne zranienie lub zgon.
- To urządzenie powinno być używane wyłącznie z odpowiednimi uchwytami. Użycie innych uchwytów (wózków lub statywów) może spowodować zranienie na skutek niestabilności urządzenia.

Zabezpieczenia systemu

- Użytkownik przyjmuje do wiadomości, że korzystanie z Internetu jest związane z zagrożeniami dla bezpieczeństwa, a nasza firma nie ponosi odpowiedzialności za nieprawidłowe funkcjonowanie, nieautoryzowane ujawnienie poufnych informacji albo inne szkody wynikające z ataku cybernetycznego lub ataku hakera. Nasza firma zapewni jednak pomoc techniczną w odpowiednim czasie, jeżeli będzie to wymagane.
- Należy chronić dane osobowe po połączeniu urządzenia z Internetem. Jeżeli występują zagrożenia urządzenia w sieci, należy skontaktować się z producentem.
- Użytkownik jest zobowiązany do skonfigurowania wszystkich haseł i ustawień zabezpieczeń urządzenia oraz ochrony własnej nazwy użytkownika i hasła.


Konserwacja

- Jeżeli produkt nie działa prawidłowo, skontaktuj się z dystrybutorem lub najbliższym centrum serwisowym. Producent nie ponosi odpowiedzialności za problemy spowodowane przez nieautoryzowane prace naprawcze lub konserwacyjne.
- Konieczna jest regularna wymiana kilku podzespołów urządzenia (np. kondensatora elektrolitycznego). Przeciętny okres użytkowania może być różny, dlatego zalecane jest regularne sprawdzanie stanu technicznego podzespołów. Aby uzyskać więcej informacji, należy skontaktować się z dystrybutorem.
- Należy przetrzeć urządzenie ostrożnie czystą ściereczką zwilżoną niewielką ilością etanolu, jeżeli jest to konieczne.

- Użycie urządzenia niezgodnie z zaleceniami może spowodować anulowanie gwarancji producenta.
- Aby ograniczyć zagrożenie pożarowe, należy używać bezpieczników tego samego typu i o takich samych parametrach znamionowych.
- Złącze szeregowo urządzenia jest używane wyłącznie do debugowania.

Warunki otoczenia

- Należy upewnić się, że warunki otoczenia spełniają wymagania określone przez producenta urządzenia. Podczas użytkowania urządzenia temperatura otoczenia powinna wynosić od -40°C do +70°C, a wilgotność powietrza powinna wynosić od 5% do 95%.
- Urządzenie należy umieścić w suchym i odpowiednio wentylowanym miejscu.
- Należy chronić urządzenie przed silnym promieniowaniem elektromagnetycznym oraz kurzem i pyłem.
- NIE wolno kierować obiektywu w stronę słońca lub innego źródła intensywnego światła.
- Nie wolno dopuścić do rozlania cieczy na urządzeniu. Nie wolno ustawiać na urządzeniu naczyń napełnionych cieczą, takich jak wazy.
- Nie wolno umieszczać na urządzeniu źródeł nieosłoniętego płomienia, takich jak zapalone świece.
- Należy zapewnić tłumienie uderzeń elektrycznych przy otwarciu urządzenia w specjalnych warunkach takich jak szczyt wzgórza, wieża z elementów stalowych lub las.

- Dotknięcie gorących podzespołów, oznaczonych symbolem , może spowodować oparzenie palców. Po wyłączeniu zasilania należy odczekać pół godziny przed dotknięciem elementów urządzenia.

Poważne awarie

- Jeżeli urządzenie wydziela dym lub intensywny zapach albo emituje hałas, należy niezwłocznie wyłączyć zasilanie i odłączyć przewód zasilający, a następnie skontaktować się z centrum serwisowym.

Adres producenta

Lokal 313, Kompleks B, Budynek 2, Ulica 399 Danfeng Road, Region dystryktu Xixing, Dystrykt Binjiang, Hangzhou, Zhejiang 310052, Chiny Hangzhou Microimage Software Co., Ltd.

UWAGA DOTYCZĄCA ZGODNOŚCI Z PRZEPISAMI:



Produkty termowizyjne mogą podlegać kontroli eksportu w różnych krajach lub regionach, takich jak Stany Zjednoczone, Wielka Brytania lub kraje członkowskie Unii Europejskiej, które sygnowały porozumienie Wassenaar. Jeżeli planowane jest przesyłanie, eksportowanie lub reeksportowanie produktów termowizyjnych przez granice państw, należy skonsultować się z ekspertem w dziedzinie prawa lub zgodności z przepisami albo lokalnymi urzędami administracji państwowej, aby uzyskać informacje dotyczące wymaganej licencji eksportowej.











Română

Cabluri și interfață

Nr.	Funcție	Nr.	Funcție
1	Butonul de resetare	7	Cablu de alarmă 2
2	Card de memorie	8	Cablu de alarmă 1
3	Depanare port serial	9	Cablu RS-485
4	Cablu CVBS	10	Cablu de alimentare c.c.
5	Intrare audio	11	Ethernet
6	Ieșire audio		

Simboluri și marcaje

	Notificare		ii. Accesorii aplicabile numai pentru unele modele. ii. Tipuri și cantități variabile.
---	------------	---	---

			iii. Omiteți acest pas dacă nu este necesar.
	Avertisment	microSD 	Card MicroSD
	Interzis		Împământare
	Corect		Eliminarea
	Incorect		Cumpărați separat
	Mergeți la pagina A și continuați.		Alte situații

Activați și accesați camera de rețea

Scanați codul QR pentru a obține activarea și accesul la camera de rețea. Vă rugăm să rețineți că pot fi aplicate taxe pentru utilizarea datelor mobile dacă Wi-Fi nu este disponibil.



Activați și accesați camera de rețea

Resetați și restabiliți camera

Apăsați butonul de resetare timp de aproximativ 10 s când camera pornește sau repornește pentru a restabili setările implicite, inclusiv numele de utilizator, parola, adresa IP, nr. portului etc.

Manual de utilizare și întrebări frecvente

Pentru instrucțiuni mai detaliate, scanați codul QR de mai jos pentru a consulta **manualul de utilizare**. Funcția poate varia în funcție de diferitele modele de cameră. Vă rugăm să luați drept referință produsul actual.



Camera termorezistentă de tip bullet rețea bi-spectrală



Cameră termică de rețea, de tip bullet



ÎNTREBĂRI FRECVENTE

Informații juridice

Declinarea responsabilității

ÎN MĂSURA MAXIMĂ PERMISĂ DE LEGISLAȚIA APLICABILĂ, ACEST MANUAL ȘI PRODUSUL DESCRIS, ÎMPREUNĂ CU HARDWARE-UL, SOFTWARE-UL ȘI FIRMWARE-UL SĂU, SUNT FURNIZATE „CA ATARE” ȘI „CU TOATE DEFECTELE ȘI ERORILE”. HIKMICRO NU OFERĂ GARANȚII, EXPLICITE SAU IMPLICITE, INCLUSIV, FĂRĂ LIMITARE, VANDABILITATE, CALITATE SATISFĂCĂTOARE SAU ADECVARE PENTRU UN ANUMIT SCOP. UTILIZAREA PRODUSULUI DE CĂTRE DVS. ESTE PE PROPRIUL RISC. ÎN NICIUN CAZ HIKMICRO NU VA FI RĂSPUNZĂTOR FAȚĂ DE DVS. PENTRU ORICE DAUNE SPECIALE, CONSECVENTE, ACCIDENTALE SAU INDIRECTE, INCLUSIV, PRINTRE ALTELE, DAUNE PENTRU PIERDEREA PROFITURILOR DE AFACERI, ÎNTRERUPEREA AFACERII, SAU PIERDEREA DATELOR, CORUPȚIA SISTEMELOR SAU PIERDEREA DOCUMENTAȚIEI, FIE CĂ SE BAZEAZĂ PE ÎNCĂLCAREA CONTRACTULUI, DELICT (INCLUSIV NEGLIJENȚĂ), RĂSPUNDEREA PRODUSULUI SAU ÎN ALT MOD, ÎN LEGĂTURĂ CU UTILIZAREA PRODUSULUI, CHIAR DACĂ HIKMICRO A FOST INFORMAT CU PRIVIRE LA POSIBILITATEA UNOR ASTFEL DE DAUNE SAU PIERDERI. RECUNOAȘTEȚI CĂ NATURA INTERNETULUI ASIGURĂ RISCURI DE SECURITATE INERENTE, IAR HIKMICRO NU ÎȘI ASUMĂ NICIO RESPONSABILITATE PENTRU FUNCȚIONAREA ANORMALĂ, SCURGERI DE CONFIDENȚIALITATE SAU ALTE DAUNE REZULTATE DIN ATACURILE CIBERNETICE, ATACURILE HACKERILOR, INFECȚIILOR CU VIRUȘI SAU ALTE RISCURI DE SECURITATE PE INTERNET; CU TOATE ACESTE, HIKMICRO VA OFERI ASISTENȚĂ TEHNICĂ ÎN TIMP UTIL, DACĂ ESTE NECESAR. SUNTEȚI DE ACORD SĂ UTILIZAȚI ACEST PRODUS ÎN CONFORMITATE CU TOATE LEGILE APLICABILE ȘI VĂ REVINE ÎN ÎNTREGIME RESPONSABILITATEA DE A VĂ ASIGURA CĂ UTILIZAREA DVS. ESTE ÎN CONFORMITATE CU LEGISLAȚIA APLICABILĂ. ÎN SPECIAL, SUNTEȚI RESPONSABIL(Ă) PENTRU UTILIZAREA ACESTUI PRODUS ÎNTR-UN MOD CARE NU ÎNCALCĂ DREPTURILE TERȚILOR, INCLUSIV,

DAR FĂRĂ A SE LIMITA LA DREPTURILE DE PUBLICITATE, DREPTURILE DE PROPRIETATE INTELECTUALĂ SAU PROTECȚIA DATELOR ȘI ALTE DREPTURI DE CONFIDENȚIALITATE. NU VEȚI UTILIZA ACEST PRODUS PENTRU UTILIZĂRI FINALE INTERZISE, INCLUSIV PENTRU DEZVOLTAREA SAU PRODUCEREA DE ARME DE DISTRUGERE ÎN MASĂ, DEZVOLTAREA SAU PRODUCEREA DE ARME CHIMICE SAU BIOLOGICE, DESFĂȘURAREA ORICĂROR ACTIVITĂȚI ÎN CONTEXTUL ORICĂRUI EXPLOZIBIL NUCLEAR SAU AL UNUI CICLU DE PRODUCȚIE A UNUI COMBUSTIBIL NUCLEAR CARE NU PREZINTĂ SIGURANȚĂ SAU ÎN SPRIJINUL ÎNCĂLCĂRII DREPTURILOR OMULUI.

ÎN CAZUL UNOR CONFLICTE ÎNTRE ACEST MANUAL ȘI LEGEA APLICABILĂ, ACEASTA DIN URMĂ PREVALEAZĂ.

Informații de reglementare

Aceste clauze se aplică numai produselor care poartă marca sau informațiile corespunzătoare.

Declarație de conformitate UE



Acest produs și – dacă este cazul – accesoriile furnizate sunt marcate cu „CE” și, prin urmare, sunt conforme cu standardele europene armonizate aplicabile enumerate în Directiva 2014/30/UE (EMCD) și Directiva 2011/65/UE (RoHS).

Notă: Produsele cu o tensiune de intrare cuprinsă între 50 și 1000 V c.a. sau 75 și 1500 V c.c. sunt conforme cu Directiva 2014/35/UE (LVD), iar restul produselor sunt conforme cu Directiva 2001/95/CE (GPSD). Verificați informațiile specifice privind sursa de alimentare pentru referință.

Avertisment: Acesta este un produs Clasa A. Într-un mediu casnic, acest produs poate cauza interferențe radio, iar în acest caz, utilizatorul poate fi obligat să ia măsuri adecvate.



Directiva 2012/19/UE (directiva DEEE): Produsele marcate cu acest simbol nu pot fi eliminate ca deșeuri municipale nesortate în Uniunea Europeană. Pentru o reciclare adecvată, returnați acest produs furnizorului local la achiziționarea unui echipament nou echivalent sau predați-l într-unul dintre

punctele de colectare desemnate. Pentru mai multe informații, consultați: www.recyclethis.info.



Directiva 2006/66/CE și directiva de modificare a acesteia 2013/56/UE (directiva privind bateriile): Acest produs conține o baterie care nu poate fi eliminată ca deșeu municipal nesortat în Uniunea Europeană. Consultați documentația produsului pentru informații specifice despre baterie. Baterie este marcată cu acest simbol, care poate include litere pentru a indica cadmiul (Cd), plumbul (Pb) sau mercurul (Hg). Pentru o reciclare corectă, returnați bateria furnizorului dvs. sau la un punct de colectare desemnat. Pentru mai multe informații, consultați: www.recyclethis.info.

Informații privind siguranța

Vă rugăm să citiți cu atenție toate informațiile de siguranță înainte de utilizare.

Legi și reglementări

La utilizarea produsului, trebuie să respectați cu strictețe reglementările de siguranță electrică naționale și regionale.

Transport

- Păstrați dispozitivul în ambalajul original sau similar în timpul transportului.
- După dezambalare, păstrați toate ambalajele pentru o viitoare utilizare. În cazul în care a apărut vreun defect, trebuie să returnați dispozitivul în fabrică cu ambalajul original. Transportul fără ambalajul original poate duce la deteriorarea dispozitivului, iar compania nu își asumă nici o responsabilitate pentru aceasta.
- NU scăpați produsul și NU îl supuneți la șocuri fizice. Țineți dispozitivul departe de interferența magnetică.

Alimentare electrică

- Vă rugăm să cumpărați personal încărcătorul. Tensiunea de intrare trebuie să corespundă sursei limitate de putere cu 12 V c.c. sau PoE (802.3af) conform standardului IEC62368. Vă rugăm să consultați specificațiile tehnice pentru informații detaliate.
- Asigurați-vă că ștecherul este conectat corect la priza de curent.
- Priza de curent trebuie să fie instalată în apropierea echipamentului și trebuie să fie ușor accesibilă.
- NU conectați mai multe dispozitive la un adaptor de alimentare pentru a evita pericolul de supraîncălzire sau de incendiu.
- NU atingeți contactele metalice goale ale prizelor după ce întrerupătorul de circuit este oprit. Electricitatea mai este prezentă.
- + identifică terminalul (terminalele) pozitiv(e) al(e) echipamentului care este utilizat cu curent continuu sau care generează curent continuu. - identifică terminalul (terminalele) negativ(e) al(e) echipamentului care este utilizat cu curent continuu sau care generează curent continuu.

Baterie

- Risc de explozie dacă bateria este înlocuită cu una de tip incorect. Aruncați bateriile uzate în conformitate cu instrucțiunile.
- Bateria încorporată nu poate fi demontată. Vă rugăm să contactați producătorul pentru reparații, dacă este necesar.
- Pentru depozitarea pe termen lung a bateriei, asigurați-vă că aceasta este complet încărcată la fiecare jumătate de an pentru a asigura calitatea bateriei. În caz contrar, pot apărea daune.
- Acest echipament nu este adecvat pentru utilizarea în locații în care este posibil să fie prezenți copii.
- Înlocuirea necorespunzătoare a bateriei cu un tip incorect poate anula o protecție (de exemplu, în cazul unor tipuri de baterii cu litiu).
- Nu aruncați bateria în foc sau într-un cuptor încins și nici nu striviți sau tăiați mecanic bateria, deoarece aceasta poate provoca o explozie.
- NU lăsați bateria într-un mediu înconjurător cu temperaturi extrem de ridicate, ceea ce poate duce la o explozie sau la scurgerea de lichid sau gaz inflamabil.
- NU supuneți bateria la o presiune extrem de scăzută a aerului, care poate duce la o explozie sau la scurgerea de lichid sau gaz inflamabil.

Supliment de lumină

- ⚠ Fasciculul luminii la o distanță de 200 mm este clasificat ca făcând parte din grupul de risc 2 (GR2). Posibilă radiație optică periculoasă emisă de acest produs.
- NU priviți în sursa de lumină de operare. Poate fi dăunătoare pentru ochi.
- Purtați echipament de protecție a ochilor adecvat sau aprindeți sursa de lumină suplimentară numai la o distanță sigură (2,9 m) sau în zona care nu este expusă direct luminii atunci când instalați sau întrețineți dispozitivul.

Instalare

- Nu așezați niciodată echipamentul într-un loc instabil. Echipamentul poate cădea, provocând vătămări corporale grave sau chiar moartea.
- Acest echipament este destinat utilizării numai cu suporturile corespunzătoare. Utilizarea cu alte suporturi (cărucioare, picioare de sprijin sau alte suporturi) poate duce la instabilitate și poate provoca vătămări.

Securitatea sistemului

- Recunoașteți că natura internetului implică riscuri de securitate inerente, iar compania noastră nu își asumă nicio responsabilitate pentru funcționarea anormală, scurgerea de informații private sau alte daune rezultate în urma unui atac cibernetic sau a unui atac al hackerilor; cu toate acestea, compania noastră va oferi asistență tehnică în timp util, dacă este necesar.
- Vă rugăm să asigurați protecția informațiilor personale și securitatea datelor, deoarece dispozitivul se poate confrunta cu probleme de

securitate a rețelei atunci când este conectat la internet. Vă rugăm să ne contactați în cazul în care dispozitivul ar putea prezenta riscuri de securitate a rețelei.

- Vă rugăm să înțelegeți că aveți responsabilitatea de a configura toate parolele și alte setări de securitate ale dispozitivului și de a vă păstra numele de utilizator și parola.

Întreținere

- În cazul în care produsul nu funcționează corect, vă rugăm să contactați dealerul sau cel mai apropiat centru de service. Nu ne asumăm nicio responsabilitate pentru problemele cauzate de reparații sau întreținere neautorizate.
- Câteva componente ale dispozitivului (de exemplu, condensator electrolitic) necesită înlocuirea regulată. Durata medie de viață variază, deci se recomandă verificarea periodică. Contactați distribuitorul pentru detalii.
- Ștergeți ușor aparatul cu o cârpă curată și o cantitate mică de etanol, dacă este necesar.
- În cazul în care echipamentul este utilizat într-un mod care nu este specificat de producător, protecția oferită de dispozitiv poate fi afectată.
- Pentru a reduce riscul de incendiu, înlocuiți numai cu siguranță de același tip și cu același curent nominal.
- Portul serial al echipamentului este utilizat doar pentru depanare.

Utilizarea mediului

- Asigurați-vă că mediul de funcționare îndeplinește cerințele dispozitivului. Temperatura de funcționare trebuie să fie cuprinsă între -40 °C și 70 °C (între -40 °F și 158 °F), iar umiditatea trebuie să fie între 5% și 95%.
- Așezați dispozitivul într-un mediu uscat și bine ventilat.
- NU expuneți dispozitivul la radiații electromagnetice ridicate sau în medii cu prof .

- NU îndreptați obiectivul la soare sau la orice altă lumină strălucitoare.
- Echipamentul nu trebuie să fie expus la picurare sau stropire și nu trebuie să fie așezate pe el obiecte pline cu lichide, cum ar fi vase.
- Nu trebuie plasate pe echipament surse de flacără goală, cum ar fi lumânările aprinse.
- Furnizați un supresor de supratensiune la deschiderea de admisie a echipamentului în condiții speciale, cum ar fi vârful muntelui, turnul de fier și pădurea.
- Arderea degetelor la manipularea pieselor cu simbolul ⚠. Așteptați o jumătate de oră după deconectare înainte de a manipula piesele.

Urgență

- Dacă de la dispozitiv apar fum, miros sau zgomot, opriți imediat alimentarea, deconectați cablul de alimentare și contactați centrul de service.

Adresa de fabricație

Camera 313, Unitatea B, Clădirea 2, 399 Danfeng Road, subdistrictul Xixing, districtul Binjiang, Hangzhou, Zhejiang 310052, China
Hangzhou Microimage Software Co., Ltd.













NOTIFICARE DE CONFORMITATE: Produsele din seria termică pot fi supuse controalelor exporturilor în diferite țări sau regiuni, inclusiv, fără limitare, Statele Unite ale Americii, Uniunea Europeană, Regatul Unit și/sau alte țări membre ale Aranjamentului de la Wassenaar. Vă rugăm să consultați expertul juridic sau de conformitate profesional sau autoritățile administrației locale pentru orice cerințe necesare privind licența de export dacă intenționați să transferați, să exportați, să reexportați produsele din seria termică între diferite țări.

Slovenčina

Kábel a rozhranie

Číslo	Funkcia	Číslo	Funkcia
1	Tlačidlo obnovenia nastavení	7	Kábel alarmu 2
2	Pamäťová karta	8	Kábel alarmu 1
3	Sériový ladiaci port	9	Kábel RS-485
4	Kábel CVBS	10	Napájací kábel DC
5	Zvukový vstup	11	Ethernet
6	Zvukový výstup		

Symoly a značky

	Poznámka		i. Príslušenstvo sa vzťahuje len na niektoré modely. ii. Rozličné typy a množstvá. iii. Tento krok je možné vynechať, ak nie je nutný.
	Upozornenie	microSD 	Karta MicroSD
	Zakázané		Uzemnenie
	Správne		Likvidácia
	Nesprávne		Kupuje sa samostatne
	Otočte na stranu A a pokračujte.		Iné situácie

Aktivácia a prístup k sieťovej kamere

Naskenujte kód QR, aby ste aktivovali sieťovú kameru a získali k nej prístup. Berte na vedomie, že to môže podliehať poplatkom za mobilné dáta, ak nie je k dispozícii sieť Wi-Fi.



Aktivácia a prístup
k sieťovej kamere

Resetovanie a obnovenie kamery

Stlačte tlačidlo resetovania a podržte asi 10 s, keď sa kamera zapína alebo reštartuje, tým sa obnovia predvolené nastavenia vrátane mena používateľa, hesla, adresy IP, čísla portu atď.

Používateľská príručka a najčastejšie otázky

Ak potrebujete podrobnejšie pokyny, naskenujte kód QR nižšie a vyhľadajte si ich v **návode na používanie**. Tieto funkcie sa môžu líšiť podľa rôznych modelov kamier. Ako referencia poslúži daný produkt.



Bispektrálna sieťová
tubusová kamera



Sieťová tubusová
termokamera



Najčastejšie otázky

Právne informácie

Odmietnutie zodpovednosti

V MAXIMÁLNO M MOŽNOM ROZSAHU, KTORÝ POVOĽUJÚ PRÍSLUŠNÉ PRÁVNE PREDPISY, SA TÁTO PRÍRUČKA A OPÍSANÝ PRODUKT SPOLU S JEHO HARDVÉROM, SOFTVÉROM A FIRMVÉROM, DODÁVAJÚ V STAVE „AKO SÚ“ A „SO VŠETKÝMI PORUCHAMI A CHYBAMI“. SPOLOČNOSŤ HIKMICRO NEPOSKYTUJE ŽIADNE VÝSLOVNÉ ANI PREDPOKLADANÉ ZÁRUKY, OKREM INÉHO O PREDAJNOSTI, USPOKOJIVEJ KVALITE ALEBO VHODNOSTI NA KONKRÉTNY ÚČEL. POUŽÍVANIE PRODUKTU JE NA VAŠE VLASTNÉ RIZIKO. SPOLOČNOSŤ HIKMICRO V ŽIADNOM PRÍPADE NENESIE ZODPOVEDNOSŤ ZA ŽIADNE OSOBNÉ, NÁSLEDNÉ, NÁHODNÉ ALEBO NEPRIAME ŠKODY, OKREM INÉHO VRÁTANE ŠKÔD Z UŠLÉHO PODNIKATEĽSKÉHO ZISKU, PRERUŠENIA PODNIKANIA, STRATY ÚDAJOV, POŠKODENIA SYSTÉMOV ALEBO STRATY DOKUMENTÁCIE, ČI UŽ NA ZÁKLADE PORUŠENIA ZMLUVY, PREČINU (VRÁTANE NEDBALOSTI), ZODPOVEDNOSTI ZA PRODUKT ALEBO INAK V SÚVISLOSTI S POUŽÍVANÍM PRODUKTU, A TO ANI V PRÍPADE, AK BOLA SPOLOČNOSŤ HIKMICRO UPOZORNENÁ NA MOŽNOSŤ TAKÝCHTO ŠKÔD. UZNÁVATE, ŽE Z POVAHY INTERNETU VYPLÝVAJÚ INHERENTNÉ BEZPEČNOSTNÉ RIZIKÁ A SPOLOČNOSŤ HIKMICRO NENESIE ŽIADNU ZODPOVEDNOSŤ ZA NEŠTANDARDNÚ PREVÁDZKU, ÚNIK OSOBNÝCH ÚDAJOV ANI ZA INÉ ŠKODY V DÔSLEDKU KYBERNETICKÉHO ÚTOKU, HAKERSKÉHO ÚTOKU, VÍRUSOVEJ INFEKcie ALEBO INÝCH BEZPEČNOSTNÝCH RIZÍK SIETE INTERNET; V PRÍPADE POTREBY VŠAK SPOLOČNOSŤ HIKMICRO POSKYTNE VČASNÚ TECHNICKÚ PODPORU. SÚHLASÍTE S POUŽÍVANÍM TOHTO PRODUKTU V SÚLADE SO VŠETKÝMI PRÍSLUŠNÝMI ZÁKONMI A

NESIETE VÝHRADNÚ ZODPOVEDNOSŤ ZA ZABEZPEČENIE, ABY VAŠE POUŽÍVANIE BOLO V SÚLADE S PRÍSLUŠNÝMI ZÁKONMI. STE OBZVLÁŠŤ ZODPOVEDNÍ ZA POUŽÍVANIE TOHTO PRODUKTU SPÔSOBOM, KTORÝ NEPORUŠUJE PRÁVA TRETÍCH STRÁN, OKREM INÉHO PRÁVA PUBLICITY, PRÁVA DUŠEVNÉHO VLASTNÍCTVA, PRÁVA NA OCHRANU ÚDAJOV A INÉ PRÁVA NA OCHRANU SÚKROMIA. TENTO PRODUKT NESMIETE POUŽÍVAŤ NA ŽIADNE ZAKÁZANÉ ÚČELY VRÁTANE VÝVOJA ALEBO VÝROBY ZBRANÍ HROMADNÉHO NIČENIA, VÝVOJA ALEBO VÝROBY CHEMICKÝCH ALEBO BIOLOGICKÝCH ZBRANÍ, AKÝCHKOL'VEK AKTIVÍT V SÚVISLOSTI S AKOUKOL'VEK JADROVOU VÝBUŠNINOU ALEBO NEBEZPEČNÝM CYKLOM JADROVÉHO PALIVA, ALEBO NA PODPORU ZNEUŽÍVANIA ĽUDSKÝCH PRÁV. V PRÍPADE AKÉHOKOL'VEK NESÚLADU MEDZI TOUTO PRÍRUČKOU A PRÍSLUŠNÝMI PRÁVNÝMI PREDPISMI MAJÚ PREDNOSŤ PRÍSLUŠNÉ PRÁVNE PREDPISY.

Regulačné informácie

Tieto ustanovenia platia len pre produkty s príslušným označením alebo údajom.

Vyhlásenie o zhode s predpismi EÚ



Tento produkt a dodané príslušenstvo, ak je to relevantné, sú takisto označené značkou „CE“, takže sú v súlade s príslušnými harmonizovanými európskymi normami uvedenými v smernici 2014/30/EÚ (EMCD) a smernici 2011/65/EÚ (RoHS).

Poznámka: Produkty so vstupným napätím v rozsahu 50 až 1000 V striedavého prúdu alebo 75 až 1500 V jednosmerného prúdu sú v súlade so smernicou 2014/35/EÚ (LVD) a ostatné produkty sú v súlade so smernicou 2001/95/ES (GPSD). Prečítajte si informácie o konkrétnom zdroji

napájania.

Upozornenie: Toto je produkt triedy A. V domácom prostredí môže tento produkt spôsobovať rádiové rušenie, v takom prípade sa od používateľa môže vyžadovať, aby prijal primerané opatrenia.



Smernica 2012/19/EÚ (smernica o odpade z elektrických a elektronických zariadení): Produkty označené týmto symbolom sa v rámci

Európskej únie nesmú likvidovať spolu s netriedeným komunálnym odpadom. Po zakúpení ekvivalentného nového zariadenia zrecyklujte produkt tým, že ho odovzdáte miestnemu dodávateľovi alebo ho zlikvidujete na určených zberných miestach. Ďalšie informácie nájdete na lokalite: www.recyclethis.info.



Smernica 2006/66/ES a príslušné doplnenia 2013/56/EÚ (smernica o batériách): Tento produkt obsahuje

batériu, ktorá sa v rámci Európskej únie nesmie likvidovať spolu s netriedeným komunálnym odpadom. Konkrétne informácie o batérii nájdete v dokumentácii produktu. Batéria je označená týmto symbolom, ktorý môže obsahovať písmená označujúce obsah kadmia (Cd), olova (Pb) alebo ortuti (Hg). Zrecyklujte batériu tým, že ju odovzdáte dodávateľovi alebo ju zlikvidujete na určenom zbernom mieste. Ďalšie informácie nájdete na lokalite: www.recyclethis.info.

Bezpečnostné informácie

Pred použitím si pozorne prečítajte všetky bezpečnostné informácie.

Právne predpisy a nariadenia

Pri používaní produktu je potrebné, aby ste dôsledne dodržiavali elektroinštalčné bezpečnostné predpisy platné na celoštátnej a regionálnej úrovni.

Preprava

- Pri preprave ponechajte zariadenie v pôvodnom alebo podobnom balení.
- Po rozbalení si všetky obaly odložte na budúce použitie. V prípade výskytu poruchy bude potrebné, aby ste zariadenie vrátili do výrobcovi v pôvodnom obale. Pri preprave bez pôvodného obalu môže dôjsť k poškodeniu zariadenia a spoločnosť za to nebude niesť žiadnu zodpovednosť.
- Chráňte zariadenie pred pádom alebo nárazom. Zariadenie chráňte pred magnetickým rušením.

Zdroj napájania

- Nabíjačku si zakúpte sami. Vstupné napätie musí spĺňať podmienky veľmi nízkeho zdroja napájania s 12 V DC alebo PoE (802.3af) podľa normy IEC62368. Podrobné informácie nájdete v technických špecifikáciách.
- Skontrolujte, či je zástrčka správne pripojená k napájacej zásuvke.
- Zásuvka sa musí nainštalovať v blízkosti zariadenia a musí byť ľahko dostupná.

- K jednému napájacímu adaptéru NEPRIPÁJAJTE viacero zariadení, aby nedošlo k prehriatiu alebo riziku požiaru v dôsledku preťaženia.
- Po vypnutí ističa sa NEDOTÝKAJTE neizolovaných kovových kontaktov vstupov. Stále je prítomný elektrický prúd.
- + označuje koncovky s kladnou polaritou v prípade zariadenia, s ktorým sa používa alebo ktoré vytvára jednosmerný prúd. – označuje koncovky so zápornou polaritou v prípade zariadenia, s ktorým sa používa alebo ktoré vytvára jednosmerný prúd.

Batéria

- Riziko výbuchu v prípade výmeny batérie za nesprávny typ. Použité batérie zlikvidujte podľa príslušných pokynov.
- Zabudovanú batériu nemožno rozoberať. V prípade potreby opravy sa obráťte na výrobcu.
- Pri dlhodobom uskladnení batériu každý polrok úplne nabite, čím zaistíte jej kvalitu. V opačnom prípade môže dôjsť k poškodeniu.
- Toto zariadenie nie je vhodné na používanie na miestach, na ktorých sa môžu vyskytovať deti.
- Pri nevhodnej výmene batérie za nesprávny typ sa môže deaktivovať bezpečnostný prvok (napríklad pri niektorých typoch lítiových batérií).
- Batériu nevkładajte do ohňa alebo horúcej rúry ani ju mechanicky nedrvtte ani nerezte, pretože by to mohlo spôsobiť výbuch.
- Batériu nenechávajte v prostredí s mimoriadne vysokou teplotou, čo môže viesť k výbuchu alebo úniku horľavých kvapalín alebo plynov.
- Batériu nevystavujte mimoriadne nízkemu tlaku vzduchu, čo môže viesť k výbuchu alebo úniku horľavých kvapalín alebo plynov.

Dodatočné svetlo

- ⚠️ Lúč svetla na vzdialenosť 200 mm je klasifikovaný ako riziková skupina 2 (RG2). Tento produkt môže vyžarovať nebezpečné optické žiarenie.
- NEPOZERAJTE sa do zapnutého zdroja svetla. Môže to poškodiť zrak.
- Pri inštalácii alebo údržbe zariadenia používajte vhodnú ochranu očí alebo zapnite doplnkové svetlo len v bezpečnej vzdialenosti (2,9 m) alebo v oblasti, ktorá nie je priamo vystavená svetlu.

Inštalácia

- Zariadenie nikdy neumiestňujte na nestabilné miesto. Zariadenie môže spadnúť, v dôsledku čoho môže dôjsť k vážnemu zraneniu alebo usmrteniu.
- Toto zariadenie je určené na použitie iba s príslušnými držiakmi. V prípade použitia s inými prvkami (vozíky, stojany alebo nosiče) môže dôjsť k nestabilite a možnému zraneniu.

Zabezpečenie systému

- Berte na vedomie, že internetové pripojenie ako také predstavuje bezpečnostné riziká a naša spoločnosť nepreberá zodpovednosť za nenormálnu činnosť, únik osobných údajov alebo

iné škody spôsobené kybernetickým útokom, hackerským útokom, avšak v prípade potreby poskytne naša spoločnosť včasnú technickú podporu.


- Po pripojení zariadenia na internet chráňte osobné údaje, pretože môže dôjsť k ohrozeniu zariadenia v dôsledku problémov so zabezpečením siete. Ak by zariadenie mohlo byť v sieťovom prostredí ohrozené, obráťte sa na výrobcu.
- Upozorňujeme, že ste zodpovední za konfiguráciu všetkých hesiel a ďalších bezpečnostných nastavení zariadenia a za uchovanie používateľského mena a hesla.

Údržba

- Ak produkt nepracuje správne, obráťte sa na predajcu alebo na najbližšie servisné stredisko. Nepreberáme žiadnu zodpovednosť za problémy spôsobené neoprávnenou opravou alebo údržbou.
- Niekoľko komponentov zariadenia (napr. elektrolytický kondenzátor) si vyžaduje pravidelnú výmenu. Priemerná doba životnosti sa líši, preto odporúčame pravidelnú kontrolu. So žiadosťou o ďalšie podrobnosti sa obráťte na predajcu.
- V prípade potreby zariadenie jemne utrite čistou handričkou a malým množstvom etanolu.
- Ak sa zariadenie používa spôsobom, ktorý výrobca neuvádza, môže dôjsť k zníženiu ochrany poskytovanej zariadením.
- S cieľom znížiť riziko požiaru vymeňte poistku len sa poistku rovnakého typu a parametrov.
- Sériový port na zariadení slúži len na servisné účely.

Prevádzkové prostredie

- Zabezpečte, aby prevádzkové prostredie spĺňalo požiadavky zariadenia. Prevádzková teplota musí byť v rozmedzí od -40 °C do 70 °C (-40 °F až 158 °F) a vlhkosť vzduchu musí byť od 5 % do 95 %.
- Zariadenie umiestnite v suchom a dobre vetranom prostredí.

- Zariadenie NEVYSTAVUJTE silnému elektromagnetickému žiareniu ani prašnému prostrediu.
- Šošovkou NEMIERTE na slnko ani na žiadny iný silný zdroj svetla.
- Zariadenie nesmie byť vystavené kvapkajúcim ani striekajúcim kvapalinám a na zariadenie sa nesmú umiestňovať žiadne predmety naplnené kvapalinou, napríklad vázy.
- Na zariadenie sa nesmú umiestňovať žiadne zdroje otvoreného ohňa, napríklad zapálené sviečky.
- V nezvyčajných podmienkach, napríklad na vrchole hory, na kovovej veži alebo v lese, zabezpečte vstupný otvor zariadenia ochranou proti prepätiu.
- Nebezpečenstvo popálenia prstov pri manipulácii s časťami so symbolom . Pred manipuláciou s jednotlivými časťami zariadenie vypnite a počkajte pol hodiny.

Núdzový režim

- Ak zo zariadenia vychádza dym, zápach alebo hluk, ihneď vypnite napájanie, odpojte napájací kábel a obráťte sa na servisné stredisko.

Adresa výrobcu

Miestnosť 313, Krídlo B, Budova 2, Ulica Danfeng 399, Obvod Xixing, Okres Binjiang, Hangzhou, Zhejiang 310052, Čína
Hangzhou Microimage Software Co., Ltd.

POZNÁMKA O SÚLADE S PREDPISMI: Produkty z radu teplocitlivých prístrojov môžu podliehať exportnej regulácii v rôznych krajinách alebo regiónoch vrátane napríklad Spojených štátov amerických, Európskej únie, Spojeného kráľovstva prípadne aj krajín Wassenaarskeho usporiadania. Ak máte v úmysle prenášať, exportovať alebo re-exportovať produkty z radu teplocitlivých prístrojov cez hranice medzi rôznymi krajinami, poraďte sa so svojim odborným expertom na legislatívu alebo súlad s predpismi alebo miestnymi úradmi verejnej správy, či existuje povinnosť mať exportné povolenie.

Bahasa Indonesia

Kabel dan Antarmuka

No.	Fungsi	No.	Fungsi
1	Tombol Reset	7	Kabel Alarm 2
2	Kartu Memori	8	Kabel Alarm 1
3	Port Seri Debugging	9	Kabel RS-485
4	Kabel CVBS	10	Kabel Daya DC

No.	Fungsi	No.	Fungsi
5	Masukan Suara	11	Ethernet
6	Keluaran Suara		

Simbol dan Tanda

	Pemberitahuan		<ul style="list-style-type: none"> i. Aksesori hanya dapat dipakai untuk beberapa model. ii. Tipe dan jumlah variabel. iii. Lewati langkah ini jika tidak diperlukan.
	Peringatan		Kartu microSD
	Dilarang		Pentanahan
	Benar		Pembuangan
	Salah		Dijual terpisah
	Buka halaman A dan lanjutkan.		Situasi lain

Mengaktifkan dan Mengakses Kamera Jaringan

Pindai kode QR untuk **Mengaktifkan dan Mengakses Kamera Jaringan**.

Perhatikan bahwa biaya data selular mungkin berlaku jika Wi-Fi tidak tersedia.



Mengaktifkan dan
Mengakses Kamera
Jaringan

Merest dan Memulihkan Kamera

Tekan tombol Reset selama kira-kira 10 detik ketika kamera menyala atau memulai ulang untuk memulihkan pengaturan default, termasuk nama pengguna, kata sandi, alamat IP, No. port, dll.

Manual Pengguna & Pertanyaan Umum

Untuk instruksi lebih lanjut, pindai kode QR di bawah ini untuk melihat **Manual Pengguna**. Fungsi dapat berbeda-beda sesuai model kamera. Gunakan produk aktual sebagai referensi.



Kamera Bullet Jaringan
Bi-spektrum



Kamera Bullet
Jaringan Termal



FAQ

Informasi Hukum

Penafian

SEPANJANG DIPERBOLEHKAN OLEH PERATURAN YANG BERLAKU, MANUAL INI DAN PRODUK YANG DIJELASKAN, BESERTA PERANGKAT KERAS, PERANGKAT LUNAK, DAN FIRMWARE, DISEDIAKAN "SEPERTI ADANYA" DAN "DENGAN SEMUA CACAT DAN KESALAHAN". HIKMICRO TIDAK MEMBERIKAN JAMINAN TERSURAT ATAUPUN TERSIRAT, TERMASUK TIDAK TERBATAS PADA, JAMINAN KOMERSIAL, KUALITAS MEMUASKAN, ATAUPUN KECOCOKAN UNTUK TUJUAN TERTENTU. PENGGUNAAN PRODUK OLEH ANDA ADALAH ATAS RISIKO ANDA SENDIRI. DALAM SEGALA HAL, HIKMICRO TIDAK BERTANGGUNG JAWAB KEPADA ANDA ATAS KERUSAKAN KHUSUS, IKUTAN, INSIDENTIL, ATAU TIDAK LANGSUNG, TERMASUK,

ANTARA LAIN, KERUGIAN AKIBAT HILANGNYA LABA USAHA, TERGANGGUNYA USAHA, ATAU HILANGNYA DATA, KERUSAKAN SISTEM, ATAU HILANGNYA DOKUMEN, BAIK BERDASARKAN PELANGGARAN ATAS KONTRAK, TINDAKAN MELAWAN HUKUM (TERMASUK KELALAIAN), KEWAJIBAN PRODUK, ATAU LAINNYA, TERKAIT PENGGUNAAN PERANGKAT LUNAK, MESKIPUN HIKMICRO SUDAH DIBERITAHU ADANYA POTENSI KERUSAKAN ATAU KERUGIAN SEMACAM ITU. ANDA MENGAKUI BAHWA SIFAT INTERNET MENGHADIRKAN RISIKO KEAMANAN TIDAK TERLIHAT, DAN HIKMICRO TIDAK BERTANGGUNG JAWAB ATAS ABNORMALITAS PENGOPERASIAN, KEBOCORAN PRIVASI, ATAU KERUSAKAN LAIN AKIBAT SERANGAN SIBER, SERANGAN PERETAS, INFeksi VIRUS, DAN RISIKO KEAMANAN INTERNET

LAINNYA; AKAN TETAPI, HIKMICRO AKAN MENYEDIAKAN DUKUNGAN TEKNIS SECARA BERKALA JIKA DIBUTUHKAN. ANDA SETUJU UNTUK MENGGUNAKAN PRODUK INI DENGAN MEMATUHI SEMUA PERATURAN YANG BERLAKU DAN ANDA SECARA PRIBADI BERTANGGUNG JAWAB MEMASTIKAN PENGGUNAAN OLEH ANDA MEMATUHI PERATURAN YANG BERLAKU. SECARA KHUSUS, ANDA BERTANGGUNG JAWAB MENGGUNAKAN PRODUK DENGAN CARA YANG TIDAK MELANGGAR HAK-HAK PIHAK KETIGA, TERMASUK TANPA BATASAN PADA, HAK PUBLISITAS, HAK KEKAYAAN INTELEKTUAL, ATAU PERLINDUNGAN DATA DAN HAK PRIVASI LAINNYA. ANDA DILARANG MENGGUNAKAN PRODUK UNTUK PENGGUNAAN AKHIR YANG DILARANG, TERMASUK PENGEMBANGAN ATAU PRODUKSI SENJATA PEMUSNAH MASSAL, PENGEMBANGAN ATAU PRODUKSI SENJATA KIMIA ATAU BIOLOGIS, AKTIVITAS YANG BERHUBUNGAN DENGAN BAHAN PELEDAK NUKLIR ATAU DAUR BAHAN BAKAR NUKLIR SECARA TIDAK AMAN ATAU UNTUK MENDUKUNG PELANGGARAN HAK ASASI MANUSIA.

JIKA TERJADI PERTENTANGAN ANTARA MANUAL INI DAN PERATURAN YANG BERLAKU, YANG DISEBUT TERAKHIR DIPRIORITASKAN.

Informasi Terkait Peraturan

Klausul ini hanya berlaku untuk produk yang memuat tanda atau informasi yang sesuai.

Pernyataan Kepatuhan UE



Produk ini dan, jika berlaku, juga aksesorinya yang disediakan mencantumkan tanda "CE" dan oleh

karena itu mematuhi standar Eropa yang diharmonisasi dan berlaku berdasarkan Direktif 2014/30/UE (EMCD) dan Direktif 2011/65/UE (RoHS).

Catatan: Produk dengan voltase masukan dalam rentang 50 hingga 1000 VAC atau 75 hingga 1500 VDC mematuhi Direktif 2014/35/UE (LVD), sementara produk lainnya mematuhi Direktif 2001/95/EC (GPSD). Harap memeriksa informasi catu daya spesifik sebagai referensi.

Peringatan: Produk ini merupakan produk kelas A. Di lingkungan rumah tinggal, produk ini dapat menimbulkan interferensi radio, dalam kondisi tersebut pengguna mungkin diharuskan untuk mengambil langkah-langkah yang memadai.



Direktif 2012/19/UE (WEEE Directive): Produk yang bertanda simbol ini tidak boleh dibuang sebagai sampah umum yang tidak disortir di wilayah Uni Eropa.

Agar dapat didaur ulang sesuai ketentuan, kembalikan produk ini ke toko terdekat saat Anda membeli peralatan pengganti yang baru, atau buang pada titik pengumpulan yang ditentukan.

Untuk informasi lebih lengkap, kunjungi: www.recyclethis.info.



Direktif 2006/66/EC dan amendemennya 2013/56/UE (Direktif Baterai): Produk ini berisi baterai yang tidak boleh dibuang sebagai sampah umum yang tidak disortir di wilayah Uni Eropa. Lihat dokumentasi produk untuk informasi spesifik tentang baterai. Baterai ini ditandai dengan simbol ini, yang mungkin disertai huruf untuk menandakan kadmium (Cd), timbal (Pb), atau merkuri (Hg). Agar dapat didaur ulang sesuai ketentuan, kembalikan baterai ke toko atau titik pengumpulan yang ditentukan. Untuk informasi lebih lengkap, kunjungi: www.recyclethis.info.

Informasi Keselamatan

Baca semua informasi keselamatan dengan teliti sebelum menggunakan perangkat.

Undang-Undang dan Peraturan

Selama menggunakan produk ini, Anda harus sepenuhnya mematuhi peraturan keselamatan kelistrikan dari pemerintah.

Transportasi

- Kemas perangkat dalam kemasan aslinya atau yang serupa saat memindahkannya.
- Simpan wadah setelah perangkat dikeluarkan untuk digunakan lagi jika perlu. Kembalikan perangkat yang mengalami kegagalan apa pun ke pabrik dalam wadah aslinya. Perangkat yang diangkut tanpa wadah aslinya dapat mengalami kerusakan dan perusahaan tidak bertanggung jawab atas hal tersebut.
- Jangan menjatuhkan produk atau membuatnya terkena guncangan fisik. Jauhkan perangkat dari gangguan magnetis.


Catu Daya

- Silakan membeli pengecas sendiri. Voltase masuk harus memenuhi Sumber Daya Terbatas 12 VDC, atau PoE (802,3af) sesuai dengan standar IEC62368. Silakan lihat spesifikasi teknis untuk informasi terperinci.
- Pastikan steker terhubung dengan benar ke soket daya.
- Pasang lubang stopkontak di dekat peralatan dan di lokasi yang mudah dijangkau.
- JANGAN menghubungkan beberapa perangkat ke satu adaptor daya, untuk menghindari panas berlebih atau bahaya kebakaran karena muatan berlebih.
- JANGAN menyentuh kontak logam terbuka pada inlet setelah pemutus arus dimatikan. Aliran listrik masih ada.
- + menandai terminal positif peralatan yang digunakan dengan, atau menghasilkan arus searah. - menandai terminal negatif peralatan yang digunakan dengan, atau menghasilkan arus searah.

Baterai

- Risiko ledakan jika baterai diganti dengan jenis yang salah. Buang baterai bekas sesuai petunjuk.
- Baterai bawaan tidak boleh dibongkar. Harap menghubungi produsen untuk perbaikan jika perlu.
- Untuk penyimpanan jangka panjang, pastikan baterai terisi penuh setiap setengah tahun untuk memastikan kualitasnya. Jika tidak, bisa terjadi kerusakan.
- Peralatan ini tidak cocok untuk digunakan di lokasi anak-anak beraktivitas.
- Penggantian baterai yang tidak tepat dengan baterai dari jenis yang salah dapat memengaruhi keamanan (misalnya, untuk beberapa jenis baterai litium).
- Jangan membuang baterai ke dalam api atau oven panas, atau menghancurkan atau memotongnya secara mekanis, karena dapat menyebabkan ledakan.
- Jangan meletakkan baterai di lingkungan yang bersuhu sangat tinggi, karena dapat menyebabkan ledakan atau kebocoran cairan atau gas yang mudah terbakar.
- Jangan membiarkan baterai terpapar tekanan udara yang sangat rendah, karena dapat menyebabkan ledakan atau kebocoran cairan atau gas yang mudah terbakar.

Lampu Tambahan

-  Berkas cahaya pada jarak 200 mm diklasifikasikan sebagai Risiko Grup 2 (RG2). Produk ini dapat memancarkan radiasi optik berbahaya.
- JANGAN memandang sumber cahaya yang menyala. Dapat membahayakan mata.
- Kenakan pelindung mata yang sesuai atau nyalakan lampu tambahan dalam jarak yang aman saja (2,9 m) atau di area yang tidak terkena cahaya langsung selama pemasangan atau pemeliharaan perangkat.

Pemasangan

- Jangan memasang peralatan ini di lokasi yang tidak stabil. Peralatan dapat terjatuh dan menyebabkan cedera serius hingga kematian.
- Gunakan peralatan ini dengan braket yang ditentukan saja. Penggunaan dengan alat lain (kereta dorong, meja, atau tas pengangkut) dapat menyebabkan peralatan jatuh dan menyebabkan cedera.

Keamanan Sistem

- Anda mengakui bahwa sifat Internet menghadirkan risiko keamanan yang melekat, dan perusahaan kami tidak bertanggung jawab atas abnormalitas pengoperasian, kebocoran privasi, atau kerusakan lain akibat serangan siber, serangan peretas, namun, perusahaan kami akan menyediakan dukungan teknis secara berkala jika dibutuhkan.
- Terapkan perlindungan informasi pribadi dan keamanan data karena perangkat dapat


mengalami masalah keamanan jaringan saat terhubung ke internet. Hubungi kami jika perangkat berpotensi mengalami risiko keamanan jaringan.

- Harap dipahami bahwa Anda bertanggung jawab untuk mengkonfigurasi semua kata sandi dan setelan keamanan lainnya terkait perangkat, serta menyimpan nama pengguna dan kata sandi Anda.

Pemeliharaan

- Jika produk tidak berfungsi dengan baik, hubungi dealer atau pusat servis terdekat. Kami tidak bertanggung jawab atas masalah yang disebabkan oleh perbaikan atau perawatan yang tidak resmi.
- Beberapa komponen perangkat (mis., kapasitor elektrolitik) harus diganti secara rutin. Masa pakai rata-rata bervariasi, jadi disarankan melakukan pemeriksaan periodik. Hubungi dealer Anda untuk informasi selengkapnya.
- Usap perangkat secara lembut dengan kain bersih dan sedikit etanol, jika diperlukan.
- Jika perangkat digunakan dengan cara yang tidak sesuai dengan yang ditetapkan produsen, perlindungan dari perangkat mungkin tidak berfungsi maksimal.
- Untuk mengurangi risiko kebakaran, hanya ganti sekering dengan tipe dan rating yang sama.
- Gunakan port seri peralatan untuk debugging saja.

Lingkungan Penggunaan

- Pastikan lingkungan tempat beroperasi memenuhi ketentuan perangkat. Temperatur pengoperasian harus antara -40 °C hingga 70 °C (-40 °F hingga 158 °F), dengan tingkat kelembapan antara 5% hingga 95%.
- Tempatkan perangkat dalam lingkungan yang kering dan berventilasi baik.
- JANGAN membiarkan perangkat terpapar radiasi elektromagnetik atau lingkungan yang berdebu.
- JANGAN mengarahkan lensa ke matahari atau cahaya terang lainnya.
- Lindungi peralatan dari tetesan atau cipratan dan jangan menaruh benda berisi cairan, misalnya vas, di atas peralatan.
- Jangan menempatkan sumber nyala terbuka, misalnya lilin, di atas peralatan.
- Sediakan penekan lonjakan pada bukaan inlet peralatan dalam kondisi khusus, seperti puncak gunung, menara besi, dan hutan.
- Jari yang terbakar saat menangani komponen dengan simbol . Tunggu satu setengah jam setelah peralatan dimatikan sebelum menangani komponen.

Darurat

- Jika muncul asap, bau, atau derau dari perangkat, segera matikan perangkat, cabut kabel daya, lalu hubungi pusat servis.

Alamat Produsen

Ruang 313, Unit B, Gedung 2, Jalan Danfeng 399,
Sub-distrik Xixing, Distrik Binjiang, Hangzhou,
Zhejiang 310052, China
Hangzhou Microimage Software Co., Ltd.

negara atau kawasan, termasuk tak terbatas,
Amerika Serikat, Uni Eropa, dan/atau negara-negara
lain anggota Kesepakatan Wassenaar. Hubungi ahli
hukum atau kepatuhan profesional atau otoritas
pemerintah setempat untuk persyaratan lisensi
impor yang dibutuhkan jika Anda bermaksud
mentransfer, mengeksport, mengeksport kembali
produk seri termal antar negara.

PENGUMUMAN KEPATUHAN: Produk seri termal ini
mungkin tunduk pada kontrol ekspor di berbagai



ကြိုးနှင့် ကြားခံစနစ်

နံပါတ်	လုပ်ဆောင်ချက်	နံပါတ်	လုပ်ဆောင်ချက်
1	ပြန်ချိန်ခလုတ်	7	အချက်ပေးကြိုး 2
2	မန်မိုရီကဒ်	8	အချက်ပေးကြိုး 1
3	အမှားပြင်ဆင်မှု စီရီယယ်အပေါက်	9	RS-485 ကြိုး
4	CVBS ကြိုး	10	DC ပါဝါကြိုး
5	အသံအဝင်	11	အီသာနက်
6	အသံအထွက်		

ရုပ်ပုံလက္ခဏာများနှင့် အမှတ်အသားများ

	အသိပေးချက်	*	i. ဆက်စပ်ပစ္စည်းများသည် အချို့သောမော်ဒယ်များအတွက်သာ ရနိုင်သည်။ ii. အမျိုးအစားများနှင့် အရေအတွက် များစွာရှိသည်။ iii. မလိုအပ်ပါက ဤအဆင့်ကို ကျော်လိက်ပါ။
	သတိပေးချက်	microSD	မိုက်ခရို SD ကဒ်
	တားမြစ်ချက်		မြေစိုက်
	မှန်သည်		စွန့်ပစ်ခြင်း

	မမှန်ပါ		သီးခြား ဝယ်ယူသည်
	စာမျက်နှာ A သို့ လှန်၍ ဆက်ဖတ်ပါ။		အခြားသော အခြေအနေများ

ကွန်ရက်ကင်မရာကို ဖွင့်ပြီး အသုံးပြုပါ

ကွန်ရက်ကင်မရာကို စတင်သက်ဝင်ရန် QR ကုဒ်ကို စကင်ဖတ်ပြီး သုံးစွဲပါ။ Wi-Fi မရှိလျှင် မိုဘိုင်းဒေတာ သုံးစွဲခများ ကျသင့်နိုင်သည်ကို သတိပြုပါ။



ကွန်ရက်ကင်မရာကို ဖွင့်ပြီး
အသုံးပြုပါ

ကင်မရာကို ပြန်ချိန်ပြီး မူရင်းဆက်တင်ကို ပြန်လည်ရယူပါ

ကင်မရာ ပါဝါ ဖွင့်ထားသည့်အချိန်တွင် မူရင်းဆက်တင် ခလုတ်ကို 10 စက္ကန့်ခန့် နှိပ်ထားပါ သို့မဟုတ် သုံးစွဲသူ အမည်၊ စကားပုဒ်၊ IP လိပ်စာ၊ လိုင်း နံပါတ်၊ အစရှိသည်တို့ အပါအဝင် မူရင်းဆက်တင်များကို ပြန်ရယူရန် ပြန်လည်စတင်ပါ။

အသုံးပြုသူလက်စွဲစာအုပ် & FAQ

ပိုမိုအသေးစိတ်သော ညွှန်ကြားချက်များအတွက်၊ အောက်ပါ QR ကုဒ်ကို စကင်ဖတ်ပြီး အသုံးပြုသူလက်စွဲကို ကြည့်ပါ။ မတူညီသော ကင်မရာမော်ဒယ်များအလိုက် လုပ်ဆောင်ချက်များ ကွဲပြားနိုင်ပါသည်။ အမှန်တကယ်ပါရှိသော ထုတ်ကုန်ကိုသာ ကိုးကားပါ။



ရောင်နှစ်ခုဖြင့် ကွန်ရက်ကျည်ဆံ ကင်မရာ



အပူကွန်ရက် ကျည်ဆံ ကင်မရာ



FAQ

ဥပဒေဆိုင်ရာ အချက်အလက်များ ငြင်းဆိုချက်

အကျိုးဝင်သည့် သက်ဆိုင်သောဥပဒေက ခွင့်ပြုထားသည့် အမြင့်ဆုံး အတိုင်းအတာဖြင့် ဤလက်စွဲစာအုပ်နှင့် ဖော်ပြထားသော ထုတ်ကုန်ကို ၎င်း၏ စက်ပစ္စည်းများ၊ ဆော့ဖ်ဝဲနှင့် ဖမ်းဝဲများနှင့်အတူ “ယင်းအတိုင်း” နှင့် “အမှားအယွင်းများအားလုံးနှင့်အတူ” ဖော်ပြထားသည်။ HIKMICRO သည် ကန့်သတ်မှု၊ ကုန်သွယ်နိုင်စွမ်း၊ ကျေနပ်လောက်ဖွယ် အရည်အသွေး၊ သို့မဟုတ် သီးခြားရည်ရွယ်ချက် တစ်စုံတစ်ခုအတွက် ကြံ့ခိုင်မှုများ မရှိခြင်း အပါအဝင် မည်သည့် အာမခံချက်များကို အတိအလင်း ဖြစ်စေ သွယ်ဝိုက်၍ ဖြစ်စေ ပေးထားခြင်း မရှိပါ။ ကုန်ပစ္စည်းအား အသုံးပြုပါက သင့်ဘာသာသင် တာဝန်ယူ ရမည်။ မည်သည့်အခြေအနေတွင်မဆို စာချုပ်ချိုးဖောက်မှုကြောင့်ဖြစ်စေ၊ အကျိုးပျက်စီး၍ဖြစ်စေ (ပေါ့လျော့မှု အပါအဝင်)၊ ထုတ်ကုန်ပစ္စည်း ပြဿနာ ကြောင့်ဖြစ်စေ၊ သို့မဟုတ်ပါက ဤထုတ်ကုန်ပစ္စည်းအား အသုံးပြုမှုကြောင့် ဖြစ်စေ စီးပွားရေးလုပ်ငန်း အကျိုးအမြတ် ဆုံးရှုံးမှု သို့မဟုတ် အချက်အလက် ဆုံးရှုံးမှု၊ စနစ်များ ယိုယွင်းပျက်စီးမှု သို့မဟုတ် စာရွက်စာတမ်း ပျက်စီး ပျောက်ဆုံးမှုကြောင့် ထိခိုက်မှုများ အပါအဝင် အထူးတလည်၊ အကျိုးဆက်စပ်၍၊ မတော်တဆ သို့မဟုတ် တိုက်ရိုက် ထိခိုက်မှုများအတွက် ထိုထိခိုက်မှု သို့မဟုတ် ဆုံးရှုံးမှုများအကြောင်း HIKMICRO အား အကြံပြု အသိပေးပြီး ဖြစ်စေကာမူ HIKMICRO မှ တာဝန်ယူမည် မဟုတ်ပါ။

အင်တာနက် သဘောသဘာဝအရ တည်ရှိဆဲ လုံခြုံရေး ဘေးအန္တရာယ်များ ပေးနိုင်သည်ကို သင် အသိအမှတ်ပြုပြီး ပုံမှန်မဟုတ်သော လုပ်ငန်းလည်ပတ်မှု၊ ပုဂ္ဂိုလ်ရေးဆိုင်ရာ အချက်အလက် ပေါက်ကြားမှု သို့မဟုတ် ဆိုင်ဘာ တိုက်ခိုက်မှုများ၊ ဟက်ကာ တိုက်ခိုက်မှုများ၊ ဝိုင်းရပ်စ် ကူးစက်မှု သို့မဟုတ် အခြား အင်တာနက် လုံခြုံရေး အန္တရာယ်များ၏ ရလဒ်အဖြစ် ဖြစ်ပေါ်လာသော

အခြားပျက်စီးမှုများ၊ အပေါ် HIKMICRO သည် တာဝန်ယူလိမ့်မည်မဟုတ်ပါ။ သို့ရာတွင် HIKMICRO သည် လိုအပ်ပါက နည်းပညာပံ့ပိုးမှုကို အချိန်နှင့် တစ်ပြေးညီပေးသွားမည်။

သင်သည် အကျိုးဝင်သော ဥပဒေများနှင့် အညီ ဤကုန်ပစ္စည်းကို အသုံးပြုရန် သဘောတူညီပြီး သင်၏ အသုံးပြုမှုသည် အကျိုးဝင်သော ဥပဒေနှင့် ကိုက်ညီစေရန် သင်က လုံးဝ တာဝန်ခံရမည် ဖြစ်သည်။ အထူးသဖြင့် သင်သည် ဤကုန်ပစ္စည်းကို အသုံးပြုရာတွင် အများပြည်သူ၏ အခွင့်အရေးများ၊ အသိပညာ ပိုင်ဆိုင်မှု အခွင့်အရေးများ သို့မဟုတ် အချက်အလက် ကာကွယ်ရေး နှင့် အခြား ပုဂ္ဂိုလ်ရေး ဆိုင်ရာ အချက်အလက် လုံခြုံမှု အခွင့်အရေးများ အပါအဝင် ဖြစ်သော်လည်း ယင်းတို့သာ အကန့်အသတ်မဟုတ်ဘဲ အပြင်အပ လူပုဂ္ဂိုလ် များ၏ အခွင့်အရေးများကို ချိုးဖောက်သော ပုံစံဖြင့် အသုံးပြုခြင်း မပြုရန် သင့်တွင် တာဝန်ရှိသည်။ လူအစုအပြုံလိုက် သေကြေပျက်စီးစေနိုင်သော လက်နက်များ တီထွင် ဖန်တီးခြင်း သို့မဟုတ် ထုတ်လုပ်ခြင်း၊ ဓာတု သို့မဟုတ် ဇီဝ လက်နက်များ တီထွင်ဖန်တီးခြင်း သို့မဟုတ် ထုတ်လုပ်ခြင်း၊ မည်သည့် ပေါက်ကွဲစေတတ်သော နျူးကလီးယား လက်နက် သို့မဟုတ် ဘေးကင်းလုံခြုံမှု မရှိသော နျူးကလီးယား လောင်စာ သံသရာတို့နှင့် သက်ဆိုင်သော အခြေအနေတွင် သို့မဟုတ် လူ့အခွင့်အရေး ချိုးဖောက်မှုကို ပံ့ပိုးသော လုပ်ဆောင်မှု တစ်စုံတရာ တို့ အပါအဝင် မည်သည့် အဆုံးသတ် အသုံးပြုမှု အတွက်ကိုမဆို သင်သည် ဤကုန်ပစ္စည်းကို အသုံးပြုခြင်း မပြုရပါ။

ဤလမ်းညွှန်နှင့် သက်ဆိုင်ရာ ဥပဒေတို့အကြား ကွဲလွဲမှုများ ရှိခဲ့ပါက ဥပဒေပါ ပြဌာန်းချက်ကိုသာ အတည်ယူရမည်။

စည်းကမ်းချက်ဆိုင်ရာ အချက်အလက်များ

ဤအပိုဒ်များသည် သက်ဆိုင်ရာ အမှတ်အသား သို့မဟုတ် အချက်အလက်များ ပါရှိသော ထုတ်ကုန်များနှင့်သာ သက်ဆိုင်ပါသည်။

EU လိုက်နာရန် ထုတ်ပြန်ချက်



ဤထုတ်ကုန် နှင့် - သက်ဆိုင်ပါက- ထည့်သွင်းပါရှိသော အပိုပစ္စည်းများမှာလည်း "CE" အမှတ်အသား ပါရှိသည်။ သို့ဖြစ်ရာ 2014/30/EU (EMCD) လမ်းညွှန်ချက် နှင့် 2011/65/EU (RoHS) တို့အောက်ရှိ စာရင်း ပြုစုထားသော သက်ဆိုင်ရာ ဟန်ချက်ညီသော ဥပဒေပ စံချိန်စံညွှန်းများနှင့် ကိုက်ညီသည်။

မှတ်ချက်- 50 မှ 1000 VAC အတွင်း သို့မဟုတ် 75 မှ 1500 VDC အတွင်း အဝင်ဗို့အားရှိသော ထုတ်ကုန်များသည် လမ်းညွှန်ချက် 2014/35/EU (LVD) နှင့် ကိုက်ညီပြီး ကျန်ထုတ်ကုန်များသည် လမ်းညွှန်ချက် 2001/95/EC (GPSD) နှင့် ကိုက်ညီပါသည်။ သတ်မှတ်ထားသော ပါဝါ ပေးသွင်းမှု အချက်အလက်ကို ကိုးကားချက်များအတွက် ကျေးဇူးပြု၍ စိစစ်ပါ။

အသိပေးချက်- ဒါသည် class A ထုတ်ကုန်ဖြစ်ပါသည်။ ဒေသတွင်း ပတ်ဝန်းကျင်တစ်ခု၌ ဤကုန်ပစ္စည်းသည် ရေဒီယိုဆက်သွယ်ရေး အနှောင့်အယှက်ကို ဖြစ်စေနိုင်သောကြောင့် အသုံးပြုသူသည် လုံလောက်သော ဆောင်ရွက်ချက်များကို လုပ်ဆောင်ရန်လိုအပ်ပါသည်။



2012/19/EU ညွှန်ကြားချက် (WEEE ညွှန်ကြားချက်)- ဤသင်္ကေတ ကပ်ထားသည့် ထုတ်ကုန်များကို ဥပဒေပသမဂ္ဂအတွင်း ရောနှောစည်ပင်အမှိုက်အနေဖြင့် စွန့်ပစ်နိုင်ခြင်း မရှိပါ။ သေချာစွာ ရီဆိုင်ကယ်လုပ်ရန်အတွက် ဤထုတ်ကုန်ပစ္စည်းကို အလားတူ ပစ္စည်းအသစ်တစ်ခု ဝယ်ယူချိန်တွင် သင့်နယ်ခံ ပစ္စည်းရောင်းချသူထံ ပြန်ပေးပါ သို့မဟုတ် သတ်မှတ်ထားသည့် ပစ္စည်းစုဆောင်းသော နေရာများ၌ စွန့်ပစ်ပါ။ ပိုမိုသိရှိလိုပါက www.recyclethis.info တွင်ကြည့်ပါ။



2006/66/EC ညွှန်ကြားချက်နှင့် ၎င်း၏ ပြင်ဆင်ဖြည့်စွက်ချက် 2013/56/EU (ဘက်ထရီဆိုင်ရာ ညွှန်ကြားချက်)- ဤထုတ်ကုန်ပစ္စည်းတွင် ဥပဒေပသမဂ္ဂအတွင်း ရောနှော စည်ပင်အမှိုက်အနေဖြင့် စွန့်ပစ်နိုင်ခြင်း မရှိသည့် ဘက်ထရီ တစ်လုံး ပါဝင်နေပါသည်။ ဘက်ထရီအတွက် သီးသန့်အချက် အလက်များကို ထုတ်ကုန်ပစ္စည်းပါ စာရွက်စာတမ်းများ၌ ကြည့်ပါ။ ဤဘက်ထရီကို ကတ်ဒီယမ် (Cd)၊ ခဲ (Pb) သို့မဟုတ် ပြဒါး (Hg) ဟု ညွှန်ပြမည့် စွန့်ပစ်ခြင်းပါဝင်နိုင်ကြောင်း ဤသင်္ကေတဖြင့် မှတ်သားထားပါသည်။ သေချာစွာ ရီဆိုင်ကယ်လုပ်ရန်အတွက် ဤဘက်ထရီကို သင့်နယ်ခံ

ပစ္စည်း ရောင်းချသူထံ ပြန်ပေးပါ သို့မဟုတ် သတ်မှတ်ထားသည့် စုဆောင်းသော နေရာ၌ စွန့်ပစ်ပါ။ ပိုမိုသိရှိလိုပါက www.recyclethis.info တွင်ကြည့်ပါ။

ဘေးကင်းရေးဆိုင်ရာ အချက်အလက်

အသုံးမပြုမီ ဘေးကင်းရေးဆိုင်ရာ အချက်အလက်များကို သေချာစွာ ဖတ်ရှုပါ။

ဥပဒေများနှင့် လုပ်ထုံးလုပ်နည်းများ

ဤထုတ်ကုန်ပစ္စည်းအား အသုံးပြုရာတွင် နိုင်ငံနှင့် ဒေသတွင်းရှိ လျှပ်စစ်ဆိုင်ရာ ဘေးကင်းလုံခြုံရေး စည်းမျဉ်းအများကို အပြည့်အဝ လိုက်နာဆောင်ရွက်ရမည် ဖြစ်သည်။

သယ်ယူပို့ဆောင်ရေး

- ကိရိယာကို သယ်ယူပို့ဆောင်ရာတွင် မူလ သို့မဟုတ် အလားတူ ထုပ်ပိုးမှုအတိုင်း ထားပါ။
- ကိရိယာအား အထုတ်မှဖောက်ပြီးနောက် ထုတ်ပိုးသည့် ပစ္စည်းများကို နောင်တွင်ပြန်သုံးနိုင်ရန် သိမ်းဆည်းထားပါ။ ချို့ယွင်းမှုတစ်ခုခု ဖြစ်ခဲ့ပါက ကိရိယာကို မူရင်းအထုတ်အပိုးဖြင့် စက်ရုံသို့ ပြန်ပို့ရန် လိုအပ်ပါသည်။ မူလအတိုင်းထုပ်ပိုးထားခြင်းမရှိသော သယ်ယူပို့ဆောင်မှုသည် စက်ပစ္စည်းအပေါ် ထိခိုက်ပျက်စီးမှုဖြစ်စေနိုင်ပြီး ကုမ္ပဏီမှ မည်သို့မျှ တာဝန်ယူမည်မဟုတ်ပါ။
- ထုတ်ကုန်ပစ္စည်းကို လွတ်မကျပါစေနှင့် သို့မဟုတ် တုန်ခါ၍ ဒဏ်ဖြစ်သွားခြင်း မဖြစ်စေပါ နှင့်။ ကိရိယာကို သံလိုက်လမ်းကြောင်း အနှောင့်အယှက်များမှ လွတ်ကင်းရာတွင် ထားပါ။

ပါဝါ ပေးသွင်းမှု

- ကျေးဇူးပြု၍ အားသွင်းကိရိယာကို သင်ကိုယ်တိုင်ဝယ်ယူပါ။ အဝင်ဓာတ်အားသည် ပါဝါရင်းမြစ် ကန့်သတ်ချက် 12 VDC သို့မဟုတ် IEC62368 စံနှုန်းအရ PoE (802.3af) နှင့် ကိုက်ညီရမည်။ အသေးစိတ်အချက်အလက်များအတွက် နည်းပညာဆိုင်ရာ သတ်မှတ်ဖော်ပြချက်များကို ကျေးဇူးပြု၍ ကိုးကားပါ။
- ပလပ်ခေါင်းသည် ပါဝါ အပေါက်တွင် ကောင်းမွန်စွာ ချိတ်ဆက်ထားမှု ရှိမရှိကို သေချာ မြေချထားပါ။
- ပလပ်ပေါက်ကို ကိရိယာအနီးတွင် တပ်ဆင်ထားရမည်ဖြစ်ပြီး အလွယ်တကူ ထိုးချိတ်နိုင်ရမည် ဖြစ်သည်။
- အလုပ်ပိုကြောင့် ဖြစ်ပေါ်လာသော အပူလွန်ခြင်း သို့မဟုတ် မီးဘေးအန္တရာယ်ကို ရှောင်ရှားရန် ပါဝါခုံ တစ်ခုတွင် ကိရိယာ အများအပြားကို မဆက်ထားပါနှင့်။
- ဆားကစ်ဘရိတ်ကာကို ပိတ်ပြီးသော်လည်း အကာရံမပါသော အဝင်များ၏


သတ္တုအဆက်အသွယ်များကို မထိပါနှင့်။ လျှပ်စစ်အား ရှိနေဆဲဖြစ်သည်။

- + တိုက်ရိုက်လျှပ်စီးကြောင်းနှင့် အသုံးပြုသော သို့မဟုတ် တိုက်ရိုက်လျှပ်စီးကြောင်း ထွက်သော ကိရိယာ၏ အပေါင်းငုတ်(များ)ကို ခွဲခြားမှတ်သားပါ။ - တိုက်ရိုက်လျှပ်စီးကြောင်းနှင့် အသုံးပြုသော သို့မဟုတ် တိုက်ရိုက်လျှပ်စီးကြောင်း ထွက်သော ကိရိယာ၏ အနှုတ်ငုတ်(များ)ကို ခွဲခြားမှတ်သားပါ။

ဘက်ထရီ

- မှန်ကန်မှုမရှိသော ဘက်ထရီအမျိုးအစားဖြင့် လဲမိပါက ပေါက်ကွဲမှုဖြစ်နိုင်သည်။ အသုံးပြုပြီး ဘက်ထရီများကို လမ်းညွှန်ချက်များနှင့်အညီ စွန့်ပစ်ပါ။
- တစ်သားတည်းပါသော ဘက်ထရီကို ဖယ်ထုတ်၍မရနိုင်ပါ။ လိုအပ်ပါက ပြုပြင်ရန်အတွက် ကျေးဇူးပြု၍ ထုတ်လုပ်သူနှင့် ဆက်သွယ်ပါ။
- ဘက်ထရီကြာရှည် သိုလှောင်ရန် အတွက် ဘက်ထရီအရည်အသွေးကောင်းမွန်စေရန် နှစ်ဝက်တိုင်းတွင် သေချာစွာ အားအပြည့်သွင်းထားပါ။ ထိုသို့မဟုတ်လျှင် ထိခိုက်ပျက်စီးမှုဖြစ်စေနိုင်ပါသည်။
- ဤကိရိယာကို ကလေးများရှိနိုင်သည့် နေရာမျိုးတွင် အသုံးပြုရန် မသင့်လျော်ပါ။
- ဘက်ထရီကို ပုံစံမမှန်ဘဲ မှားယွင်းသော အမျိုးအစားတစ်ခုဖြင့် အသစ်လဲခဲ့ပါက safeguard ပျက်စီးနိုင်သည် (ဥပမာအားဖြင့် အချို့သော လစ်သီယမ် ဘက်ထရီအမျိုးအစားများတွင်)။
- ဘက်ထရီကို ပေါက်ကွဲမှု ဖြစ်ပေါ်စေနိုင်သည့် မီးအတွင်းသို့၊ သို့မဟုတ် မီးဖိုအတွင်းအတွင်း၊ သို့မဟုတ် စက်ပစ္စည်းသုံး ထုခြေခြင်း၊ သို့မဟုတ် ဖြတ်တောက်ခြင်း ဖြင့် မစွန့်ပစ်ပါနှင့်။
- ဘက်ထရီကို အလွန်အမင်း မြင့်မားသည့် အပူချိန်ရှိသည့် ပတ်ဝန်းကျင်တွင် မထားပါနှင့်။ ပေါက်ကွဲမှု ဖြစ်နိုင်သည် သို့မဟုတ် မီးလောင်လွယ်သည့် အရည် သို့မဟုတ် ဓာတ်ငွေ့များ ထွက်လာနိုင်သည်။
- ဤဘက်ထရီကို အလွန်နိမ့်သည့် လေဖိအားနှင့် ထိတွေ့ခြင်း မရှိစေရ။ ပေါက်ကွဲမှု ဖြစ်နိုင်သည် သို့မဟုတ် မီးလောင်လွယ်သည့် အရည် သို့မဟုတ် ဓာတ်ငွေ့များ ထွက်လာနိုင်သည်။

ထောက်ပံ့မီးအလင်း

-  200 မီလီမီတာ အကြာအေးဝေးရှိ အလင်းရောင်တန်းကို အန္တရာယ်ရှိအုပ်စု 2 (RG2) အဖြစ် အမျိုးအစားသတ်မှတ်ပါသည်။ ဤထုတ်ကုန်ပစ္စည်းမှ ထုတ်လွှတ်သော ရောင်ခြည်သည် အမြင်အာရုံအတွက် အန္တရာယ်ရှိနိုင်ပါသည်။

- လုပ်ငန်းလုပ်ဆောင်နေသော မီးအရင်းအမြစ်ကို စိုက်မကြည့်ပါနှင့်။ မျက်စိများကို ထိခိုက်နိုင်သည်။
- သင့်လျော်သော မျက်လုံးအကာအကွယ်ကို ဝတ်ဆင်ပါ သို့မဟုတ် ကိရိယာကို တပ်ဆင်သည့်အခါ သို့မဟုတ် ပြုပြင်ထိန်းသိမ်းသည့်အခါ အလင်းရောင်နှင့် တိုက်ရိုက်မထိတွေ့နိုင်သော ဧရိယာ (2.9 မီတာ) တွင်သာ ဖြည့်စွက်အလင်းရောင်ကို ဖွင့်ပါ။

တပ်ဆင်ခြင်း

- ကိရိယာကို မတည်ငြိမ်သော နေရာများတွင် မည်သည့်အခါမျှ တပ်ဆင်ခြင်း မပြုရပါ။ ဤကိရိယာ ပြုတ်ကျ၍ အနာတရ ပြင်းထန်စွာဖြစ်စေ၊ အသက်ဆုံးရှုံးသည်အထိ ဖြစ်စေ အန္တရာယ် ဖြစ်စေနိုင်သည်။
- ဤကိရိယာကို ၎င်းနှင့်လိုက်ဖက်သော ဒေါက်များဖြင့်သာ အသုံးပြုရန်ဖြစ်ပါသည်။ အခြား (လက်တွန်းလှည်းများ၊ စင်များ သို့မဟုတ် သယ်ဆောင်သည့်စင်များ) ပစ္စည်းများနှင့် အသုံးပြုခြင်းကြောင့် မတည်မငြိမ်ဖြစ်ပြီး အနာတရ ဖြစ်စေနိုင်ပါသည်။

စနစ် လုံခြုံရေး

- အင်တာနက်၏သဘောသဘာဝအရ မူလအားဖြင့် လုံခြုံရေးဆိုင်ရာအန္တရာယ်များကို ဖြစ်စေနိုင်သည်ကို သင်သိရှိနားလည်ထားပြီးဖြစ်ရာ ဆိုက်ဘာတိုက်ခိုက်မှု၊ ဟက်ကာတိုက်ခိုက်မှုတို့ကြောင့်ဖြစ်သော ပုံမှန်မဟုတ်သော ဆောင်ရွက်မှု၊ ကိုယ်ရေးအချက်အလက်ကျိုးပေါက်မှု သို့မဟုတ် အခြားထိခိုက်မှုများအတွက် ကျွန်ုပ်တို့ကုမ္ပဏီမှ တာဝန်ယူမည်မဟုတ်ပါ။ သို့သော် ကျွန်ုပ်တို့ကုမ္ပဏီသည် လိုအပ်ပါက အချိန်နှင့်တစ်ပြေးညီ နည်းပညာအထောက်အပံ့ပေးမည်ဖြစ်ပါသည်။
- ကိရိယာအား အင်တာနက်သို့ ချိတ်ဆက်ထားလျှင် ကွန်ရက်လုံခြုံမှုဆိုင်ရာ ပြဿနာများ ဖြစ်နိုင်သည့်အတွက် ကိုယ်ရေးအချက်အလက် ကာကွယ်ရေးနှင့် အချက်အလက် လုံခြုံရေးတို့ကို လုပ်ဆောင်ပါ။ ကိရိယာတွင် ကွန်ရက်လုံခြုံရေး အန္တရာယ်များ ရှိနိုင်ပါက ကျွန်ုပ်တို့ထံ ဆက်သွယ်ပါ။
- သင့်အနေဖြင့် ဤကိရိယာနှင့် ပတ်သက်သည့် စကားတိုက်များနှင့် အခြားလုံခြုံရေး ဆက်တင်များကို ထိန်းသိမ်းသတ်မှတ်ရမည်ဖြစ်ပြီး အသုံးပြုသူအမည်နှင့် စကားတိုက်ကို မှတ်သားထားရန် တာဝန်ရှိသည်ကို နားလည်ရန်လိုအပ်ပါသည်။

ပြုပြင်ထိန်းသိမ်းခြင်း

- ကိရိယာ သေချာအလုပ်မလုပ်ပါက အရောင်းဆိုင် သို့မဟုတ် အနီးဆုံး ကြံ့ခိုင်မှုစစ်ဆေးရေး စင်တာသို့ ဆက်သွယ်ပါ။ ခွင့်ပြုချက်မရှိဘဲ ပြင်ဆင်ခြင်း သို့မဟုတ်

ထိန်းသိမ်းခြင်းဆိုင်ရာကြောင့် ဖြစ်ပွားရသည့် မည်သည့်ပြဿနာအတွက်မဆို လုံးဝတာဝန်ယူမည် မဟုတ်ပါ။

- အချို့သော ကိရိယာ အစိတ်အပိုင်းများ (ဥပမာ- အီလက်ထရိုလိုက်တစ် စွမ်းရည်ထိန်း ပစ္စည်း) သည် ပုံမှန် လဲလှယ်မှု လုပ်ရန် လိုအပ်သည်။ ပျမ်းမျှ သက်တမ်း ကွာခြားမှု ရှိသဖြင့် စစ်ဆေးရန် အကြံပြုသည်။ အသေးစိတ်အတွက် သင့်အား ပစ္စည်းရောင်းပေးသူအား ဆက်သွယ်ပါ။
- လိုအပ်ပါက စက်ကိရိယာကို အရက်ပြန်အနည်းငယ်သုံး၍ သန့်ရှင်းသောအဝတ်စဖြင့် ညင်သာစွာ သုတ်ပါ။
- ထုတ်လုပ်သူမှ သတ်မှတ်ထားခြင်းမရှိသောပုံစံဖြင့် ကိရိယာကို အသုံးပြုပါက စက်ပစ္စည်းတွင်ပါသော အကာအကွယ်ကို ထိခိုက်စေနိုင်ပါသည်။
- မီးလောင်ကျွမ်းမှု အန္တရာယ်ကို လျော့ချရန်အတွက် အမျိုးအစားနှင့် အဆင့်အတန်း တူညီသည့် ဖျူးစ်ဖြင့်သာ လဲလှယ်ပေးရမည်။
- ကိရိယာ၏ စီရိယယ် ဆက်သွယ်မှု သည် အမှားပြင်ရန်အတွက်သာ အသုံးပြုသည်။

အသုံးပြုသည့် ပတ်ဝန်းကျင်

- လည်ပတ်လုပ်ဆောင်နေသော ပတ်ဝန်းကျင်သည် ကိရိယာအတွက် လိုအပ်ချက်များ ပြည့်မီစေရန် လုပ်ဆောင်ပါ။ အလုပ်လုပ်သော အပူချိန်သည် -40 °C မှ 70 °C အထိ (-40 °F မှ 158 °F အထိ) ရှိသင့်ပြီး စိုထိုင်းဆသည် 5% မှ 95% အထိရှိသင့်သည်။
- စက်ပစ္စည်းကို ခြောက်သွေ့၍ လေဝင်လေထွက်ကောင်းသောပတ်ဝန်းကျင်တွင် ထားပါ။
- ကိရိယာကို လျှပ်စစ်သံလိုက် ရောင်ခြည် သို့မဟုတ် ဖိုတိုသော ပတ်ဝန်းကျင်များနှင့် မထိတွေ့စေပါနှင့်။
- မှန်ဘီလူးများကို နေ သို့မဟုတ် တောက်ပသော အလင်းရောင်ရှိရာသို့ မချိန်ပါနှင့်။
- ဤကိရိယာကို ရေစိမ့်ကျခြင်း သို့မဟုတ် ဖျန်းပက်ခြင်းဖြန်းပတ်ခြင်းများနှင့် မထိတွေ့စေရန်နှင့် ပန်းအိုးများ ကဲ့သို့သော အရည်ဖြည့်ထားသည့် ပစ္စည်းများကို ကိရိယာအပေါ်တွင် မတင်ရပါ။

- မီးထွန်းထားသည့် ဖယောင်းတိုင်များ ကဲ့သို့သော အကာအကွယ်မရှိသည့် မီးအရင်းအမြစ်များကို ကိရိယာအပေါ်တွင် မထားရပါ။
- တောင်ထိပ်၊ သံတာဝါတိုင်နှင့် သစ်တောများကဲ့သို့ အထူး အခြေအနေများအောက်တွင် ကိရိယာ၏ အဝင်ပေါက်တွင် ရုတ်တရက် လှုပ်ရှားမှု အထိန်းကို ထည့်ပေးပါ။
- သင်္ကေတပါသော အစိတ်အပိုင်းများကို ကိုင်တွယ်သည့်အခါ လက်ချောင်းများအပူလောင်နိုင်သည် ⚠ အစိတ်အပိုင်းများကို မကိုင်တွယ်မီ ခလုတ်ပိတ်ပြီး အနည်းဆုံး တစ်နာရီခွဲ စောင့်ဆိုင်းပါ။

အရေးပေါ်

- ကိရိယာမှ မီးခိုးငွေ့၊ ညှော်နံ့စသည့် အနံ့၊ ဆူညံသံများ ထွက်လာလျှင် ပါဝါ ချက်ချင်းပိတ်၊ ပါဝါကောဘယ် ဖြုတ်ပြီး ပြုပြင်ရေးစင်တာသို့ ဆက်သွယ်ပါ။

ထုတ်လုပ်သည့်လိပ်စာ

အခန်း 313၊ ယူနဗျ B၊ အဆောက်အအုံဦးနှံပါတျ 2၊ 399 ဒနျဖနျးလမျး၊ ဇီဖျးခရီငျခဲ၊ ဘငျဂငျးခရီငျ၊ ဟနျဖီး၊ ဇီဂငျး 310052၊ တရုတ်နိုင်ငံ
Hangzhou Microimage Software Co., Ltd.

လိုက်နာမှု သတိပေးချက်။ အပူဆိုင်ရာ အတွဲလိုက် ထုတ်ကုန်များသည် အမေရိကန် ပြည်ထောင်စု၊ ဥရောပ သမဂ္ဂ၊ ယူနိုက်တစ် ကင်းဒမ်း နှင့်/သို့ ဝါဆန်နာ စီမံမှု အဖွဲ့ဝင် နိုင်ငံများ အပါအဝင် ဖြစ်ပြီး ယင်းတို့သာ ဟု ကန့်သတ်မထားပဲ အမျိုးမျိုးသော နိုင်ငံများ သို့မဟုတ် ဒေသများ တွင် ပို့ကုန် ထိန်းချုပ်မှုများကို ကြုံတွေ့ ရနိုင်သည်။ သင့်အနေဖြင့် အပူဆိုင်ရာ အတွဲလိုက် ထုတ်ကုန်များကို မတူညီသော နိုင်ငံများအကြား လွှဲပြောင်းခြင်း၊ တင်ပို့ခြင်း၊ ထပ်မံတင်ပို့ခြင်း လုပ်ရန် ရည်ရွယ်ပါက ပို့ကုန် လိုင်စင် လိုအပ်ချက် တစ်စုံတစ်ရာ လိုအပ်ခြင်းရှိမရှိကို ကျွမ်းကျင်သော ဥပဒေ သို့မဟုတ် စည်းမျဉ်းလိုက်နာမှု ကျွမ်းကျင်သူများ သို့မဟုတ် ဒေသခံအစိုးရ အာဏာပိုင်များနှင့် ကျေးဇူးပြု၍ တိုင်ပင်ပါ။









Kablo ve Arabirim

No.	Fonksiyon	No.	Fonksiyon
1	Sıfırlama Düğmesi	7	Alarm Kablosu 2
2	Bellek Kartı	8	Alarm Kablosu 1

No.	Fonksiyon	No.	Fonksiyon
3	Hata Ayıklama Seri Portu	9	RS-485 Kablosu
4	CVBS Kablosu	10	DC Güç Kablosu
5	Ses Girişi	11	Ethernet
6	Ses Çıkışı		

Semboller ve İşaretler

	Bildirim		i. Aksesuarlar yalnızca bazı modeller için geçerlidir. ii. Değişken türleri ve miktarları. iii. Gerekli değilse bu adımı atlayın.
	Uyarı		MicroSD kart
	Yasak		Topraklama
	Doğru		Atma
	Yanlış		Ayrıca satın alın
	A sayfasına dönüp devam edin.		Diğer durumlar

Ağ Kamerasını Etkinleştirme ve Erişme

Etkinleştirmek ve Ağ Kamerasına Erişmek için QR kodunu taratın. Wi-Fi kullanılamıyorsa mobil veri ücretlerinin uygulanabileceğini unutmayın.



Ağ Kamerasını Etkinleştirme ve Erişme

Kamerayı Sıfırlama ve Geri Yükleme

Kameraya güç verilirken veya yeniden başlatılırken kullanıcı adı, parola, IP adresi, bağlantı noktası no. vb. varsayılan ayarlara sıfırlamak için Sıfırlama düğmesine yaklaşık 10 sn basın.

Kullanıcı Kılavuzu ve SSS

Daha ayrıntılı talimatlar için aşağıdaki QR kodunu tarayarak **Kullanım Kılavuzunu** inceleyin. İşlevler, farklı kamera modellerine göre değişebilir. Asıl ürünü referans alın.



İki Spektrum Ağ Tipi Bullet Kamera



Ağ Tipi Termal Bullet Kamera



SSS

Yasal Bilgiler

Yasal Uyarı

YÜRÜRLÜKTE OLAN YASALARCA İZİN VERİLEN AZAMI ÖLÇÜDE BU KILAVUZ VE AYRICA DONANIMI, YAZILIMI VE AYGIT YAZILIMI İLE BİRLİKTE TARİF EDİLEN ÜRÜN "TÜM HATALAR VE ARIZALARLA BİRLİKTE" VE "OLDUĞU GİBİ" SUNULMUŞTUR. HIKMICRO, SINIRLAMA, SATILABİLİRLİK, KALİTE MEMNUNİYETİ VEYA BELİRLİ BİR AMACA UYGUNLUK DAHİL, AÇIK VEYA ZİMNİ HİÇBİR GARANTİ VERMEZ. ÜRÜNÜN SİZİN TARAFINIZDAN KULLANILMASIYLA İLGİLİ TÜM RİSKLER TARAFINIZA AİTTİR. HIKMICRO HİÇBİR DURUMDA, BU ÜRÜNÜN KULLANIMI İLE BAĞLANTILI OLARAK, HIKMICRO BU TÜR HASARLARIN OLASILIĞI HAKKINDA BİLGİLENDİRİLMİŞ OLSA BİLE, İŞ KURLARININ KAYBI, İŞ KESİNTİSİ, VERİ KAYBI, SİSTEM KESİNTİSİ, BELGE KAYBI, SÖZLEŞMENİN İHLALİ (İHMAL DAHİL), ÜRÜN SORUMLULUĞU GİBİ

ZARARLAR DA DAHİL OLMAK ÜZERE, ÖZEL, SONUÇSAL, TESADÜFİ VEYA DOLAYLI ZARARLAR İÇİN SİZE KARŞI SORUMLU OLMAYACAKTIR. HIKMICRO'NUN, İNTERNETİNİN DOĞAL GÜVENLİK RİSKLERİNİN GETİRDİĞİ SİBER SALDIRI, HACKER SALDIRISI, HACKER SALDIRISI, VİRÜS BULAŞMASINDAN KAYNAKLANAN ANORMAL ÇALIŞMA, GİZLİLİK SIZINTISI VEYA DİĞER ZARARLARDAN HERHANGİ BİR SORUMLULUK ALMAYACAĞINI KABUL EDİYORSUNUZ; ANCAK HIKMICRO, GEREKİRSE ZAMANINDA TEKNİK DESTEK SAĞLAYACAKTIR. BU ÜRÜNÜ YÜRÜRLÜKTEKİ TÜM YASALARA UYGUN OLARAK KULLANMAYI KABUL EDERSİNİZ VE KULLANIMINIZIN YÜRÜRLÜKTEKİ YASAYA UYGUN OLMASI SORUMLULUĞU TAMAMEN SİZE AİTTİR. ÖZELLİKLE BU ÜRÜNÜ, HERHANGİ BİR SINIRLAMA OLMASIZIN TANITIM HAKLARI, FİKRİ MÜLKİYET HAKLARI VEYA VERİ KORUMA VE DİĞER GİZLİLİK

HAKLARI DAHİL OLMAK ÜZERE ÜÇÜNCÜ TARAF LARIN HAKLARINI İHLAL ETMEYECEK BİR ŞEKİLDE KULLANMAKTAN SİZ SORUMLUSUNUZ. BU ÜRÜNÜ, TOPLU İMHA SİLAHLARININ GELİŞTİRİLMESİ VEYA ÜRETİMİ, KİMYASAL YA DA BİYOLOJİK SİLAHLARIN GELİŞTİRİLMESİ VEYA ÜRETİMİ, HERHANGİ BİR NÜKLEER PATLAYICI YA DA GÜVENİLİR OLMAYAN NÜKLEER YAKIT DÖNGÜSÜ VEYA İNSAN HAKLARI İHLALLERİNİN DESTEKLENMESİ DAHİL HİÇBİR YASAKLANMIŞ SON KULLANIM İÇİN KULLANMAYACAKSINIZ. BU KILAVUZ İLE İLGİLİ YASA ARASINDA HERHANGİ BİR ÇELİŞKİ OLMASI DURUMUNDA, İKİNCİSİ GEÇERLİDİR.

Mevzuat Bilgisi

Bu maddeler, yalnızca ilgili işarete veya bilgiye sahip ürünler için geçerlidir.

AB Uygunluk Beyanı



Bu ürün ve (varsa) verilen aksesuarlar da "CE" ile işaretlenmiştir ve bu nedenle 2014/30/EU (EMCD) Direktifi ve 2011/65/EU (RoHS) Direktifinde listelenen ilgili uyumlaştırılmış Avrupa standartlarına uygundur.

Not: Giriş voltajı 50 ila 1000 VAC veya 75 ila 1500 VDC arasında olan ürünler, 2014/35/EU (LVD) Direktifine, geri kalan ürünler de 2001/95/EC (GPSD) Direktifine uygundur. Referans olması için lütfen ilgili güç kaynağı bilgilerini kontrol edin.

Uyarı: Bu, A sınıfı bir üründür. Ev ortamında bu ürün radyo parazitine neden olabilir, bu durumda kullanıcının uygun önlemleri alması gerekebilir.



2012/19/EU Direktifi (WEEE Direktifi): Bu sembole sahip ürünler, Avrupa Birliği'nde ayrıştırılmamış belediye atığı olarak imha edilemez. Doğru bir geri dönüşüm için eşdeğer yeni bir ekipman aldıktan sonra bu ürünü yerel tedarikçinize iade edin veya belirlenmiş toplama noktalarına gönderin. Daha fazla bilgi için bkz: www.recyclethis.info.



2006/66/EC Direktifi ve değişiklik 2013/56/EU (Batarya Direktifi): Bu ürün, Avrupa Birliği'nde ayrıştırılmamış belediye atığı olarak imha edilemeyen bir pil içermektedir. Pile özel bilgi edinmek için ürün belgelerine bakın. Pil, kadmiyum (Cd), kurşun (Pb) veya cıva (Hg) elementlerini gösteren harflerin de yer alabildiği bu sembole işaretlenmiştir. Doğru bir geri dönüşüm için pili tedarikçinize veya belirlenmiş toplama noktasına geri götürün. Daha fazla bilgi için bkz: www.recyclethis.info.

Güvenlik Bilgileri

Ekipmanı kullanmaya başlamadan önce lütfen tüm güvenlik bilgilerini okuyun.

Yasalar ve Yönetmelikler

Ürünü kullanırken ülkenin ve bölgenin elektrik güvenliği yönetmeliklerine tam olarak uymanız gerekir.

Ulaşım

- Cihazı taşırken orijinal ambalajının veya benzer bir ambalajın içerisine koyun.
- Ambalajından çıkardıktan sonra tüm ambalajları ileride kullanmak üzere saklayın. Herhangi bir arıza meydana gelmesi halinde cihazı orijinal sargısıyla birlikte fabrikaya iade etmeniz gerekir. Orijinal ambalajı olmadan taşımak cihaza zarar verebilir bu durumda şirket hiçbir sorumluluk kabul etmeyecektir.
- Ürünü düşürmeyin veya fiziksel darbeye maruz bırakmayın. Cihazı manyetik parazitten uzak tutun.

Güç Kaynağı

- Lütfen şarj cihazını kendiniz satın alın. Giriş voltajı, IEC62368 standardına göre 12 V DC ile Sınırlı Güç Kaynağını veya PoE'yi (802.3af) karşılamalıdır. Ayrıntılı bilgi için lütfen teknik özelliklere bakın.
- Fişin elektrik prizine düzgün şekilde takıldığından emin olun.
- Priz, ekipmanın yakınına kurulmalı ve kolayca erişilebilir olmalıdır.
- Aşırı yükten kaynaklı aşırı ısınmayı veya yangın tehlikelerini önlemek için bir güç kaynağına birden fazla cihaz TAKMAYIN.
- Devre kesici kapatıldıktan sonra girişlerin çıplak metal kontaklarına DOKUNMAYIN. Elektrik hala vardır.
- + simgesi kullanılan veya doğru akım üreten ekipmanın pozitif terminallerini belirtir. - simgesi kullanılan veya doğru akım üreten ekipmanın negatif terminallerini belirtir.

Pil

- Pil yanlış bir türle değiştirildiğinde patlama riski. Bitmiş pilleri talimatlara göre atın.
- Dahili pil sökülemez. Gerekiyorsa onarım için lütfen üreticiyle iletişime geçin.
- Pil uzun süre kullanılmadan saklanacaksa pilin kalitesinin devam ettirilmesi için her altı ayda bir tam olarak şarj edilmesini sağlayın. Aksi takdirde hasar meydana gelebilir.
- Bu ekipman çocukların olma ihtimalinin bulunduğu yerlerde kullanım için uygun değildir.
- Pili yanlış türde bir pille uygun olmayan şekilde değiştirilmesi korumayı geçersiz hâle getirebilir (örneğin, bazı lityum pil türleri).
- Pili ateşe veya sıcak fırına atmayın veya pili mekanik olarak patlayabilecek şekilde ezmeyin veya kesmeyin.
- Pili, patlamaya veya yanıcı sıvı veya gaz sızıntısına neden olabilecek aşırı yüksek sıcaklıktaki bir ortamda bırakmayın.
- Pili, patlamaya veya yanıcı sıvı veya gaz sızıntısına neden olabilecek aşırı düşük hava basıncına maruz bırakmayın.

Tamamlayıcı Işık

- ⚠️ 200 mm mesafedeki ışın Risk Grubu 2 (RG2) olarak sınıflandırılır. Bu üründen olası tehlikeli optik ışınım yayılabilir.

- Yanan ışık kaynağına doğrudan BAKMAYIN. Gözleriniz için zararlı olabilir.
- Uygun göz koruması kullanın ya da cihazı kurarken veya bakımını yaparken yalnızca güvenli bir mesafede (2,9 m) veya ışığa doğrudan maruz kalmayan bir alanda ilave ışığı açın.

Montaj

- Ekipmanı asla sağlam olmayan bir yere yerleştirmeyin. Ekipmanın düşmesi ciddi fiziksel yaralanmalara veya ölüme neden olabilir.
- Bu ekipman sadece ilgili braketler ile kullanım içindir. Başka araçlarla (el arabaları, stantlar veya taşıyıcılar) kullanılması, yaralanmaya neden olabilecek dengesizliğe yol açabilir.

Sistem Güvenliği

- İnternetin yapısı nedeniyle güvenlik riskleri barındırdığını ve şirketimizin siber saldırı, bilgisayar korsanı saldırısı veya başka bir internet güvenlik riskinden kaynaklanan anormal çalışma, gizlilik sızıntısı veya başka zararlar için hiçbir sorumluluk almayacağını kabul edersiniz. Ancak şirketimiz gerekirse zamanında teknik destek sağlayacaktır.
- Cihaz internete bağlandığında ağ güvenliği sorunları oluşabileceğinden lütfen kişisel bilgilerin korunduğundan ve veri güvenliği sağlandığından emin olun. Cihazda ağ güvenliği riskleri olduğunda lütfen bizimle iletişime geçin.
- Cihazla ilgili tüm parolaları ve diğer güvenlik ayarlarını yapılandırma ve kullanıcı adınızı ve parolanızı koruma sorumluluğunun sizde olduğunu unutmayın.

Bakım

- Ürün düzgün şekilde çalışmıyorsa lütfen bayiinizle veya en yakın servis merkeziyle iletişime geçin. Yetkisiz onarım veya bakımdan kaynaklanan sorunlar için herhangi bir sorumluluk kabul etmeyiz.
- Cihazın birkaç parçası (ör. Elektrolitik kapasitör) düzenli olarak değiştirilmelidir. Ortalama parça ömrü değişiklik göstermektedir bu nedenle periyodik kontrol önerilmektedir. Ayrıntılar için satıcınızla iletişime geçin.
- Cihazı temiz bir bez ve gerekirse az miktarda etanol ile hafifçe silin.
- Ekipman, üretici tarafından belirtilmeyen bir şekilde kullanılırsa cihaz tarafından sağlanan koruma bozulabilir.

- Yangın riskini azaltmak için sadece aynı tip ve değerinde sigorta ile değiştirin.
- Ekipmanın seri portu sadece hata ayıklama için kullanılır.

Kullanma Ortamı

- Çalışma ortamının cihazın gereksinimlerini karşıladığından emin olun. Çalışma sıcaklığı -40 °C ile 70 °C (-40 °F ile 158 °F) ve nem oranı %5 ile %95 arasında olmalıdır.
- Cihazı, kuru ve iyi havalandırılan bir ortama yerleştirin.
- Cihazı yüksek elektromanyetik radyasyona sahip veya tozlu ortamlarda BULUNDURMAYIN.
- Lensi, güneşe veya herhangi bir parlak ışığa doğru tutmayın.
- Ekipman, damlayan veya sıçrayan sıvılara maruz bırakılmamalı ve ekipmanın üzerine vazo gibi içi sıvı dolu nesnelerin konulmamasına dikkat edilmelidir.
- Ekipmanın üzerine yanan mum gibi açık alev kaynakları konulmamalıdır.
- Dağ tepesi, demir kule ve orman gibi özel koşullarda ekipmanın girişi açıklığında aşırı gerilim koruyucu sağlayın.
- ⚠ sembolü olan parçaları tuttuğunuzda parmaklarınız yanabilir. Kapattıktan sonra parçaları tutmadan önce bir buçuk saat bekleyin.

Acil Durum

- Cihazdan duman, koku veya ses geliyorsa hemen gücü kapatarak güç kablosunun bağlantısını kesin ve servis merkeziyle iletişime geçin.

Üretim Adresi

Oda 313, Birim B, Bina 2, 399 Danfeng Caddesi, Xixing Nahiyesi, Binjiang Bölgesi, Hangzhou, Zhejiang 310052, Çin
Hangzhou Microimage Software Co., Ltd.

UYGUNLUK BİLDİRİMİ: Termal serisi ürünler, sınırlama olmaksızın Amerika Birleşik Devletleri, Avrupa Birliği, Birleşik Krallık ve / veya Wassenaar Düzenlemesinin diğer üye ülkeleri dahil olmak üzere çeşitli ülke veya bölgelerde ihracat kontrollerine tabi olabilir. Termal serisi ürünleri farklı ülkeler arasında transfer etmeyi, ihraç etmeyi veya yeniden ihraç etmeyi düşünüyorsanız, lütfen gerekli ihracat lisansı gereklilikleri için profesyonel hukuk veya uyum uzmanınıza veya yerel hükümet yetkililerine danışın.



Русский

Кабели и интерфейсы

№	Функция	№	Функция
1	Кнопка сброса	7	Кабель 2 аварийной сигнализации
2	Карта памяти	8	Кабель 1 аварийной

№	Функция	№	Функция
			сигнализации
3	Последовательный порт отладки	9	Кабель RS-485
4	Кабель CVBS	10	Кабель питания постоянного тока
5	Аудиовход	11	Ethernet
6	Аудиовыход		

Символы и маркировка

	Примечание		i. Аксессуары, совместимые только с некоторыми моделями. ii. Различных типов и в различных количествах. iii. Пропустите этот шаг, если он не требуется.
	Внимание		Карта памяти MicroSD
	Запрещено		Заземление
	Правильно		Утилизация
	Неправильно		Приобретается отдельно
	Перейдите на стр. А и продолжите.		Другие ситуации

Активация и доступ к сетевой камере

Отсканируйте QR-код, чтобы активировать сетевую камеру и получить к ней доступ. Обратите внимание, что при отсутствии подключения к сети Wi-Fi может взиматься плата за передачу данных по мобильной сети.



Активация и доступ к
сетевой камере

Сброс и восстановление камеры

Для восстановления параметров по умолчанию, включая имя пользователя, пароль, IP-адрес, номер порта и т. д., нажмите кнопку сброса и удерживайте ее приблизительно 10 секунд, когда камера находится в режиме включения или перезапуска.

Руководство пользователя и часто задаваемые вопросы

Для получения подробных инструкций отсканируйте QR-код ниже и ознакомьтесь с **руководством пользователя**. Функции зависят от модели камеры. Учитывайте особенности фактического устройства.



Двухспектральная
сетевая цилиндрическая
камера



Тепловизионная
сетевая
цилиндрическая
камера



Часто задаваемые
вопросы (FAQ)

Нормативно-правовая информация
Ограничение ответственности
В МАКСИМАЛЬНОЙ СТЕПЕНИ, РАЗРЕШЕННОЙ
ДЕЙСТВУЮЩИМ ЗАКОНОДАТЕЛЬСТВОМ,
ДАННОЕ РУКОВОДСТВО И ОПИСАНИЕ ИЗДЕЛИЯ
ВМЕСТЕ С АППАРАТНОЙ ЧАСТЬЮ,
ПРОГРАММНЫМ ОБЕСПЕЧЕНИЕМ И
ВСТРОЕННОЙ МИКРОПРОГРАММОЙ
ПРЕДОСТАВЛЯЮТСЯ ПО ПРИНЦИПУ «КАК ЕСТЬ»
И «СО ВСЕМИ ВОЗМОЖНЫМИ НЕПОЛАДКАМИ И
ОШИБКАМИ». НИКМИСРО НЕ ДАЕТ НИКАКИХ
ЯВНЫХ ИЛИ ПОДРАЗУМЕВАЕМЫХ ГАРАНТИЙ, В

ТОМ ЧИСЛЕ ГАРАНТИЙ ТОВАРНОЙ
ПРИГОДНОСТИ, УДОВЛЕТВОРИТЕЛЬНОГО
КАЧЕСТВА ИЛИ ПРИГОДНОСТИ ДЛЯ
КОНКРЕТНЫХ ЦЕЛЕЙ. ПОТРЕБИТЕЛЬ
ИСПОЛЬЗУЕТ ИЗДЕЛИЕ НА СВОЙ СТРАХ И РИСК.
НИ ПРИ КАКИХ ОБСТОЯТЕЛЬСТВАХ КОМПАНИЯ
НИКМИСРО НЕ НЕСЕТ ОТВЕТСТВЕННОСТИ ПЕРЕД
ПОТРЕБИТЕЛЕМ ЗА КАКОЙ-ЛИБО СЛУЧАЙНЫЙ
ИЛИ КОСВЕННЫЙ УЩЕРБ, ВКЛЮЧАЯ, СРЕДИ
ПРОЧЕГО, УБЫТКИ ИЗ-ЗА ПОТЕРИ ПРИБЫЛИ,
ПЕРЕРЫВОВ В ДЕЯТЕЛЬНОСТИ, ПОТЕРИ
ДАННЫХ ИЛИ ДОКУМЕНТАЦИИ, ПОВРЕЖДЕНИЯ

СИСТЕМ, БУДЬ ТО ПО ПРИЧИНЕ НАРУШЕНИЯ ДОГОВОРА, ПРОТИВОПРАВНЫХ ДЕЙСТВИЙ (В ТОМ ЧИСЛЕ ХАЛАТНОСТИ), УЩЕРБА ВСЛЕДСТВИЕ ИСПОЛЬЗОВАНИЯ ИЗДЕЛИЯ ИЛИ ИНОГО В СВЯЗИ С ИСПОЛЬЗОВАНИЕМ ДАННОГО ИЗДЕЛИЯ, ДАЖЕ ЕСЛИ КОМПАНИИ НIKMICRO БЫЛО ИЗВЕСТНО О ВОЗМОЖНОСТИ ТАКОГО УЩЕРБА.

ПОТРЕБИТЕЛЬ ОСОЗНАЕТ, ЧТО ИНТЕРНЕТ ПО СВОЕЙ ПРИРОДЕ ЯВЛЯЕТСЯ ИСТОЧНИКОМ ПОВЫШЕННОГО РИСКА БЕЗОПАСНОСТИ И КОМПАНИА НIKMICRO НЕ НЕСЕТ ОТВЕТСТВЕННОСТИ ЗА СБОИ В РАБОТЕ ОБОРУДОВАНИЯ, УТЕЧКУ ИНФОРМАЦИИ И ДРУГОЙ УЩЕРБ, ВЫЗВАННЫЙ КИБЕРАТАКАМИ, ХАКЕРАМИ, ВИРУСАМИ ИЛИ СЕТЕВЫМИ УГРОЗАМИ; ОДНАКО НАША КОМПАНИА ОБЕСПЕЧИВАЕТ СВОЕВРЕМЕННУЮ ТЕХНИЧЕСКУЮ ПОДДЕРЖКУ, ЕСЛИ ЭТО НЕОБХОДИМО.

ПОТРЕБИТЕЛЬ СОГЛАШАЕТСЯ ИСПОЛЬЗОВАТЬ ДАННОЕ ИЗДЕЛИЕ В СООТВЕТСТВИИ СО ВСЕМИ ПРИМЕНИМЫМИ ЗАКОНАМИ И НЕСЕТ ЛИЧНУЮ ОТВЕТСТВЕННОСТЬ ЗА ИХ СОБЛЮДЕНИЕ. В ЧАСТНОСТИ, ПОТРЕБИТЕЛЬ НЕСЕТ ОТВЕТСТВЕННОСТЬ ЗА ИСПОЛЬЗОВАНИЕ ДАННОГО ИЗДЕЛИЯ БЕЗ НАРУШЕНИЯ ПРАВ ТРЕТЬИХ ЛИЦ, В ТОМ ЧИСЛЕ ПРАВ НА ПУБЛИЧНОСТЬ, ИНТЕЛЛЕКТУАЛЬНУЮ СОБСТВЕННОСТЬ И ЗАЩИТУ ДАННЫХ И ДРУГИХ ПРАВ НА СОХРАНЕНИЕ КОНФИДЕНЦИАЛЬНОСТИ. ПОТРЕБИТЕЛЬ ОБЯЗУЕТСЯ НЕ ИСПОЛЬЗОВАТЬ ЭТО ИЗДЕЛИЕ В ЗАПРЕЩЕННЫХ ЦЕЛЯХ, В ТОМ ЧИСЛЕ ДЛЯ РАЗРАБОТКИ ИЛИ ПРОИЗВОДСТВА ОРУЖИЯ МАССОВОГО УНИЧТОЖЕНИЯ, ХИМИЧЕСКОГО ИЛИ БИОЛОГИЧЕСКОГО ОРУЖИЯ, ОСУЩЕСТВЛЕНИЯ КАКОЙ-ЛИБО ДЕЯТЕЛЬНОСТИ В КОНТЕКСТЕ ЯДЕРНОГО ОРУЖИЯ, НЕБЕЗОПАСНЫХ ОПЕРАЦИЙ С ЯДЕРНЫМ ТОПЛИВОМ ИЛИ ДЛЯ ПОДДЕРЖКИ НАРУШЕНИЙ ПРАВ ЧЕЛОВЕКА. В СЛУЧАЕ РАЗНОЧТЕНИЙ МЕЖДУ НАСТОЯЩИМ РУКОВОДСТВОМ И ДЕЙСТВУЮЩИМ ЗАКОНОДАТЕЛЬСТВОМ ПРИОРИТЕТ ИМЕЕТ ПОСЛЕДНЕЕ.

Нормативная информация

Данные положения применяются только в том случае, если изделие снабжено соответствующей отметкой или информацией.

Декларация соответствия EU



Настоящее изделие и аксессуары, входящие в комплект его поставки (при их наличии), отмечены символом «CE», который обозначает их соответствие применимым согласованным европейским стандартам, перечисленным в Директиве 2014/30/EU (EMCD) и Директиве 2011/65/EU (RoHS).

Примечание. На изделия с входным напряжением 50–1000 В переменного тока или 75–1500 В постоянного тока распространяется Директива 2014/35/EU (LVD), а на все остальные изделия — Директива 2001/95/EC (GPSD). См. характеристики конкретного источника питания.

Предупреждение: Данное оборудование относится к классу «А». При использовании в бытовых целях данное оборудование может вызвать радиопомехи. В этом случае пользователю может потребоваться предпринять адекватные меры по их устранению.



Директива WEEE 2012/19/EU (Директива об утилизации отходов электрического и электронного оборудования): изделия, отмеченные

этим символом, запрещено утилизировать в Европейском союзе в качестве несортированных бытовых отходов. Для надлежащей переработки возвратите это изделие местному поставщику после покупки эквивалентного нового оборудования или утилизируйте его в предназначенных для этого пунктах сбора отходов. Для получения дополнительной информации посетите веб-сайт www.recyclethis.info.



Директива 2006/66/EC и поправка к ней 2013/56/EU (Директива о батареях): это изделие содержит

батарею, которую запрещено утилизировать в Европейском союзе в качестве несортированных бытовых отходов. Для получения конкретной информации о батарее см. документацию к изделию. Маркировка батареи может включать в себя символы, которые обозначают ее химический состав: кадмий (Cd), свинец (Pb) или ртуть (Hg). Для надлежащей утилизации отправьте батарею местному поставщику или утилизируйте ее в специальных пунктах приема отходов. Для получения дополнительной информации посетите веб-сайт www.recyclethis.info.

Инструкции по технике безопасности

Перед использованием внимательно ознакомьтесь с информацией по технике безопасности.

Законодательные акты и нормативные документы

Эксплуатация данного изделия должна выполняться в строгом соответствии с правилами безопасной эксплуатации электрооборудования, действующими в вашей стране и вашем регионе.

Транспортировка

- Используйте оригинальную или схожую упаковку для транспортировки устройства.

- После распаковки сохраните упаковочные материалы для дальнейшего использования. В случае неисправности вам потребуется вернуть устройство на завод в оригинальной упаковке. Транспортировка без оригинальной упаковки может привести к повреждению устройства, и компания не будет нести за это ответственности.
- Не роняйте и не ударяйте устройство. Устройство необходимо размещать вдали от источников электромагнитных помех.

Электропитание

- Приобретите зарядное устройство самостоятельно. Входное напряжение должно соответствовать ограниченному источнику питания напряжением 12 В постоянного тока или поддерживать PoE (802.3af) в соответствии со стандартом IEC62368 . Подробная информация приведена в таблице технических данных.
- Убедитесь, что вилка правильно подключена к розетке электропитания.
- Электрическая розетка должна находиться рядом с устройством и должна быть легко доступна.
- Во избежание перегрева или возгорания из-за перегрузки ЗАПРЕЩАЕТСЯ подключать несколько устройств к одному адаптеру питания.
- НЕ ПРИКАСАЙТЕСЬ к оголенным металлическим контактам на входах после отключения автоматического выключателя цепи. На них остается электрический заряд.
- + обозначает положительный контакт оборудования, который должен подключаться к источнику постоянного тока.
- - обозначает отрицательный контакт оборудования, который должен подключаться к источнику постоянного тока.

Батарея

- При установке батареи недопустимого типа существует риск взрыва. Утилизируйте использованные батареи в соответствии с инструкциями.
- Встроенная батарея не подлежит разборке. В случае необходимости ремонта обратитесь к производителю.
- При длительном хранении батареи полностью заряжайте ее каждые полгода, чтобы обеспечить ее работоспособность. В противном случае батарея может выйти из строя.
- Данное устройство не предназначено для использования в тех местах, где могут находиться дети.
- Установка батареи недопустимого типа может создать угрозу для безопасности (например, в случае некоторых типов литиевых батарей).

- Не бросайте батарею в огонь или горячую печь, не сдавливайте и не разрезайте батарею, поскольку это может привести к взрыву.
- Нахождение батареи в среде с чрезвычайно высокой температурой может привести к взрыву или к утечке горючей жидкости или газа.
- Нахождение батареи в среде с чрезвычайно низким давлением воздуха может привести к взрыву или к утечке горючей жидкости или газа.

Дополнительное освещение

- ⚠️ Луч света на расстоянии 200 мм относится к группе риска 2 (RG2). Данное изделие может испускать опасное оптическое излучение.
- ЗАПРЕЩАЕТСЯ смотреть на работающий источник света. Это может быть вредно для глаз.
- Используйте соответствующие средства защиты для глаз. При отсутствии таких средств защиты включайте свет только на безопасном расстоянии (2,9 м) или находитесь в области, которая непосредственно не подвергается воздействию света при установке или обслуживании устройства.

Установка

- Никогда не ставьте оборудование на неустойчивую поверхность. Падение оборудования на человека может стать причиной серьезных травм или смерти.
- Данное оборудование предназначено для использования только с подходящими кронштейнами. Использование оборудования с другими принадлежностями (тележками, подставками или держателями) может привести к травмам в результате неустойчивости устройства.

Безопасность системы

- Вы осознаете, что интернет по своей природе является источником повышенного риска безопасности, и наша компания не несет ответственности за сбои в работе оборудования, утечку информации и другой ущерб, вызванный кибератаками, хакерами; однако наша компания обеспечивает своевременную техническую поддержку, если это необходимо.
- Обязательно обеспечьте защиту личной информации и безопасность данных, поскольку при подключении устройства к сети Интернет могут возникнуть проблемы, связанные с сетевой безопасностью. Свяжитесь с нами, если при эксплуатации устройства возникает угроза безопасности сети.
- Помните, что вы несете ответственность за конфигурирование всех паролей и прочих параметров безопасности устройства, а также


за сохранность своего имени пользователя и пароля.

Техническое обслуживание

- Если изделие не работает должным образом, обратитесь к дилеру или к специалистам ближайшего сервисного центра. Компания-изготовитель не несет ответственности за неисправности, возникшие в результате несанкционированного ремонта или технического обслуживания.
- Некоторые компоненты устройства (например, электролитические конденсаторы) требуют регулярной замены. Средний срок службы этих компонентов может различаться, поэтому советуем периодически их проверять. Подробности уточняйте у продавца.
- При необходимости осторожно протрите устройство чистой салфеткой, смоченной небольшим количеством этилового спирта.
- Если оборудование используется способом, не указанным производителем, обеспечиваемая устройством безопасность может быть нарушена.
- Для снижения риска возникновения пожара используйте для замены предохранители только соответствующего типа и номинала.
- Последовательный порт оборудования предназначен только для отладки.

Требования к рабочей среде

- Убедитесь, что рабочая среда удовлетворяет требованиям надлежащей работы устройства. Рабочая температура должна быть в диапазоне от -40 °C до +70 °C, а влажность — в диапазоне от 5% до 95%.
- Размещайте устройство в сухой и хорошо проветриваемой среде.
- ЗАПРЕЩАЕТСЯ устанавливать устройство в условиях воздействия сильного электромагнитного излучения или в пыльной среде.

- Не направляйте объектив устройства на солнце или другие яркие источники света.
- Устройство не должно подвергаться воздействию капель и брызг; не допускается ставить на него предметы, наполненные жидкостью, например, вазы с цветами.
- Не ставьте на устройство источники открытого огня, например горящие свечи.
- В особых условиях, таких как горные вершины, железные башни и лесные массивы, установите ограничитель перенапряжения на входе оборудования.
- Опасность ожога пальцев при обращении с деталями, обозначенными символом . Перед прикосновением к деталям устройства подождите полчаса после его выключения.

Кнопка подачи экстренного сигнала тревоги

- При появлении дыма, необычного запаха или шума немедленно отключите питание устройства, извлеките вилку кабеля питания из розетки и обратитесь в сервисный центр.

Адрес производителя

Комната 313, помещение «В», корпус 2, 399 Danfeng Road, район Xixing, округ Binjiang, Hangzhou, Zhejiang 310052, Китай
Компания Hangzhou Microimage Software Co., Ltd.

УВЕДОМЛЕНИЕ О СООТВЕТСТВИИ: В различных странах и регионах, включая США, ЕС, Великобританию и/или другие страны, подписавшие Вассенарские соглашения, на тепловизионные устройства могут распространяться правила экспортного контроля. При необходимости транспортировки тепловизионных устройств обратитесь к юристу, специалисту по соблюдению нормативно-правового соответствия или местным органам власти для получения информации о разрешении на экспорт.



Українська

Кабелі й інтерфейс

№	Функція	№	Функція
1	Кнопка скидання	7	Сигнальний кабель 2
2	Карта пам'яті	8	Сигнальний кабель 1
3	Послідовний порт налагодження	9	Кабель RS-485
4	Кабель CVBS	10	Кабель живлення постійного струму

№	Функція	№	Функція
5	Аудіовхід	11	Ethernet
6	Аудіовихід		

Символи та позначки

	Примітка		i. Аксесуари придатні лише до певних моделей. ii. Різні типи та кількості. iii. Пропустіть цей крок, якщо не потрібно.
	Увага		Картка MicroSD
	Заборонено		Заземлення
	Правильно		Утилізація
	Неправильно		Придбати окремо
	Перейдіть до сторінки А і продовжуйте.		Інші ситуації

Активація мережевої камери й доступ до неї

Щоб дізнатися, як активувати мережеву камеру й здійснювати доступ до неї, зіскануйте цей QR-код. Зверніть увагу: якщо немає підключення до мережі Wi-Fi, може стягуватися плата за використання мобільного трафіку.



Активація мережевої камери й доступ до неї

Скидання та відновлення налаштувань камери

Натисніть і втримуйте кнопку скидання протягом близько 10 секунд під час вмикання або перезапуску камери, щоб відновити стандартні

налаштування, такі як ім'я користувача, пароль, IP-адреса, № порту тощо.

Посібник користувача; запитання й відповіді

Для отримання більш докладних інструкцій відскануйте наведений нижче QR-код і перегляньте посібник користувача. Функції можуть відрізнятися в залежності від моделі камери. Див. фактичний пристрій.



Циліндрична
двоспектральна
мережева камера



Циліндрична
тепловізійна
мережева камера



Запитання й
відповіді (FAQ)

Юридична інформація

Обмеження відповідальності

В МАКСИМАЛЬНИХ МЕЖАХ, ДОЗВОЛЕНИХ ЗАСТОСОВУВАНИМ ЗАКОНОМ, ЦЕ КЕРІВНИЦТВО ТА ОПИСАНИЙ ВИРІБ, З ЙОГО АПАРАТНИМ, ПРОГРАМНИМ ТА МІКРОПРОГРАМНИМ ЗАБЕЗПЕЧЕННЯМ, НАДАЮТЬСЯ «ЯК Є» ТА «ЗІ ВСІМА НЕДОЛІКАМИ ТА ПОМИЛКАМИ». НІКМІСРО НЕ НАДАЄ ЖОДНИХ ГАРАНТІЙ, ЯВНИХ АБО ОЧІКУВАНИХ, ВКЛЮЧАЮЧИ, БЕЗ ОБМЕЖЕНЬ, КОМЕРЦІЙНІ ЯКОСТІ, ЗАДОВІЛЬНУ ЯКІСТЬ АБО ПРИДАТНІСТЬ ДЛЯ ХАРАКТЕРНОЇ МЕТИ. ВИКОРИСТАННЯ ВИРОБУ ВІДБУВАЄТЬСЯ НА ВАШ ВЛАСНИЙ РИЗИК. КОМПАНІЯ НІКМІСРО НІ В ЯКОМУ РАЗІ НЕ НЕСЕ ВІДПОВІДАЛЬНОСТІ ПЕРЕД ВАМИ ЗА БУДЬ-ЯКІ СПЕЦІАЛЬНІ, ЛОГІЧНО ВИТИКАЮЧІ, ВИПАДКОВІ АБО НЕПРЯМІ ЗБИТКИ, ВКЛЮЧАЮЧИ, КРІМ ІНШОГО, ПОШКОДЖЕННЯ, ЩО ВЕДУТЬ ДО ВТРАТИ КОМЕРЦІЙНОГО ПРИБУТКУ, ПЕРЕРИВАННЯ ДІЛОВОЇ АКТИВНОСТІ АБО ВТРАТИ ДАНИХ, ПСУВАННЯ СИСТЕМ АБО ВТРАТИ ДОКУМЕНТАЦІЇ, НЕВАЖЛИВО, ЧИ ВНАСЛІДОК ПОРУШЕННЯ КОНТРАКТУ, ЦИВІЛЬНОГО ПРАВОПОРУШЕННЯ (ВКЛЮЧАЮЧИ НЕДБАЛИСТЬ), ВІДПОВІДАЛЬНОСТІ ЗА ВИРІБ, АБО ІНШИМ ЧИНОМ, ПОВ'ЯЗАНИХ З ВИКОРИСТАННЯМ ВИРОБУ, НАВІТЬ ЯКЩО КОМПАНІЯ НІКМІСРО ПОВІДОМЛЯЛА ПРО МОЖЛИВІСТЬ ТАКИХ ЗБИТКІВ АБО ВТРАТ. ВИ УСВІДОМЛЮЄТЕ, ЩО ПРИРОДА ІНТЕРНЕТУ НЕСЕ ПРИТАМАННІ РИЗИКИ ДЛЯ БЕЗПЕКИ, І КОМПАНІЯ НІКМІСРО НЕ БЕРЕ НА СЕБЕ НІЯКОЇ ВІДПОВІДАЛЬНОСТІ ЗА НЕНОРМАЛЬНУ РОБОТУ,

ВТРАТУ КОНФІДЕНЦІЙНОСТІ АБО ІНШІ ЗБИТКИ В РЕЗУЛЬТАТІ КІБЕР-АТАК, ХАКЕРСЬКИХ АТАК, ЗАРАЖЕНЬ ВІРУСАМИ АБО ІНШИХ РИЗИКІВ ДЛЯ БЕЗПЕКИ В ІНТЕРНЕТІ, ОДНАК, КОМПАНІЯ НІКМІСРО В РАЗІ НЕОБХІДНОСТІ НАДАЄ СВОЄЧАСНУ ТЕХНІЧНУ ПІДТРИМКУ. ВИ ПОГОДЖУЄТЕСЬ ВИКОРИСТОВУВАТИ ЦЕЙ ВИРІБ У ВІДПОВІДНОСТІ ДО ВСІХ ЗАСТОСОВУВАНИХ ЗАКОНІВ, І ВИ НЕСЕТЕ ОДНООСІБНУ ВІДПОВІДАЛЬНІСТЬ ЗА ЗАБЕЗПЕЧЕННЯ ВИКОРИСТАННЯ ВИРОБУ ВІДПОВІДНО ДО ЗАСТОСОВУВАНОВОГО ЗАКОНУ. ЗОКРЕМА, ВИ НЕСЕТЕ ВІДПОВІДАЛЬНІСТЬ ЗА ВИКОРИСТАННЯ ЦЬОГО ВИРОБУ СПОСОБОМ, ЯКИЙ НЕ ПОРУШУЄ ПРАВА ТРЕТІХ СТОРІН, ВКЛЮЧАЮЧИ, БЕЗ ОБМЕЖЕНЬ, ПРАВА РОЗГЛОШЕННЯ, ПРАВА ІНТЕЛЕКТУАЛЬНОЇ ВЛАСНОСТІ ТА ІНШІ ПРАВА ЩОДО КОНФІДЕНЦІЙНОСТІ. ВИ НЕ ПОВИННІ ВИКОРИСТОВУВАТИ ЦЕЙ ВИРІБ ДЛЯ БУДЬ-ЯКОГО ЗАБОРОНЕНОГО КІНЦЕВОГО ПРИЗНАЧЕННЯ, ВКЛЮЧАЮЧИ РОЗРОБКУ ЧИ ВИРОБНИЦТВО ЗБРОЇ МАСОВОГО ЗНИЩЕННЯ, РОЗРОБКУ ЧИ ВИРОБНИЦТВО ХІМІЧНОЇ АБО БІОЛОГІЧНОЇ ЗБРОЇ, БУДЬ-ЯКІ ДІЇ В КОНТЕКСТІ, ПОВ'ЯЗАНОМУ З ЯДЕРНОЮ ВИБУХОВОЮ РЕЧОВИНОЮ АБО НЕБЕЗПЕЧНИМ ЯДЕРНИМ ПАЛИВНИМ ЦИКЛОМ, АБО НА ПІДТРИМКУ ПОРУШЕНЬ ПРАВ ЛЮДИНИ. У РАЗІ БУДЬ-ЯКИХ ПРОТИРІЧ МІЖ ЦИМ КЕРІВНИЦТВОМ ТА ЗАСТОСОВУВАНИМ ЗАКОНОМ, ОСТАННІЙ МАЄ ПЕРЕВАГУ.

Нормативна інформація

Ці положення застосовуються лише до продуктів, які мають відповідний знак або інформацію.

Декларація відповідності нормативним вимогам ЄС



Цей виріб й аксесуари до нього (якщо є в комплекті) мають маркування «CE», а тому

відповідають чинним гармонізованим європейським стандартам, переліченим у Директиві з електромагнітної сумісності (EMCD) 2014/30/ЄС і Директиві щодо обмеження використання шкідливих речовин (RoHS) 2011/65/ЄС.

Примітка: Продукти з вхідною напругою від 50 до 1000 В змінного струму або від 75 до 1500 В постійного струму відповідають Директиві 2014/35/ЄС (LVD), а решта продуктів відповідає Директиві 2001/95/ЄС (GPSD). Щоб дізнатися напевно, перевірте інформацію про джерело живлення.

Увага: Це виріб класу А. У побутових умовах цей виріб може створювати радіоперешкоди, що може вимагати від користувача вжиття належних заходів.



Директива з утилізації електричного й електронного обладнання (WEEE) 2012/19/ЄС: Вироби, помічені цим символом, не можна утилізувати у

Європейському Союзі як несортвані побутові відходи. Щоб забезпечити правильну переробку цього виробу, поверніть його місцевому постачальнику під час придбання аналогічного нового обладнання, або здайте його до спеціально призначеного пункту збирання відходів. Більше інформації див. на сайті: www.recyclethis.info.



Директива 2006/66/ЄС із поправками 2013/56/ЄС (директива щодо акумуляторів): Цей виріб містить

батарею, яку не можна утилізувати в Європейському Союзі як несортвані побутові відходи. Інформацію щодо батареї див. у документації до виробу. Батарея помічена цим символом, який може включати букви, що вказують на наявність кадмію (Cd), свинцю (Pb) або ртуті (Hg). Щоб забезпечити правильну переробку батареї, поверніть її постачальнику або здайте до спеціалізованого пункту збирання відходів. Більше інформації див. на сайті: www.recyclethis.info.

Інформація щодо техніки безпеки

Перш ніж використовувати пристрій, прочитайте всю інформацію щодо техніки безпеки.

Закони та норми

Під час експлуатації виробу суворо дотримуйтеся державних і місцевих правил електричної безпеки.

Транспортування

- Під час транспортування зберігайте пристрій в оригінальному або подібному пакуванні.
- Після розпакування виробу зберігайте всі елементи упаковки для майбутнього використання. У разі виникнення будь-яких несправностей ви повинні будете повернути пристрій на завод з оригінальною упаковкою. Транспортування без оригінальної упаковки може призвести до пошкодження пристрою, за що компанія не несе відповідальності.
- Не допускайте падіння виробу або впливу на нього механічних ударів. Тримайте пристрій подалі від магнітних завод.

Живлення


- Придбайте зарядний пристрій самостійно. Вхідна напруга повинна відповідати джерелу живлення з обмеженням напруги (12 В постійного струму) або PoE (802.3af) відповідно до стандарту IEC62368. Щоб отримати докладну інформацію, див. технічні характеристики.
- Переконайтесь, що штепсельну вилку надійно зафіксовано в розетці.
- Розетка має бути встановлена біля обладнання і до неї повинен бути вільний доступ.
- НЕ ПІДКЛЮЧАЙТЕ декілька пристроїв до одного адаптера живлення, щоб уникнути перегрівання чи небезпеки пожежі внаслідок перенавантаження.
- НЕ ТОРКАЙТЕСЯ оголених металевих контактів на входах після вимкнення автоматичного вимикача. На них залишається електричний заряд.
- + позначає позитивну клему(и) обладнання, що використовує постійний струм чи генерує його. - позначає негативну клему(и) обладнання, що використовує постійний струм чи генерує його.

Батарея

- Встановлення батареї невідповідного типу може призвести до вибуху. Утилізуйте використані батареї згідно з інструкціями.
- Вбудовану батарею не можна знімати. Якщо потрібен ремонт, зверніться до виробника.
- У разі тривалого зберігання батареї повністю заряджайте її щопівроку, щоб забезпечити її роботоздатність. Інакше батарея може вийти з ладу.
- Це обладнання не підходить для використання в місцях, де можуть перебувати діти.

- Встановлення батареї невідповідного типу може призвести до порушення системи захисту (зокрема, у разі використання літєвих батарей деяких типів).
- Не кидайте батарею у вогонь або в гарячу піч, не розбивайте та не розрізуйте її. Це може призвести до вибуху.
- Не залишайте батарею в місцях із дуже високою температурою. Це може призвести до вибуху або витoku вогнєнебезпечної рідини або газу.
- Не залишайте батарею в місцях із дуже низьким атмосферним тиском. Це може призвести до вибуху або витoku вогнєнебезпечної рідини або газу.

Допоміжне світло

-  Промінь світла на відстані 200 мм належить до групи ризику 2 (RG2). Цей виріб може генерувати небезпечне оптичне випромінювання.
- НЕ ДИВІТЬСЯ на ввімкнене джерело світла. Це може зашкодити очам.
- Під час встановлення або обслуговування пристрою вдягайте відповідні засоби для захисту очей або вмикайте допоміжне світло тільки з безпечної відстані (2,9 м), чи у місці, куди не потрапляє прямий потік світла.

Установлення

- Ніколи не розміщуйте обладнання на хиткій поверхні. Обладнання може впасти, що може призвести до серйозної травми або смерті.
- Це обладнання можна використовувати лише з кронштейнами відповідного типу. Використання чогось іншого (візків, стійок або кріплень) може призвести до падіння обладнання й до травмування.

Безпека системи

- Ви усвідомлюєте, що природа Інтернету несе притаманні ризики для безпеки, і наша компанія не бере на себе ніякої відповідальності за ненормальну роботу, втрату конфіденційності або інші збитки в результаті кібератак і хакерських атак, однак наша компанія за потреби надасть своєчасну технічну підтримку.
- Забезпечте захист особистої інформації та захист даних, оскільки під час підключення до Інтернету пристрій може зіткнутися з проблемами мережевої безпеки. У разі виникнення ризиків для мережевої безпеки пристрою зверніться до нас.
- Усвідомте, що ви несете відповідальність за налаштування всіх паролів та інших параметрів безпеки пристрою, а також за збереження свого імені користувача та пароля.


Технічне обслуговування

- Якщо виріб не працює належним чином, зверніться до вашого дилера або найближчого сервісного центру. Ми не несемо

жодної відповідальності за проблеми, які виникли внаслідок недозволеного ремонту чи догляду.

- Пристрій містить декілька компонентів (наприклад, електролітичний конденсатор), які необхідно регулярно замінювати. Середній термін служби різниться, тому рекомендується регулярно перевіряти ці компоненти. Для додаткової інформації звертайтеся до вашого дилера.
- За потреби обережно протріть пристрій чистою тканиною, змоченою невеликою кількістю етилового спирту.
- Якщо обладнання використовується в спосіб, не зазначений виробником, то забезпечувану пристроєм безпеку може бути порушено.
- Для зменшення ризику пожежі замініть лише на запобіжник такого ж типу та з такими ж характеристиками.
- Послідовний порт обладнання використовується лише для налагодження.

Умови експлуатації

- Переконайтеся, що середа використання відповідає умовам експлуатації пристрою. Робоча температура має становити від -40 °C до +70 °C (від -40 °F до +158 °F), а робоча вологість – від 5 % до 95 % (без утворення конденсату).
- Розміщуйте пристрій у сухому середовищі з належною вентиляцією.
- НЕ ДОПУСКАЙТЕ потрапляння пристрою в середовище із сильним електромагнітним випромінюванням чи запилене середовище.
- НЕ СПРЯМОВУЙТЕ об'єкти на сонце або інші джерела яскравого світла.
- Не допускайте потрапляння на обладнання крапель чи бризок. Ніколи не ставте на обладнання предмети, наповнені рідиною, як-от вази.
- Забороняється розміщувати на обладнанні джерела відкритого вогню, як-от свічки, які горять.
- Якщо обладнання розміщується на вершині гори, залізної башти чи у лісі, встановіть на вході обмежувач напруги.
- Будьте обережні, щоб не обпекти пальці об деталі, помічені символом . Після вимикання живлення зачекайте півгодини, перш ніж працювати з цими деталями.

Аварійні ситуації

- Якщо пристрій випускає дим, запах або видає шум, негайно вимкніть живлення, від'єднайте кабель живлення та зверніться в сервісний центр.

Адреса виробника

Кімната 313, блок Б, будівля 2, 399 Данфен Роуд, підрайон Сісін, район Бінъцзян, м. Ханчжоу, Чжецзян, 310052, Китай
Hangzhou Microimage Software Co., Ltd.

ПРИМІТКА ЩОДО ВІДПОВІДНОСТІ
НОРМАТИВНИМ ВИМОГАМ: Пристрої теплової
серії можуть регулюватися положеннями
контролю експорту в різних країнах або регіонах,
включаючи, без обмежень, Сполучені Штати
Америки, Європейський Союз, Об'єднане
Королівств та/або інші країни-учасники

Вассенаарської домовленості.
Проконсультуйтеся з вашим професійним
юристом або експертом із відповідності
нормативним вимогам чи місцевими органами
влади щодо необхідності експортних ліцензій,
якщо ви плануєте передавати, експортувати або
реекспортувати пристрої теплової серії між
різними країнами.



한국어

케이블 및 인터페이스

번호	기능	번호	기능
1	초기화 버튼	7	알람 케이블 2
2	메모리 카드	8	알람 케이블 1
3	디버깅 시리얼 포트	9	RS-485 케이블
4	CVBS 케이블	10	DC 전원 케이블
5	오디오 입력	11	이더넷
6	오디오 출력		

기호 및 표시

	고지		i. 일부 모델에만 해당되는 액세서리입니다. ii. 유형과 수량이 다양합니다. iii. 필요하지 않은 경우 이 단계를 건너뜁니다.
	경고		MicroSD 카드
	금지됨		접지합니다
	정확함		폐기
	부정확함		별도 구매

	<p>페이지 A로 돌아가서 계속하십시오.</p>		<p>기타 상황</p>
---	--------------------------------	---	--------------

네트워크 카메라 활성화 및 액세스

네트워크 카메라를 활성화하고 액세스하려면 QR 코드를 스캔하십시오.
Wi-Fi를 사용할 수 없는 경우 모바일 데이터 요금이 부과될 수 있습니다.



네트워크 카메라 활성화
및 액세스

카메라 초기화 및 복원

카메라를 켜거나 재시작할 때 초기화 버튼을 약 10초 동안 누르면 사용자 이름, 비밀번호, IP 주소, 포트 등을 제외한 항목이 기본 설정으로 복원됩니다.

사용자 매뉴얼 및 FAQ

자세한 지침을 보려면 아래 QR코드를 스캔하여 사용자 매뉴얼을 참조하세요. 카메라 모델에 따라 기능이 다를 수 있습니다. 실제 제품을 참조하시기 바랍니다.



이중 스펙트럼 네트워크 볼렛 카메라



열화상 네트워크 볼렛 카메라



자주 묻는 질문

법률 정보 면책 조항

관련 법률에서 허용하는 최대 범위에서 본 매뉴얼 및 설명된 제품은 하드웨어, 소프트웨어와 펌웨어의 모든 결함 및 오류가 "있는 그대로" 제공됩니다. HIKMICRO는 상품성, 품질 만족도, 특정 목적에의 적합성 및 타사의 비침해를 포함하되 이에 국한되지 않고 명시적 또는 묵시적으로 보증하지 않습니다. 제품 사용 시 책임은 전적으로 사용자에게 있습니다. 어떠한 경우에도 HIKMICRO는 제품의 사용과 관련해 발생하는 특별한, 결과적, 부수적 또는 간접적 손해 및 특히 사업상의 이익 손실, 운영 중단으로 인한 손해 또는 데이터의 손실, 시스템 장애 또는 문서의 손실에 대해 계약 위반, 불법 행위(과실 책임 포함), 제조물 책임 또는 그 외 제품 사용 관련성과 관계없이 일절 책임지지 않으며 HIKMICRO이 해당 손상 또는 손실이 발생할 가능성을 권고한 경우에도 그렇습니다. 귀하는 인터넷의 특성상 본질적으로 보안 위험이 잠재해 있음을 인정하며, HIKMICRO는 사이버 공격, 해커 공격, 바이러스 감염 또는 기타 인터넷 보안 위험으로 인해 발생한 비정상 작동, 개인정보 유출 또는 기타 손해에 대해 일절 책임지지 않습니다. 그러나 HIKMICRO는 필요한 경우 시기적절하게 기술 지원을 제공합니다. 귀하는 해당되는 모든 법률을 준수해 본 제품을 사용하는 데 동의하며, 해당되는 법률을 준수해 사용하는 것은 전적으로 귀하의 책임입니다. 특히, 귀하는 퍼블리시티권, 지적 재산권, 데이터 보호 및 기타 개인 정보 보호권을 포함하되 이에 국한되지 않고 제3자의 권리를 침해하지 않는 방식으로 본 제품을 사용하는 것에 대해 책임을 집니다. 귀하는 대량 살상 무기 개발 또는 생산, 화학 또는 생물 무기 개발 또는 생산, 핵폭발 또는 안전하지 않은 핵연료 주기와 관련된 또는 인권 침해를 조장할 수 있는 개발 또는 생산을 포함해 금지된 최종 용도를 위해 본 제품을 사용하지 않습니다.

본 매뉴얼과 적용되는 법률 사이에 충돌이 발생하는 경우 법률이 우선합니다.

규제 정보

이 조항은 해당 마크 또는 정보가 있는 제품에만 적용됩니다.

EU 규정 준수 이행서



본 제품은 물론 제공되는 액세서리(해당되는 경우)에도 "CE"가 표시되어 있으므로 Directive 2014/30/EU(EMCD), Directive 2011/65/EU(RoHS)에 명시된 적용되는 유럽 공통 표준을 준수합니다.

노트: 입력 전압이 50~1000 VAC 또는 75~1500 VDC 이내인 제품은 Directive 2014/35/EU(LVD)를, 나머지 제품은 Directive 2001/95/EC(GPSD)를 준수합니다. 참조를 위해 특정 전원 공급 장치 정보를 확인하십시오.

경고: A등급 제품입니다. 가정 환경에서 본 제품은 전파장애를 일으킬 수 있으며, 이 경우 사용자가 적절한 조치를 해야 할 수 있습니다.



Directive 2012/19/EU (WEEE 지침): 이 기호가 표시된 제품은 유럽 연합 내에서 분류되지 않은 일반폐기물로 폐기할 수 없습니다. 적절히 재활용하기 위해 동급 장비를 새로 구매할 때 현지 공급업체에 제품을 반납하거나 지정된 수거 장소에 폐기하십시오. 자세한 내용은 www.recyclethis.info를 참조하십시오.



Directive 2006/66/EC 및 개정 2013/56/EU(배터리 지침): 본 제품에는 유럽 연합 내에서 분류되지 않은 일반폐기물로 폐기할 수 없는 배터리가 포함되어 있습니다. 특정 배터리에 관한 자세한 내용은 제품 관련 문서를 참조하십시오. 이 기호가 표시된 배터리에는 카드뮴(Cd), 납(Pb) 또는 수은(Hg)을 나타내는 글자가 포함될 수 있습니다. 적절히 재활용하기 위해 공급업체에 배터리를 반납하거나 지정된 수거 장소에 폐기하십시오. 자세한 내용은 www.recyclethis.info를 참조하십시오.

KC

A급 기기: 이 기기는 업무용(A급) 전자파적합기기로서 판매자 또는 사용자는 이 점을 주의하시기바라며, 가정 외의 지역에서 사용하는 것을 목적으로 합니다.

안전 정보

사용하기 전에 모든 안전 정보를 주의 깊게 읽으십시오.

법률 및 규정

본 제품을 사용할 때는 해당 국가 및 지역의 전기 안전 규정을 철저히 준수해야 합니다.

운반

- 장비를 운반할 때는 본래 포장재 또는 유사한 포장재에 장비를 놓으십시오.
- 포장을 푼 다음에는 나중에 사용할 수 있도록 모든 포장재를 보관하십시오. 고장이 발생할 경우에는 장비를 본래 포장 상태로 포장해 공장으로 반품해야 합니다. 본래 포장 상태로 운송하지 않으면 장비가 손상될 수 있으며, 회사는 일절 책임지지 않습니다.
- 제품을 떨어뜨리거나 물리적 충격을 가하지 마십시오. 장비가 전자파의 간섭을 받지 않도록 하십시오.

전원 공급 장치

- 충전기는 직접 구입하십시오. IEC62368 표준에 따라 입력 전압은 12VDC의 LPS 또는 PoE(802.3af)를 충족해야 합니다. 자세한 내용은 기술 사양을 참조하십시오.
- 플러그가 전원 소켓에 올바르게 연결되어 있는지 확인하십시오.
- 콘센트는 장비 근처에 설치되어 있어야 하고 쉽게 접근할 수 있어야 합니다.
- 과부하로 인한 과열 또는 화재 위험을 방지하기 위해 하나의 전원 어댑터에 여러 장비를 연결하지 마십시오.
- 회로 차단기가 꺼진 후 인렛에 있는 노출된 금속 접점을 손으로 만지지 마십시오. 전기가 남아 있습니다.
- +은 직류에 사용하거나 직류를 생성하는 장비의 양극 터미널을 의미합니다. -은 직류에 사용하거나 직류를 생성하는 장비의 음극 터미널을 의미합니다.

배터리

- 배터리를 잘못된 유형으로 교체하면 폭발의 위험이 있습니다. 사용한 배터리는 지침을 준수해 폐기하십시오.
- 내장된 배터리는 분해할 수 없습니다. 수리가 필요한 경우 제조사에 연락하십시오.
- 배터리를 장기간 보관하는 경우 배터리의 품질을 보장하기 위해 6개월마다 완충하십시오. 그렇지 않을 경우 손상될 수 있습니다.
- 이 장비는 어린이가 있을 수 있는 장소에서 사용하기에 적합하지 않습니다.
- 배터리를 잘못된 유형으로 부적절하게 교체하면 안전장치가 작동하지 않을 수 있습니다(예: 일부 리튬 배터리 유형의 경우).
- 배터리를 불 또는 뜨거운 오븐에 넣거나 기계적으로 부수거나 절단하지 마십시오. 폭발의 위험이 있습니다.
- 배터리를 주변 온도가 매우 높은 곳에 두지 마십시오. 폭발하거나 인화성 액체 또는 기체가 누출될 수 있습니다.
- 배터리를 기압이 매우 낮은 곳에 두지 마십시오. 폭발하거나 인화성 액체 또는 기체가 누출될 수 있습니다.

보완 조명

- ▲200mm 거리에 있는 광선은 위험 그룹 2(RG2)로 분류됩니다. 이 제품에서 방출되는 유해할 수 있는 광학 방사선.
- 작동 중인 광원을 응시하지 마십시오. 눈에 해로울 수 있습니다.
- 장비 설치 및 유지보수 시에는 적절한 보안경을 착용하거나 안전한 거리(2.9m) 또는 빛에 직접 노출되지 않는 영역에서만 보완 조명을 켜십시오.

설치

- 장비를 불안정한 장소에 놓아서는 절대 안 됩니다. 장비가 추락해 심각한 부상 또는 사망을 초래할 수 있습니다.
- 이 장비는 해당하는 브래킷만 사용할 수 있습니다. 다른 브래킷(카트, 스탠드 또는 캐리어)을 사용하면 불안정해져 부상을 초래할 수 있습니다.

시스템 보안

- 귀하는 인터넷의 특성상 본질적으로 보안 위험이 잠재해 있음을 인정하며, 당사는 사이버 공격, 해커 공격, 바이러스 감염 또는 기타 인터넷 보안 위험으로 인해 발생한 비정상 작업, 개인정보 유출 또는 기타 손해에 대해 일절 책임지지 않습니다. 그러나 당사는 필요한 경우 시기적절하게 기술 지원을 제공합니다.
- 인터넷에 연결되어 있는 경우 네트워크 보안 문제가 발생할 수 있으므로 개인정보 보호 및 데이터 보안을 강화해 주시기 바랍니다. 장비에 네트워크 보안 위험이 있을 수 있는 경우 당사에 연락해 주십시오.
- 귀하는 장비와 관련된 모든 비밀번호 및 기타 보안 설정을 구성하고 사용자 이름 및 비밀번호를 관리할 책임이 있음을 이해합니다.

유지 관리

- 제품이 제대로 작동하지 않을 경우 판매점 또는 가까운 서비스 센터에 문의하십시오. 당사는 무단 수리 또는 유지 관리로 인해 발생한 문제에 대해 일절 책임지지 않습니다.
- 장비의 일부 구성 요소(예: 전해 커패시터)는 주기적으로 교체해야 합니다. 평균 수명은 상황에 따라 다르므로 정기 점검을 권장합니다. 자세한 내용은 판매점에 문의하십시오.
- 필요한 경우 깨끗한 헝겊에 에탄올을 소량 묻혀 장비를 살살 닦아주십시오.
- 제조사가 지정하지 않은 방식으로 장비를 사용하는 경우 장비에 의해 제공되는 보호 성능이 손상될 수 있습니다.
- 화재의 위험을 방지하기 위해 유형 및 등급이 동일한 퓨즈로만 교체하십시오.
- 장비의 시리얼 포트는 디버깅에만 사용됩니다.

사용 환경

- 작동 환경이 장비의 작동 요구 사항을 충족하도록 하십시오. 작동 온도는 -40 °C ~ 70 °C(-40 °F ~ 158 °F), 습도는 5% ~ 95%여야 합니다.
- 장비를 건조하고 통풍이 잘되는 환경에 두십시오.

- 장비를 전자파 방사가 높거나 먼지가 많은 환경에 노출하지 마십시오.
- 렌즈를 태양 또는 기타 밝은 빛에 조준하지 마십시오.
- 물이 떨어지거나 튀는 곳에 장비를 노출되어서는 안 되며 꽃병과 같이 액체가 들어 있는 물체를 장비 위에 두어서는 안 됩니다.
- 불이 켜진 촛불과 같이 불꽃이 드러나는 화염원을 장비 위에 놓지 마십시오.
- 산 정상, 철탑, 숲과 같은 특수한 조건에서 장비의 인렛 개구부에 서지 억제기를 사용하십시오.
- ⚠ 기호가 있는 부품을 취급할 때는 손가락에 화상을 입을 수 있습니다. 부품을 다루기 전에 전원을 끈 후 약 30분 기다리십시오.

비상 버튼

- 장비에서 연기, 냄새 또는 소음이 발생하면 즉시 전원을 끄고 전원 케이블을 뽑은 다음 서비스 센터에 연락하십시오.

제조사 주소

중국저장성310052항저우빈장구시싱하위지구단평가 399 빌딩 2,B동, 룸 313
Hangzhou Microimage Software Co., Ltd.



규정 준수 알림: 열화상 시리즈 제품은 미국, 유럽 연합, 영국 및/또는 기타 바세나르 협정국을 포함하되 이에 국한되지 않고 여러 국가 및 지역의 수출 통제 대상이 될 수 있습니다. 열화상 시리즈 제품을 국가 간 운송, 수출, 재수출하려는 경우 필요한 수출 라이선스 요구 사항에 대해 법률 또는 규정 준수 전문가 또는 해당 국가의 정부 기관에 문의하십시오.

日本語

ケーブルとインターフェイス

番号	機能	番号	機能
1	リセットボタン	7	アラームケーブル2
2	メモリカード	8	アラームケーブル1
3	デバッグシリアルポート	9	RS-485ケーブル
4	CVBSケーブル	10	DC電源ケーブル
5	音声入力	11	イーサネット
6	音声出力		

記号とマーク

	注意		<p>i. 一部の機種にのみ適用される付属品です。</p> <p>ii.種類と数量が変更されます。</p> <p>iii.必要ない場合は、このステップをスキップしてください</p>
---	----	---	--

			い。
	警告	microSD 	microSDカード
	禁止		アース
	補正		廃棄
	不正		別途購入
	Aページに進んで、続けて ください。		その他の状況

ネットワークカメラの起動とアクセス

QRコードをスキャンしてネットワークカメラのアクティベーションとアクセスを行います。Wi-Fiが利用できない場合、モバイルデータ通信料が発生する可能性があります。



ネットワークカメラの起動
とアクセス

カメラのリセットと初期化

カメラに電源が投入されている間または再起動している間に「リセット」ボタンを約10秒間押しすと、ユーザー名、パスワード、IP アドレス、ポート番号などが初期設定に復帰します。

ユーザーマニュアルとFAQ

詳細な操作方法は、下のQRコードをスキャンしてユーザーマニュアルをご覧ください。機能はカメラのモデルによって異なります。実際の製品を手にとって参照してください。



バイスペクトルネットワークカメラ
サーマルネットワークカメラ

FAQ

法的情報 免責事項

適用法で認められる最大限の範囲で、本マニュアルおよび説明されている製品（ハードウェア、ソフトウェア、ファームウェアを含む）は、[現状のまま]および[すべての欠陥とエラーがある]状態で提供されます。HIKMICROでは、明示あるいは黙示を問わず、商品性、満足な品質、または特定目的に対する適合性などを一切保証しません。本製品は、お客様の自己責任においてご利用ください。HIKMICROは、本製品の利用に関連する事業利益の損失や事業妨害、データの損失、システムの障害、文書の損失に関する損害を含む特別、必然、偶発または間接的な損害に対して、それが契約に対する違反、不法行為（過失を含む）、製品の責任または製品の使用に関連するものであっても、たとえHIKMICROがそうした損害および損失について通知を受けていたとしても、一切の責任を負いません。

お客様は、インターネットにはその性質上固有のセキュリティリスクがあることを了解し、異常動作、プライバシーの流出、またはサイバー攻撃、ハッカー攻撃、ウイルス感染等のインターネットセキュリティリスクによる損害について、HIKMICROは一切責任を負いません。ただし、必要に応じてHIKMICROは適時技術的サポートを提供します。

お客様には、すべての適用法に従って本製品を利用し、さらにご自分の利用法が適用法を順守していることを確認する責任があります。特に、肖像権、知的財産権、またはデータ保護等のプライバシー権を非限定的に含むサードパーティの権利を侵害しない手段で本製品を利用する責任があります。大量破壊兵器の開発や生産、化学兵器・生物兵器の開発や生産、核爆発物や危険な核燃料サイクル、または人権侵害に資する活動を含む、禁じられている最終用途の目的で本製品を使用してはなりません。

本マニュアルと適用法における矛盾がある場合については、後者が優先されます。

規制情報

これらの条項は、対応するマークまたは情報が付された製品にのみ適用されます。

EU 適合宣言



本製品および同梱の周辺機器（適用可能な場合）には「CE」マークが付いており、指令2014/30/EU (EMCD) および指令2011/65/EU (RoHS) の下に記載されている該当欧州統一規格に準拠しています。

注意：入力電圧が50～1000VACまたは75～1500VDC以内の製品は指令2014/35/EU (LVD) に準拠し、それ以外の製品は指令2001/95/EC (GPSD) に準拠しています。参照として、具体的な電源情報を確認してください。

警告：本製品はクラスA製品です。居住環境において、本製品は電波干渉を起こす可能性があり、ユーザーが十分な措置を講じる必要が発生することがあります。



指令2012/19/EU (WEEE 指令)：この記号が付いている製品は、欧州連合 (EU) の地方自治体の未分別廃棄物として処分できません。適切にリサイクルするために、本製品は同等の新しい装置を購入する際に、お近くの販売業者に返却いただくか、指定された収集場所で処分してください。詳細については以下を参照してください：www.recyclethis.info。



指令2006/66/ECおよびその修正案 2013/56/EU (バッテリー指令)：本製品には、欧州連合 (EU) の地方自治体の未分別廃棄物として処分できないバッテリーが含まれ

ています。特殊バッテリーに関する製品資料をご覧ください。バッテリーにはこの記号が付いており、カドミウム (Cd)、鉛 (Pb)、水銀 (Hg) を示す文字も記載されています。適切にリサイクルするために、販売業者か、指定された収集場所にご返却ください。詳細については以下を参照してください：
www.recyclethis.info。

安全に関する情報

ご使用前に、安全情報をよくお読みください。

法規と規則

製品の使用にあたって、国や地域の電気の安全性に関する法令に厳密にしたがう必要があります。

輸送

- 輸送中は、デバイスを元のパッケージまたは類似したパッケージに梱包してください。
- 開梱後は、後日使用できるように、梱包材を保存しておいてください。不具合が発生した場合、元の梱包材を使用して工場に機器を返送する必要があります。元の梱包材を使用せずに返送した場合、破損が発生する恐れがありますが、その際に、当社は一切責任を負いません。
- 製品を落下させたり、物理的な衝撃を与えないでください。本器を電磁妨害から遠ざけてください。

電源

- ご自分で充電器をお求めください。入力電圧は、IEC62368規格の限定電源12V DC、またはPoE (802.3af) を満たす必要があります。詳細情報に関しては技術仕様を参照してください。
- プラグが適切に電源ソケットに接続されていることを確認してください。
- ソケットアウトレットは、簡単にアクセスできるように、機器の近くに取り付けてください。
- 1台の電源アダプターに2台以上の機器を接続してはなりません。過負荷によって過熱したり、火災発生の危険があります。
- サーキットブレーカーをオンにしたら、インレットの金属接点に直接指を触れないでください。通電されています。
- +は、直流で使用されるか、または直流の電流を生成する機器の正極端子を識別します。-は、直流で使用されるか、または直流の電流を生成する機器の負極端子を識別します。

バッテリー

- バッテリーを不正な種別のもので交換すると爆発の危険があります。使用済みバッテリーは、指示に従って廃棄してください。
- 内蔵バッテリーは取り外しできません。修理については必要に応じてメーカーにお問い合わせください。
- バッテリーを長期保存する場合は、半年に一度はフル充電して、バッテリーの品質を保つようにしてください。これを怠った場合、破損の原因となります。
- この機器は、子供が近づく可能性のある場所での使用には適していません。
- 不正な種別のバッテリーとの不適切な交換は、安全装置を無効にする場合があります(たとえば、一部のリチウムバッテリータイプの場合など)。
- バッテリーを火や高温のオープンの中に投入したり、バッテリーを機械的に粉砕したり切断したり

しないでください。爆発の原因となることがあります。

- バッテリーを非常に高温の環境に放置しないでください。爆発や、可燃性の液体およびガスの漏出を引き起こす可能性があります。
- バッテリーを極端に低い空気圧下に置かないでください。爆発したり、可燃性の液体やガスが漏出することがあります。

補助ライト

- ▲200mmの距離での光線は、リスクグループ2 (RG2) に分類されます。本製品から放出される光放射が有害である可能性があります。

- 動作中の光源を注視しないでください。眼に悪影響を及ぼす恐れがあります。
- 本デバイスの設置やメンテナンスを行う際は、適切な保護メガネを着用するか、安全な距離 (2.9m) または直接光が当たらない場所でのみ補助ライトを点灯してください。

設置

- 機器は不安定な場所に置かないでください。機器が落下して、使用者が死亡したり怪我を負う恐れがあります。
- この機器は、対応する取付金具でのみ使用できません。他のもの(カート、スタンド、キャリア)などで使用すると、不安定になり、けがをする可能性があります。

システムのセキュリティ

- お客様は、インターネットにはその性質上固有のセキュリティリスクがあることを了解し、異常動作、プライバシーの流出、またはサイバー攻撃やハッカー攻撃などによるその他の損害について、当社は一切責任を負いません。ただし、必要に応じて当社は適時技術的サポートを提供します。
- インターネットに接続するとデバイスがネットワークセキュリティの問題に直面することがありますから、個人情報やデータセキュリティを確実に保護してください。デバイスにネットワークセキュリティのリスクがある場合は、当社にご連絡ください。
- お客様は、デバイスに関するすべてのパスワードやその他のセキュリティ設定を行い、ユーザー名とパスワードを保管する責任があることをご理解ください。

メンテナンス

- 製品が正しく動作しない場合、販売店または最寄りのサービスセンターに連絡してください。承認されていない修理や保守行為による問題について、当社はいかなる責任も負いません。
- 一部のデバイスコンポーネント (電解コンデンサなど) は、定期的に交換する必要があります。製品の平均寿命は変動するため、定期的な点検をお勧めします。詳細については、販売店にお問い合わせください。
- 必要ならば、エタノールを少量含ませたきれいな布でデバイスを静かに拭きます。
- メーカーが指定していない方法で使用した場合、デバイスが提供する保護機能が損なわれる恐れがあります。

- 火災の危険を減らすために、ヒューズは同じ種類、定格のものとのみ交換してください。
- 機器のシリアルポートはデバッグの目的にのみ使用されます。

使用環境

- 実行環境がデバイスの要件を満たしていることを確認します。動作温度は-40℃～70℃ (-40°F～158°F)、湿度は5%～95%である必要があります。
- デバイスは、乾燥して換気の良い環境に配置してください。
- デバイスを強い電磁波や埃の多い環境にさらさないでください。
- レンズを太陽や極端に明るい場所に向けしないでください。
- 機器を水滴や水しぶきにさらさないでください。また、花瓶などの液体が入った物を機器の上に置かないでください。
- ろうそくの火のような裸火を機器の上に置かないでください。
- 山頂、鉄塔、森林などの特殊な状況では、機器のインレット開口にサージ防護機器を設置してください。

- 記号▲の付いた部分に手を触れると火傷します。スイッチを切って30分経過してから、部品に手を触れてください。

緊急

- デバイスから煙や異臭、異音が発生した場合、すぐに電源を切り、電源ケーブルを抜いて、サービスセンターにご連絡ください。

メーカー住所

310052 中国浙江省杭州市滨江区西興地区段鳳通り
399号2棟ユニットB 313号室
Hangzhou Microimage Software Co., Ltd.





法令順守通知：本サーマルシリーズ製品は、アメリカ合衆国、欧州連合、英国などワッセナー・アレンジメントの会員国を含むがそれだけに限定されない各国・各地域で、輸出管理の対象となる可能性があります。サーマルシリーズ製品を外国へ転送・輸出・再輸出する場合は、貴社の法務・コンプライアンス部門もしくは自国の政府機関に、輸出ライセンスの条件についてご確認ください。

繁體中文

連接線和介面

編號	功能	編號	功能
1	重設按鈕	7	警報線 2
2	記憶卡	8	警報線 1
3	偵錯埠	9	RS-485 纜線
4	CVBS 纜線	10	DC 電源線
5	音訊輸入	11	乙太網路
6	音訊輸出		

符號與標記

	注意事項		i. 僅部分機型提供配件。 ii. 多種類型和數量。 iii. 此步驟如非必要可忽略。
	警告	microSD 	MicroSD 卡

	嚴禁		接地
	正確		廢棄
	錯誤		另外購買
	切換到頁面 A 繼續。		其他情況

啟用及存取網路攝影機

掃描 QR 碼以啟用和存取網路攝影機。請注意，如果無法使用 Wi-Fi，可能需要支付行動數據費用。



啟用及存取網路攝影機

重設和還原攝影機

攝影機開啟電源或重新啟動時按下重設按鈕約 10 秒即可還原預設的設定，包括使用者名稱、密碼、IP 位址、埠號等。

使用手冊與常見問答集

更多有關指示的詳細指示，請掃描下方 QR 碼查閱使用手冊。不同攝影機機型的功能可能不同。請參考實際產品。



雙光譜網路槍型攝影機



熱像網路槍型攝影機



常見問答集

法律資訊 免責聲明

在適用法律允許的最大範圍內，本手冊及所描述產品，其硬體、軟體和韌體均以「現狀」提供，瑕疵錯誤概不負責。HIKMICRO 不作任何明示或暗示的保證，包括但不限於適售性、品質滿意度或適合某特定用途。您必須承擔使用本產品的風險。對於任何特殊、衍生、偶發或間接的損害，包括但不限於營業利潤損失、營業中斷，或者資料遺失、系統毀損或文件遺失，只要是基於違反合約、侵權（包括過失）、產品責任或產品使用（即使 HIKMICRO 已知悉可能有此類損害或損失），HIKMICRO 概不負責。

您了解網際網路的性質具有固有的安全風險，對於因網路攻擊、駭客攻擊、病毒感染或其他網路安全風險而造成的異常運作、隱私洩漏或其他損害，HIKMICRO 概不承擔任何責任；但 HIKMICRO 將提供及時的技術支援。

您同意依照所有適用法律使用本產品，而且您有責任確保您的使用符合適用法律。特別是，您有責任在使用本產品時不侵犯第三方權利，包括但不限於出版權、知識財產權或資訊保護以及其他隱私權。您不得將本產品用於任何禁止的最終用途，包括開發或生產大規模毀滅性武器、開發或生產化學武器或生物武器，以及任何有關核爆炸或不安全核燃料循環的任何活動，或支持侵犯人權。

如果本手冊與適用法律產生任何衝突，以後者為準。

法規資訊

這些條款僅適用於帶有對應標記或資訊的產品。

EU 合規性聲明



本產品及（如果適用）其附件都已標示「CE」，因此符合適用指令 2014/30/EU (EMCD) 和指令 2011/65/EU (RoHS)

所列統一歐洲標準。

注意事項：輸入電壓在 50 至 1000 VAC 或 75 至 1500 VDC 範圍內的產品符合指令 2014/35/EU (LVD)，且其餘產品符合指令 2001/95/EC (GPSD)。請查看具體的電源供應資訊以供參考。

警告：這是 A 類產品。在家庭環境中，本產品可能會造成無線電干擾，在這種情況下，使用者可能需要採取適當的措施。



指令 2012/19/EU (WEEE 指令)：已標示此符號的產品在歐盟不得當成未分類的都市廢棄物處理。為了正確回收，請在購買同等的新設備時將本產品退回當地供應商，或將其棄置在指定的回收點。詳細資訊請參

閱 www.recyclethis.info。



指令 2006/66/EC 及其修訂 2013/56/EU (電池指令)：本產品內含一顆電池，在歐盟區不能當成未分類的都市廢棄物處理。有關特定的電池資訊，請參閱產品說明文件。已標示此符號的電池可能含有代表鎘 (Cd)、鉛 (Pb) 或汞 (Hg) 的字母。為正確回收，請將電池送回供應商或指定的回收點。詳細資訊請參閱 www.recyclethis.info。

安全性資訊

使用前請先閱讀所有的安全性資訊。

法律和法規

在使用產品時，必須嚴格遵守國家和地區的電氣安全法規。

運輸

- 在運送裝置時，請將裝置放入原本的或類似的包裝中。
- 在拆封後保留所有包裝以供將來使用。如果發生任何故障，則需要利用原本的包裝將裝置送回工廠。未使用原本的包裝運輸可能會導致裝置損壞，本公司概不承擔任何責任。
- 請勿使本產品掉落或遭受撞擊。請勿讓裝置受到磁性干擾。

電源供應


- 請自行購買充電器。輸入電壓應符合 IEC62368 標準的 12 VDC 有限電源、或 PoE (802.3af) 規定。如需詳細資訊，請參閱技術規格。
- 確認已將插頭正確連接至電源插座。
- 電源插座應安裝在裝置附近，而且伸手可及。
- 請勿將多個裝置連接至相同電源變壓器以避免過熱，或因過載造成火災危險。
- 關閉斷路器後，禁止觸碰進電處的外露接點。仍有電力。
- 「+」代表裝置的正極，搭配使用或產生直流電。「-」代表裝置的負極，搭配使用或產生直流電。

電池

- 若更換的電池類型不正確，會有爆炸的風險。請依照指示棄置使用過的電池。
- 內建電池無法拆卸。如有需要，請聯絡製造商進行維修。
- 為了長期儲存電池，請確保電池每半年充滿電，以確保電池品質。否則，可能會造成損壞。
- 本裝置不適合在兒童可能出現的場所使用。
- 換錯類型不正確的電池，可能會使保護措施失效（例如，某些類型的鋰電池）。

- 禁止將電池棄置火中或高溫烤箱中，並禁止使用機械來壓碎或切碎電池，否則可能導致爆炸。
- 禁止將電池置於極高溫的環境中，否則可能導致爆炸或造成易燃液體或氣體洩漏。
- 禁止將電池置於極低空氣壓力下，否則可能導致爆炸或造成易燃液體或氣體洩漏。

補光燈

-  距離為 200 mm 的光束會歸類為風險群組 2 (RG2)。本產品可能發出有害的光學輻射。
- 請勿盯著操作中的光源。可能對眼睛有害。
- 安裝或維護裝置時，僅在安全距離 2.9 m 處或光線未直射的區域中才佩戴適當的護目鏡或開啟補光燈。

安裝

- 切勿將裝置置於不牢固的地方。裝置可能會因此掉落，造成嚴重的人員傷亡。
- 本裝置僅可使用指定的支架。與其他物品（推車、支架或運輸車）搭配使用，可能會導致不穩定而造成傷害。

系統安全性


- 您瞭解網際網路在本質上具有安全風險，對於因網路攻擊、駭客攻擊、病毒感染或其他網路安全風險而造成的運作異常、隱私洩漏或其他損害，本公司一概不負責；但本公司將提供及時的技術支援。
- 請採取個人資訊與資料安全措施，因為當裝置連接到網際網路時，可能會遭遇網路安全問題。若是裝置有網路安全風險的問題，請與我們聯絡。
- 請瞭解您必須負責替裝置設定所有密碼和其他安全性設定，並記下您的使用者名稱和密碼。

維護

- 如果產品無法正常運作，請聯絡您的經銷商或最近的服務中心。對於因未經授權的維修或保養而造成的問題，本公司概不承擔任何責任。
- 部分裝置組件（例如電解電容）需要定期更換。平均壽命不同，因此建議定期檢查。如需詳細資訊，請聯絡您的零售商。

- 如有需要，請使用乾淨的布和少量酒精輕輕擦拭裝置。
- 如果以製造商未指定的方式使用設備，則可能會影響裝置所提供的保護。
- 為降低火災風險，只能更換類型與額定值相同的保險絲。
- 裝置的序列埠僅供調整使用。

使用環境

- 請確定操作環境符合裝置的需求。工作溫度應為 -40 °C 至 70 °C (-40 °F 至 158 °F)，且濕度應為 5% 至 95%。
- 將裝置放在乾燥且通風良好的環境中。
- 請勿使裝置暴露於高電磁輻射或塵土飛揚的環境中。
- 請勿將鏡頭瞄準陽光或任何其他明亮的光線。
- 本裝置不得曝露在會滴水或濺水的環境中，且不得將裝有液體的物品（例如花瓶）放在裝置上。
- 不得將開放性火源（例如點燃的蠟燭）放置在裝置上。
- 在特殊環境，例如山頂、鐵塔和森林中，請在裝置的進電處加上突波抑制器。
- 處理這些零件會燙傷手指（符號：）。請在關閉電源後半小時再處理這些零件。

緊急

- 如果裝置產生煙霧、異味或噪音，請立即關閉電源，拔除電源線，並聯絡維修中心。

製造地址

310052 中國浙江省杭州市濱江區西興街區丹風路
399 號 2 號樓 B 單元 313 室
杭州微影軟件有限公司

合規性注意事項：熱像系列產品可能在不同國家或地區受到出口管制，包括但不限於美國、歐盟、英國和/或瓦森納協議的其他成員國。如果您打算在不同國家之間轉讓、出口、再出口熱像系列產品，請洽詢您的專業法律或合規性專家或地方政府機關，以瞭解任何必要的出口許可要求。



HIKMICRO

See the World in a New Way