

iDS-TCS800-C

Traffic Incident Detection Camera



- 8 MP (1/1.2" CMOS), 3840 × 2160 @ 25 fps
- Color: 0.001 Lux@(F1.4, AGC ON)
- H.265, H.264, MJPEG
- Built-in supplement light
- Traffic flow detection
- Incident detection
- Built-in micro SD/TF card slot, up to 128 GB

▪ Specification

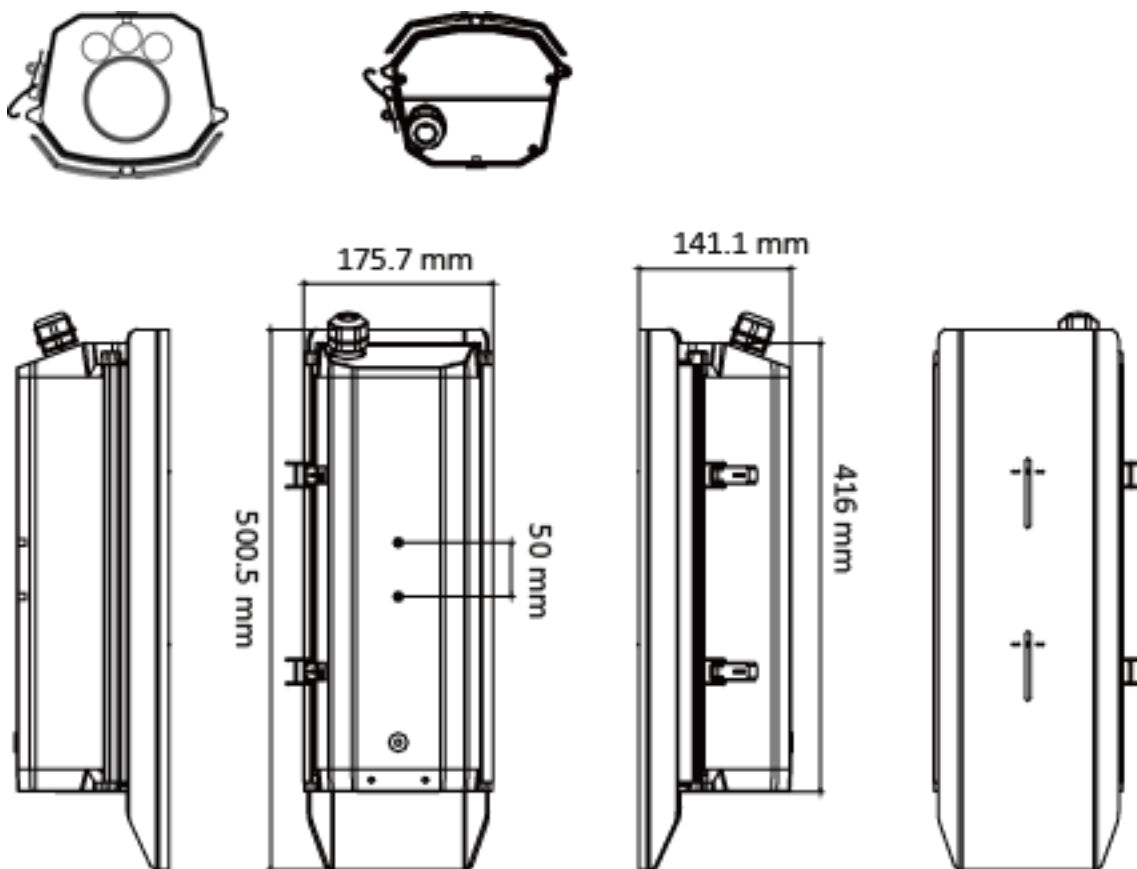
Camera	
Max. Resolution	3840 × 2160
Min. Illumination	Color: 0.001 Lux@(F1.4, AGC ON)
Shutter Time	50 to 20000 us
Lens	
Focal Length & FOV	1550 (default): CS-Mount, Horizontal: 42.7° to 13.7°, Vertical: 23.4° to 7.6°, Diagonal: 49.7 to 15.8° 5721: CS-Mount, Horizontal: 106.5° to 33.1°, Vertical: 60.2° to 18.7°, Diagonal: 121.4° to 37.8°
Video	
Main Stream	50 Hz: 25 fps (3840 × 2160, 1920 × 1080, 1280 × 720) 60 Hz: 30 fps (3840 × 2160, 1920 × 1080, 1280 × 720)
Sub Stream	1920 × 1080, 704 × 576
Video Compression	H.264 and H.265 encoding Main stream: H.265/H.264/MJPEG Sub-stream: H.265/H.264/MJPEG
Video Bit Rate	32 Kbps to 16 Mbps
H.264 Type	Baseline profile/Main profile/High profile
H.265 Type	Baseline profile/Main profile/High profile
Network	
Protocols	TCP/IP, HTTP, DNS, RTP, RTSP
Security	User name and password authentication, HTTPS Digital certificate
Web Browser	IE7+
Image	
Image Settings	Saturation, brightness, contrast, sharpness, AGC, and white balance are adjustable by client software or web browser.
Day/Night Switch	Auto/Scheduled/Triggered by alarm in
Image Enhancement	3D DNR
Interface	
Ethernet Interface	1 RJ45 10 M/100 M/1000 M self-adaptive Ethernet interface; 1 1000 M fiber interface
On-board Storage	Built-in microSD/TF card slot, up to 128 GB
Alarm	1 output interface
RS-485	1 RS-485 interface (half duplex, HIKVISION)
Event	
Basic Event	HDD Error, network disconnected, IP address conflicted, vehicle detector exception, traffic light detector exception
Road Traffic and Vehicle Detection	
Coverage	2 to 3 lanes

Smart Function	Vehicle type, lane flow, lane speed, space headway, time headway, lane time occupancy rate, lane space occupancy rate, queuing length, and traffic status Driving on the lane line, lane change, wrong-way driving, stopped vehicle, emergency lane occupation, roadblock, construction, fallen object, pedestrians, congestion, fire/smoke in tunnel detection
General	
Power	24 VDC \pm 20%, PoE (802.3at, class 4), 24 W MAX
Dimension	175.7 \times 141.1 \times 500.5 mm (6.9" \times 5.6" \times 19.7")
Weight	Approx. 6.5 \pm 0.5 kg (14.3 \pm 1.1 lb.)
Operating Condition	Temperature: -30 $^{\circ}$ C to 70 $^{\circ}$ C (-22 $^{\circ}$ F to 158 $^{\circ}$ F) Humidity: 95% or less (non-condensing)
General Function	Heartbeat, password protection, NTP time adjustment
Approval	
Protection	IP66




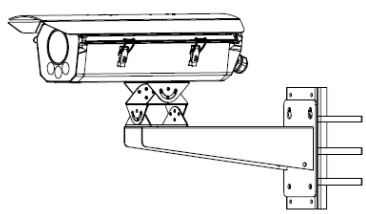
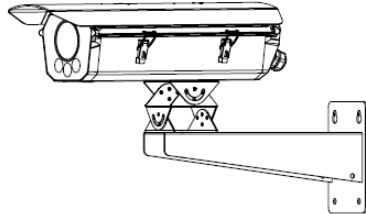
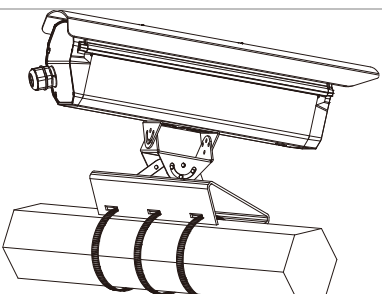
▪ **Available Model**

iDS-TCS800-C/1550/H1

▪ **Dimension**



Accessory

DS-1275ZJ-HWB/600mm DS-1130-HWB/110-300 Vertical Pole Mount	DS-1701ZJ/HWB Wall Mount	DS-1278ZJ-HWB Horizontal Pole Mount
		
		

Headquarters

No.555 Qianmo Road, Binjiang District,
 Hangzhou 310051, China
 T +86-571-8807-5998
 www.hikvision.com



Follow us on social media to get the latest product and solution information.

