

1 Appearance

- ① Screen ② Microphone ③ Network Interface ④ Alarm Input Terminal
- ⑤ TF Card Slot ⑥ Debugging Port ⑦ Loudspeaker
- ⑧ Power Supply Terminal

Note:
 • The appearance of the device varies according to different models. Refers to the actual device for detailed information.
 • The debugging port is used for debugging only.

2 Terminal and Wiring

AIN1 to AIN8 : Alarm Input pins. GND : Grounding Interface
 You should connect alarm input device to the indoor station by connecting any terminals of AIN1 to AIN8 and GND.

Note:The power supply must conform to LPS. The recommended adaptor models and manufacturers are shown as below. Use the attached adaptor, and do not change the adaptor randomly.

Model	Current	Manufacturer	Standard
ADS-26FG-12 12024EPG	2A	SHENZHEN HONOR ELECTRONIC CO., LTD	CEE
ADS-26FG-12 12024EPCU/EPC	2A	SHENZHEN HONOR ELECTRONIC CO., LTD	NEMA
ADS-26FG-12 12024EPB	2A	SHENZHEN HONOR ELECTRONIC CO., LTD	BS
M5A-C200DC12 0-24P-BR	2A	Moso Power Supply Technology Co., Ltd.	NBR
M5A-C200DC12 0-24P-AU	2A	Moso Power Supply Technology Co., Ltd.	AS
ADS-26FG-12 12024EPI-01	2A	SHENZHEN HONOR ELECTRONIC CO., LTD	IS

3 Installation

★ Installation Accessory Description

The wall mounting plate and gang box are required to install the indoor station onto the wall.
 There are 2 size of the gang boxes adapted to the device.
 Size 1: 75 mm (width) × 75 mm (length) × 50 mm (depth).
 Size 2: 55 mm (width) × 101 mm (length) × 38.5 mm (depth).
 The dimension of mounting plate is 97 mm (width) × 104 mm (length) × 3 mm (depth).

- Before You Start**
- Make sure the device in the package is in good condition and all the assembly parts are included.
 - The power supply the indoor station supports is 12 VDC. Or the standard PoE is supported. Please make sure your power supply matches your indoor station.
 - Make sure all related equipments are power-off during the installation.
 - Check the product specification for the installation environment.

★ Wall Mounting with Gang Box (Type I)

1. Cave a hole in the wall.
- Note:** The suggested dimension of the installation hole should be larger than the gang box.
2. Insert a gang box (Type I) to the hole chiseled on the wall.
3. Fix the wall mounting plate to the gang box with 2 screws.
- Note:** If you install the device with a gang box (75 mm(width) × 75 mm(length) × 46 mm(depth), the left and right holes will be applied.
4. Hook the indoor station to the wall mounting plate tightly by inserting the plate hooks into the slots on the rear panel of the indoor station, during which the lock catch will be locked automatically.

★ Wall Mounting with Gang Box (Type II)

1. Cave a hole in the wall.
- Note:** The suggested dimension of the installation hole should be larger than the gang box.
2. Insert a gang box (Type II) to the hole chiseled on the wall.
- Note:** If you use the gang box (55 mm(width) × 101 mm(length) × 48.5 mm(depth), you can install the gang box Vertical or Horizontal.
3. Fix the wall mounting plate to the gang box with 2 screws.
- Notes:**
 - If you install the device with the gang box horizontal, the left and right holes will be applied.
 - If you install the device with the gang box vertical, the upper and lower holes will be applied.
4. Hook the indoor station to the wall mounting plate tightly by inserting the plate hooks into the slots on the rear panel of the indoor station, during which the lock catch will be locked automatically.

4 Getting Started

1 Activate Indoor Station

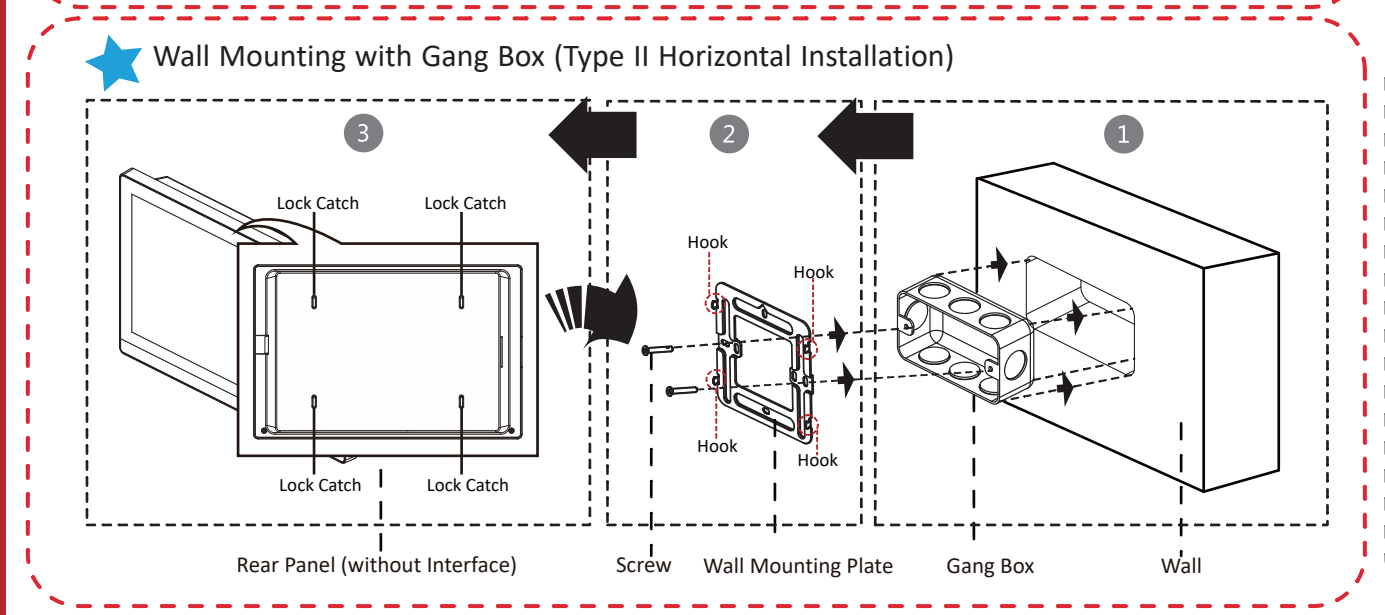
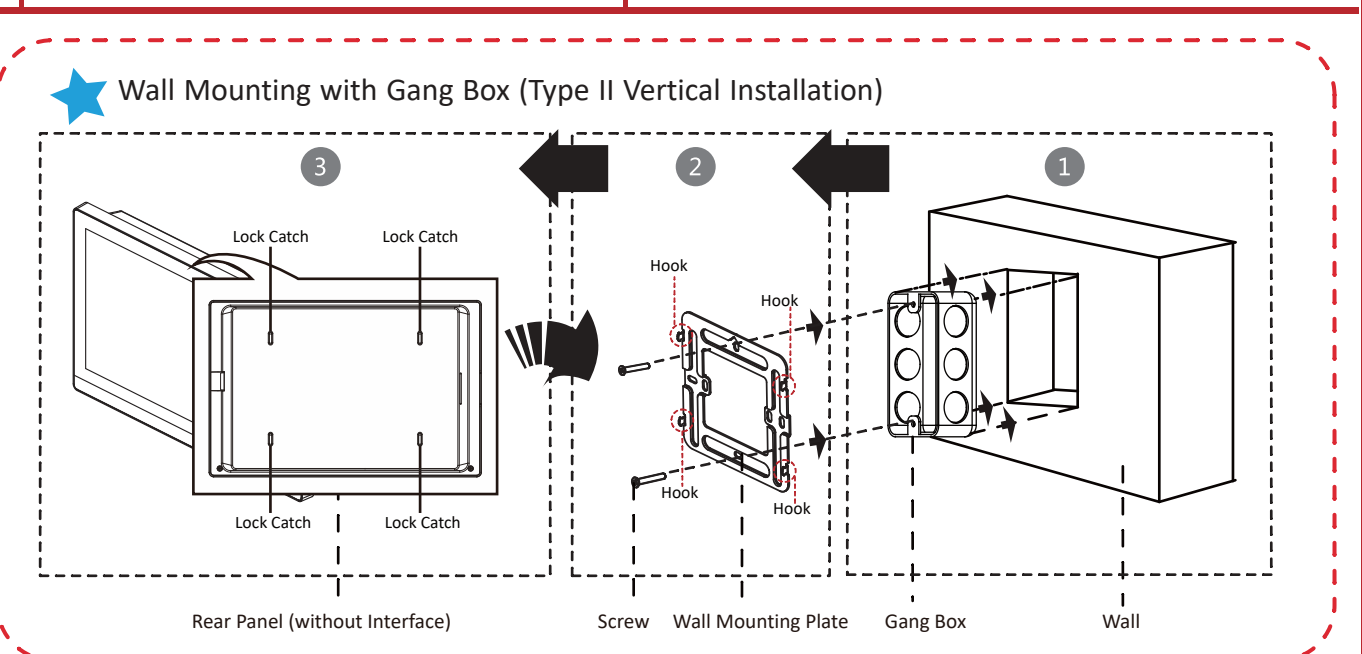
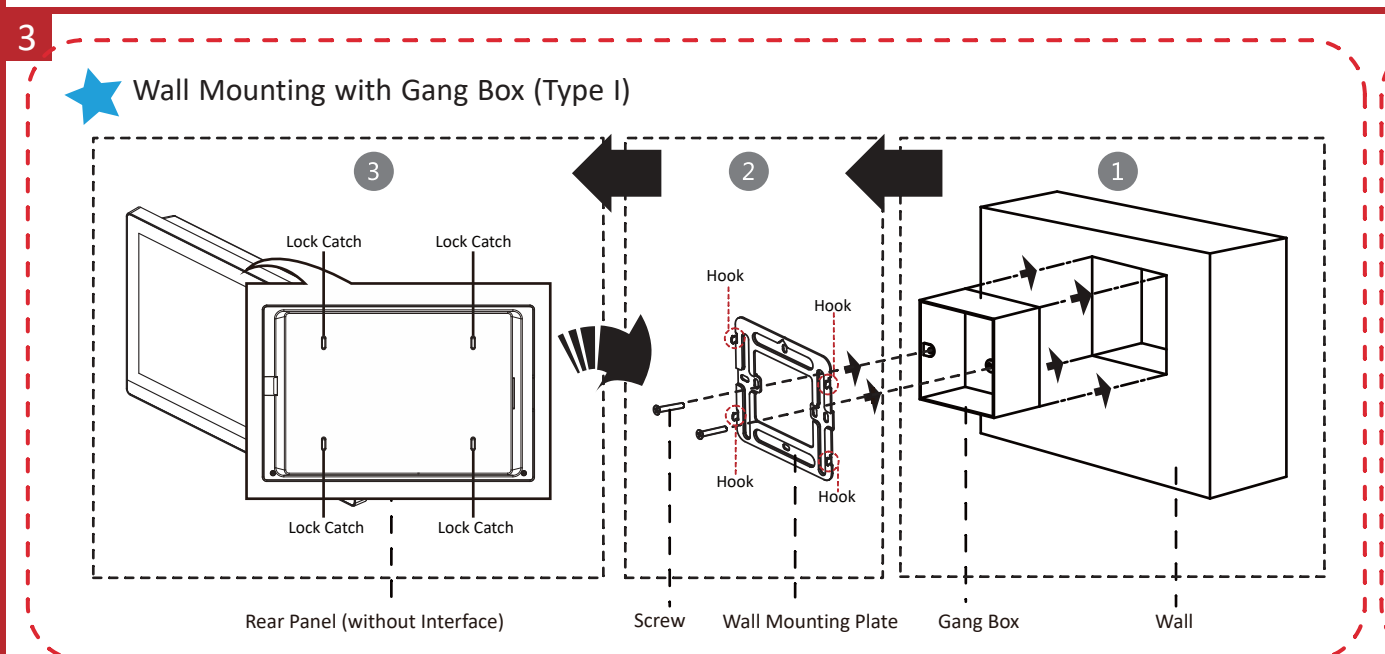
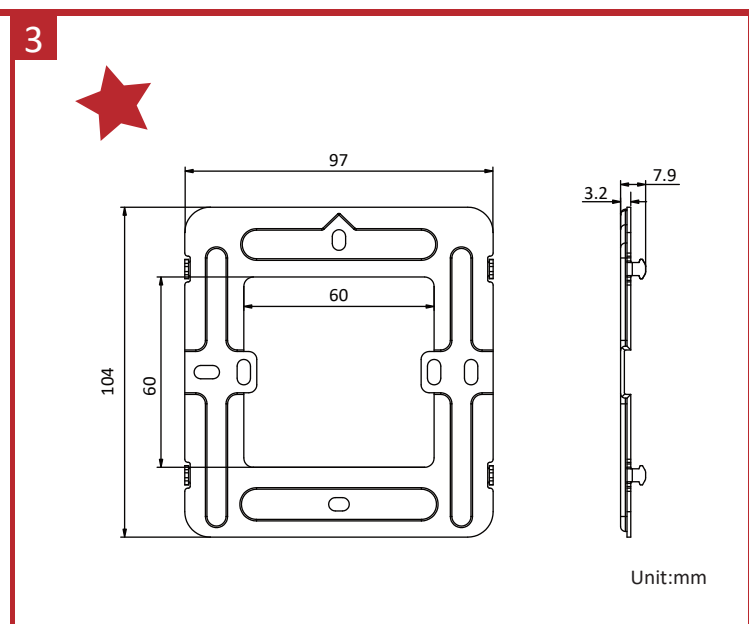
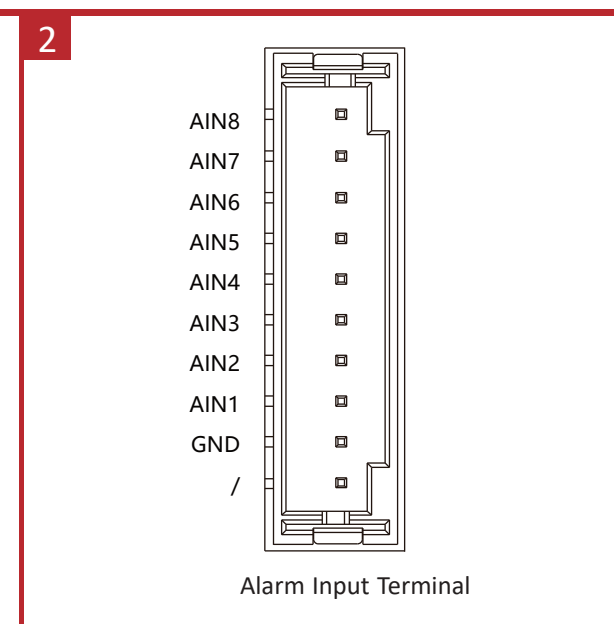
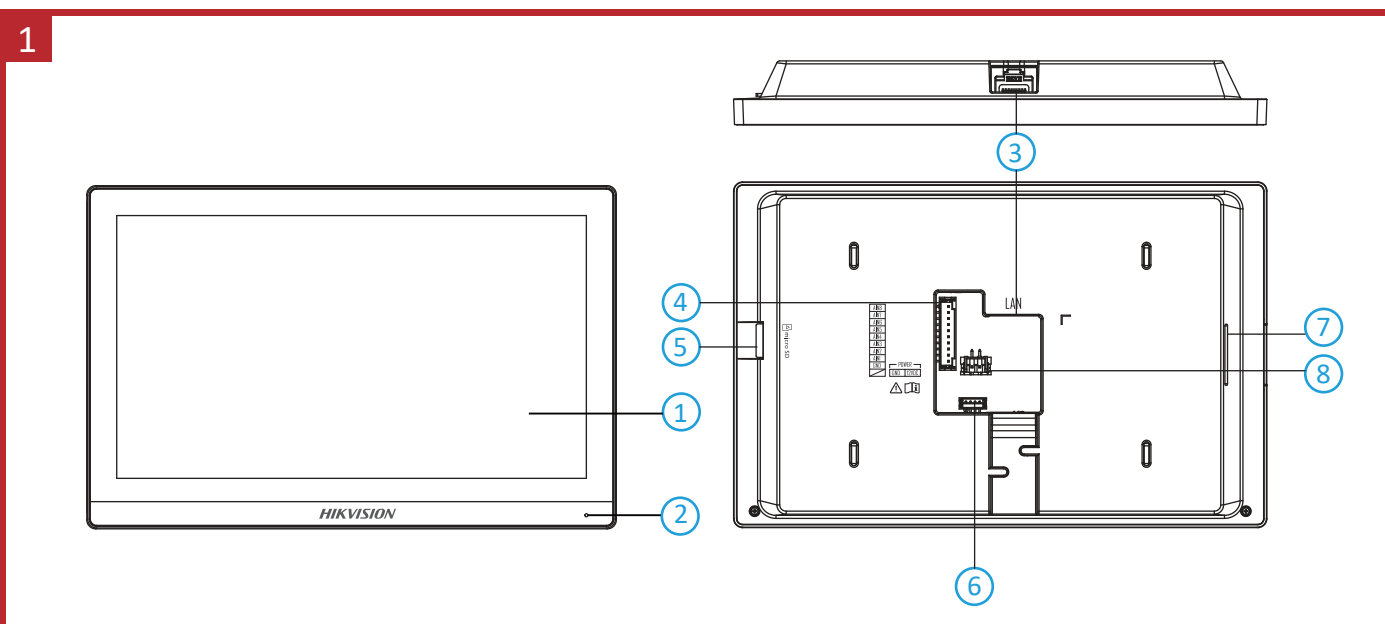
- You are required to activate the device first by setting a strong password before you can use the device.
1. Power on the device. It will enter the activation page automatically.
 2. Create a password and confirm it.
 3. Tap OK to activate the indoor station.

2 Quick Configuration

- After Activation, you can follow the wizard to complete quick configuration, including language settings, password reset method settings, network settings, indoor station settings, time settings, linked devices settings, etc.
- If you want to enter the wizard page, you can tap Settings → → Configuration, and enter the admin (activation) password. Tap to enter the system maintenance page.

Scan the QR code to get the Configuration Guide for detailed information.

Scan the QR code to get the Operation Guide for detailed information.



- Warning**
- In the use of the product, you must be in strict compliance with the electrical safety regulations of the nation and region.
 - **CAUTION:** To reduce the risk of fire, replace only with the same type and rating of fuse.
 - To prevent possible hearing damage, do not listen at high volume levels for long periods.
 - Please use the power adapter, which is provided by normal company. The power consumption cannot be less than the required value.
 - Do not connect several devices to one power adapter as adapter overload may cause over-heat or fire hazard.
 - Please make sure that the power has been disconnected before you wire, install or dismantle the device.
 - When the product is installed on wall or ceiling, the device shall be firmly fixed.
 - If smoke, odors or noise rise from the device, turn off the power at once and unplug the power cable, and then please contact the service center.
 - If the product does not work properly, please contact your dealer or the nearest service center. Never attempt to disassemble the device yourself. (We shall not assume any responsibility for problems caused by unauthorized repair or maintenance.)
- Caution**
- + identifies the positive terminal(s) of equipment which is used with, or generates direct current. - identifies the negative terminal(s) of equipment which is used with, or generates direct current.
 - No naked flame sources, such as lighted candles, should be placed on the equipment.
 - The USB port of the equipment is used for connecting to a USB flash drive only.
 - The serial port of the equipment is used for debugging only.
 - Burned fingers when handling the fingerprint sensor metal. Wait one-half hour after switching off before handling the parts.
 - Install the equipment according to the instructions in this manual.
- To prevent injury, this equipment must be securely attached to the floor/wall in accordance with the installation instructions.
 - Do not drop the device or subject it to physical shock, and do not expose it to high electromagnetic radiation. Avoid the equipment installation on vibrations surface or places subject to shock (ignorance can cause equipment damage).
 - Do not place the device in extremely hot (refer to the specification of the device for the detailed operating temperature), cold, dusty or damp locations, and do not expose it to high electromagnetic radiation.
 - The device cover for indoor use shall be kept from rain and moisture.
 - Exposing the equipment to direct sun light, low ventilation or heat source such as heater or radiator is forbidden (ignorance can cause fire danger).
 - Do not aim the device at the sun or extra bright places. A blooming or smear may occur otherwise (which is not a malfunction however), and affecting the endurance of sensor at the same time.
 - Please use the provided glove when open up the device cover, avoid direct contact with the device cover, because the acidic sweat of the fingers may erode the surface coating of the device cover.
 - Please use a soft and dry cloth when clean inside and outside surfaces of the device cover, do not use alkaline detergents.
 - Please keep all wrappers after unpack them for future use. In case of any failure occurred, you need to return the device to the factory with the original wrapper.
 - Transportation without the original wrapper may result in damage on the device and lead to additional costs.
 - Improper use or replacement of the battery may result in hazard of explosion. Replace with the same or equivalent type only. Dispose of used batteries according to the instructions provided by the battery manufacturer.
 - Biometric recognition products are not 100% applicable to anti-spoofing environments. If you require a higher security level, use multiple authentication modes.
 - Please make sure that the biometric recognition accuracy will be affected by the collected pictures' quality and the light in the environment, which cannot be 100% correct.