

## DS-KIS607-S IP Video Intercom Kit



- Convenient Hik-Connect APP Mobile Control
- One call button for easier calls
- Standard PoE power supply
- Stores messages and captured pictures in the TF card
- Including: Door station x1, Indoor station x1, PoE Switch x1, 32GB TF card x1

## ▪ Specification

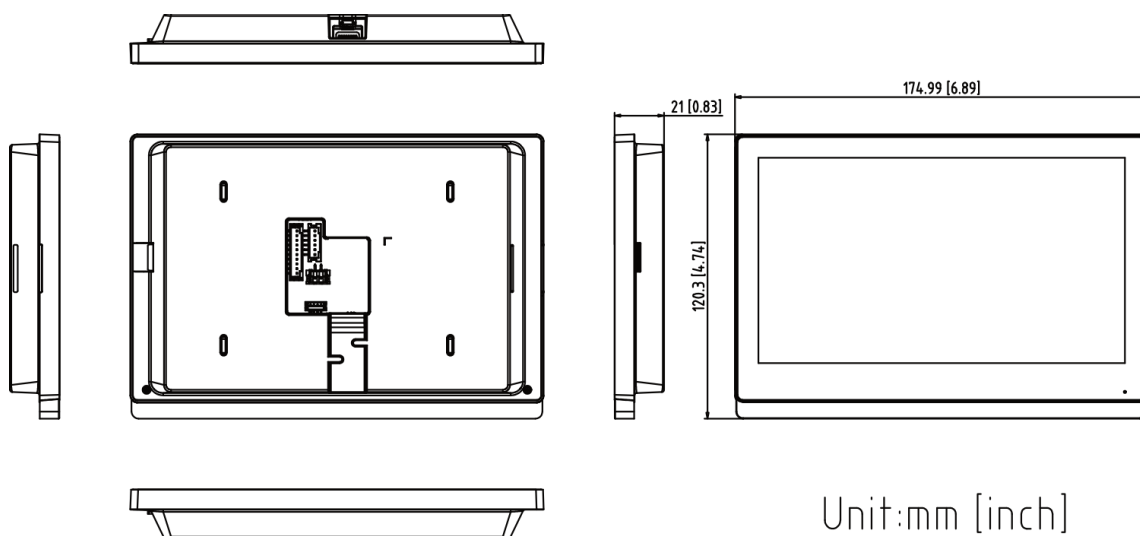
Door station	
Operation system	Embedded Linux operation system
Flash	32 MB
RAM	256MB
Door station	
Supplement light	IR light, up to 3 m
Resolution	Main stream: 1920 × 1080p, 720p Sub stream: 640 × 480p
Lens	2MP HD camera
Wide dynamic range (WDR)	Support 120 dB
FOV	Horizontal: 131° Vertical: 78°
Video Compression Standard	H.264
Motion detection	Support
Door station	
Audio input	1 built-in omnidirectional microphone
Audio output	1 Built-in loudspeaker
Audio quality	Noise suppression and echo cancellation
Volume adjustment	Adjustable
Audio compression standard	G.711 U
Audio compression Rate	64 Kbps
Door station	
Network protocol	TCP/IP, RSTP
Door station	
Network interface	1 RJ-45, 10/100 Mbps self-adaptive
RS-485	1
Alarm input	4
Lock control	1 relay, Max. 30 VDC 2 A
TAMPER switch	1
Exit button	1
Door contact input	1
Door station	
Power consumption	< 10 W
Button	1 physical button(s)
Working temperature	-40 °C to 55 °C(-40 °F to 131 °F)
Working humidity	10% to 95% (no-condensing)
Dimension	138 mm × 65 mm × 27 mm (5.4" × 2.6" × 1.1")
Installation	Surface mounting
Protection level	IP65
Indicator	2
Application environment	Outdoor
Power supply	IEEE802.3af, standard PoE 12 VDC
Weight	Net weight: 0.190 kg Gross weight: 0.414 kg

Indoor station	
Operation system	Embedded Linux operation system
Memory	128 MB
Flash	32 MB
Indoor station	
Display screen	7-inch colorful TFT screen
Display resolution	1024 × 600
Operation method	Capacitive touch screen
Indoor station	
Audio input	1 built-in omnidirectional microphone
Audio output	1 built-in loudspeaker
Audio quality	Noise suppression and echo cancellation
Audio compression standard	G.711 U, G.711 A
Volume adjustment	Adjustable
Audio compression Rate	64 Kbps
Indoor station	
Notice capacity	200
Linked indoor extensions capacity	16
Indoor station	
Protocol	TCP/IP, SIP, RTSP
Wi-Fi	2.4 GHz, IEEE802.11b, IEEE802.11g, IEEE802.11n
Indoor station	
Network interface	1 RJ-45 10/100 Mbps self-adaptive
RS-485	1
Alarm input	8-ch alarm inputs
Alarm output	2
TF card	Max to 128 G
Indoor station	
Power consumption	≤ 5 W
Power supply	12 VDC, IEEE802.3af, Standard PoE
Working temperature	-10 °C to 50 °C (14 °F to 122 °F)
Working humidity	10% to 90%
Dimension (L x W x H)	175 mm × 113.5 mm × 21 mm (6.9" × 4.5" × 0.83")
Installation	Wall mounting, table mounting
Application environment	Indoor
Weight	Net weight: 355 g (0.8 lb) Gross weight: 683 g (1.5 lb)

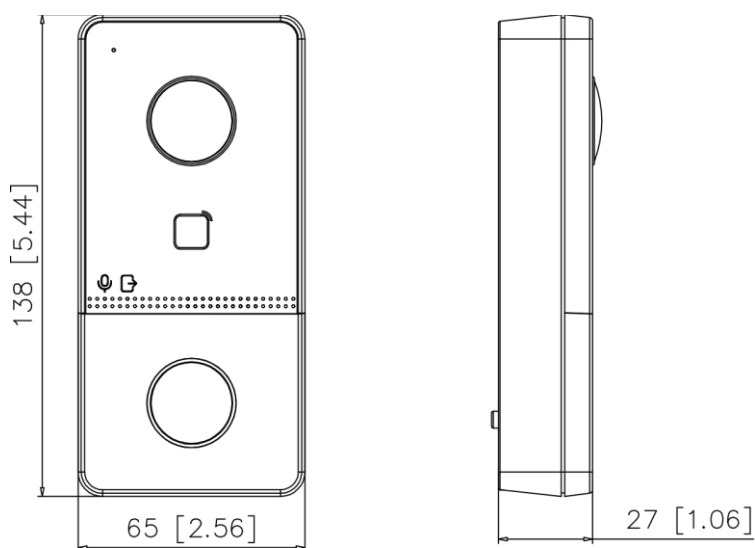
## ▪ Available Model

DS-KIS607-S

▪ Dimension



Unit:mm [inch]



Unit:mm [inch]

- Accessory
- Optional

<b>DS-KABV6113-RS</b> <b>Villa Door Station</b> <b>Rain Shield</b>	<b>DS-KABH6350-T</b> <b>Table bracket</b>
	

**Headquarters**

No.555 Qianmo Road, Binjiang District,  
Hangzhou 310051, China  
T +86-571-8807-5998  
www.hikvision.com



Follow us on social media to get the latest product and solution information.

