

## DS-2DE2C200MWG-4G 2 MP Smart Hybrid Light Mini PT Network Camera



Hikvision DS-2DE2C200MWG-4G 2 MP PT Network Camera is ideal for indoor HD monitoring in small businesses and offices and for close range monitoring in warehouses, lobbies, server rooms, garages, etc.

- Support 4G LTE data transmission
- High quality imaging with 2 MP resolution
- Support Human and Vehicle Detection
- Built-in microphone and speaker, support two-way audio
- Smart Hybrid Light: advanced technology up to 30 meters
- Support on-board storage up to 512 GB (SD card slot)
- Water and dust resistant (IP66)

## ▪ Specification

Camera	
Image Sensor	1/3" Progressive Scan CMOS
Max. Resolution	1920 × 1080
Shutter Time	1/3 s to 1/100,000 s
Min. Illumination	Color: 0.04 Lux @ (F2.0, AGC ON), B/W: 0 Lux with IR
Day & Night	IR cut filter
Lens	
Lens Type	Fixed focal lens, 2.8 and 4 mm optional
Focal Length & FOV	2.8 mm, horizontal FOV 101°, vertical FOV 56°, diagonal FOV 118° 4 mm, horizontal FOV 78°, vertical FOV 42°, diagonal FOV 92°
Lens Mount	M12
Iris Type	Fixed
Aperture	F2.0
PTZ	
Movement Range (Pan)	0° to 345°
Movement Range (Tilt)	0° to 80°
Pan Speed	Up to 25°/s
Tilt Speed	Up to 20°/s
DORI	
DORI	2.8 mm, D: 45 m, O: 18 m, R: 9 m, I: 4 m 4 mm, D: 56 m, O: 22 m, R: 11 m, I: 5 m
Illuminator	
Supplement Light Type	IR, White Light
Supplement Light Range	Up to 30 m
Smart Supplement Light	Yes
IR Wavelength	850 nm
Network	
API	ONVIF (Profile S, Profile G, Profile T), ISAPI, SDK
Video	
Main Stream	50 Hz: 25 fps (1920 × 1080, 1280 × 720) 60 Hz: 30 fps (1920 × 1080, 1280 × 720)
Sub-Stream	50 Hz: 25 fps (768 × 432) 60 Hz: 30 fps (768 × 432)
Video Compression	Main stream: H.265/H.264, Sub-stream: H.265/H.264/MJPEG
Video Bit Rate	32 Kbps to 8 Mbps
H.264 Type	Baseline Profile, Main Profile, High Profile
H.265 Type	Main Profile
Bit Rate Control	CBR, VBR
Region of Interest (ROI)	1 fixed region for main stream
Audio	
Audio Type	Mono sound
Audio Sampling Rate	8 kHz/16 kHz
Environment Noise Filtering	Yes

Audio Compression	G.711/AAC-LC
Audio Bit Rate	64 Kbps (G.711ulaw)/16 to 64 Kbps (AAC-LC)
<b>Network</b>	
Security	Password protection, complicated password, HTTPS encryption, watermark, basic and digest authentication for HTTP/HTTPS, WSSE and digest authentication for Open Network Video Interface, RTP/RTSP over HTTPS, security audit log, TLS 1.2, TLS 1.3, host authentication (MAC address)
Simultaneous Live View	Up to 6 channels
Protocols	TCP/IP, ICMP, DHCP, DNS, DDNS, HTTP, RTP, RTCP, RTSP, NTP, IGMP, IPv4, IPv6, UDP, QoS, SMTP, SNMP
User/Host	Up to 32 users 3 user levels: administrator, operator, and user
Client	iVMS-4200, Hik-Connect
Web Browser	Local service: IE11, Chrome 57.0+, Firefox 52.0+, Edge 89+
<b>Mobile Communication</b>	
Standard	LTE-TDD, LTE-FDD
Frequency	EU: LTE-FDD: B1/3/5/7/8/20/28 IN: LTE-FDD: B1/3/5/8 LTE-TDD: B34/38/39/40/41 LA: LTE-FDD: B2/3/4/5/7/8/28/66 NA: LTE-FDD: B2/4/5/12/13/17/66/71
Uplink and Downlink Data Rate	EU: uplink: 5.1 Mbps, downlink: 10.3 Mbps IN: uplink: 5.1 Mbps, downlink: 10.3 Mbps LA: uplink: 5.1 Mbps, downlink: 10.3 Mbps NA: uplink: 50 Mbps, downlink: 150 Mbps
SIM Card Type	Nano SIM
<b>Image</b>	
Wide Dynamic Range (WDR)	Digital WDR
SNR	≥ 52 dB
Privacy Mask	4 programmable polygon privacy masks
Day/Night Switch	Day, Night, Auto, Schedule
Image Enhancement	BLC, HLC, 3D DNR
Image Settings	Saturation, brightness, contrast, sharpness, gain, white balance, adjustable by client software or web browser
<b>Interface</b>	
Ethernet Interface	1 RJ45 10 M/100 M self-adaptive Ethernet port
On-Board Storage	Built-in memory card slot, support microSD/microSDHC/microSDXC card, up to 512 GB
Built-in Microphone	1 built-in microphone
Built-in Speaker	Max. power consumption: 1.5 W, max. sound pressure level: 10 cm: 95 dB.
Reset Key	Yes

Event	
Basic Event	Motion detection (support alarm triggering by specified target types (human and vehicle)), video tampering alarm, exception
Linkage	Upload to FTP/memory card, notify surveillance center, send email, trigger recording, trigger capture, audible warning, flashing light, auto-tracking lite
General	
Dimension	131.9 mm × 164 mm × 312.6 mm (5.19" × 6.46" × 12.31") 131.9 mm × 164 mm × 332.6 mm (5.19" × 6.46" × 13.10")
General	
Power	12 VDC ± 25%, 0.75 A, max. 9 W, Ø5.5 mm coaxial power plug, reverse polarity protection, *A switching adapter is included in the package.
Material	Plastic
Package Dimension	224 mm × 178 mm × 230 mm (8.82" × 7.01" × 9.06")
Weight	Approx. 600 g (1.32 lb.)
With Package Weight	Approx. 900 g (1.98 lb.)
Storage Conditions	-30 °C to 40 °C (-22 °F to 104 °F). Humidity 95% or less (non-condensing)
Startup and Operating Conditions	-30 °C to 40 °C (-22 °F to 104 °F). Humidity 95% or less (non-condensing)
Language	English, Ukrainian
General Function	Heartbeat, anti-banding, mirror, password protection, password reset via email
Approval	
EMC	CE-EMC: EN 55032:2015+A1:2020, EN 50130-4:2011+A1:2014, EN IEC 61000-3-2:2019+A1:2021, EN 61000-3-3:2013+A1:2019+A2:2021, IC: ICES-003: Issue 7, KC: KN32: 2015, KN35: 2015
Safety	CB: IEC 62368-1: 2014+A11, CE-LVD: EN 62368-1: 2014/A11: 2017, BIS: IS 13252 (Part 1): 2010/IEC 60950-1: 2005
Environment	CE-RoHS: 2011/65/EU, WEEE: 2012/19/EU, Reach: Regulation (EC) No 1907/2006
Protection	IP66: IEC 60529-2013

## ▪ Typical Application

Hikvision products are classified into three levels according to their anti-corrosion performance. Refer to the following description to choose for your using environment.

This model has NO SPECIFIC PROTECTION.

Level	Description
Top-level protection	Hikvision products at this level are equipped for use in areas where professional anti-corrosion protection is a must. Typical application scenarios include coastlines, docks, chemical plants, and more.
Moderate protection	Hikvision products at this level are equipped for use in areas with moderate anti-corrosion demands. Typical application scenarios include coastal areas about 2 kilometers (1.24 miles) away from coastlines, as well as areas affected by acid rain.

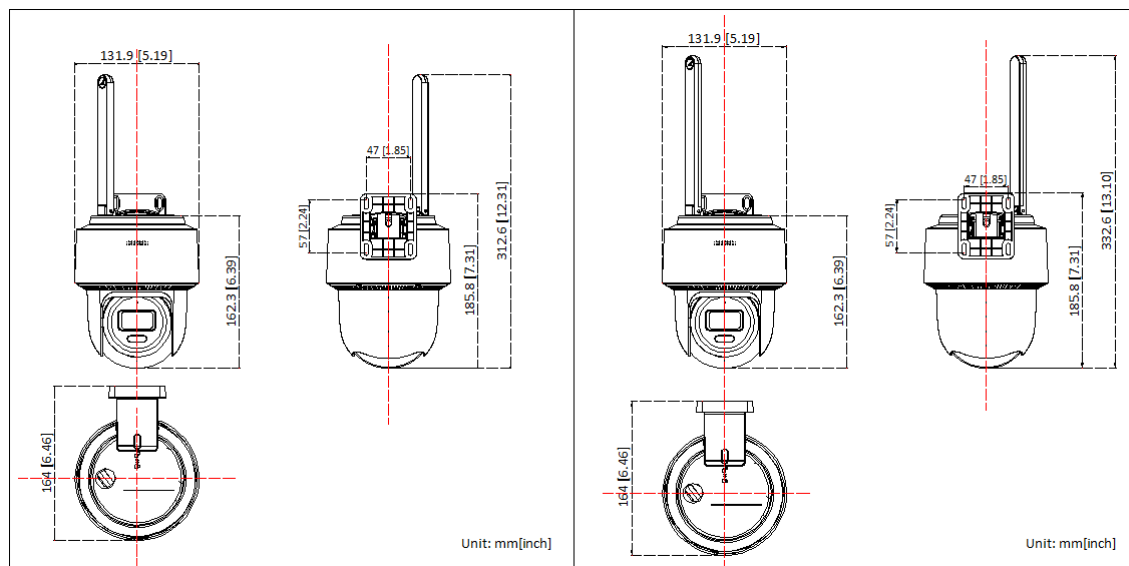


No specific protection	Hikvision products at this level are equipped for use in areas where no specific anti-corrosion protection is needed.
------------------------	---

▪ **Available Model**

- DS-2DE2C200MWG-4G(2.8mm)
- DS-2DE2C200MWG-4G(4mm)
- DS-2DE2C200MWG-4G(2.8mm)/LA
- DS-2DE2C200MWG-4G(4mm)/LA
- DS-2DE2C200MWG-4G(2.8mm)/IN
- DS-2DE2C200MWG-4G(4mm)/IN
- DS-2DE2C200MWG-4G(2.8mm)/US
- DS-2DE2C200MWG-4G(4mm)/US

▪ **Dimension**



**Headquarters**

No.555 Qianmo Road, Binjiang District,  
Hangzhou 310051, China  
T +86-571-8807-5998  
www.hikvision.com



Follow us on social media to get the latest product and solution information.

