

DS-2SF8C432MXG-WD/14(F1) 8-inch 4 MP 32 × TandemVu PTZ Camera



- Built-in gauge reading algorithm to automatically get the readings of standard water level gauges
- Detects water level range from 0 to 40 m, within 80 m distance, with minimum scale of 1 cm and detection accuracy of ± 2 cm
- Performance mode, power saving mode, and sleep mode are available, the minimum power consumption is within 5 W
- With high accuracy PT system, the moving hysteresis error is less than 0.08°
- The platform can wake up the device via remote command in sleep mode
- High quality imaging with max. resolution of 2560×1440 @30 fps

▪ Specification

Camera	
Image Sensor	[Bullet channel] 1/1.8" Progressive Scan CMOS, [PTZ channel] 1/1.8" Progressive Scan CMOS
Min. Illumination	[Bullet channel] Color: 0.0005 Lux @ (F1.0, AGC ON), B/W: 0.0001 Lux @ (F1.0, AGC ON), 0 Lux with IR, [PTZ channel] Color: 0.0005 Lux @ (F1.5, AGC ON), B/W: 0.0001 Lux @ (F1.5, AGC ON), 0 lux with IR
Shutter Speed	1/1~1/30000 s
Slow Shutter	yes
Day & Night	[Bullet channel] 24/7 color imaging, [PTZ channel] IR cut filter
HLC	yes
3D DNR	yes
White Balance	auto,ATW,sodium lamp,fluorescent lamp,indoor,outdoor,MWB,Locked WB
Zoom	[PTZ channel] 32 × optical, 16 × digital
Gain Control	auto>manual
Optical Defog	yes
Max. Resolution	2560 × 1440
Lens	
Focus	semi-auto>manual,auto
Focal Length	[Bullet channel] 4 mm, [PTZ channel] 7.1 to 227.2 mm
Zoom Speed	[Bullet channel] No, [PTZ channel] approx. 5.6 s
FOV	[Bullet channel]: 90°, [PTZ channel]: approx. 60.2° to 2.3° (wide-tele)
Aperture	[Bullet channel] F1.0, [PTZ channel] F1.5
Illuminator	
Supplement Light Range	[Bullet channel] white light: up to 30 m, [PTZ channel] IR: up to 200 m
Smart Supplement Light	yes
PTZ	
Movement Range (Pan)	[PTZ channel] 0° to 360°
Movement Range (Tilt)	[PTZ channel] -20° to 90°
Pan Speed	[PTZ channel] pan speed: configurable from 0.1° to 160°/s, preset speed: 240°/s
Tilt Speed	[PTZ channel] tilt speed: configurable from 0.1° to 120°/s, preset speed 200°/s
Proportional Pan	[Bullet channel] No, [PTZ channel] Yes
Presets	300
Patrol Scan	8 patrols
Pattern Scan	4 pattern scans
Power-off Memory	yes
Park Action	preset,pattern scan,patrol scan,auto scan,tilt scan,random scan,frame scan,panorama scan
3D Positioning	yes
PTZ Status Display	yes
Preset Freezing	yes
Scheduled Task	preset,pattern scan,patrol scan,auto scan,tilt scan,random scan,frame scan,panorama scan,dome reboot,dome adjust,aux output
Exception Detection	IP address conflict, HDD full, illegal login, HDD error, network disconnected, Abnormal Reboot

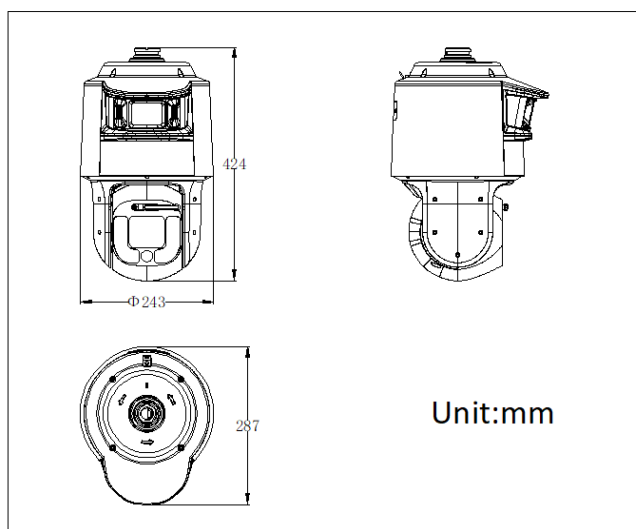
Video	
Stream Type	main stream, sub-stream, third stream
Main Stream	50 Hz: 25 fps (2560 × 1440, 1920 × 1080, 1280 × 960, 1280 × 720) 60 Hz: 30 fps (2560 × 1440, 1920 × 1080, 1280 × 960, 1280 × 720)
Sub-Stream	50 Hz: 25 fps (704 × 576, 640 × 480, 352 × 288) 60 Hz: 30 fps (704 × 480, 640 × 480, 352 × 240)
Third Stream	50 Hz: 25 fps (1920 × 1080, 1280 × 960, 1280 × 720, 704 × 576, 640 × 480, 352 × 288) 60 Hz: 30 fps (1920 × 1080, 1280 × 960, 1280 × 720, 704 × 480, 640 × 480, 352 × 240)
Video Compression	H.265,H.264,MJPEG
Video Bit Rate	32 to 16384 Kbps
H.264 Type	Baseline Profile, Main Profile, High Profile
H.265 Type	Main Profile
Scalable Video Coding (SVC)	yes
Region of Interest (ROI)	fixed region
Audio	
Audio Compression	G.711alaw, G.711ulaw, G.722.1, G.726, MP2L2, AAC-LC, PCM
Audio Bit Rate	MP2L2: 32 kbps, 40 kbps, 48 kbps, 56 kbps, 64 kbps, 80 kbps, 96 kbps, 112 kbps, 128 kbps, 144 kbps, 160 kbps, 192 kbps, AAC-LC: 16 kbps, 32 kbps, 64 kbps
Audio Sampling Rate	MP2L2: 16 kHz, 32 kHz, 48 kHz, AAC-LC: 16 kHz, 32 kHz, 48 kHz, PCM: 8 kHz, 16 kHz, 32 kHz, 48 kHz
Environment Noise Filtering	yes
Smart Features	
Warning and Alert	white light and audible warning
Network	
Network Storage	ANR, NAS (NFS, SMB/CIFS)
Protocols	IPv4/IPv6, HTTP, HTTPS, 802.1x, Qos, FTP, SMTP, UPnP, SNMP, DNS, DDNS, NTP, RTSP, RTCP, RTP, TCP/IP, UDP, IGMP, ICMP, DHCP, PPPoE, Bonjour, websocket, websockets
API	ISUP, Open-ended API, ISAPI, Hikvision SDK, Ehome, Open Network Video Interface
Simultaneous Live View	20
User/Host	32
Security	Authenticated username and password, MAC address binding, HTTPS encryption, 802.1X authenticated access, IP address filter
Client	iVMS-4200
Web Browser	IE 10+, Chrome 57+, Firefox 52+, Safari 12+
Image	
Day/Night Switch	day, night, auto, scheduled-switch
Image Enhancement	yes
Wide Dynamic Range (WDR)	120 dB WDR
Defog	yes
Image Stabilization	yes
Regional Exposure	yes
Regional Focus	[Bullet channel] No, [PTZ channel] Yes
Image Settings	saturation, brightness, contrast, sharpness
Image Parameters Switch	yes
Privacy Mask	[Bullet channel] No, [PTZ channel] 24 programmable polygon privacy masks; mask color or mosaic configurable

SNR	≥52 dB
Supplement Detection	
Gyroscope	yes
Interface	
Built-in Speaker	1 built-in speaker
Ethernet Interface	1 RJ45 100M self-adaptive Ethernet port
On-board Storage	Built-in memory card slot, support microSD/SDHC/SDXC card, up to 256 GB
Alarm	7 alarm inputs
Alarm Output	2 alarm output
Audio	1 audio input, 2.0 to 2.4 Vp-p, 1k Ohm±10%
Audio Output	1 audio output, line level, impedance: 600 Ω
RS-485	Half duplex, HIKVISION, Pelco-P, Pelco-D, self-adaptive
Reset	yes
Event	
Basic Event	audio exception, video tampering alarm, alarm in, alarm out, exceptions
Linkage	Upload to FTP/NAS/memory card, audible warning, preset, patrol scan, pattern scan, send email, notify surveillance center, white light flashing, trigger alarm output, trigger recording
Deep Learning Function	
Multi-Target-Type Detection	[Bullet channel] no,[PTZ channel] Supports simultaneous detection and capture of human body, face and vehicle
Water Level	
Detection Distance	≤100 m
Water Level Range	0 to 40 m
Minimum Scale	1 cm
Detection Accuracy	±2 cm
General	
General Function	mirror,password protection,watermark,IP address filter
Power	12 VDC/5 A max. 60 W (including 6 W for heater and 6 w for supplement light in panoramic channel, and 6 W for heater and 12 w for supplement light in PTZ channel)
Operating Condition	-40 °C to 70 °C (-40 °F to 158 °F). Humidity 90% or less (non-condensing) Operationing temperature for the speaker: -30 °C to 55 °C (-22 °F to 131 °F).
Wiper	yes
Demist	yes
Material	ADC12
Dimension	∅243 mm × 424 mm (∅9.57" × 16.69")
Weight	Without package: approx. 9.845 kg (21.7 lb.) With package: approx. 6.930 kg (15.28 lb.)
Language	33 languages: English, Russian, Estonian, Bulgarian, Hungarian, Greek, German, Italian, Czech, Slovak, French, Polish, Dutch, Portuguese, Spanish, Romanian, Danish, Swedish, Norwegian, Finnish, Croatian, Slovenian, Serbian, Turkish, Korean, Traditional Chinese, Thai, Vietnamese, Japanese, Latvian, Lithuanian, Portuguese (Brazil), Ukrainian
Approval	
Protection	IP67 (IEC 60529-2013),TVS 6000 V lightning protection, surge protection and voltage transient protection

▪ **Available Model**



DS-2SF8C432MXG-WD/14(F1)

▪ **Dimension**



▪ **Accessory**

▪ **Optional**

DS-1602ZJ-pole-P Pole Mount	DS-1602ZJ-P Wall Mount
	

Headquarters

No.555 Qianmo Road, Binjiang District,
Hangzhou 310051, China
T +86-571-8807-5998
www.hikvision.com



Follow us on social media to get the latest product and solution information.

