



# TandemVu PTZ Camera

Quick Start Guide

# Table of Contents

***English 15***

***Magyar 33***

***Français 17***

***Polski 35***

***Deutsch 19***

***Română 37***

***Español 21***

***Slovenčina 39***

***Italiano 23***

***Bahasa Indonesia 40***

***Português 25***

***Қазақ 42***

***Nederlands 27***

***Türkçe 46***

***Čeština 29***

***Русский 48***

***Dansk 31***

***Українська 50***



A

- |   |   |    |   |
|---|---|----|---|
| 1 |  | 7  |          |
| 2 |  | 8  | microSD  |
| 3 |  | 9  |          |
| 4 |  | 10 |          |
| 5 |  | 11 |          |
| 6 |  | 12 |          |

**B**

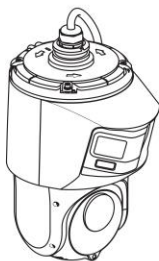
1



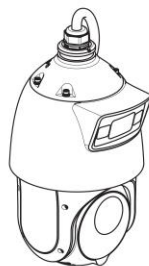
2

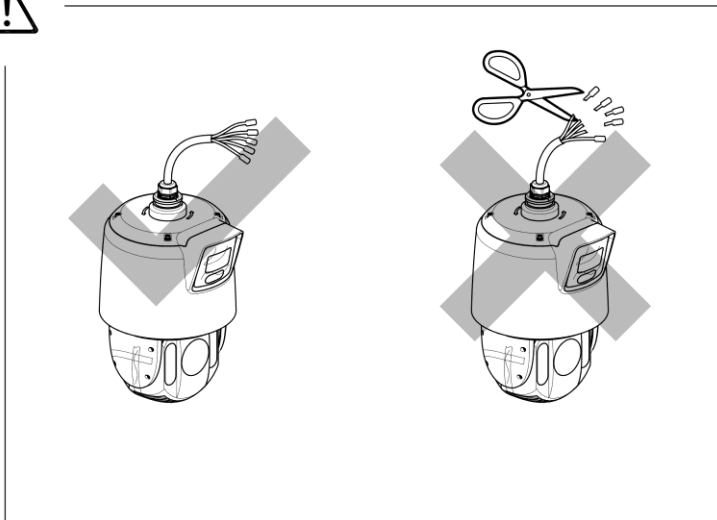


3

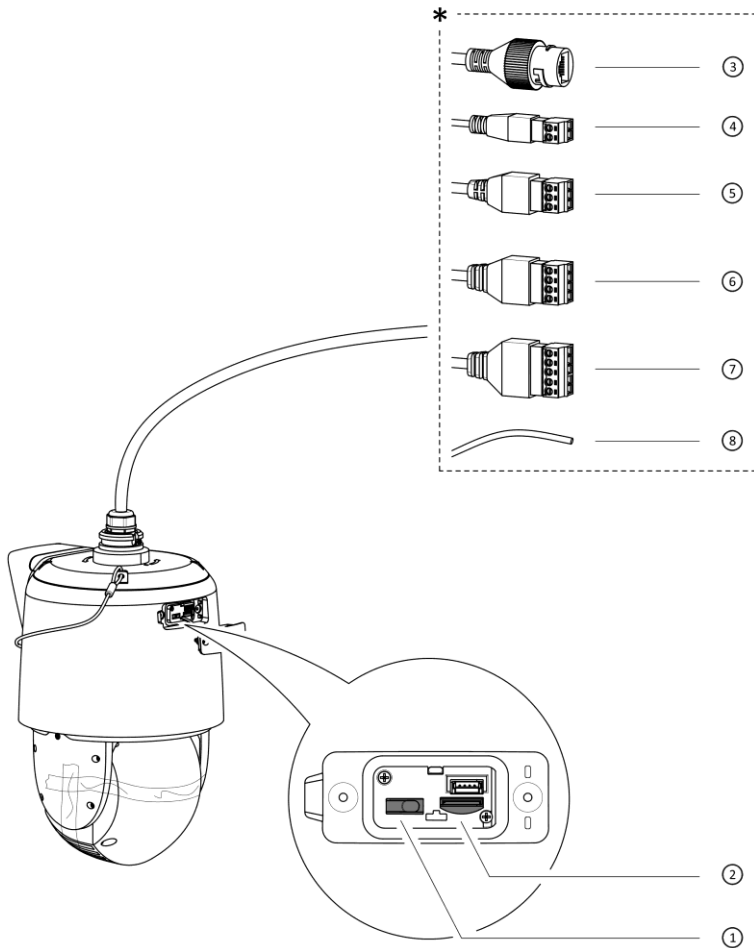


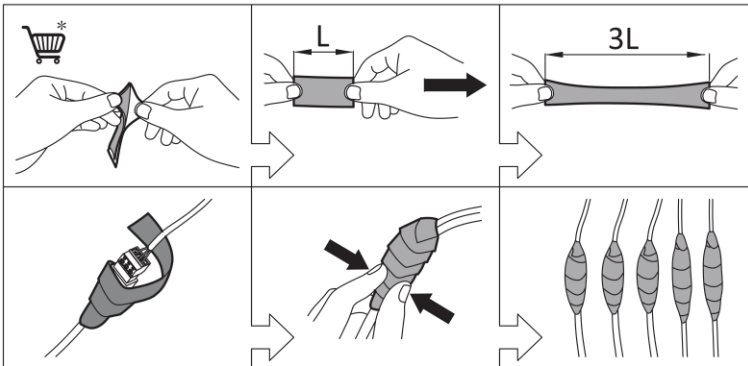
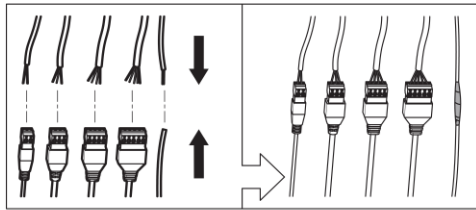
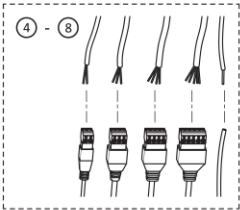
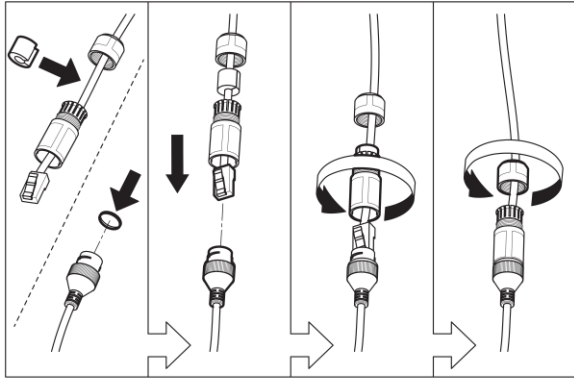
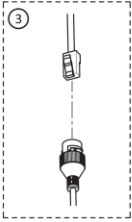
4



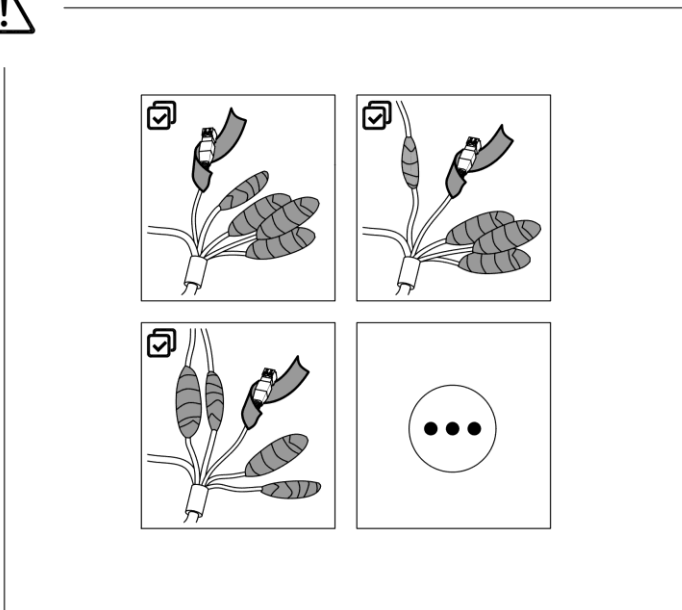


C

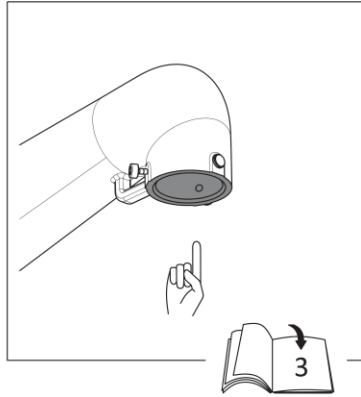
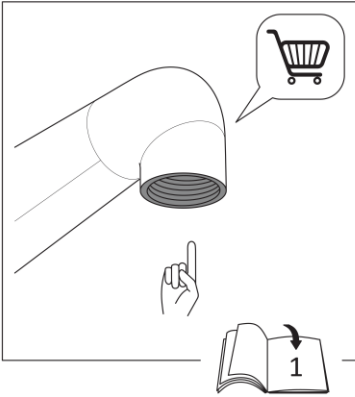




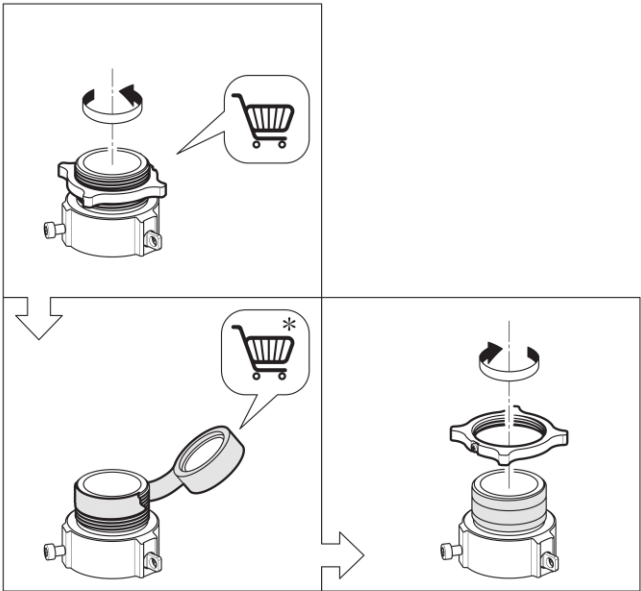




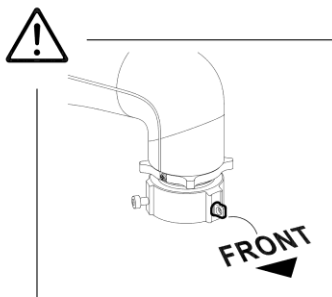
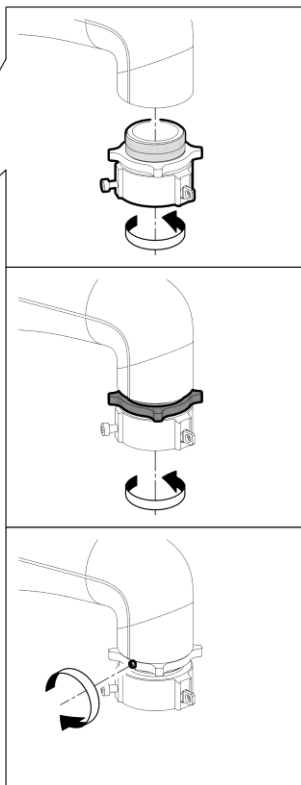
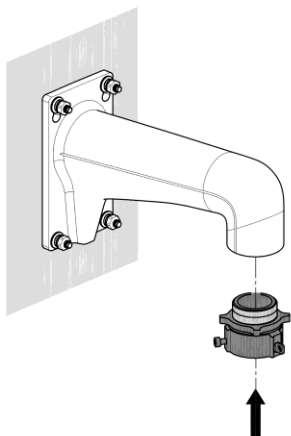
D



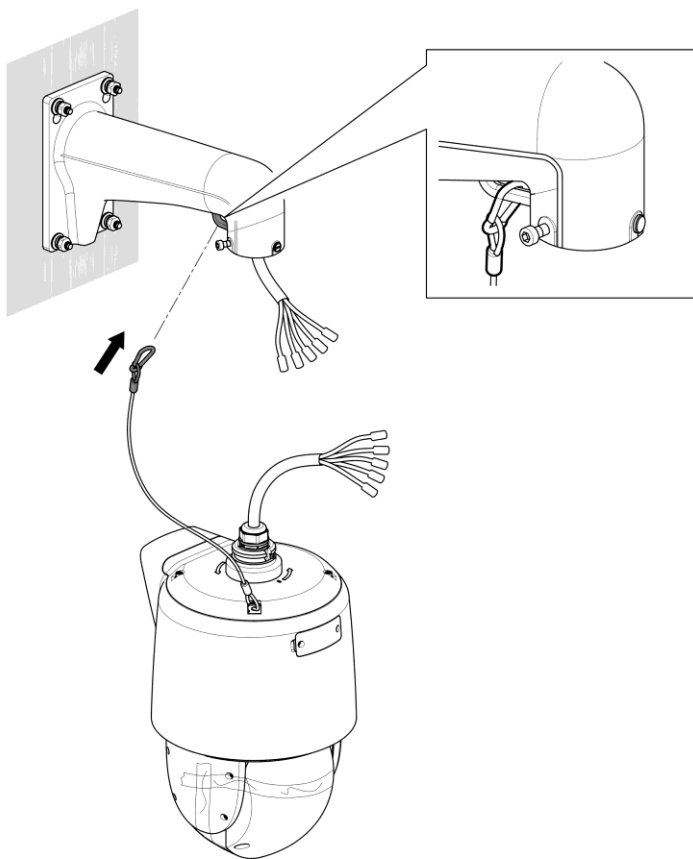
1



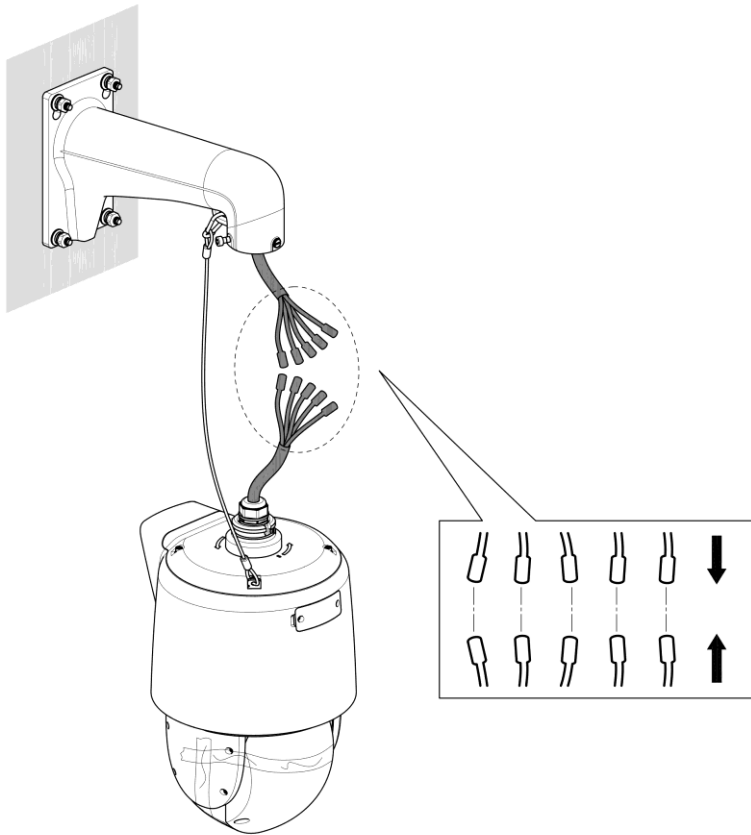
2



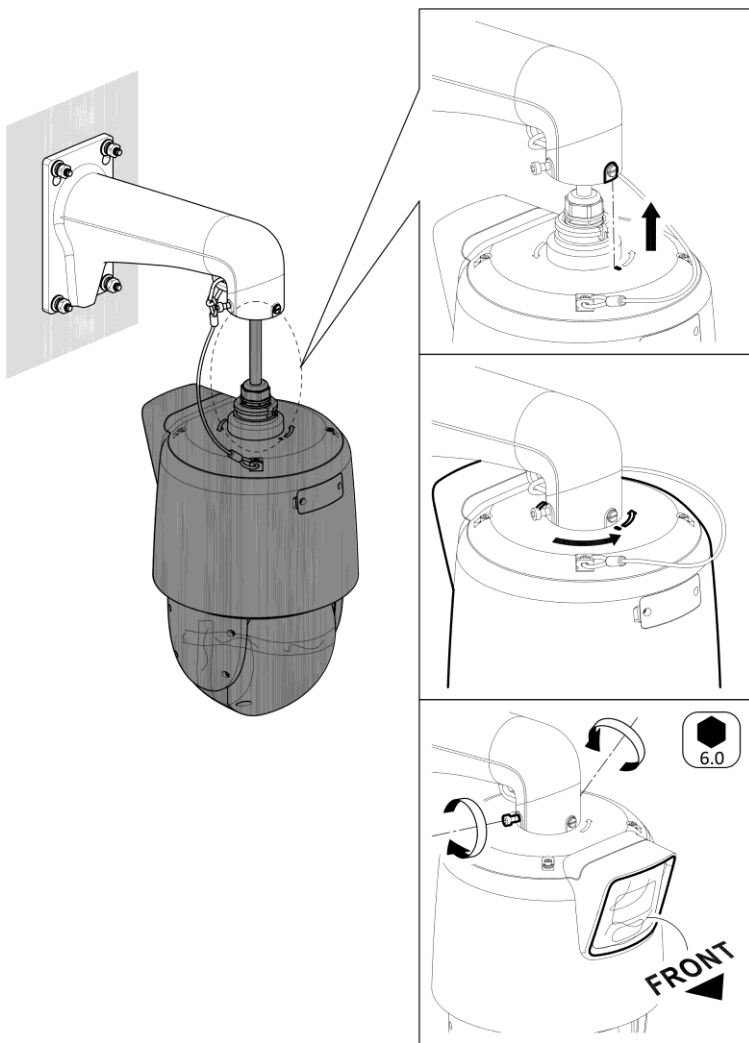
3



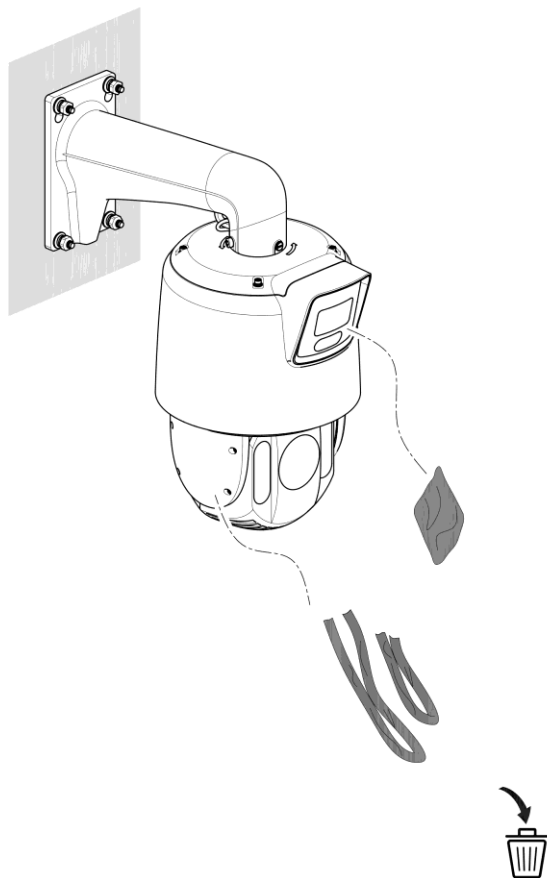
4

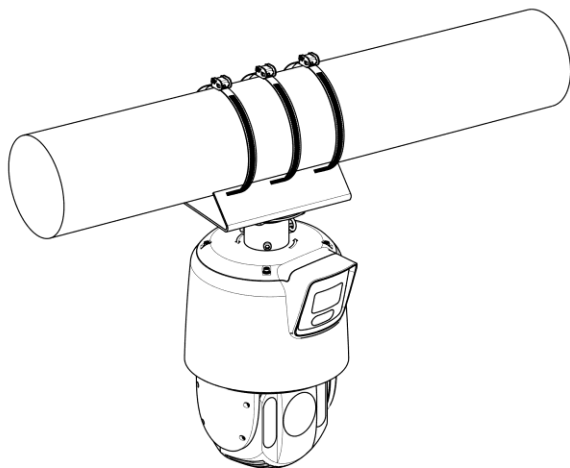
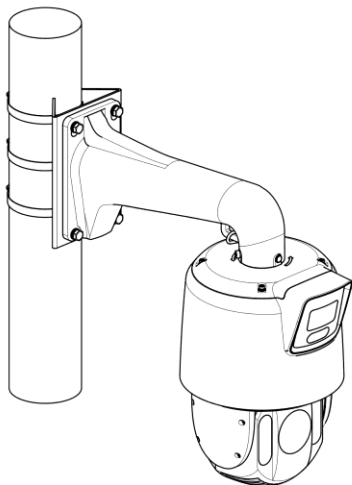


5



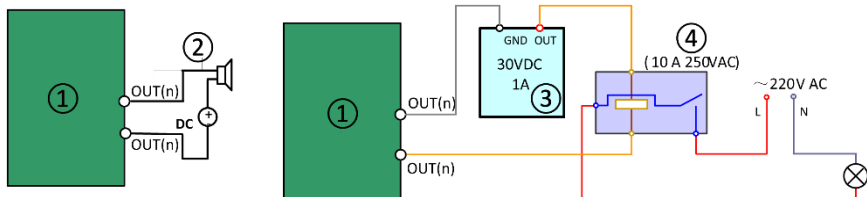
6







**E**



**F**



F1



F2



Read this manual before using the product.

Product appearance is for reference only and may differ from the actual product.

### Symbols and Marks (Page 1 – A)

1. Notice
2. Warning
3. Forbidden
4. Correct
5. Incorrect
6. Turn to step A and continue.
7. Not necessarily included accessory. /Variable accessory amount. /Skip this step if not required.
8. MicroSD card
9. Grounding
10. Disposal
11. Purchase separately
12. Possible options

### Appearance (Page 2 - B)

#### Accessory and Interface (Page 4 - C)

- ① Reset button: Press reset button for about 10 s when the camera is powering on or rebooting to restore the default settings, including the user name, password, IP address, port No., etc.
- ② Memory card slot
- ③ Network interface
- ④ Power interface
- ⑤ Audio interface
- ⑥ RS-485 and power interface
- ⑦ Alarm interface
- ⑧ GND

### Install Camera (Page 7 – D)

#### Alarm Output (Page 14 – E)

- ① Relay output
- ② DC load
- ③ Power supply
- ④ JQC-3FG Relay

#### Protective Measures for Outdoor Installation (Page 14 – F1)

#### Activate and Access Network Camera (Page 14 – F2)

© 2023 Hangzhou Hikvision Digital Technology Co., Ltd. All rights reserved.

#### About this Manual

The Manual includes instructions for using and managing the Product. Pictures, charts, images and all other information hereinafter are for description and explanation only. The information contained in the Manual is subject to change, without notice, due to firmware updates or other reasons. Please find the latest version of this Manual at the Hikvision website (<https://www.hikvision.com/>).

Please use this Manual with the guidance and assistance of professionals trained in supporting the Product.

#### Trademarks

**HIKVISION** and other Hikvision's trademarks and logos are the properties of Hikvision in various jurisdictions.

Other trademarks and logos mentioned are the properties of their respective owners.

#### DISCLAIMER

TO THE MAXIMUM EXTENT PERMITTED BY APPLICABLE LAW, THIS MANUAL AND THE PRODUCT DESCRIBED, WITH ITS HARDWARE, SOFTWARE AND FIRMWARE, ARE PROVIDED "AS IS" AND "WITH ALL FAULTS AND ERRORS". HIKVISION MAKES NO WARRANTIES, EXPRESS OR IMPLIED, INCLUDING WITHOUT LIMITATION, MERCHANTABILITY, SATISFACTORY QUALITY, OR FITNESS FOR A PARTICULAR PURPOSE. THE USE OF THE PRODUCT BY YOU IS AT YOUR OWN RISK. IN NO EVENT WILL HIKVISION BE LIABLE TO YOU FOR ANY SPECIAL, CONSEQUENTIAL, INCIDENTAL, OR INDIRECT DAMAGES, INCLUDING, AMONG OTHERS, DAMAGES FOR LOSS OF BUSINESS PROFITS, BUSINESS INTERRUPTION, OR LOSS OF

DATA, CORRUPTION OF SYSTEMS, OR LOSS OF DOCUMENTATION, WHETHER BASED ON BREACH OF CONTRACT, TORT (INCLUDING NEGLIGENCE), PRODUCT LIABILITY, OR OTHERWISE, IN CONNECTION WITH THE USE OF THE PRODUCT, EVEN IF HIKVISION HAS BEEN ADVISED OF THE POSSIBILITY OF SUCH DAMAGES OR LOSS.

YOU ACKNOWLEDGE THAT THE NATURE OF THE INTERNET PROVIDES FOR INHERENT SECURITY RISKS, AND HIKVISION SHALL NOT TAKE ANY RESPONSIBILITIES FOR ABNORMAL OPERATION, PRIVACY LEAKAGE OR OTHER DAMAGES RESULTING FROM CYBER-ATTACK, HACKER ATTACK, VIRUS INFECTION, OR OTHER INTERNET SECURITY RISKS; HOWEVER, HIKVISION WILL PROVIDE TIMELY TECHNICAL SUPPORT IF REQUIRED.

YOU AGREE TO USE THIS PRODUCT IN COMPLIANCE WITH ALL APPLICABLE LAWS, AND YOU ARE SOLELY RESPONSIBLE FOR ENSURING THAT YOUR USE CONFORMS TO THE APPLICABLE LAW. ESPECIALLY, YOU ARE RESPONSIBLE, FOR USING THIS PRODUCT IN A MANNER THAT DOES NOT INFRINGE ON THE RIGHTS OF THIRD PARTIES, INCLUDING WITHOUT LIMITATION, RIGHTS OF PUBLICITY, INTELLECTUAL PROPERTY RIGHTS, OR DATA PROTECTION AND OTHER PRIVACY RIGHTS. YOU SHALL NOT USE THIS PRODUCT FOR ANY PROHIBITED END-USES, INCLUDING THE DEVELOPMENT OR PRODUCTION OF WEAPONS OF MASS DESTRUCTION, THE DEVELOPMENT OR PRODUCTION OF CHEMICAL OR BIOLOGICAL WEAPONS, ANY ACTIVITIES IN THE CONTEXT RELATED TO ANY NUCLEAR EXPLOSIVE OR UNSAFE NUCLEAR FUEL-CYCLE, OR IN SUPPORT OF HUMAN RIGHTS ABUSES. IN THE EVENT OF ANY CONFLICTS BETWEEN THIS MANUAL AND THE APPLICABLE LAW, THE LATTER PREVAILS.

#### Regulatory Information

**These clauses apply only to the products bearing the corresponding mark or information.**

#### FCC Information

Please take attention that changes or modification not expressly approved by the party responsible for compliance could void the user's authority to operate the equipment.

**FCC compliance:** This equipment has been tested and found to comply with the limits for a Class A digital device, pursuant to part 15 of the FCC Rules. These limits are designed to provide reasonable protection against harmful interference when the equipment is operated in a commercial environment. This equipment generates, uses, and can radiate radio frequency energy and, if not installed and used in accordance with the instruction manual, may cause harmful interference to radio communications. Operation of this equipment in a residential area is likely to cause harmful interference in which case the user will be required to correct the interference at his own expense.

#### FCC Conditions

This device complies with part 15 of the FCC Rules.

Operation is subject to the following two conditions:

1. This device may not cause harmful interference.
2. This device must accept any interference received, including interference that may cause undesired operation.

#### EU/UK Compliance Statement



This product and - if applicable - the supplied accessories too are marked with "CE" and comply therefore with the applicable harmonized European standards listed under the EMC Directive 2014/30/EU, the LVD Directive 2014/35/EU, the RoHS Directive 2011/65/EU.



This product and - if applicable - the supplied accessories too are marked with "UKCA" and comply therefore with the following directives: Electromagnetic Compatibility Regulations 2016, Electrical Equipment (Safety) Regulations 2016, the Restriction of the Use of Certain Hazardous Substances in Electrical and Electronic Equipment Regulations 2012.

#### Warning

This is a class A product. In a domestic environment this product may cause radio interference in which case the user may be required to take adequate measures.

2012/19/EU (WEEE directive): Products marked with this



symbol cannot be disposed of as unsorted municipal waste in the European Union. For proper recycling, return this product to your local supplier upon the purchase of equivalent new equipment, or dispose of it at designated collection points. For more information see: [www.recyclethis.info](http://www.recyclethis.info)

[www.recyclethis.info](http://www.recyclethis.info)

According to the Waste Electrical and Electronic Equipment Regulations 2013: Products marked with this symbol cannot be disposed of as unsorted municipal waste in the United Kingdom. For proper recycling, return this product to your local supplier upon the purchase of equivalent new equipment, or dispose of it at designated collection points. For more information see: [www.recyclethis.info](http://www.recyclethis.info).



2006/66/EC and its amendment 2013/56/EU (battery directive): This product contains a battery that cannot be disposed of as unsorted municipal waste in the European Union. See the product documentation for specific battery information.

The battery is marked with this symbol, which may include lettering to indicate cadmium (Cd), lead (Pb), or mercury (Hg). For proper recycling, return the battery to your supplier or to a designated collection point. For more information see: [www.recyclethis.info](http://www.recyclethis.info).

According to the Batteries and Accumulators (Placing on the Market) Regulations 2008 and the Waste Batteries and Accumulators Regulations 2009: This product contains a battery that cannot be disposed of as unsorted municipal waste in the United Kingdom. See the product documentation for specific battery information. The battery is marked with this symbol, which may include lettering to indicate cadmium (Cd), lead (Pb), or mercury (Hg). For proper recycling, return the battery to your supplier or to a designated collection point. For more information see: [www.recyclethis.info](http://www.recyclethis.info).

#### Industry Canada ICES-003 Compliance

This device meets the CAN ICES-3 (A)/NMB-3(A) standards requirements.

Cet appareil répond aux exigences des normes CAN ICES-003 (A)/NMB-003 (A).

#### KC

A 급 기기: 이 기기는 업무용(A 급) 전자파적합기기로서 판매자 또는 사용자는 이 점을 주의하시기바라며, 가정 외의 지역에서 사용하는 것을 목적으로 합니다.

#### Safety Instructions



#### Warnings

##### Laws and Regulations

The device should be used in compliance with local laws, electrical safety regulations, and fire prevention regulations.

##### Electrical Safety

**CAUTION:** To reduce the risk of fire, replace only with the same type and rating of fuse.

This equipment shall be installed incorporated with UPS to avoid the risk of restart.

The equipment must be connected to an earthed mains socket-outlet.

A readily accessible disconnect device with the appropriate rating shall be incorporated external to the equipment.

An overcurrent protective device with the appropriate rating shall be incorporated external to the equipment not exceeding the specification of the building.

An all-pole mains switch shall be incorporated in the electrical installation of the building.

##### Battery

This equipment is not suitable for use in locations where children are likely to be present.

**CAUTION:** Risk of explosion if the battery is replaced by an incorrect type.

Improper replacement of the battery with an incorrect type may defeat a safeguard (for example, in the case of some lithium battery types).

Do not dispose of the battery into fire or a hot oven, or mechanically crush or cut the battery, which may result in an explosion.

Do not leave the battery in an extremely high temperature surrounding environment, which may result in an explosion or the leakage of flammable liquid or gas.

Do not subject the battery to extremely low air pressure, which may result in an explosion or the leakage of flammable liquid or gas.

Dispose of used batteries according to the instructions.



#### Cautions

##### Electrical Safety

Ensure correct wiring of the terminals for connection to an AC mains supply.

The equipment has been designed, when required, modified for connection to an IT power distribution system.

##### Fire Prevention

No naked flame sources, such as lighted candles, should be placed on the equipment.

The serial port of the equipment is used for debugging only.

##### Hot Surface

**CAUTION:** Hot parts! Burned fingers when handling the parts.



This sticker is to indicate that the marked item can be hot and should not be touched without taking care. Wait one-half hour after switching off before

handling parts.

The device with this sticker is intended for installation in a restricted access location. Access can only be gained by service persons or by users who have been instructed about the reasons for the restrictions applied to the location and about any precautions that shall be taken.

##### Installation

Install the equipment according to the instructions in this manual.

Be sure that there is enough space to install the device and accessories.

Make sure that the wall is strong enough to withstand at least 8 times the weight of the camera and the mount.

Make sure that the power has been disconnected before you wire, install, or disassemble the device.

##### Transportation

Keep the device in original or similar packaging while transporting it.

Do not drop the product or subject it to physical shock.

##### Power Supply

The power source should meet limited power source or PS2 requirements according to IEC 60950-1 or IEC 62368-1 standard.

Refer to the device label for the standard power supply. Please make sure your power supply matches with your device.

Use a power adapter provided by qualified manufacturers. It is recommended to provide an independent power adapter for each device as adapter overload may cause over-heating or a fire hazard.

##### System Security

Please understand that you have the responsibility to configure all the passwords and other security settings about the device, and keep your user name and password.

##### Maintenance

If the product does not work properly, please contact your dealer or the nearest service center. We shall not assume any responsibility for problems caused by unauthorized repair or maintenance.

A few device components (e.g., electrolytic capacitor) require regular replacement. The average lifespan varies, so periodic checking is recommended. Contact your dealer for details.

##### Cleaning

Please use a soft and dry cloth to clean the interior and exterior surfaces. Do not use alkaline detergents.

##### Using Environment

When any laser equipment is in use, make sure that the device lens is not exposed to the laser beam, or it may burn out.

Do not aim the lens at the sun or any other bright light. To avoid heat accumulation, good ventilation is required for a proper operating environment.

DO NOT expose the device to extremely hot, cold, dusty, corrosive, saline-alkali, or damp environments. For temperature and humidity requirements, see device specification.

DO NOT expose the device to high electromagnetic radiation. **Illuminator**

Make sure that there is no reflective surface too close to the camera lens. The IR light from the camera may reflect back into the lens causing reflection.

Type 2 Camera: The beam of the light at the distance of 200 mm is classified as Risk Group 1 (RG1) The safety distance is 70 mm.

Type 3 Camera: The beam of the light at the distance of 200 mm is classified as Risk Group 2 (RG2), and at the distance of 250 mm is classified as Risk Group 1 (RG1). The safety distance is 70 mm.

Possible hazardous optical radiation emitted from this product. Do NOT stare at operating light source. May be harmful to the eyes.

If appropriate shielding or eye protection is not available, turn on the light only at a safe distance or in the area that is not directly exposed to the light when installing or maintaining the device.


### Emergency

If smoke, odor, or noise arises from the device, immediately turn off the power, unplug the power cable, and contact the service center.

### Time Synchronization

Set up device time manually for the first time access if the local time is not synchronized with that of the network. Visit the device via Web browser/client software and go to time settings interface.

## Français

 Lisez ce manuel avant d'utiliser le produit.

L'image du produit est donnée uniquement à titre de référence et le produit réel peut présenter un aspect différent.

### Symboles et marques (Page 1 - A)

1. Attention
2. Avertissement
3. Interdit
4. Correct
5. Incorrect
6. Revenez à l'étape A et continuez.
7. Accessoire non forcément inclus. /Nombre variable d'accessoires. /Ignorez cette étape si elle n'est pas nécessaire.
8. Carte microSD
9. Mise à la terre
10. Mise au rebut
11. À acheter séparément
12. Options possibles

### Apparence (Page 2 - B)

#### Accessoire et interface (Page 4 - C)

- ① Bouton de réinitialisation : Appuyez sur le bouton de réinitialisation pendant environ 10 s lors de la mise en marche ou du redémarrage de la caméra pour restaurer les paramètres par défaut, notamment le nom d'utilisateur, le mot de passe, l'adresse IP, le numéro de port, etc.
- ② Fente pour carte mémoire
- ③ Interface réseau
- ④ Interface d'alimentation
- ⑤ Interface audio
- ⑥ Interface d'alimentation et RS-485
- ⑦ Interface d'alarme

### ⑧ GND

#### Installation de la caméra (Page 7 - D)

#### Sortie d'alarme (Page 14 – E)

- ① Sortie relais
- ② Chargement CC
- ③ Alimentation
- ④ Relais JQC-3FG

#### Mesure de protection pour une installation à l'extérieur (Page 14 – F1)

#### Activation et accès à la caméra réseau (Page 14 – F2)

©2023 Hangzhou Hikvision Digital Technology Co., Ltd. Tous droits réservés.

#### À propos de ce manuel

Ce manuel fournit des instructions d'utilisation et de gestion du produit. Les images, les tableaux, les figures et toutes les autres informations ci-après ne sont données qu'à titre de description et d'explication. Les informations contenues dans ce manuel sont modifiables sans préavis, en raison d'une mise à jour d'un micrologiciel ou pour d'autres raisons. Veuillez trouver la dernière version de ce manuel sur le site Internet de Hikvision (<https://www.hikvision.com/>). Veuillez utiliser ce mode d'emploi avec les conseils et l'assistance de professionnels spécialement formés dans la prise en charge de ce produit.

#### Marques déposées

**HIKVISION** et les autres logos et marques de commerce de Hikvision sont la propriété de Hikvision dans divers pays.

Toutes les autres marques et tous les logos mentionnés appartiennent à leurs propriétaires respectifs.

#### CLAUSE D'EXCLUSION DE RESPONSABILITÉ

DANS LES LIMITES AUTORISÉES PAR LA LOI EN VIGUEUR, LE PRÉSENT MANUEL ET LE PRODUIT DÉCRIT, AINSI QUE SON MATÉRIEL, SES LOGICIELS ET SES MICROLOGICIELS, SONT FOURNIS « EN L'ÉTAT » ET « AVEC CES FAIBLESSES ET ERREURS ». HIKVISION NE FAIT AUCUNE GARANTIE, EXPLICITE OU IMPLICITE, Y COMPRIS, MAIS SANS S'Y LIMITER, DE QUALITÉ MARCHANDE, DE QUALITÉ SATISFAISANTE, OU D'ADÉQUATION À UN USAGE PARTICULIER. VOUS UTILISEZ LE PRODUIT À VOS PROPRES RISQUES. HIKVISION NE SERA EN AUCUN CAS TENU RESPONSABLE POUR TOUT DOMMAGE SPÉCIAL, CONSÉCUTIF, ACCESSOIRE OU INDIRECT, Y COMPRIS, ENTRE AUTRES, LES DOMMAGES RELATIFS À LA PERTE DE PROFITS D'ENTREPRISE, À L'INTERRUPTION D'ACTIVITÉS COMMERCIALES, OU LA PERTE DES DONNÉES, LA CORRUPTION DES SYSTÈMES, OU LA PERTE DES DOCUMENTS, S'ILS SONT BASÉS SUR UNE VIOLATION DE CONTRAT, UNE FAUTE (Y COMPRIS LA NÉGLIGENCE), LA RESPONSABILITÉ EN MATIÈRE DE PRODUITS, OU AUTRE, EN RAPPORT AVEC L'UTILISATION DU PRODUIT, MÊME SI HIKVISION A ÉTÉ INFORMÉ DE LA POSSIBILITÉ D'UN TEL DOMMAGE OU D'UNE TELLE PERTE.

VOUS RECONNAISSEZ QUE LA NATURE D'INTERNET EST SOURCE DE RISQUES DE SÉCURITÉ INHÉRENTS, ET HIKVISION SE DÉGAGE DE TOUTE RESPONSABILITÉ EN CAS DE FONCTIONNEMENT ANORMAL, DIVULGATION D'INFORMATIONS CONFIDENTIELLES OU AUTRES DOMMAGES DÉCOULANT D'UNE CYBERATTAQUE, D'UN PIRATAGE INFORMATIQUE, D'UNE INFECTION PAR DES VIRUS, OU AUTRES RISQUES DE SÉCURITÉ LIÉS À INTERNET ; TOUTEFOIS, HIKVISION FOURNIRA UNE ASSISTANCE TECHNIQUE DANS LES DÉLAIS, LE CAS ÉCHÉANT.

VOUS ACCEPTEZ D'UTILISER CE PRODUIT CONFORMÉMENT À L'ENSEMBLE DES LOIS EN VIGUEUR. IL EST DE VOTRE RESPONSABILITÉ EXCLUSIVE DE VEILLER À CE QUE VOTRE UTILISATION SOIT CONFORME À LA LOI APPLICABLE. IL VOUS APPARTIENNT SURTOUT D'UTILISER CE PRODUIT D'UNE MANIÈRE QUI NE PORTE PAS ATTEINTE AUX DROITS DE TIERS, Y COMPRIS, MAIS SANS S'Y LIMITER, LES DROITS DE PUBLICITÉ, LES DROITS DE PROPRIÉTÉ INTELLECTUELLE, OU LA PROTECTION DES DONNÉES ET D'AUTRES DROITS À LA VIE PRIVÉE. VOUS NE DEVEZ PAS UTILISER CE PRODUIT POUR TOUTE UTILISATION FINALE INTERDITE, NOTAMMENT LA MISE AU POINT OU LA PRODUCTION D'ARMES DE DESTRUCTION MASSIVE, LA MISE AU POINT OU LA FABRICATION D'ARMES CHIMIQUES OU BIOLOGIQUES, LES ACTIVITÉS DANS LE CONTEXTE LIÉ AUX EXPLOSIFS

NUCLÉAIRES OU AU CYCLE DU COMBUSTIBLE NUCLÉAIRE DANGEREUX, OU SOUTENANT LES VIOLATIONS DES DROITS DE L'HOMME.

EN CAS DE CONFLIT ENTRE CE MANUEL ET LES LOIS EN VIGUEUR, CES DERNIÈRES PRÉVALENT.

### Réglementation

Ces clauses ne s'appliquent qu'aux produits portant la marque ou l'information correspondante.

### Déclaration de conformité UE



Ce produit et, le cas échéant, les accessoires fournis portent la marque « CE » attestant de leur conformité aux normes européennes harmonisées en vigueur regroupées sous la directive sur les émissions électromagnétiques 2014/30/UE, la directive sur les basses tensions 2014/35/UE et la directive RoHS 2011/65/UE.



2012/19/UE (directive DEEE) : Dans l'Union européenne, les produits portant ce pictogramme ne doivent pas être déposés dans une déchèterie municipale où le tri des déchets n'est pas pratiqué. Pour un recyclage adéquat, remettez ce produit à

votre revendeur lors de l'achat d'un nouvel équipement équivalent, ou déposez-le dans un lieu de collecte prévu à cet effet. Pour plus d'informations, rendez-vous sur : [www.recyclethis.info](http://www.recyclethis.info)



2006/66/CE et son amendement 2013/56/UE (directive sur les batteries) : Ce produit renferme une batterie qui ne doit pas être déposée dans une déchèterie municipale où le tri des déchets n'est pas pratiqué, dans l'Union européenne. Pour plus de précisions sur la batterie, reportez-vous à sa documentation. La batterie porte le pictogramme ci-contre, qui peut inclure la mention Cd (cadmium), Pb (plomb) ou Hg (mercure). Pour la recycler correctement, renvoyez la batterie à votre revendeur ou déposez-la dans un point de collecte prévu à cet effet. Pour de plus amples informations, visitez le site Web : [www.recyclethis.info](http://www.recyclethis.info).

### Avertissement

Il s'agit d'un produit de classe A. Dans un environnement domestique, ce produit peut provoquer des interférences radio, auquel cas l'utilisateur peut être amené à prendre des mesures adéquates.

### Précautions d'emploi



#### Avertissements

#### Lois et réglementations

L'appareil doit être utilisé conformément à la législation locale ainsi qu'aux réglementations en matière de sécurité électrique et de prévention des incendies.

#### Sécurité électrique

**ATTENTION** : Pour réduire le risque d'incendie, remplacez-le uniquement par un fusible de même type et de même calibre.

Cet équipement doit être installé avec un onduleur pour éviter tout risque de redémarrage.

L'équipement doit être connecté à une prise de courant reliée à la terre.

Un dispositif de déconnexion facilement accessible et de classification appropriée doit être incorporé de manière externe à l'équipement.

Un dispositif de protection contre les surintensités et de classification appropriée doit être intégré en externe à l'équipement, sans dépasser les spécifications du bâtiment.

Un interrupteur principal omnipolaire doit être intégré à l'installation électrique du bâtiment.

#### Pile

Cet équipement n'est pas adapté à un usage dans les endroits où des enfants sont susceptibles d'être présents.

**ATTENTION** : Il y a un risque d'explosion lorsque la pile est remplacée par une pile de type incorrect.

Le remplacement de la pile par une pile du mauvais type peut conduire à l'annulation d'une protection (par exemple, dans le cas de certains types de batteries au lithium).

Ne jetez pas une batterie au feu ou dans un four chaud, ni ne broyez mécaniquement ou découpez une batterie, car cela pourrait engendrer une explosion.

Ne laissez pas une batterie dans un environnement ambiant extrêmement chaud, car vous encourez un risque d'explosion ou une fuite de liquide ou de gaz inflammable.

N'exposez pas une batterie à des pressions atmosphériques extrêmement basses, car vous encourez un risque d'explosion ou une fuite de liquide ou de gaz inflammable.

Éliminez les batteries usées conformément aux instructions.



### Précautions

#### Sécurité électrique

Assurez-vous d'effectuer un câblage approprié des bornes pour un branchement à une alimentation secteur.

L'équipement a été conçu, lorsque nécessaire, et modifié pour être connecté à un système à neutre impédant.

#### Prévention des incendies

Aucune source de flamme nue, telle que des bougies allumées, ne doit être placée sur l'équipement.

Le port série de l'équipement est utilisé uniquement à des fins de débogage.

#### Surface chaude

**ATTENTION** : Composants chauds ! La manipulation des pièces risque de brûler les doigts.



Cet autocollant indique que l'élément marqué peut être chaud et qu'il doit être manipulé avec précaution. Attendez une demi-heure après l'arrêt de l'appareil avant de manipuler les pièces.

La présence de cet autocollant sur un appareil indique qu'il doit être installé dans une zone dont l'accès est restreint. L'accès est réservé au personnel de service ou aux utilisateurs ayant été formés sur les raisons des restrictions appliquées à cette zone et sur toutes les précautions à prendre.

#### Installation

Installez l'équipement conformément aux instructions de ce manuel.

Assurez-vous qu'il y a assez d'espace pour l'installation de l'appareil et de ses accessoires.

Assurez-vous que le mur est suffisamment solide pour supporter au moins huit fois le poids de la caméra et de son support.

S'assurer que l'alimentation est coupée avant de procéder au câblage, à l'installation ou au démontage de l'appareil.

#### Transport

Gardez l'appareil dans son emballage d'origine ou dans un emballage similaire lors de son transport.

Ne pas faire tomber le produit ou le soumettre à un choc physique.

#### Alimentation électrique

La source d'alimentation doit répondre aux exigences AE2 ou relatives à une source d'alimentation limitée conformément à la norme CEI 60950-1 ou CEI 62368-1.

Reportez-vous à l'étiquette de l'appareil pour connaître les caractéristiques de l'alimentation électrique. Assurez-vous que les caractéristiques de votre alimentation électrique correspondent à celles de votre appareil.

Utilisez un adaptateur d'alimentation fourni par un fabricant qualifié. Il est recommandé de prévoir un adaptateur d'alimentation indépendant pour chaque appareil, car toute surcharge peut entraîner un risque de surchauffe voire d'incendie.

#### Sécurité du système

Vous êtes responsable de la configuration de tous les mots de passe et d'autres paramètres de sécurité concernant l'appareil. Gardez votre nom d'utilisateur et votre mot de passe en sécurité.

#### Maintenance

Si le produit ne fonctionne pas correctement, contactez votre revendeur ou le centre de service le plus proche. Nous n'assumerons aucune responsabilité concernant les problèmes causés par une réparation ou une opération de maintenance non autorisée.

Certains composants de l'appareil (p. ex., condensateur électrolytique) doivent être remplacés régulièrement. Leur durée de vie moyenne est variable, c'est pourquoi des contrôles périodiques sont recommandés. Veuillez contacter votre distributeur pour plus d'informations.

## Nettoyage

Veuillez nettoyer les parois internes et externes à l'aide d'un chiffon doux et sec. N'utilisez pas de détergent alcalin.

## Environnement d'exploitation

Pendant l'utilisation de tout équipement générant un laser, veillez à ce que l'objectif de l'appareil ne soit pas exposé au faisceau laser, car il pourrait brûler.

N'orientez pas l'objectif vers le soleil ou toute autre source de lumière vive.

Pour éviter l'accumulation de chaleur, une bonne aération est requise afin de fournir au produit un environnement de fonctionnement adéquat.

N'exposez PAS l'appareil à des environnements extrêmement chauds, froids, poussiéreux, corrosifs, salins-alcalins ou humides. Pour les dispositions nécessaires en matière de température et d'humidité, consultez les spécifications de l'appareil.

N'exposez PAS l'appareil à de puissants rayonnements électromagnétiques.

## Bloc d'éclairage

Assurez-vous qu'aucune surface réfléchissante ne se trouve à proximité de l'objectif de la caméra. La lumière infrarouge de la caméra peut subir une réflexion dans l'objectif et entraîner des problèmes de réflexion.

Ce produit est susceptible d'émettre des rayonnements optiques dangereux. NE regardez PAS la source lumineuse lorsqu'elle est allumée. Elle peut être nocive pour les yeux. Si vous ne disposez pas d'un blindage ou d'une protection optique appropriés, n'activez la lumière qu'à une distance sûre ou dans la zone qui n'est pas directement exposée à la lumière lors de l'installation ou de l'entretien du dispositif.


## Urgence

Si de la fumée, des odeurs ou du bruit s'échappent de l'appareil, mettez immédiatement l'appareil hors tension et débranchez le câble d'alimentation, puis contactez un centre de réparation.

## Synchronisation de l'heure

Si l'heure locale de l'appareil n'est pas synchronisée avec celle du réseau, configurez-la manuellement lors du premier accès. Accédez à l'appareil via un navigateur Web/le logiciel client, puis rendez-vous dans l'interface des réglages de l'heure.

## Deutsch

 Lesen Sie diese Bedienungsanleitung, bevor Sie das Produkt verwenden.

Das Erscheinungsbild des Produkts dient nur als Referenz und kann vom tatsächlichen Produkt abweichen.

## Symbole und Zeichen (Seite 1 – A)

1. Hinweis
2. Warnhinweis
3. Verboten
4. Richtig
5. Falsch
6. Gehen Sie zu Schritt A und fahren Sie fort.
7. Nicht unbedingt mitgeliefertes Zubehör. /Variabler Zubehörumfang. /Überspringen Sie diesen Schritt, wenn nicht erforderlich ist.
8. MicroSD-Karte
9. Erdung
10. Entsorgung
11. Separat erhältlich
12. Mögliche Optionen

## Erscheinungsbild (Seite 2 - B)

### Zubehör und Anschlüsse (Seite 4- C)

- ① Rücksetztaste: Drücken Sie beim Einschalten oder Neustart der Kamera ca. 10 s die Zurücksetzen-Taste, um die Standardinstellungen einschließlich Benutzername,

Passwort, IP-Adresse, Port-Nr. usw. wiederherzustellen.

- ② Speicherkarteneinschub
- ③ Netzwerkanschluss
- ④ Stromanschluss
- ⑤ Audioanschluss
- ⑥ RS-485 und Stromversorgungsanschluss
- ⑦ Alarmanschluss
- ⑧ MASSE

## Kamera installieren (Seite 7 – D)

### Alarmanstieg (Seite 14 – E)

- ① Relaisausgang
- ② DC last
- ③ Spannungsversorgung
- ④ JQC-3FG-Relais

### Schutzmaßnahmen für Außeninstallation (Seite 14 – F1)

### Aktivieren und Zugriff auf Netzwerk-Kamera (Seite 14 – F2)

© 2023 Hangzhou Hikvision Digital Technology Co., Ltd. Alle Rechte vorbehalten.

## Hinweise zu dieser Bedienungsanleitung

Die Bedienungsanleitung enthält Anleitungen zur Verwendung und Verwaltung des Produkts. Bilder, Diagramme, Abbildungen und alle sonstigen Informationen dienen nur der Beschreibung und Erklärung. Die Änderung der in der Bedienungsanleitung enthaltenen Informationen ist aufgrund von Firmware-Aktualisierungen oder aus anderen Gründen vorbehalten. Die neueste Version dieser Bedienungsanleitung finden Sie auf der Hikvision-Website (<https://www.hikvision.com/>).

Bitte verwenden Sie diese Bedienungsanleitung unter Anleitung und Unterstützung von Fachleuten, die für den Support des Produkts geschult sind.

## Markenzeichen

**HIKVISION** und andere Marken und Logos von Hikvision sind Eigentum von Hikvision in verschiedenen Ländern.

Andere hier erwähnte Marken und Logos sind Eigentum ihrer jeweiligen Inhaber.

## HAFTUNGSAUSSCHLUSS

DIESE BETRIEBUNGSANLEITUNG UND DAS BESCHRIEBENE PRODUKT MIT SEINER HARDWARE, SOFTWARE UND FIRMWARE WERDEN, SOWEIT GESETZLICH ZULÄSSIG, IN DER „VORLIEGENDEN FORM“ UND MIT „ALLEN FEHLERN UND IRRTÜMERN“ BEREITGESTELLT. HIKVISION ÜBERNIMMT KEINE AUSDRÜCKLICHEN ODER STILLSCHWEIGENDEN GARANTIE, EINSCHLIESSLICH, ABER NICHT BESCHRÄNKT AUF DIE MARKTGÄNGIGKEIT, ZUFRIEDENSTELLENDEN QUALITÄT ODER EIGNUNG FÜR EINEN BESTIMMTEN ZWECK. DIE NUTZUNG DES PRODUKTS DURCH SIE ERFOLGT AUF IHRE EIGENE GEFAHR. IN KEINEM FALL IST HIKVISION INHEN GEGENÜBER HAFTBAR FÜR BESONDERE, ZUFÄLLIGE, DIREKTE ODER INDIREKTE SCHÄDEN, EINSCHLIESSLICH, JEDOCH NICHT DARAUF BESCHRÄNKT, VERLUST VON GESCHÄFTSGEWINNEN, GESCHÄFTSUNTERBRECHUNG, DATENVERLUST, SYSTEMBESCHÄDIGUNG, VERLUST VON DOKUMENTATIONEN, SEI ES AUFGRUND VON VERTRAGSBRUCH, UNERLAUBTER HANDLUNG (EINSCHLIESSLICH FAHRLÄSSIGKEIT), PRODUKTHAFTUNG ODER ANDERWEITIG, IN VERBINDUNG MIT DER VERWENDUNG DIESES PRODUKTS, SELBST WENN HIKVISION ÜBER DIE MÖGLICHKEIT DERARTIGER SCHÄDEN ODER VERLUSTE INFORMIERT WAR.

SIE ERKENNEN AN, DASS DIE NATUR DES INTERNETS DAMIT VERBUNDENE SICHERHEITSRISIKEN BEINHALTET. HIKVISION ÜBERNIMMT KEINE VERANTWORTUNG FÜR ANORMALEN BETRIEB, DATENVERLUST ODER ANDERE SCHÄDEN, DIE SICH AUS CYBERANGRIFFEN, HACKERANGRIFFEN, VIRUSINFESTION ODER ANDEREN SICHERHEITSRISIKEN IM INTERNET ERGEBEN. HIKVISION WIRD JEDOCH BEI BEDARF ZEITNAH TECHNISCHEM SUPPORT LEISTEN.

SIE STIMMEN ZU, DIESES PRODUKT IN ÜBEREINSTIMMUNG MIT ALLEN GELTENDEN GESETZEN ZU VERWENDEN, UND SIE SIND ALLEIN DAFÜR VERANTWORTLICH, DASS IHRE VERWENDUNG GEGEN KEINE GELTENDEN GESETZE VERSTÖßT. INSBESONDERE SIND SIE DAFÜR VERANTWORTLICH, DIESES PRODUKT SO ZU VERWENDEN,

DASS DIE RECHTE DRITTER NICHT VERLETZT WERDEN, EINSCHLIEßLICH, ABER NICHT BESCHRÄNKT AUF VERÖFFENTLICHUNGSRECHTE, DIE RECHTE AN GEISTIGEM EIGENTUM ODER DEN DATENSCHUTZ UND ANDERE PERSÖNLICHKEITSRECHTE. SIE DÜRFEN DIESES PRODUKT NICHT FÜR VERBOTENE ENDANWENDUNGEN VERWENDEN, EINSCHLIEßLICH DER ENTWICKLUNG ODER HERSTELLUNG VON MENSCHENRICHTUNGSWAFFEN, DER ENTWICKLUNG ODER HERSTELLUNG CHEMISCHER ODER BIOLOGISCHER WAFFEN, JEDLICHER AKTIVITÄTEN IM ZUSAMMENHANG MIT EINEM NUKLEAREN SPRENGKÖRPER ODER UNSICHEREN NUKLEAREN BRENNSTOFFKREISLAUF BZW. ZUR UNTERSTÜTZUNG VON MENSCHENRECHTSVERLETZUNGEN. IM FALL VON WIDERSPRÜCHEN ZWISCHEN DIESER BEDIENUNGSANLEITUNG UND GELTENDEM RECHT IST LETZTERES MASSGEBLICH.

#### Behördliche Informationen

**Diese Bestimmungen gelten nur für Produkte, die das entsprechende Zeichen oder die entsprechenden Informationen tragen.**

#### EU-Konformitätserklärung



Dieses Produkt und – sofern zutreffend – das mitgelieferte Zubehör sind mit „CE“ gekennzeichnet und entsprechen daher den geltenden

harmonisierten europäischen Normen gemäß der EMV-Richtlinie 2014/30/EU, der Niederspannungsrichtlinie 2014/35/EU und der RoHS-Richtlinie 2011/65/EU.



2012/19/EU (Elektroaltgeräte-Richtlinie): Produkte, die mit diesem Symbol gekennzeichnet sind, dürfen innerhalb der Europäischen Union nicht mit dem Hausmüll entsorgt werden. Für korrektes Recycling geben Sie dieses Produkt an Ihren örtlichen

Fachhändler zurück oder entsorgen Sie es an einer der Sammelstellen. Weitere Informationen finden Sie unter: [www.recyclethis.info](http://www.recyclethis.info)



2006/66/EG und deren Änderung 2013/56/EU (Batterie-Richtlinie): Dieses Produkt enthält eine Batterie, die innerhalb der Europäischen Union nicht mit dem Hausmüll entsorgt werden darf. Siehe Produktdokumentation für spezifische Hinweise zu

Batterien. Die Batterie ist mit diesem Symbol gekennzeichnet, das zusätzlich die Buchstaben Cd für Cadmium, Pb für Blei oder Hg für Quecksilber enthalten kann. Für korrektes Recycling geben Sie die Batterie an Ihren örtlichen Fachhändler zurück oder entsorgen Sie sie an einer der Sammelstellen. Weitere Informationen finden Sie unter: [www.recyclethis.info](http://www.recyclethis.info)

#### Warnhinweis

Dies ist ein Produkt der Klasse A. In einer Wohnumgebung kann dieses Produkt Funkstörungen zu verursachen, die möglicherweise vom Benutzer durch geeignete Maßnahmen zu beseitigen sind.

#### Sicherheitshinweise



#### Warnung

#### Gesetze und Vorschriften

Das Gerät muss in Übereinstimmung mit lokalen Gesetzen, Vorschriften zur elektrischen Sicherheit und Brandschutzvorschriften verwendet werden.

#### Elektrische Sicherheit

**ACHTUNG:** Um die Feuergefahr zu verringern, ersetzen Sie Sicherungen nur durch Sicherungen des gleichen Typs und der gleichen Leistung.

Dieses Gerät muss mit einer USV installiert werden, um das Risiko eines Neustarts zu vermeiden.

Das Gerät muss an eine geerdete Netzsteckdose angeschlossen werden.

Eine leicht zugängliche Trennvorrichtung mit der entsprechenden Nennleistung muss außerhalb des Geräts integriert werden.

Eine Überstrom-Schutzeinrichtung mit der entsprechenden Nennleistung muss außerhalb des Geräts integriert werden und darf die baulichen technischen Daten nicht

überschreiten.

Ein allpoliger Netzschalter muss in die Elektroinstallation des Gebäudes integriert werden.

#### Batterie

Das Gerät ist nicht für den Einsatz an Orten geeignet, an denen sich wahrscheinlich Kinder aufhalten.

**ACHTUNG:** Bei Austausch der Batterie durch einen falschen Typ besteht Explosionsgefahr.

Unschonbarer Austausch der Batterien durch einen falschen Typ kann eine Schutzvorrichtung umgehen (z. B. bei einigen Lithium-Batterietypen).

Batterien nicht durch Verbrennen, in einem heißen Ofen oder Zerkleinern oder Zerschneiden entsorgen. Das kann zu einer Explosion führen.

Bewahren Sie Batterien nicht in einer Umgebung mit extrem hoher Temperatur auf. Das kann zu einer Explosion oder zum Auslaufen von entflammbarer Flüssigkeit oder Gas führen.

Setzen Sie Batterien keinem extrem niedrigen Luftdruck aus. Das kann zu einer Explosion oder zum Auslaufen von entflammbarer Flüssigkeit oder Gas führen.

Entsorgen Sie verbrauchte Batterien entsprechend der Anleitung.



#### Sicherheitshinweise

#### Elektrische Sicherheit

Achten Sie auf die korrekte Verkabelung der Klemmen nach dem Anschluss an ein Wechselstromnetz.

Das Gerät wurde, falls erforderlich, für den Anschluss an ein IT-Stromverteilungssystem angepasst.

#### Brandschutz

Stellen Sie keine offenen Flammen (wie brennende Kerzen) auf dem Gerät ab.

Die serielle Schnittstelle des Geräts wird nur zur Fehlersuche verwendet.

#### Heiße Oberfläche

**ACHTUNG:** Heiße Teile! Sie können sich bei Berührung der Leiter Verbrennungen zuziehen.



Dieser Aufkleber weist darauf hin, dass der markierte Gegenstand heiß sein kann und nur vorsichtig angefasst werden darf.

Warten Sie nach dem Ausschalten eine halbe Stunde, bevor Sie Teile anfassen.

Ein Gerät mit diesem Aufkleber ist für die Installation an Orten mit beschränktem Zugang vorgesehen. Zugang dürfen nur Wartungspersonal oder Benutzer erhalten, die über die Gründe für die Zugangsbeschränkungen und über die zu treffenden Vorsichtsmaßnahmen informiert wurden.

#### Installation

Installieren Sie das Gerät gemäß den Anweisungen in diesem Handbuch.

Stellen Sie sicher, dass ausreichend Platz für die Installation des Geräts und des Zubehörs vorhanden ist.

Stellen Sie sicher, dass die Wand stark genug ist, um mindestens das achtfache Gewicht von Kamera und Halterung tragen zu können.

Stellen Sie sicher, dass die Stromversorgung unterbrochen wurde, bevor Sie das Gerät verkabeln, installieren oder demontieren.

#### Transportwesen

Bewahren Sie das Gerät beim Transport in der ursprünglichen oder einer vergleichbaren Verpackung auf. Lassen Sie das Produkt nicht fallen und vermeiden Sie heftige Stöße.

#### Spannungsversorgung

Die Stromquelle muss die Anforderungen an eine Stromquelle mit begrenzter Leistung oder PS2 gemäß der Norm IEC 60950-1 oder IEC 62368-1 erfüllen.

Die Angaben zur standardmäßigen Stromversorgung finden Sie auf dem Geräteetikett. Achten Sie darauf, dass die Stromversorgung mit der Ihres Geräts übereinstimmt.

Verwenden Sie ein von qualifizierten Herstellern mitgeliefertes Netzteil. Es wird empfohlen, für jedes Gerät ein unabhängiges Netzteil vorzusehen, da eine Überlastung



des netzteils zu einer Überhitzung oder Brandgefahr führen kann.

## Systemsicherheit

Bitte nehmen Sie zur Kenntnis, dass Sie die Verantwortung dafür tragen, alle Passwörter und andere Sicherheitseinstellungen für das Gerät zu konfigurieren und Ihren Benutzernamen und Ihr Passwort aufzubewahren.

## Wartung

Falls das Produkt nicht einwandfrei funktionieren sollte, wenden Sie sich an Ihren Händler oder den nächstgelegenen Kundendienst. Wir übernehmen keine Haftung für Probleme, die durch nicht Reparatur- oder Instandhaltungsarbeiten von nicht autorisierten Dritten verursacht werden.

Einige Gerätekomponenten (z. B. Elektrolytkondensator) müssen regelmäßig ausgetauscht werden. Die durchschnittliche Lebensdauer variiert, weshalb eine regelmäßige Prüfung empfohlen wird. Einzelheiten erfahren Sie von Ihrem Händler.

## Reinigung

Bitte verwenden Sie ein weiches und trockenes Tuch zur Reinigung der Innen- und Außenflächen. Verwenden Sie keine alkalischen Reinigungsmittel.

## Einsatzumgebung

Achten Sie bei Verwendung eines Lasergeräts darauf, dass das Objektiv des Geräts nicht dem Laserstrahl ausgesetzt wird. Andernfalls könnte es durchbrennen.

Richten Sie das Objektiv nicht auf die Sonne oder eine andere helle Lichtquelle.

Zur Vermeidung eines Hitzestaus sollte in der Betriebsumgebung eine gute Lüftung gewährleistet sein.

Setzen Sie das Gerät NICHT extrem heißen, kalten, staubigen, korrosiven, salzhaltigen, alkalischen oder feuchten Umgebungen aus. Für Temperatur- und Feuchtigkeitsanforderungen siehe Gerätespezifikation.

Setzen Sie das Gerät KEINER hohen elektromagnetischen Strahlung aus.

## Beleuchtung

Stellen Sie sicher, dass sich keine reflektierende Oberfläche zu nahe am Kameraobjektiv befindet. Das IR-Licht der Kamera kann in das Objektiv reflektiert werden.

Es wird möglicherweise gefährliche optische Strahlung von diesem Produkt emittiert. Schauen Sie während des Betriebs NICHT in die Lichtquelle. Das kann schädlich für die Augen sein.

Wenn keine geeignete Abschirmung oder kein Augenschutz vorhanden ist, schalten Sie das Licht nur in einem sicheren Abstand oder in dem Bereich ein, der bei der Installation oder Wartung des Geräts nicht direkt dem Licht ausgesetzt ist.

## Notruf

Sollten sich Rauch, Gerüche oder Geräusche in dem Gerät entwickeln, so schalten Sie es unverzüglich aus und ziehen Sie den Netzstecker; wenden Sie sich dann an den Kundendienst.

## Zeitsynchronisation

Stellen Sie die Gerätezeit beim erstmaligen Gebrauch manuell ein, wenn die lokale Zeit nicht mit der des Netzwerks synchronisiert ist. Rufen Sie das Gerät über den Webbrowser/die Client-Software auf und navigieren Sie zur Oberfläche für Zeiteinstellungen.

necesario.

8. Tarjeta microSD

9. Conexión a tierra

10. Eliminación

11. Se vende por separado

12. Opciones posibles

## Apariencia (Página 2 - B)

## Accesorios y puertos (Página 4 - C)

① Botón de reinicio: Pulse este botón durante unos 10 s durante el encendido o reinicio de la cámara para restaurar la configuración predeterminada de fábrica, incluyendo el nombre de usuario, contraseña, dirección IP, n.º de puerto, etc.

② Ranura para tarjetas de memoria

③ Conexión de red

④ Conexión de alimentación

⑤ Puerto de audio

⑥ RS-485 e interfaz de alimentación

⑦ Interfaz de alarma

⑧ Tierra

## Instalación de la cámara (Página 7 - D)

## Salida de alarma (Página 14 - E)

① Salida de relé

② Carga de CC

③ Alimentación eléctrica

④ Relé JQC-3FG

## Medidas de protección para la instalación en exteriores (Página 14 - F1)

## Activar y acceder a la cámara de red (Página 14 - F2)

©2023 Hangzhou Hikvision Digital Technology Co., Ltd. Todos los derechos reservados.

## Sobre este manual

Este manual incluye las instrucciones de utilización y gestión del producto. Las figuras, gráficos, imágenes y cualquier otra información que encontrará en lo sucesivo tienen únicamente fines descriptivos y aclaratorios. La información incluida en el manual está sujeta a cambios, sin aviso previo, debido a las actualizaciones de software u otros motivos.

Visite el sitio web de Hikvision

—<https://www.hikvision.com/>— para acceder a la última versión de este manual.

Utilice este manual con la guía y asistencia de profesionales capacitados en el soporte del producto.

## Marcas registradas

**HIKVISION** y otras marcas comerciales y logotipos de Hikvision son propiedad de Hikvision en diferentes jurisdicciones.


Las demás marcas comerciales y logotipos mencionados son propiedad de sus respectivos dueños.

## DESCARGO DE RESPONSABILIDAD

EN LA MEDIDA MÁXIMA PERMITIDA POR LAS LEYES APLICABLES, ESTE MANUAL Y EL PRODUCTO DESCRITO —INCLUIDOS SU HARDWARE, SOFTWARE Y FIRMWARE— SE SUMINISTRAN «TAL CUAL» Y «CON TODOS SU FALLOS Y ERRORES». HIKVISION NO OFRECE GARANTÍAS, EXPLÍCITAS O IMPLÍCITAS, INCLUIDAS, A MODO ENUNCIATIVO, COMERCIABILIDAD, CALIDAD SATISFACTORIA O IDONEIDAD PARA UN PROPÓSITO EN PARTICULAR. EL USO QUE HAGA DEL PRODUCTO CORRE BAJO SU ÚNICO RIESGO. EN NINGÚN CASO, HIKVISION PODRÁ CONSIDERARSE RESPONSABLE ANTE USTED DE NINGÚN DAÑO ESPECIAL, CONSECUENTE, INCIDENTAL O INDIRECTO, INCLUYENDO, ENTRE OTROS, DAÑOS POR PÉRDIDAS DE BENEFICIOS COMERCIALES, INTERRUPCIÓN DE LA ACTIVIDAD COMERCIAL, PÉRDIDA DE DATOS, CORRUPTIÓN DE LOS SISTEMAS O PÉRDIDA DE DOCUMENTACIÓN, YA SEA POR INCUMPLIMIENTO DEL CONTRATO, AGRAVIO (INCLUYENDO NEGLIGENCIA), RESPONSABILIDAD DEL PRODUCTO O EN RELACIÓN CON EL USO DEL PRODUCTO, INCLUSO CUANDO HIKVISION HAYA RECIBIDO UNA NOTIFICACIÓN DE LA POSIBILIDAD DE DICHOS DAÑOS O PÉRDIDAS.

USTED RECONOCE QUE LA NATURALEZA DE INTERNET IMPLICA RIESGOS DE SEGURIDAD INHERENTES Y HIKVISION

## Español



La apariencia del producto es meramente referencial y puede variar a la del producto real.

## Símbolos y marcas (Página 1 - A)

1. Aviso
2. Advertencia
3. Prohibidas
4. Correcto
5. Incorrecto
6. Pase la página al paso A y continúe.
7. Accesorio que pudiera no estar incluido. /Cantidad variable del accesorio. /Omita este paso si no fuese



NO TENDRÁ NINGUNA RESPONSABILIDAD POR EL FUNCIONAMIENTO ANORMAL, FILTRACIONES DE PRIVACIDAD U OTROS DAÑOS RESULTANTES DE ATAQUES CIBERNÉTICOS, ATAQUES DE HACKERS, INFECCIONES DE VIRUS U OTROS RIESGOS DE SEGURIDAD DE INTERNET; SIN EMBARGO, HIKVISION PROPORCIONARÁ APOYO TÉCNICO OPORTUNO DE SER NECESARIO.

USTED ACEPTA USAR ESTE PRODUCTO DE CONFORMIDAD CON TODAS LAS LEYES APLICABLES Y SOLO USTED ES EL ÚNICO RESPONSABLE DE ASEGURAR QUE EL USO CUMPLA CON DICHAS LEYES. EN ESPECIAL, USTED ES RESPONSABLE DE USAR ESTE PRODUCTO DE FORMA QUE NO INFRINJA LOS DERECHOS DE TERCEROS, INCLUYENDO, DE MANERA ENUNCIATIVA MAS NO LIMITATIVA, DERECHOS DE PUBLICIDAD, DERECHOS DE PROPIEDAD INTELECTUAL, DERECHOS RELATIVOS A LA PROTECCIÓN DE DATOS Y OTROS DERECHOS RELATIVOS A LA PRIVACIDAD. NO UTILIZARÁ ESTE PRODUCTO PARA NINGÚN USO FINAL PROHIBIDO, INCLUYENDO EL DESARROLLO O LA PRODUCCIÓN DE ARMAS DE DESTRUCCIÓN MASIVA, EL DESARROLLO O PRODUCCIÓN DE ARMAS QUÍMICAS O BIOLÓGICAS, NINGUNA ACTIVIDAD EN EL CONTEXTO RELACIONADO CON ALGÚN EXPLOSIVO NUCLEAR O EL CICLO DE COMBUSTIBLE NUCLEAR INSEGURO O EN APOYO DE ABUSOS DE LOS DERECHOS HUMANOS. EN CASO DE HABER CONFLICTO ENTRE ESTE MANUAL Y LA LEGISLACIÓN VIGENTE, ESTA ÚLTIMA PREVALECE.

#### Información normativa

**Estas cláusulas solo se aplican a los productos que lleven la marca o la información correspondiente.**

#### Declaración de conformidad de la UE



Este producto y, cuando corresponda, también los accesorios suministrados tienen la marca "CE" y por tanto cumplen con las normas europeas

armonizadas aplicables enumeradas en la directiva de compatibilidad electromagnética 2014/30/UE, la directiva de baja tensión 2014/35/UE y la directiva de restricción del uso de sustancias peligrosas 2011/65/UE.



2012/19/UE (directiva RAEE, residuos de aparatos eléctricos y electromagnéticos): En la Unión Europea, los productos marcados con este símbolo no pueden ser desechados en el sistema de basura municipal sin recogida selectiva. Para un reciclaje

adecuado, entregue este producto en el lugar de compra del equipo nuevo equivalente o deshágase de él en el punto de recogida designado a tal efecto. Para obtener más información, consulte: [www.recyclethis.info](http://www.recyclethis.info)



2006/66/CE y su enmienda 2013/56/UE (directiva sobre baterías): Este producto lleva una batería que no puede ser desechada en el sistema municipal de basuras sin recogida selectiva dentro de la Unión Europea. Consulte la documentación del producto para ver la información específica de la batería. La batería lleva marcado este símbolo, que incluye unas letras indicando si contiene cadmio (Cd), plomo (Pb), o mercurio (Hg). Para un reciclaje adecuado, entregue la batería a su vendedor o llévela al punto de recogida de basuras designado a tal efecto. Para más información visite: [www.recyclethis.info](http://www.recyclethis.info).

#### Advertencia

Este es un producto de clase A. En un entorno doméstico este producto puede ocasionar interferencias radio, en cuyo caso es posible que se le pida al usuario que adopte las medidas adecuadas.

#### Instrucciones de seguridad



#### Advertencias

##### Leyes y normativas

El dispositivo debe ser utilizado cumpliendo con la legislación local y las normativas de seguridad eléctrica y prevención de incendios.

##### Seguridad eléctrica

**PRECAUCIÓN:** Para reducir el riesgo de incendio, reemplace el fusible por otro del mismo tipo y clasificación.

Este equipo tiene que instalarse con un sistema de alimentación ininterrumpida (SAI) incorporado para evitar el riesgo de reinicio.

El equipo debe estar conectado a una toma de corriente con conexión a tierra.

Externo al equipo, se incorporará un dispositivo de desconexión de fácil acceso y con la clasificación adecuada.

Externo al equipo, se incorporará un dispositivo de protección contra sobrintensidades de corriente con la clasificación adecuada y que no exceda las especificaciones de la edificación.

Es necesario instalar un interruptor de corte omnipolar en la instalación eléctrica del edificio.

#### Batería

Este equipo no es adecuado para utilizarlo en lugares donde pueda haber niños.

**PRECAUCIÓN:** Riesgo de explosión si se reemplaza la batería por otra de tipo incorrecto.

Una sustitución inadecuada de la batería por otra de tipo incorrecto podría inhabilitar alguna medida de protección (por ejemplo, en el caso de abonos baterías de litio).

No arroje la batería al fuego ni la meta en un horno caliente, ni intente aplastar o cortar mecánicamente la batería, ya que podría explotar.

No deje la batería en lugares con temperaturas extremadamente altas, ya que podría explotar o tener fugas de líquido electrolítico o gas inflamable.

No permita que la batería quede expuesta a una presión de aire extremadamente baja, ya que podría explotar o tener fugas de líquido electrolítico o gas inflamable.

Deshágase de las baterías usadas conforme a las instrucciones.



#### Precauciones

##### Seguridad eléctrica

Asegúrese de que el cableado de los terminales para la conexión a una fuente de alimentación de CA sea correcto.

El equipo ha sido diseñado, cuando es necesario, con modificaciones para conectarlo a un sistema de distribución de alimentación eléctrica para equipos informáticos.

##### Prevención de incendios

No coloque llamas abiertas, como velas encendidas, sobre el equipo.

El puerto serie del equipo se utiliza únicamente con fines de depuración.

##### Superficie caliente

**PRECAUCIÓN:** ¡Elementos calientes! Los dedos se pueden quemar al manipular esas partes.



Esta pegatina indica que el elemento señalizado puede estar caliente, por lo que hay que prestar atención antes de tocarlo.

Esperre media hora después de apagar el equipo para tocar las partes.

Los dispositivos con esta etiqueta han sido diseñados para instalarlos en una ubicación de acceso restringido. El acceso solo está permitido al personal de servicio o a los usuarios conscientes de las razones por las que la ubicación está restringida y que conocen las precauciones que se deben tener en cuenta.

##### Instalación

Instale el equipo de acuerdo con las instrucciones de este manual.

Asegúrese de que hay suficiente espacio para instalar el dispositivo y los accesorios.

Asegúrese de que la pared sea lo suficientemente resistente para soportar 8 veces el peso de la cámara y el soporte de montaje.

Asegúrese de que se ha cortado la alimentación eléctrica antes de conectar, instalar o desmontar el dispositivo.

##### Transporte

Guarde el dispositivo en su paquete original o en uno similar cuando lo transporte.

No deje caer el producto ni lo someta a impactos físicos.

##### Fuente de alimentación

La fuente de alimentación debe cumplir con los requisitos de fuente de alimentación limitada o PS2 conforme a las normas IEC 60950-1 o IEC 62368-1.

Consulte la etiqueta del dispositivo para conocer la fuente de alimentación normalizada. Compruebe que la fuente de alimentación sea compatible con el dispositivo.

Utilice un adaptador de corriente provisto por un fabricante autorizado. Se recomienda utilizar un adaptador eléctrico independiente para cada dispositivo, ya que una sobrecarga del adaptador puede entrañar un riesgo de sobrecalentamiento o incendio.

### Seguridad del sistema

Recuerde que es su responsabilidad instalar las contraseñas y las demás configuraciones de seguridad del dispositivo. Proteja su nombre de usuario y contraseña.

### Mantenimiento

Si el producto no funciona correctamente, por favor, póngase en contacto con su distribuidor o con el centro de servicio técnico más próximo. No nos haremos responsables de los problemas derivados de una reparación o mantenimiento no autorizados.

Algunos componentes del dispositivo (p. ej.: el condensador electrolítico) necesita una sustitución periódica. La vida útil promedio puede variar, por lo que se recomienda una revisión periódica. Contacte con su vendedor para más detalles.

### Limpieza

Utilice un paño suave y seco para limpiar las superficies interiores y exteriores. No utilice detergentes alcalinos.

### Entorno de uso

Cuando utilice equipos láser, asegúrese de que el objetivo del dispositivo no quede expuesto al rayo láser ya que podría quemarse.

No oriente la lente hacia el sol ni a otras luces brillantes.

Una buena ventilación es necesaria a fin de evitar el sobrecalentamiento y poder garantizar un apropiado entorno de funcionamiento.

NO exponga el dispositivo a entornos excesivamente cálidos, fríos, con polvo, corrosivos, salinos-alcálicos o húmedos.

Para los requisitos de temperatura y humedad, las especificaciones del dispositivo.

NO exponga el dispositivo a radiaciones electromagnéticas intensas.

### Iluminador

Asegúrese de que ninguna superficie reflectante esté demasiado cerca de la lente de la cámara. La luz IR de la cámara puede reflejarse y regresar a la lente originando la reflexión.

Este equipo puede emitir radiaciones ópticas peligrosas. NO mirar directamente a la fuente de luz en funcionamiento. Podría dañar sus ojos.

Si no cuenta con equipo de apantallamiento o de protección para los ojos apropiado, encienda la luz solo a una distancia segura o en un área que no esté expuesta directamente a la luz al instalar el equipo o al realizar tareas de mantenimiento en él.


### Emergencia

Si hay presencia de humo, olores o ruidos procedentes del dispositivo, apague la alimentación inmediatamente, desenchufe el cable de alimentación y contacte con el servicio técnico.

### Sincronización de hora

En el caso de que la hora local no esté sincronizada con la hora de la red, ajuste la hora manualmente la primera vez que acceda. Acceda al dispositivo usando el navegador web/software cliente y entre en la interfaz de ajuste de la hora.

## Italiano

 Leggere il manuale prima di utilizzare il dispositivo. L'immagine del prodotto serve solo come riferimento e potrebbe differire dal prodotto effettivo.

### Simboli e segni (Pagina 1 – A)

1. Avviso
2. Avvertenza
3. Non consentito
4. Corretto

5. Non corretto
6. Tornare al passaggio A e continuare.
7. L'accessorio potrebbe non essere incluso. /Quantità dell'accessorio variabile. /Saltare questo passaggio se non necessario.
8. Scheda MicroSD
9. Massa
10. Smaltimento
11. Acquistabile separatamente
12. Opzioni disponibili

### Descrizione (Pagina 2 - B)

### Accessorio e interfaccia (Pagina 4 - C)

① Tasto reset: premere il tasto reset per circa 10 secondi quando la telecamera è in accensione o in riavvio per ripristinare le impostazioni predefinite, tra cui nome utente, password, indirizzo IP, n. porta, ecc.

- ② Slot per scheda di memoria
- ③ Interfaccia di rete
- ④ Interfaccia di alimentazione
- ⑤ Interfaccia audio
- ⑥ Interfaccia RS-485 e di alimentazione
- ⑦ Interfaccia allarme
- ⑧ Massa

### Installazione della telecamera (Pagina 7 - D)

### Uscita di allarme (Pagina 14 – E)

- ① Uscita del relè
- ② Carico CC
- ③ Alimentazione
- ④ Relè JQC-3FG

### Misure di protezione per l'installazione in esterni (Pagina 14 – F1)

### Attivazione e accesso alla telecamera di rete (Pagina 14 – F2)

©2023 Hangzhou Hikvision Digital Technology Co., Ltd. Tutti i diritti riservati.

### Informazioni sul presente Manuale

Il presente Manuale contiene le istruzioni per l'uso e la gestione del prodotto. Le illustrazioni, i grafici e tutte le altre informazioni che seguono hanno solo scopi illustrativi ed esplicativi. Le informazioni contenute nel Manuale sono soggette a modifiche senza preavviso in seguito ad aggiornamenti del firmware o per altri motivi. Scaricare la versione più recente del presente Manuale dal sito web di Hikvision (<https://www.hikvision.com/>).

Utilizzare il presente Manuale con la supervisione e l'assistenza di personale qualificato nel supporto del prodotto.

### Marchi commerciali

**HIKVISION** e gli altri marchi registrati e loghi di Hikvision sono di proprietà di Hikvision nelle varie giurisdizioni. Gli altri marchi registrati e loghi menzionati appartengono ai rispettivi proprietari.

### ESCLUSIONE DI RESPONSABILITÀ

NELLA MISURA MASSIMA CONSENTITA DALLA LEGGE VIGENTE, QUESTO MANUALE E IL PRODOTTO DESCRITTO, CON IL SUO HARDWARE, SOFTWARE E FIRMWARE, SONO FORNITI "COSÌ COME SONO" E "CON TUTTI I DIFETTI E GLI ERRORI". HIKVISION NON RILASCIAMO ALCUNA GARANZIA, NÉ ESPRESSA NÉ IMPLICITA COME, SOLO A TITOLO DI ESEMPIO, GARANZIE DI COMMERCIALIZZABILITÀ, QUALITÀ SODDISFACENTE O IDONEITÀ PER UN USO SPECIFICO. L'UTENTE UTILIZZA IL PRODOTTO A PROPRIO RISCHIO. HIKVISION DECLINA QUALSIASI RESPONSABILITÀ VERSO L'UTENTE IN RELAZIONE A DANNI SPECIALI, CONSEGUENZIALI E INCIDENTALI, COMPRESI, TRA GLI ALTRI, I DANNI DERIVANTI DA MANCATO PROFITTO, INTERRUZIONE DELL'ATTIVITÀ O PERDITA DI DATI, DANNEGGIAMENTO DI SISTEMI O PERDITA DI DOCUMENTAZIONE, DERIVANTI DA INADEMPIENZA CONTRATTUALE, ILLECITO (COMPRESA LA NEGLIGENZA), RESPONSABILITÀ PER DANNI AI PRODOTTI O ALTRIMENTI IN RELAZIONE ALL'USO DEL PRODOTTO, ANCHE QUALORA HIKVISION SIA STATA INFORMATA DELLA POSSIBILITÀ DI TALI DANNI O PERDITE.

L'UTENTE RICONOSCE CHE LA NATURA DI INTERNET PREVEDE RISCHI DI SICUREZZA INTRINSECI E CHE HIKVISION DECLINA QUALSIASI RESPONSABILITÀ IN RELAZIONE A FUNZIONAMENTI ANOMALI, VIOLAZIONE DELLA RISERVATEZZA O ALTRI DANNI RISULTANTI DA ATTACCHI INFORMATICI, INFEZIONE DA VIRUS O ALTRI RISCHI LEGATI ALLA SICUREZZA SU INTERNET; TUTTAVIA, HIKVISION FORNIRÀ TEMPESTIVO SUPPORTO TECNICO, SE NECESSARIO. L'UTENTE ACCETTA DI UTILIZZARE IL PRODOTTO IN CONFORMITÀ A TUTTE LE LEGGI VIGENTI E DI ESSERE IL SOLO RESPONSABILE DI TALE UTILIZZO CONFORME. IN PARTICOLARE, L'UTENTE È RESPONSABILE DEL FATTO CHE L'UTILIZZO DEL PRODOTTO NON VIOLI DIRITTI DI TERZI COME, SOLO A TITOLO DI ESEMPIO, DIRITTI DI PUBBLICITÀ, DIRITTI DI PROPRIETÀ INTELLETTUALE O DIRITTI RELATIVI ALLA PROTEZIONE DEI DATI E ALTRI DIRITTI RIGUARDANTI LA PRIVACY. NON È CONSENTITO UTILIZZARE QUESTO PRODOTTO PER SCOPI PROIBITI, COME, TRA GLI ALTRI, LA PRODUZIONE DI ARMI DI DISTRUZIONE DI MASSA, LO SVILUPPO O LA PRODUZIONE DI ARMI CHIMICHE O BIOLOGICHE, QUALSIASI ATTIVITÀ SVOLTA IN CONTESTI CORRELATI A ESPLOSIONI NUCLEARI O COMBUSTIBILI NUCLEARI NON SICURI O ATTIVITÀ CHE CAUSINO VIOLAZIONI DEI DIRITTI UMANI. IN CASO DI CONFLITTO TRA IL PRESENTE MANUALE E LA LEGGE VIGENTE, PREVARRÀ QUEST'ULTIMA.

#### Informazioni sulle norme

**Queste clausole si applicano solo ai prodotti recanti il marchio o le informazioni corrispondenti.**

#### Dichiarazione di conformità UE



Questo prodotto e gli eventuali accessori in dotazione sono contrassegnati con il marchio "CE" e sono quindi conformi alle norme europee armonizzate vigenti di cui alla Direttiva EMC 2014/30/UE, alla Direttiva LVD 2014/35/UE, alla Direttiva RoHS 2011/65/UE.



2012/19/UE (Direttiva RAEE): i prodotti contrassegnati con il presente simbolo non possono essere smaltiti come rifiuti domestici indifferenziati nell'Unione europea. Per lo smaltimento corretto, restituire il prodotto al rivenditore in occasione dell'acquisto di un nuovo dispositivo o smaltirlo nei punti di raccolta autorizzati. Per ulteriori informazioni, consultare il sito: [www.recyclethis.info](http://www.recyclethis.info)



Direttiva 2006/66/CE, modificata dalla direttiva 2013/56/UE (direttiva sulle batterie): questo prodotto contiene una batteria e non è possibile smaltirlo con i rifiuti domestici indifferenziati nell'Unione europea. Consultare la documentazione del prodotto per le informazioni specifiche sulla batteria. La batteria è contrassegnata con il presente simbolo, che potrebbe includere le sigle di cadmio (Cd), piombo (Pb) o mercurio (Hg). Per lo smaltimento corretto, restituire la batteria al rivenditore locale o smaltirla nei punti di raccolta autorizzati. Ulteriori informazioni sono disponibili sul sito: [www.recyclethis.info](http://www.recyclethis.info).

#### Avvertenza

Il presente prodotto è un dispositivo di Classe A. Il prodotto può causare interferenze radio; in tal caso l'utente dovrà adottare contromisure adeguate.

#### Istruzioni per la sicurezza



#### Avvertenze

##### Leggi e regolamenti

Il dispositivo deve essere utilizzato rispettando le leggi locali, le norme sulla sicurezza elettrica e le norme sulla prevenzione degli incendi.

##### Sicurezza elettrica

**ATTENZIONE:** Per ridurre il rischio di incendi, sostituire i fusibili solo con altri dello stesso tipo e dello stesso valore nominale.

L'attrezzatura dovrà essere installata, integrandovi un gruppo di continuità per evitare che il sistema possa riavviarsi.

L'attrezzatura deve essere collegata a una presa di corrente

dotata di messa a terra.

All'attrezzatura deve essere collegato un dispositivo di disconnessione esterno facilmente accessibile, con capacità adeguata.

All'attrezzatura deve essere collegato un dispositivo esterno di protezione contro le sovracorrenti con capacità adeguata; deve rientrare nelle specifiche dell'edificio.

L'impianto elettrico dell'edificio deve essere dotato di interruttori onnipolare.

##### Batteria

Non utilizzare il dispositivo in ambienti in cui possono essere presenti bambini.

**ATTENZIONE:** Esiste il rischio di esplosione se la batteria viene sostituita con una di tipo non corretto.

La sostituzione della batteria con una di tipo non idoneo può impedire il corretto funzionamento dei sistemi di sicurezza (ad esempio con alcuni tipi di batterie al litio).

Non gettare le batterie nel fuoco o in un forno caldo ed evitare di schiacciarle o tagliarle, per prevenire il rischio di esplosioni.

Le batterie esposte a temperature ambientali eccessive possono esplodere o perdere liquidi o gas infiammabili.

Le batterie sottoposte a una pressione atmosferica estremamente bassa possono esplodere o perdere liquidi o gas infiammabili.

Smaltire le batterie usate seguendo le istruzioni.



#### Precauzioni

##### Sicurezza elettrica

Verificare il corretto cablaggio dei terminali prima di collegare l'alimentazione CA.

L'attrezzatura è stata progettata per poter essere modificata, in caso di necessità, per il collegamento a un sistema di alimentazione elettrica IT.

##### Prevenzione degli incendi

Non collocare sull'attrezzatura sorgenti di fiamme libere, come candele accese.

La porta seriale del dispositivo serve solo per attività di debugging.

##### Superficie calda

**ATTENZIONE:** elementi caldi! Rischio di ustioni alle dita maneggiando questi elementi.



Questo adesivo indica che l'elemento contrassegnato può essere caldo e non deve essere toccato senza prestare la dovuta attenzione. Attendere mezz'ora

dopo lo spegnimento dell'attrezzatura prima di toccare questi elementi.

I dispositivi con questo adesivo sono destinati all'installazione in ambienti ad accesso limitato. L'accesso è consentito solo a personale di servizio o utenti istruiti sui motivi delle limitazioni applicate all'ambiente e sulle eventuali precauzioni da adottare.

##### Installazione

Installare l'attrezzatura seguendo le istruzioni del presente manuale.

Controllare che lo spazio sia sufficiente per installare il dispositivo e gli accessori.

Verificare che la parete sia abbastanza resistente da sopportare almeno 8 volte il peso della telecamera e del supporto.

Controllare che l'alimentazione sia interrotta, prima di cablare, installare o disassemblare il dispositivo.

##### Trasporto

Per trasportare il dispositivo, riporlo nella confezione originale o in una analoga.

Non lasciar cadere il prodotto e non sottoporlo a impatti.

##### Alimentazione

La fonte di alimentazione deve soddisfare i requisiti previsti per le fonti di alimentazione limitate o PS2 in conformità alle norme IEC 60950-1 o IEC 62368-1.

Consultare l'etichetta sul dispositivo per quanto riguarda l'alimentazione standard. Verificare che l'alimentazione corrisponda a quella del dispositivo.

Utilizzare un alimentatore fornito da produttori qualificati. Si consiglia di utilizzare un alimentatore indipendente per ciascun dispositivo in quanto un sovraccarico dell'adattatore potrebbe provocare surriscaldamenti o rischi di incendio.

### **Sicurezza del sistema**

L'utente ha la responsabilità di configurare tutte le password e le altre impostazioni di sicurezza relative al dispositivo e di conservare nome utente e password in modo sicuro.

### **Manutenzione**

Se il prodotto non funziona correttamente, rivolgersi al rivenditore o al centro di assistenza più vicino. Decliniamo qualsiasi responsabilità in relazione a problemi causati da interventi di riparazione o manutenzione non autorizzati. Alcuni componenti (ad esempio, il condensatore elettrolitico) devono essere sostituiti periodicamente. La durata media di questi elementi è variabile, quindi devono essere controllati regolarmente. Contattare il rivenditore per i dettagli.

### **Pulizia**

Utilizzare un panno morbido e asciutto per pulire le superfici interne ed esterne. Non utilizzare detergenti alcalini.

### **Ambiente di utilizzo**

Quando si utilizzano apparecchiature laser, non esporre l'obiettivo del dispositivo al raggio laser, che potrebbe bruciarlo.

Non orientare l'obiettivo verso il sole o altre luci intense. Per evitare l'accumulo di calore è necessaria una buona ventilazione in modo da garantire un ambiente operativo adeguato.

NON esporre il dispositivo ad ambienti estremamente caldi, freddi, polverosi, corrosivi, salino-alcalini o umidi. Per i parametri di temperatura e umidità, consultare le indicazioni specifiche sul dispositivo.

NON esporre il dispositivo a radiazioni elettromagnetiche intense.

### **Elemento illuminante**

Controllare che non ci siano superfici riflettenti nelle vicinanze dell'obiettivo della telecamera. La luce a infrarossi della telecamera può riflettersi e tornare indietro nell'obiettivo provocando riflessi.

Il prodotto può emettere radiazioni ottiche pericolose. NON fissare la sorgente luminosa mentre è accesa. Può essere dannosa per gli occhi.

Se non è disponibile una schermatura adeguata o una protezione per gli occhi, accendere la luce solo a distanza di sicurezza o in un'area non direttamente esposta alla luce durante l'installazione o la manutenzione del dispositivo.

### **Emergenza**

Se il dispositivo emette fumo, odori o rumori, spegnerlo immediatamente e scollegare il cavo di alimentazione, quindi rivolgersi a un centro di assistenza.

### **Sincronizzazione dell'ora**

Impostare l'ora del dispositivo manualmente per il primo accesso se l'ora locale non è sincronizzata con quella della rete. Accedere al dispositivo tramite un browser o il software client e passare all'interfaccia delle impostazioni dell'ora.

## Português

 Leia este manual antes de utilizar o produto.

O aspeto do produto serve apenas de referência e pode ser diferente do produto real.

### **Símbolos e marcações (Página 1 – A)**

1. Aviso
2. Advertência
3. Proibido
4. Correto
5. Incorreto
6. Virar para o passo A e continuar.
7. Acessório não incluído necessariamente. /Quantidade variável de acessórios. /Ignore este passo se não for necessário.
8. Cartão MicroSD
9. Ligação à terra
10. Eliminação
11. Compre separadamente

### **12. Opções possíveis**

#### **Aspeto (Página 2 - B)**

#### **Acessórios e Interface (Página 4 - C)**

- ① Botão Repor: prima o botão de reposição durante cerca de 10 s, quando a câmara está a ligar ou a reiniciar, para repor as predefinições, incluindo o nome de utilizador, a palavra-passe, o endereço IP, o número de porta, etc.
- ② Ranhura para cartão de memória
- ③ Interface de rede
- ④ Interface de alimentação
- ⑤ Interface de áudio
- ⑥ RS-485 e interface de alimentação
- ⑦ Interface de alarme
- ⑧ GND

#### **Instalação da câmara (Página 7 – D)**

#### **Saída de alarme (Página 14 – E)**

- ① Saída de relé
- ② Carga CC
- ③ Alimentação elétrica
- ④ Relé JQC-3FG

#### **Medidas de proteção para a instalação no exterior (Página 14 – F1)**

#### **Ativar e aceder à câmara de rede (Página 14 – F2)**

©2023 Hangzhou Hikvision Digital Technology Co., Ltd. Todos os direitos reservados.

#### **Acerca deste Manual**

O Manual inclui instruções para utilizar e gerir o produto. As fotografias, os gráficos, as imagens e todas as outras informações doravante apresentadas destinam-se apenas a fins de descritivos e informativos. As informações que constam do Manual estão sujeitas a alteração, sem aviso prévio, devido a atualizações de firmware ou a outros motivos. Pode encontrar a versão mais recente deste Manual no website da Hikvision (<https://www.hikvision.com/>).

Utilize este Manual sob orientação e com a assistência de profissionais formados neste Produto.

#### **Marcas comerciais**

**HIKVISION** e outros logótipos e marcas comerciais da Hikvision são propriedade da Hikvision em vários territórios. Outras marcas comerciais e logótipos mencionados são propriedade dos respetivos proprietários.

#### **AVISO LEGAL**

NA MEDIDA MÁXIMA PERMITIDA PELA LEI APLICÁVEL, ESTE MANUAL E O PRODUTO DESCRITO, COM O SEU HARDWARE, SOFTWARE E FIRMWARE, SÃO FORNECIDOS "TAL COMO ESTÃO" E "COM TODAS AS SUAS FALHAS E ERROS". A HIKVISION EXCLUI, DE FORMA EXPLÍCITA OU IMPLÍCITA, GARANTIAS DE, INCLUINDO E SEM LIMITAÇÃO, COMERCIALIZAÇÃO, QUALIDADE DO SERVIÇO OU ADEQUAÇÃO A UMA FINALIDADE ESPECÍFICA. A SUA UTILIZAÇÃO DESTE PRODUTO É FEITA POR SUA CONTA E RISCO. EM NENHUMA CIRCUNSTÂNCIA, A HIKVISION SERÁ RESPONSÁVEL POR SI EM RELAÇÃO A QUAISQUER DANOS ESPECIAIS, CONSEQUENCIAIS, INCIDENTAIS OU INDIRECTOS, INCLUINDO, ENTRE OUTROS, DANOS PELA PERDA DE LUCROS COMERCIAIS, INTERRUPTÃO DA ATIVIDADE, PERDA DE DADOS, CORRUPÇÃO DE SISTEMAS OU PERDA DE DOCUMENTAÇÃO SEJA COM BASE NUMA VIOLAÇÃO DO CONTRATO, ATOS ILÍCITOS (INCLUINDO NEGLIGÊNCIA), RESPONSABILIDADE PELO PRODUTO OU, DE OUTRO MODO, RELACIONADA COM A UTILIZAÇÃO DO PRODUTO, AINDA QUE A HIKVISION TENHA SIDO AVISADA SOBRE A POSSIBILIDADE DE TAIS DANOS OU PERDAS.

O UTILIZADOR RECONHECE QUE A NATUREZA DA INTERNET OFERECE RISCOS DE SEGURANÇA INERENTES E QUE A HIKVISION NÃO SERÁ RESPONSABILIZADA POR UM FUNCIONAMENTO ANORMAL, PERDA DE PRIVACIDADE OU OUTROS DANOS RESULTANTES DE ATAQUES INFORMÁTICOS, ATAQUES DE PIRATARIA, INFECÇÃO POR VÍRUS OU OUTROS RISCOS ASSOCIADOS À SEGURANÇA DA INTERNET. NO ENTANTO, A HIKVISION PRESTARÁ APOIO TÉCNICO ATEMPADO, SE SOLICITADO.

O UTILIZADOR ACEITA UTILIZAR ESTE PRODUTO EM

CONFORMIDADE COM TODAS AS LEIS APLICÁVEIS E SER O ÚNICO RESPONSÁVEL POR GARANTIR QUE A SUA UTILIZAÇÃO É CONFORME À LEI APLICÁVEL.

PARTICULARMENTE, O UTILIZADOR É O RESPONSÁVEL PELA UTILIZAÇÃO DESTES PRODUTOS DE MODO QUE NÃO INFRINJA OS DIREITOS DE TERCEIROS, INCLUINDO, ENTRE OUTROS, OS DIREITOS DE PUBLICIDADE, DIREITOS DE PROPRIEDADE INTELECTUAL OU DE PROTEÇÃO DE DADOS, OU QUAISQUER OUTROS DIREITOS DE PRIVACIDADE. O UTILIZADOR NÃO PODERÁ UTILIZAR ESTE PRODUTO PARA QUAISQUER UTILIZAÇÕES FINAIS PROIBIDAS, INCLUINDO O DESENVOLVIMENTO OU PRODUÇÃO DE ARMAS DE DESTRUÇÃO MACIÇA, DESENVOLVIMENTO OU PRODUÇÃO DE QUÍMICOS OU ARMAS BIOLÓGICAS, QUAISQUER ATIVIDADES DESENVOLVIDAS NO ÂMBITO DE EXPLOSIVOS NUCLEARES OU CICLOS DE COMBUSTÍVEL NUCLEAR INSEGURO OU PARA APOIAR ABUSOS AOS DIREITOS HUMANOS.

NA EVENTUALIDADE DA OCORRÊNCIA DE ALGUM CONFLITO ENTRE ESTE MANUAL E A LEGISLAÇÃO APLICÁVEL, ESTA ÚLTIMA PREVALECE.

### Informações sobre as normas reguladoras

**As presentes cláusulas aplicam-se apenas aos produtos que apresentam a marcação ou informação correspondentes.**

### Declaração de conformidade da UE



Este produto e, se aplicável, os acessórios fornecidos com o mesmo, têm a marcação "CE" e estão, por isso, em conformidade com os padrões europeus aplicáveis, indicados na diretiva CEM 2014/50/UE, na diretiva "Baixa Tensão" 2014/35/UE e na diretiva RSP 2011/65/UE.



2012/19/UE (Diretiva REEE): Os produtos com este símbolo não podem ser eliminados como resíduos urbanos indiferenciados na União Europeia. Para uma reciclagem adequada, devolva este produto ao seu fornecedor local quando adquirir um novo equipamento equivalente ou elimine-o através dos pontos de recolha adequados. Para mais informações, visite: [www.recyclethis.info](http://www.recyclethis.info)



A Diretiva 2013/56/UE, que revoga a Diretiva 2006/66/CE (diretiva relativa a pilhas e acumuladores): Este produto contém uma bateria que não pode ser eliminada como resíduo urbano indiferenciado na União Europeia. Consulte a documentação do produto para obter informações específicas acerca da bateria. A bateria está marcada com este símbolo, que poderá incluir inscrições para indicar a presença de cádmio (Cd), chumbo (Pb), ou mercúrio (Hg). Para reciclar o produto de forma adequada, devolva a bateria ao seu fornecedor ou coloque-a num ponto de recolha apropriado. Para mais informações, consulte: [www.recyclethis.info](http://www.recyclethis.info).

### Advertência

Este é um produto de classe A. Num ambiente doméstico, este produto pode provocar interferências de rádio, caso em que o utilizador pode ser obrigado a adotar as medidas adequadas.

### Instruções de segurança



#### Aviso

#### Legislação e regulamentos

O dispositivo deve ser utilizado em conformidade com as leis, regulamentos de segurança elétrica e regulamentos de prevenção de incêndios locais.

#### Segurança elétrica

**ADVERTÊNCIA:** Para reduzir o risco de incêndio, o fusível deve ser substituído apenas por outro do mesmo tipo e com a mesma potência.

Este equipamento será instalado integrado com UPS (Fonte de Alimentação Ininterrupta) para evitar o risco de reiniciar. O equipamento deve ser ligado a uma tomada da rede elétrica com terra.

Será incorporado externamente ao equipamento um dispositivo com a classificação adequada para o desligar facilmente.

Será incorporado externamente ao equipamento um dispositivo de proteção com a classificação adequada de sobretensão e que respeita as especificações do edifício. A instalação elétrica do edifício deve estar equipada com um interruptor geral.

#### Bateria

Este equipamento não se adequa a utilização em locais onde a presença de crianças seja provável.

**ADVERTÊNCIA:** Existe risco de explosão se a bateria for substituída por outra de tipo incorreto.

A substituição incorreta da bateria por outra de tipo incorreto pode destruir uma proteção (por exemplo, no caso de alguns tipos de bateria de lítio).

Não proceda à eliminação da bateria numa fogueira ou forno quente, ou mediante esmagamento ou corte mecânico da mesma pois tal pode resultar numa explosão.

Não deixe a bateria num ambiente com temperaturas extremamente elevadas pois tal pode resultar numa explosão ou na fuga de líquido inflamável ou gás.

Não sujeite a bateria a pressão de ar extremamente baixa pois tal poderá resultar numa explosão de líquido inflamável ou gás.

Elimine as pilhas usadas de acordo com as instruções.



#### Advertência

#### Segurança elétrica

Certifique-se de que a cablagem dos terminais foi efetuada corretamente para ligação a uma fonte de alimentação CA.

O equipamento foi concebido para ser modificado para ligação a um sistema de distribuição de energia IT.

#### Prevenção de incêndios

Não deverão ser colocadas fontes de chama livre, como velas acesas, sobre o equipamento.

A porta série do equipamento é utilizada apenas para a depuração.

#### Superfície quente

**ADVERTÊNCIA:** Peças quentes! Queimadura dos dedos resultante do manuseamento das peças.



Este autocolante indica que o elemento assinalado pode estar quente, pelo que não lhe deve tocar sem a devida precaução.

Desligue o equipamento, aguarda trinta minutos e só então deverá manusear as peças.

O dispositivo com este autocolante deve ser instalado num local com acesso restrito. Apenas poderão ter acesso a esse dispositivo funcionários e utilizadores que tenham sido instruídos relativamente aos motivos pelos quais essas restrições de localização têm de ser aplicadas e que tenham sido alertados para os cuidados a adotar.

#### Instalação

Instale o equipamento de acordo com as instruções constantes deste manual.

Certifique-se de que existe espaço suficiente para instalar o dispositivo e os acessórios.

Certifique-se de que a parede é suficientemente resistente para suportar, pelo menos, 8 vezes o peso da câmara e do suporte.

Certifique-se de que a alimentação está desligada antes de instalar ou desmontar o dispositivo, assim como antes de ligar cabos ao mesmo.

#### Transporte

Mantenha o dispositivo na embalagem original ou similar, quando o transportar.

Não deixe o produto cair, nem o sujeite a impactos físicos.

#### Alimentação elétrica

A fonte de alimentação deve cumprir com os requisitos da fonte de alimentação limitada ou da PS2 (fonte de alimentação de classe 2) de acordo com a norma IEC 60950-1 ou IEC 62368-1.

Consulte na etiqueta do dispositivo qual a alimentação elétrica padrão. Certifique-se de que a alimentação elétrica disponível coincide com a do dispositivo.

Utilize um adaptador de alimentação fornecido por fabricantes qualificados. Recomenda-se a utilização de um

adaptador de alimentação para cada dispositivo, uma vez que a sobrecarga do adaptador pode causar sobreaquecimento ou levar a risco de incêndio.

## Segurança do sistema

Por favor, tenha em consideração que a configuração das palavras-passe e de outras definições de segurança do dispositivo são da sua responsabilidade, assim como o guardar do seu nome de utilizador e da sua palavra-passe.

## Manutenção

Se o produto não funcionar corretamente, contacte o seu fornecedor ou o seu centro de assistência mais próximo. Não assumimos qualquer responsabilidade por problemas causados por reparações ou manutenções não autorizadas. Alguns componentes do dispositivo (por exemplo, condensador eletrolítico) necessita de substituição regular. A duração média varia, portanto, recomenda-se verificação periódica. Entre em contacto com o respetivo revendedor para obter detalhes.

## Limpeza

Utilize um pano macio e seco para limpar as superfícies interiores e exteriores. Não utilize detergentes alcalinos.

## Ambiente da utilização

Quando estiver a utilizar qualquer equipamento a laser, verifique se a lente do dispositivo não se encontra exposta ao feixe de laser, caso contrário pode queimar.

Não direcione a lente para o sol nem para qualquer outra luz brilhante.

Para evitar acumulação de calor, é necessária uma boa ventilação para um bom ambiente de funcionamento.

NÃO exponha o dispositivo a ambientes extremamente quentes, frios, poeirentes, corrosivos, alcalino salinos ou húmidos. Para ficar a conhecer os requisitos relativos à temperatura e à humidade, consulte as especificações do dispositivo.

NÃO exponha o dispositivo a radiação eletromagnética elevada.

## Iluminador

Certifique-se de que nenhuma superfície refletora está muito próxima da lente da câmara. A luz de IV da câmara pode ser refletida na lente, provocando reflexo.

Este produto emite radiação ótica potencialmente perigosa. NÃO fixe o olhar na fonte de luz em funcionamento. Pode ser prejudicial aos olhos.

Se não estiver disponível proteção ocular ou um isolamento adequado, ligue a luz apenas a uma distância segura ou na área que não esteja exposta diretamente à luz quando estiver a instalar ou a fazer a manutenção do dispositivo.

## Emergência

Caso o dispositivo emita fumo, odores ou ruídos, desligue a alimentação elétrica de imediato, retire o cabo de alimentação da tomada e contacte o centro de assistência.

## Sincronização da hora

Se a hora local não estiver sincronizada com a da rede, configure a hora do dispositivo manualmente quando o utilizar pela primeira vez. Aceda ao dispositivo através do browser/software do cliente e visite a interface das definições da hora.

9. Aarding
10. Afvoer
11. Afzonderlijk aankopen
12. Beschikbare opties

## Verschijningsvorm (Pagina 2 - B)

## Accesoire en Interface (Pagina 4 - C)

- ① Resetknop: Houd de resetknop tijdens het inschakelen of opnieuw starten van de camera gedurende ongeveer 10s ingedrukt om de standaardinstellingen te herstellen, inclusief de gebruikersnaam, het wachtwoord, IP-adres, poortnr. enz.
- ② Geheugenkaartsleuf
- ③ Netwerkiterface
- ④ Voedingsinterface
- ⑤ Audio-interface
- ⑥ RS-485 en voedingsinterface
- ⑦ Alarminterface
- ⑧ GND

## Camera installeren (Pagina 7 – D)

## Alarm-uitgang (Pagina 14 – E)

- ① Relaisuitgang
- ② DC-belasting
- ③ Stroomvoorziening
- ④ JQC-3FG relais

## Beschermende maatregelen voor installaties buiten (Pagina 14 – F1)

## Netwerkamera activeren en bedienen (Pagina 14 – F2)

©2023 Hangzhou Hikvision Digital Technology Co., Ltd. Alle rechten voorbehouden.

## Over deze handleiding

De handleiding bevat instructies voor het gebruik en beheer van het product. Afbeeldingen, grafieken, afbeeldingen en alle andere informatie hierna worden verstrekt voor beschrijving en uitleg. De informatie in de handleiding is onderhevig aan verandering, zonder voorafgaande kennisgeving, als gevolg van firmware-updates of andere redenen. U kunt de nieuwste versie van deze handleiding vinden op de Hikvision-website (<https://www.hikvision.com/>).

Gebruik deze handleiding onder begeleiding en ondersteuning van professionals die zijn opgeleid voor het ondersteunen van het product.

## Handelsmerken

**HIKVISION** en andere handelsmerken en logo's van Hikvision zijn eigendom van Hikvision in de verschillende jurisdicties.

Andere handelsmerken en logo's zijn het eigendom van hun respectieve eigenaren.

## VRIJWARINGSCLAUSULE

VOOR ZOVER MAXIMALE TOEGESTAAN OP GROND VAN HET TOEPASSELIJK RECHT, WORDEN DEZE HANDLEIDING EN HET OMSCHREVEN PRODUCT, INCLUSIEF HARDWARE, SOFTWARE EN FIRMWARE, GELEVERD 'ZOAALS ZE ZIJN', INCLUSIEF 'FOUTEN EN GEBREKEN'. HIKVISION GEEFT GEEN GARANTIES, EXPLICIET NOCH IMPLICIET, INCLUSIEF ONDER BEPERKING OMTRENT VERKOOPBAARHEID, TEVRIDENHEID OMTRENT KWALITEIT OF GESCHIKTHEID VOOR EEN BEPAALD DOEL. HET GEBRUIK VAN HET PRODUCT DOOR U IS OP EIGEN RISICO. IN GEEN GEVAL IS HIKVISION VERANTWOORDELIJK VOOR SPECIALE, BIJKOMENDE, INCIDENTELE OF INDIRECTE SCHADE, WAARONDER, ONDER ANDERE, SCHADE VAN VERLIES AAN ZAKELIJKE WINST, ZAKELIJKE ONDERBREKING OF VERLIES VAN GEGEVENS, CORRUPTIE OF SYSTEMEN, OF VERLIES VAN DOCUMENTATIE, ONGEACHT OF DIT VOORTVLOEIT UIT CONTRACTBREUK, BENADELING (INCLUSIEF NALATIGHEID), PRODUCTAANSPRAAKELIJKHEID OF ANDERS, MET BETREKING TOT HET PRODUCT, ZELFS ALS HIKVISION OP DE HOOGTE IS GEBRACHT VAN ZULKE SCHADE OF VERLIES.

U ERKENT DAT DE AARD VAN INTERNET INHERENTE VEILIGHEIDSRISICO'S MET ZICH MEE BRENGT, EN HIKVISION GEEN ENKELE VERANTWOORDELIJKHEID NEEMT VOOR ABNORMALE WERKING, PRIVACYLEKKEN OF ANDERE SCHADE DIE VOORTVLOEIT UIT CYBERAANVAL, HACKERAANVAL, VIRUSINFECTIE, OF ANDERE

## Nederlands

 Lees deze gebruiksaanwijzing voordat u het product gebruikt.

Het uiterlijk van het product is alleen bedoeld als referentie en kan verschillen van het werkelijke product.

## Symbolen en markeringen (Pagina 1 – A)

1. Mededeling
2. Waarschuwing
3. Verboden
4. Juist
5. Onjuist
6. Ga naar stap A en ga door.
7. Niet noodzakelijkerwijs inbegrepen accessoire. /Variabel aantal accessoires. /Sla deze stap over als deze niet is vereist.
8. Micro-SD-kaart



INTERNETVEILIGHEIDSRISICO'S; HIKVISION BIJDT INDIEN NODIG ECHTER TIJDELIJK TECHNISCHE ONDERSTEUNING. U GAAT AKKOORD MET HET GEBRUIK VAN DIT PRODUCT IN OVEREENSTEMMING MET ALLE TOEPASBARE WETTEN EN UITSLUITEND U BENT VERANTWOORDELIJK VOOR DE GARANTIE DAT UW GEBRUIK OVEREENSTEMT MET DE TOEPASBARE WET. U BENT VOORAL VERANTWOORDELIJK DAT HET GEBRUIK VAN DIT PRODUCT GEEN INBREUK MAAKT OP DE RECHTEN VAN DERDEN, INCLUSIEF EN ZONDER BEPERKING DE RECHTEN VAN PUBLICITEIT, INTELLECTUEEL EIGENDOM, OF GEGEVENSBESCHERMING EN ANDERE PRIVACYRECHTEN. U MAG DIT PRODUCT NIET GEBRUIKEN VOOR ENIGE ONWETTIG EINDGEBRUIK, MET INBEGRIJP VAN DE ONTWIKKELING OF DE PRODUCTIE VAN MASSAVERNIEGTIGINGSWAPENS, DE ONTWIKKELING OF DE PRODUCTIE VAN CHEMISCHE OF BIOLOGISCHE WAPENS, ALLE ACTIVITEITEN IN HET KADER VAN EVENTUELE NUCLEAIRE EXPLOSIEVEN OF ONVEILIGE NUCLEAIRE BRANDSTOFCYCLUS, OF TER ONDERSTEUNING VAN MENSENRECHTENSCHENDINGEN. IN HET GEVAL VAN ENIGE CONFLICTEN TUSSEN DEZE HANDLEIDING EN DE TOEPASSELIJKE WETGEVING, PREVALEERT DE LAATSTE.

### Informatie met betrekking tot regelgeving

**Deze clausules zijn alleen van toepassing op de producten die de overeenkomende markering of informatie dragen.**

### EU-conformiteitsverklaring



Dit product en, indien van toepassing, ook de meegeleverde accessoires, zijn gemarkeerd met "CE" en voldoen daarom aan de toepasselijke geharmoniseerde Europese normen zoals opgenomen in de EMC-richtlijn 2014/30/EU, de Laagspanningsrichtlijn (LVD) 2014/35/EU en de RoHS-richtlijn 2011/65/EU.



2012/19/EU (WEEE-richtlijn): Producten die met dit symbool zijn gemarkeerd mogen binnen de Europese Unie niet worden weggegooid als ongesorteerd huishoudelijk afval. Lever dit product voor een juiste recycling in bij uw plaatselijke leverancier bij aankoop van soortgelijke nieuwe apparatuur, of breng het naar daarvoor aangewezen inzamel punten. Raadpleeg voor meer informatie: [www.recyclethis.info](http://www.recyclethis.info)



2006/66/EU en het amendement 2013/56/EU (richtlijn batterijen): Dit product bevat een batterij die binnen de Europese Unie niet mag worden weggegooid als ongesorteerd huishoudelijk afval. Zie de productdocumentatie voor specifieke informatie over de batterij. De batterij is gemarkeerd met dit symbool, dat letters kan bevatten die cadmium (Cd), lood (Pb) of kwik (Hg) aanduiden. Lever de batterij voor een juiste recycling in bij uw leverancier of bij een daarvoor aangewezen inzamel punt. Raadpleeg voor meer informatie: [www.recyclethis.info](http://www.recyclethis.info).

### Waarschuwing

Dit is een product van klasse A. In een huiselijke omgeving kan dit product radiostoringen veroorzaken, in welk geval de gebruiker mogelijk passende maatregelen dient te nemen.

### Veiligheidsinstructies



#### Waarschuwingen

#### Wet- en regelgeving

Het apparaat moet worden gebruikt in overeenstemming met lokale wetgeving, elektrische veiligheidsvoorschriften en voorschriften voor brandpreventie.

#### Elektrische veiligheid

LET OP: Vervang de zekering uitsluitend door een exemplaar van hetzelfde type en vermogen om het risico van brand te reduceren.

Deze apparatuur moet worden geïnstalleerd in combinatie met een UPS om het risico van opnieuw starten te vermijden.

De apparatuur moet worden aangesloten op een geaard stopcontact.

Een loskoppelapparaat dat een geschikt vermogen heeft en direct toegankelijk is, zal extern geïntegreerd worden in de

apparatuur.

Extern aan de apparatuur moet een overstrombeveiliging worden ingebouwd die het geschikte vermogen heeft en die de specificatie van het gebouw niet overschrijft.

In de elektrische installatie van het gebouw moet een meerpolige netschakelaar worden ingebouwd.

#### Batterij

Deze apparatuur is niet geschikt voor gebruik op locaties waar waarschijnlijk kinderen aanwezig zijn.

LET OP: Er bestaat explosiegevaar wanneer de batterij door een onjuist type wordt vervangen.

Onjuiste vervanging van de batterij door een onjuist type kan een beveiliging omzelen (bijvoorbeeld in het geval van sommige typen lithiumbatterijen).

Gooi de batterij niet in vuur of een hete oven en plet of snij de batterij niet op mechanische wijze, want dat kan een explosie veroorzaken.

Laat de batterij niet in een omgeving met een extreem hoge temperatuur liggen, want dat kan een explosie of het lekken van brandbare vloeistof of gas tot gevolg hebben.

Stel de batterij niet bloot aan extreem lage luchtdruk, want dat kan een explosie of het lekken van brandbare vloeistof of gas tot gevolg hebben.

Verwijder gebruikte batterijen in overeenstemming met de instructies.



### Voorzichtigheden

#### Elektrische veiligheid

Zorg voor de juiste bekabeling van de klemmen voor aansluiting op een wisselstroomnet.

Indien nodig is de apparatuur aangepast voor aansluiting op een IT-stroomdistributiesysteem.

#### Brandveiligheid

Plaats geen bronnen met open vuur, zoals brandende kaarsen, op het apparaat.

De seriële poort van de apparatuur wordt alleen gebruikt voor foutopsporing.

#### Warm oppervlak

LET OP: Hete onderdelen! Verbrande vingers bij het behandelen van de onderdelen.



Deze sticker is om aan te geven dat het gemarkeerde item heet kan zijn en niet mag worden aangeraakt zonder voorzichtig te zijn. Wacht een half uur na het uitschakelen voordat u onderdelen aanraakt.

Het apparaat met deze sticker is bestemd voor installatie op een locatie met beperkte toegang. Toegang kan alleen worden verkregen door onderhoudsmedewerkers of door gebruikers die zijn geïnstrueerd over de redenen voor de beperkingen die op de locatie worden toegepast en over de voorzorgsmaatregelen die moeten worden genomen.

#### Installatie

Installeer de apparatuur volgens de instructies in deze handleiding.

Zorg ervoor dat er voldoende ruimte is om het apparaat en de accessoires te installeren.

Zorg ervoor dat de muur stevig genoeg is om ten minste 8 keer het gewicht van de camera en het montuur te dragen.

Controleer eerst de voeding is losgekoppeld voor u het apparaat bekabelt, installeert of demonteert.

#### Transport

Bewaar het apparaat in de originele of soortgelijke verpakking tijdens vervoer.

Laat het product niet vallen en stel het apparaat niet bloot aan schokken.

#### Stroomvoorziening

De stroombron moet voldoen aan de vereisten voor beperkte stroombronnen of PS2-vereisten volgens de normen IEC 60950-1 of IEC 62368-1.

Zie het apparaatlabel voor de standaard stroomvoorziening. Zorg ervoor dat uw stroomvoorziening dezelfde is als die van uw apparaat.

Gebruik een door een gekwalificeerde fabrikant geleverde netstroomadapter. Het wordt aanbevolen om voor elk

apparaat een onafhankelijke netstroomadapter te gebruiken, aangezien overbelasting van de adapter oververhitting of brandgevaar kan veroorzaken.

## Systeembeveiliging

Wij vragen uw begrip voor het feit dat u verantwoordelijkheid bent voor het configureren van alle wachtwoorden en andere beveiligingsinstellingen betreffende het apparaat, en bewaar uw gebruikersnaam en wachtwoord.

## Onderhoud

Als het product niet goed werkt, neem dan contact op met uw leverancier of het dichtstbijzijnde servicecentrum. Wij aanvaarden geen verantwoordelijkheid voor problemen die zijn veroorzaakt door ongeautoriseerde reparatie of onderhoud.

Een paar componenten van het apparaat (o.a. elektrolytische condensator) vereisen regelmatige vervanging. De gemiddelde levensduur varieert, dus periodieke controle wordt aanbevolen. Neem contact op met uw leverancier voor meer informatie.

## Reiniging

Gebruik een zachte en droge doek om de binnenkant en buitenkant te reinigen. Gebruik geen alkalische reinigingsmiddelen.

## Gebruiksomgeving

Wanneer laserapparatuur in gebruik is, zorg er dan voor dat de lens van het apparaat niet wordt blootgesteld aan de laserstraal, anders kan deze doorbranden.

Richt de lens niet op de zon of een ander fel licht.

Om warmteophoping te voorkomen is goede ventilatie vereist voor een juiste bedrijfsomgeving.

Stel het apparaat niet bloot aan extreem warme, koude, stoffige, corrosieve, zout-alkalische of vochtige omgevingen. Zie voor temperatuur- en luchtvochtigheidsvereisten de apparaatspecificaties.

Stel het apparaat NIET bloot aan hoge elektromagnetische straling.

## Lamp

Zorg ervoor dat er zich geen reflecterend oppervlak te dicht bij de cameraleens bevindt. Het IR-licht van de camera kan in de lens weerkaatsen, wat reflecties veroorzaakt.

Dit product stoot mogelijk gevaarlijke optische straling uit. Staar NIET in de operationele lichtbron. Dit kan schadelijk zijn voor uw ogen.

Schakel het licht enkel in op veilige afstand als er geen geschikte afscherming of oogbescherming beschikbaar is of schakel het licht in het gebied in dat niet direct aan het licht wordt blootgesteld bij de installatie of het onderhoud van het apparaat.


## Noodgeval

Als er rook, geur of geluid uit het apparaat komt, schakel het dan onmiddellijk uit, haal de stekker van het netsnoer uit het stopcontact en neem contact op met het servicecentrum.

## Tijdsynchronisatie

Stel tijd op het apparaat handmatig in bij de eerste aanmelding, als de lokale tijd niet is gesynchroniseerd met die van het netwerk. Bezoek het apparaat via webbrowser/clientsoftware en ga naar de interface voor tijdsinstellingen.

## Čeština

 Před použitím produktu si, prosím, přečtěte tento návod. Vzhled výrobku slouží pouze jako reference a může se od skutečného výrobku lišit.

## Symboly a značky (strana 1 – A)

1. Poznámka
2. Varování
3. Zakázáno
4. Správně
5. Nesprávně
6. Přejděte na krok A a pokračujte.
7. Nemusí být nutně součástí příslušenství. /Variabilní počet příslušenství. /Přeskočit tento krok, pokud není vyžadován.
8. Karta MicroSD

9. Uzemnění
10. Likvidace
11. K zakoupení samostatně
12. Možné volby

## Vzhled (strana 2 - B)

## Příslušenství a rozhraní (strana 4 - C)

① Tlačítko resetování: Stiskněte a podržte po dobu 10 s tlačítko resetování během zapínání nebo restartování kamery, chcete-li obnovit výchozí nastavení včetně uživatelského jména, hesla, IP adresy, č. portu atd.

- ② Slot pro paměťovou kartu
- ③ Síťový konektor
- ④ Napájecí konektor
- ⑤ Audiorozhraní
- ⑥ Konektor RS-485 a napájecí konektor
- ⑦ Konektor alarmu
- ⑧ GND

## Instalace kamery (strana 7 – D)

## Výstup alarmu (strana 14 – E)

- ① Reléový výstup
- ② Zatížení stejnosm. proudem
- ③ Napájení
- ④ Relé JQC-3FG

## Ochranná opatření při venkovní montáži (strana 14 – F1)

## Aktivace síťové kamery a přístup k ní (strana 14 – F2)

## Právní informace

### Informace o tomto návodu

V návodu jsou obsaženy pokyny k používání a obsluze výrobku. Obrázky, schémata, snímky a veškeré ostatní zde uvedené informace slouží pouze jako popis a vysvětlení. Informace obsažené v tomto návodu podléhají vzhledem k aktualizacím firmwaru nebo z jiných důvodů změnám bez upozornění. Nejnovější verzi tohoto návodu naleznete na webových stránkách společnosti.

Tento návod použijte s vedením a pomocí odborníků vyškolených v oblasti podpory výrobku.

### Ochranné známky

Ochranné známky a loga uvedená v této příručce jsou majetkem příslušných vlastníků.

### Prohlášení o vyloučení odpovědnosti

TATO PŘÍRUČKA A POPISOVANÉ PRODUKTY VČETNĚ PŘÍSLUŠNÉHO HARDWARU, SOFTWARE A FIRMWARU JSOU V MAXIMÁLNÍM ROZSAHU PŘÍPUSTNĚM PODLE ZÁKONA POSKYTOVÁNY, „JAK STOJÍ A LEŽÍ“, A „SE VŠEMI VADAMI A CHYBAMI“. NAŠE SPOLEČNOST NEPOSKYTUJE ŽÁDNÉ VÝSLOVNÉ ANI PŘEDPOKLÁDNÉ ZÁRUKY ZARNUJÍCÍ MIMO JINÉ PROJEKCI, USPOKOJIVOU KVALITU NEBO VHDNOST KE KONKRÉTNÍM ÚČELŮM. POUŽÍVÁNÍ TOHOTO PRODUKTU JE NA VAŠE VLASTNÍ RIZIKO. NAŠE SPOLEČNOST NENESE V ŽÁDNÉM PŘÍPADĚ ODPOVĚDNOST ZA JAKÉKOLI ZVLÁŠTNÍ, NÁSLEDNĚ, NAHODNĚ NEBO NEPŘÍMÉ ŠKODY ZARNUJÍCÍ MIMO JINÉ ŠKODY ZE ZTRÁTY OBCHODNÍHO ZISKU, PŘERUŠENÍ OBCHODNÍ ČINNOSTI NEBO ZTRÁTY DAT, POŠKOZENÍ SYSTÉMŮ NEBO ZTRÁTY DOKUMENTACE V SOUVISLOSTI S POUŽÍVÁNÍM TOHOTO PRODUKTU BEZ OHLEDU NA TO, ZDA TAKOVÉ ŠKODY VZNIKLY Z DŮVODU PORUŠENÍ SMLOUVY, OBČANSKOPRÁVNÍHO PŘECHŮ (VČETNĚ NEDBALOSTI) ČI ODPOVĚDNOSTI ZA PRODUKT, A TO ANI V PŘÍPADĚ, ŽE NAŠE SPOLEČNOST BYLA NA MOŽNOST TAKOVÝCHTO ŠKOD NEBO ZTRÁTY UPOZORNĚNA. BERETE NA VĚDOMÍ, ŽE INTERNET SVOU PODSTATOU PŘEDSTAVUJE KRYTÁ BEZPEČNOSTNÍ RIZIKA A NAŠE SPOLEČNOST PROTO NEPŘEBÍRÁ ŽÁDNOU ODPOVĚDNOST ZA NESTANDARDNÍ PROVOZNÍ CHOVÁNÍ, ÚNIK OSOBNÍCH ÚDAJŮ NEBO JINÉ ŠKODY VYPLYVÁJÍCÍ Z KYBERNETICKÉHO ČI HACKERSKÉHO ÚTOKU, NAPADENÍ VIREM NEBO ŠKODY ZPŮSOBENÉ JINÝMI INTERNETOVÝMI BEZPEČNOSTNÍMI RIZIKY; NAŠE SPOLEČNOST VŠAK V PŘÍPADĚ POTŘEBY POSKYTNE VČASNOU TECHNICKOU PODPORU. SOUHLASÍTE S TÍM, ŽE TENTO PRODUKT BUDE POUŽÍVÁN V SOULADU SE VŠEMI PLATNÝMI ZÁKONY A VÝHRADNĚ ODPOVÍDÁTE ZA ZAJIŠTĚNÍ, ŽE VAŠE UŽÍVÁNÍ BUDE V SOULADU S PLATNOU LEGISLATIVOU. ODPOVÍDÁTE ZEJMÉNA ZA POUŽÍVÁNÍ PRODUKTU ZPŮSOBEM, KTERÝ



NEPORUŠUJE PRÁVA TŘETÍCH STRAN, COŽ ZAHRNUJE MIMO JINÉ PRÁVO NA OCHRANU OSOBNOSTI, PRÁVO DUŠEVNÍHO VLASTNICTVÍ NEBO PRÁVO NA OCHRANU OSOBNÍCH ÚDAJŮ A DALŠÍ PRÁVA NA OCHRANU SOUKROMÍ. TENTO PRODUKT NESMÍTE POUŽÍVAT K JAKÝMKOLI NEDOVOLENÝM KONCOVÝM ÚČELŮM VČETNĚ VÝVOJE ČI VÝROBY ZBRANÍ, HROMADNÉHO NIČENÍ, VÝVOJE NEBO VÝROBY CHEMICKÝCH ČI BIOLOGICKÝCH ZBRANÍ NEBO JAKÝCHKOLI ČINNOSTI SOUVISEJÍCÍCH S JADERNÝMI VÝBUŠNINAMI NEBO NEBEZPEČNÝM JADERNÝM PALIVOVÝM CYKLEM ČI K PODPĚŘE PORUŠOVÁNÍ LIDSKÝCH PRÁV.

V PŘÍPADĚ JAKÉHOKOLI ROZPORU MEZI TÍMTO NÁVODEM A PŘÍSLUŠNÝMI ZÁKONY PLATÍ DRUHÉ ZMÍNĚNÉ.

### Zákonné informace

**Tyto části se vztahují pouze k výrobkům nesoucím odpovídající označení nebo informaci.**

### EU prohlášení o shodě



Tento výrobek a případně i dodané příslušenství jsou označeny štítkem "CE" a vyhovují proto příslušným harmonizovaným evropským standardům uvedeným ve směrnici EMC 2014/30/ES, směrnici LVD 2014/35/ES a směrnici RoHS 2011/65/ES.



Směrnice 2012/19/ES (WEEE): Výrobky označené tímto symbolem nelze v Evropské unii likvidovat společně s netříděným domovním odpadem. Při zakoupení nového ekvivalentního výrobku tento výrobek řádně zrecykluje vrácením všemu místnímu

dodavateli, nebo jej zlikviduje odevzdáním v určených sběrných místech. Další informace viz [www.recyclethis.info](http://www.recyclethis.info)



Směrnice 2006/66/ES a její úprava 2013/56/EU (směrnice o bateriích): Tento výrobek obsahuje baterii, kterou nelze v Evropské unii likvidovat společně s netříděným domovním odpadem. Konkrétní informace o baterii naleznete

v dokumentaci výrobku. Baterie je označena tímto symbolem, který může obsahovat písmena značící kadmium (Cd), olovo (Pb) nebo rtuť (Hg). Za účelem řádné recyklace baterie odevzdejte všemu dodavateli nebo na určené sběrné místo. Další informace naleznete na adrese: [www.recyclethis.info](http://www.recyclethis.info).

### Varování

Jedná se o zařízení třídy A. V domácím prostředí může tento výrobek způsobovat rušení rádiového signálu. V takovém případě může být nutné přijmout adekvátní opatření.

### Bezpečnostní pokyny



#### Výstrahy

#### Zákony a předpisy

Zařízení je nutné používat v souladu s místními zákony a předpisy týkajícími se elektrické bezpečnosti a předpisy pro protipožární ochranu.

#### Elektrická bezpečnost

**UPOZORNĚNÍ:** Pojistku vyměňte pouze za pojistku stejného typu a se stejným jmenovitým proudem, abyste omezili nebezpečí požáru.

Nainstalujte a zapojte toto zařízení k záložnímu zdroji (UPS), abyste se vyhnuli riziku restartu.

Zařízení musí být připojeno k uzemněné síťové zásuvce.

Zajištěno musí být snadno přístupné odpojovací zařízení s příslušnými jmenovitými údaji, které musí být k zařízení připojeno externě.

Zajištěno musí být zařízení proudové ochrany s příslušnými jmenovitými údaji, které musí být k zařízení připojeno externě a nesmí překročit specifikaci budovy.

Elektroinstalace budovy musí zahrnovat vypínač všech pólů.

#### Baterie

Toto zařízení není vhodné pro použití v místech, na kterých se mohou vyskytovat děti.

**UPOZORNĚNÍ:** Při výměně baterie za nesprávný typ hrozí nebezpečí výbuchu.

Vyměňte-li baterii za nesprávný typ, může dojít k poškození bezpečnostního prvku (například v případě některých typů lithiových baterií).

Baterii nevhazujte do ohně, nevklaďte do horké trouby, mechanicky ji nedrte ani neležejte. Mělo by dojít k výbuchu.

Neponechávejte baterii v prostředí s extrémně vysokou teplotou, protože by mohlo dojít k výbuchu nebo úniku hořlavé kapaliny nebo plynu.

Nevystavujte baterii extrémně nízkému tlaku vzduchu, protože by mohlo dojít k výbuchu nebo úniku hořlavé kapaliny nebo plynu.

Použité baterie zlikvidujte podle pokynů.



### Upozornění

#### Elektrická bezpečnost

Při připojení ke zdroji střídavého proudu zajistěte správné zapojení svorek.

Toto zařízení bylo navrženo a v případě potřeby upraveno k připojení do rozvodného systému IT.

#### Požární ochrana

Na zařízení se nesmí pokládat zdroje otevřeného ohně jako například hořící svíčky.

Sériový port zařízení se používá pouze k ladění.

#### Horký povrch

**UPOZORNĚNÍ:** Horké díly! Při manipulaci s díly si můžete popálit prsty.



Tato nálepka označuje, že označená položka může být horká a mělo by se jí vždy dotýkat opatrně. Než budete s díly manipulovat, vyčkejte po vypnutí zařízení

půl hodiny.

Zařízení s touto nálepkou je určeno k montáži na místě s omezeným přístupem. Přístup mohou mít pouze zaměstnanci provádějící servis nebo uživatelé, kteří byli poučeni o důvodech omezení vztahujících se k místu a o všech zbylých ochranných opatřeních, která mají být přijata.

#### Montáž

Namontujte zařízení podle pokynů v tomto návodu.

Ujistěte se, že je pro montáž zařízení a příslušenství k dispozici dostatek místa.

Ujistěte se, že je stěna dostatečně pevná a unese hmotnost 8krát větší, než je hmotnost kamery a držáku.

Před připojením, instalací a demontáží zařízení se ujistěte, že bylo napájení odpojeno.

#### Přeprava

Při přepravě uchovávejte zařízení v původním nebo jemu podobném balení.

Produkt nevystavujte fyzickým nárazům a zabraňte jeho spadnutí.

#### Napájení

Zdroj napájení musí splňovat požadavky na omezený zdroj napájení nebo požadavky PS2 podle normy IEC 60950-1 nebo IEC 62368-1.

Informace o standardním napájení viz štítek zařízení. Ujistěte se, že dodávané napětí odpovídá údajům zařízení.

Používejte napájecí adaptér dodaný kvalifikovanými výrobci. Doporučuje se pro jednotlivá zařízení zajistit nezávislý napájecí adaptér, protože přetížení adaptéru může vést k přehřátí nebo způsobit požár.

#### Zabezpečení systému

Mějte na paměti, že jste odpovědní za konfiguraci všech hesel a dalších nastavení zabezpečení zařízení a uchovávejte uživatelské jméno a heslo.

#### Údržba

V případě, že výrobek nefunguje správně, obraťte se na prodejce nebo na nejbližší servisní středisko. Nepřebíráme žádnou odpovědnost za problémy způsobené neoprávněnou opravou nebo údržbou.

Některé z komponent zařízení (např. elektrolytický kondenzátor) je nutné pravidelně vyměňovat. Průměrná doba životnosti se liší, doporučujeme proto pravidelné kontroly. Podrobnosti vám poskytne prodejce.

#### Čištění

K čištění vnitřních i vnějších povrchů používejte suchý a měkký hadřík. Nepoužívejte alkalické čisticí prostředky.

#### Provozní prostředí

Používá-li se nějaké laserové zařízení, zajistěte, aby nebyl objektiv zařízení vystaven laserové paprsku. V opačném případě by se mohl vypálit.

Nemířte objektivem do slunce ani do jiného zdroje jasného světla.

Aby nedošlo k hromadění tepla, je nutná pro správné provozní prostředí dobrá ventilace.

NEVYSTAVUJTE zařízení extrémně horkému, chladnému, prašnému, korozivnímu, slanému/zásaditému nebo vlhkému prostředí. Požadavky na teplotu a vlhkost jsou uvedeny ve specifikaci zařízení.

NEVYSTAVUJTE zařízení silnému elektromagnetickému záření.

## Osvětlení

Ujistěte se, že v těsné blízkosti objektivu kamery není žádný reflexní povrch. Infračervené osvětlení z kamery se může odrážet zpět do objektivu, a způsobovat tak odrazy.

Tento výrobek může vyzařovat nebezpečné optické záření. NEDÍVEJTE se do zapnutého zdroje světla. Může být pro oči škodlivé.

Pokud nemáte k dispozici příslušné stínění nebo ochranu očí, při montáži nebo údržbě zařízení se držte v bezpečné vzdálenosti od světla nebo se pohybuje pouze v oblasti, která není světlu přímo vystavena.


## Stav nouze

Pokud ze zařízení vychází kouř, zápach nebo hluk, zařízení okamžitě vypněte, odpojte napájecí kabel a obraťte se na servisní středisko.

## Synchronizace času

Není-li místní čas synchronizován s časem sítě, nastavte při prvním přístupu čas zařízení ručně. Přejděte prostřednictvím webového prohlížeče nebo klienta softwaru k zařízení a otevřete rozhraní pro nastavení času.

## Dansk

 Læs denne vejledning, før du tager produktet i brug. Produktudvejdning er kun til reference og kan variere fra det faktiske produkt.

## Symboler og mærker (Side 1 – A)

1. Meddelelse
2. Advarsel
3. Forbudt
4. Korrekt
5. Forkert
6. Spring over til trin A, og fortsæt.
7. Tilbehør medfølger ikke nødvendigvis. /Variabelt antal tilbehør. /Spring dette trin over, hvis det ikke er nødvendigt.
8. MicroSD-kort
9. Jordforbindelse
10. Bortskaffelse
11. Skal købes separat
12. Mulige indstillinger

## Udseende (Side 2 - B)

### Tilbehør og grænseflade (Side 4 - C)

- ① Nulstillingsknap: Tryk på nulstillingsknappen i ca. 10 sek., når kameraet tændes eller genstartes, for at gendanne standardindstillingerne, inkl. brugernavn, adgangskode, IP-adresse, portnr. osv.
- ② Holder til hukommelseskort
- ③ Netværksstik
- ④ Strømkstik
- ⑤ Lydstik
- ⑥ RS-485 og strømkstik
- ⑦ Alarmstik
- ⑧ GND

## Opsætning af kamera (Side 7 – D)

### Alarmudgang (Side 14 – E)

- ① Relæudgang
- ② Jævnstrømsbelastning
- ③ Strømforsyning
- ④ JQC-3FG-relæ

## Beskyttelsesforholdsregler for udendørsinstallation (Side 14– F1)

### Aktivér og få adgang til netværkskamera (Side 14 – F2)

©2023 Hangzhou Hikvision Digital Technology Co. Ltd. Alle rettigheder forbeholdes.

## Om denne vejledning

Vejledningen indeholder anvisninger om brug og håndtering af produktet. Billeder, diagrammer, illustrationer og alle øvrige oplysninger herefter tjener kun som beskrivelse og forklaring. Oplysningerne i vejledningen er med forbehold for ændring uden varsel på grund af opdateringer af firmware eller andre årsager. Du kan finde den seneste udgave af vejledning på Hikvisions websted (<https://www.hikvision.com/>).

Brug brugervejledningen under vejledning af og med hjælp fra fagfolk, der er uddannet i understøttelse af produktet.

## Varemærker

**HIKVISION** og andre af Hikvisions varemærker og logoer tilhører Hikvision i forskellige jurisdiktioner. Andre nævnte varemærker og logoer tilhører deres respektive ejere.

## ANSVARSRANSKRIVELSE

VEJLEDNINGEN OG DET HERI BESKREVNE PRODUKT, INKL. HARDWARE, SOFTWARE OG FIRMWARE, LEVERES I STØRST MULIGT OMFANG, DER ER TILLADT VED LOV, "SOM DET ER OG FOREFINDES" OG "MED ALLE DEFEKTER OG FEJL". HIKVISION UDSATER INGEN GARANTIER, UDTRYKKELIGE ELLER UNDERFORSTÅEDE, INKL. UDEN BEGRÆNSNING, VEDRØRENDE SALGBARHED, TILFREDSSTILLELSE KVALITET ELLER EGNETHED TIL ET BESTEMT FORMÅL. DIN BRUG AF PRODUKTET SKER PÅ DIN EGEN RISIKO. UNDER INGEN OMSTÆNDIGHEDER ER HIKVISION ANSVARIG OVER FOR DIG FOR SÆRLIGE SKADER, HÆNDELIGE SKADER, FØLGESKADER ELLER INDIREKTE SKADER, INKL. BL.A., SKADER SOM FØLGE AF DRIFTSTAB, DRIFTSFORSTYRRELSER ELLER TAB AF DATA, BESKADIGELSE AF SYSTEMER ELLER TAB AF DOKUMENTATION, UANSET OM DET ER BASERET PÅ KONTRAKTBRUD, SKADEVOLDENDE HANDLINGER (HERUNDER UAGTSOMHED), PRODUKTANSVAR ELLER PÅ ANDEN MÅDE I FORBINDELSE MED BRUGEN AF PRODUKTET, SELVOM HIKVISION ER BLEVET UNDERRETET OM MULIGHEDEN FOR SÅDANNE SKADER.

DU ANERKENDE, AT INTERNETTET INDEHOLDER INDBYGGEDE SIKKERHEDSRISIKO. HIKVISION PÅTAGER SIG INTET ANSVAR FOR UNORMAL DRIFT, LÆKAGE AF PERSONLIGE OPlysNINGER ELLER ANDRE SKADER SOM FØLGE AF CYBERANGREB, HACKERANGREB, VIRUSANGREB ELLER ANDRE INTERNETSIKKERHEDSRISIKO. HIKVISION VIL DOG YDE EVENTUEL NØDVENDIG OG RETTIDIG TEKNISK BISTAND.

DU ERKLÆRER DIG INDFORSTÅET MED AT BRUGE PRODUKTET I OVERENSSTEMMELSE MED ALLE GÆLDENDE LOVE, OG DU ER ENANSVARLIG FOR AT SIKRE, AT DIN BRUG OVERHOLDER AL GÆLDENDE LOVGIVNING. DU ER ISÆR ANSVARLIG FOR AT BRUGE PRODUKTET PÅ EN MÅDE, DER IKKE KRÆNKER TREDJEPARTERS RETTIGHEDER, HERUNDER, UDEN BEGRÆNSNINGER, RETTIGHEDER VEDRØRENDE OFFENTLIG OMTALE, INTELLEKTUELLE EJENDOMSRETTIGHEDER ELLER RETTIGHEDER VEDRØRENDE DATABASESKYTTELSE OG ANDRE RETTIGHEDER VEDRØRENDE PERSONLIGE OPlysNINGER. DU MÅ IKKE BRUGE PRODUKTET TIL FORBUDTE SLUTANVENDELSER, HERUNDER UDVIKLING ELLER FREMSTILLING AF MASSEDELÆGGELSESVÅBEN, UDVIKLING ELLER PRODUKTION AF KEMISKE ELLER BIOLOGISKE VÅBEN, AKTIVITETER I DEN KONTEKST, DER ER KNYTTET TIL ATOMBOMBER ELLER USIKKERT REAKTORBRÆNDELSE, ELLER SOM STØTTE TIL OVERTRÆDELSE AF MENNESKERETTIGHEDER.

I TILFÆLDE AF UOVERENSSTEMMELSE MELLEM VEJLEDNINGEN OG GÆLDENDE LOVGIVNING GÆLDER SIDSTNÆVNT.

## Lovgivningsmæssige oplysninger

Disse bestemmelser gælder kun for produkter, der er forsynet med det relevante mærke eller oplysninger.

## EU-overensstemmelseserklæring



Produktet og eventuelt medfølgende tilbehør er mærket "CE" og opfylder derfor gældende harmoniserede europæiske standarder anført i EMC-direktivet 2014/30/EU, LVD-direktivet 2014/35/EU og RoHS-direktivet 2011/65/EU.



2012/19/EU (WEEE-direktivet): Produkter, der er mærket med dette symbol, kan ikke bortskaffes som almindeligt husholdningsaffald i EU. Med henblik på korrekt genbrug skal du aflevere produktet til din lokale leverandør ved køb af tilsvarende nyt udstyr eller aflevere det på et dertil indrettet indleveringssted. Du kan få flere oplysninger her: [www.recyclethis.info](http://www.recyclethis.info)



2006/66/EF som ændret ved 2013/56/EU (batteridirektivet): Dette produkt indeholder et batteri, som ikke kan bortskaffes sammen med almindeligt husholdningsaffald i EU. Find specifikke oplysninger om batteriet i

produktdokumentationen. Batteriet er mærket med dette symbol, som kan indeholde bogstaver, der indikerer indhold af kadmium (Cd), bly (Pb) eller kviksølv (Hg). Med henblik på korrekt genbrug skal du aflevere batteriet til din leverandør eller til et dertil indrettet indleveringssted. For yderligere oplysninger se: [www.recyclethis.info](http://www.recyclethis.info).

### Advarsel

Dette er et klasse A-produkt. I boligmiljø kan dette produkt give radiointerferens, og i så fald skal brugeren træffe tilstrækkelige forholdsregler.

### Sikkerhedsanvisninger



#### Advarsel

#### Love og bestemmelser

Enheden skal anvendes i overensstemmelse med lokale love, sikkerhedsbestemmelser for elnettilslutning og brandforebyggelse.

#### Elektrisk sikkerhed

**FORSIGTIG:** Udskift kun med en sikring af samme type og effekt for at reducere risikoen for brand.

Udstyret skal installeres sammen med en UPS-enhed for at undgå risikoen for genstart.

Udstyret skal tilsluttes en stikkontakt på elnettet med jordforbindelse.

En nemt tilgængelig afbryderanordning med den korrekte nominelle ydelse skal integreres uden for udstyret.

Der skal integreres en enhed med beskyttelse mod overspænding med den korrekte nominelle ydelse uden for udstyret, og som ikke overskrider specifikationerne for bygningen.

En hovedafbryder til alle poler skal indbygges i bygningens elinstallation.

#### Batteri

Udstyret er ikke egnet til brug på steder, hvor det er sandsynligt, at børn er til stede.

**FORSIGTIG:** Der er eksplosionsfare, hvis batteriet udskiftes med en ukorrekt type.

Udskiftning af batteriet med et batteri af forkert type kan sætte en sikkerhedsforanstaltning ud af kraft (gælder fx for visse litium-batterityper).

Bortskaf ikke batteriet i åben ild eller en varm oven. Knus ikke, og skær ikke i batteriet, da dette kan forårsage en eksplosion.

Opbevar ikke batteriet i omgivelser med ekstremt høje temperaturer, da det kan medføre en eksplosion eller lækage af brandfarlig væske eller luft.

Udsæt ikke batteriet for omgivelser med ekstremt lavt lufttryk, da det kan medføre en eksplosion eller lækage af brandfarlig væske eller luft.

Bortskaf brugte batterier i henhold til anvisningerne.



#### Forsigtig

#### Elektrisk sikkerhed

Sørg for korrekt kabelføring af terminalerne for tilslutning til en strømforsyning med vekselstrøm.

Udstyret kan efter behov ændres til tilslutning til et strømfordelingssystem med klassifikation IT.

#### Forebyggelse af brand

Placér ikke kilder med åben ild, såsom et tændt stearinlys, oven på udstyret.

Den serielle port på udstyret bruges kun til fejlfinding.

#### Varm overflade

**FORSIGTIG:** Varme dele! Du kan brænde fingrene ved håndtering af delene.



Mærket angiver, at den mærkede del kan være varm og bør berøres med forsigtighed. Vent en halv time fra du slukker, til du håndterer delene.

Enheden med dette klistermærke er beregnet til installation et sted med begrænset adgang. Adgang kan kun opnås af servicepersonale eller af brugere, der er instrueret i årsagerne til stedets begrænsninger og i evt. forholdsregler, der skal træffes.

#### Installation

Installer udstyret i overensstemmelse med anvisningerne i vejledningen.

Kontrollér, at der er tilstrækkeligt med plads til montering af enheden og tilbehøret.

Kontrollér, at væggen er stærk nok til at bære mindst 8 gange vægten af kameraet og beslaget.

Kontrollér, at strømmen er afbrudt, før du trækker ledninger til, installerer eller adskiller enheden.

#### Transport

Opbevar enheden i den oprindelige eller en lignende emballage, når den skal transporteres.

Tab ikke produktet, og udsæt det ikke for fysiske stød.

#### Strømforsyning

Strømkilden skal overholde kravene i LPS eller PS2 iht. standarden IEC 60950-1 eller IEC 62368-1.

Se standardstrømforsyningen på mærkaten på enheden. Kontrollér, at strømforsyningen matcher din enhed.

Brug en strømadapter, der leveres af godkendte producenter.

Det anbefales at bruge en separat strømadapter til hver enhed, da overbelastning af en adapter kan forårsage overopvædning eller risiko for brand.

#### Systemsikkerhed

Du skal være bevidst om, at du har ansvar for at konfigurere alle adgangskoder og andre sikkerhedsindstillinger vedrørende enheden og at opbevare dit brugernavn og din adgangskode et sikkert sted.

#### Vedligeholdelse

Hvis produktet ikke virker korrekt, skal du kontakte din forhandler eller dit nærmeste servicecenter. Vi påtager os intet ansvar for problemer, der er forårsaget af uautoriseret reparation eller vedligeholdelse.

Der er få enhedsdele (fx elektrolytkondensator), der skal udskiftes regelmæssigt. Den gennemsnitlige levetid varierer. Derfor er det nødvendigt at udføre regelmæssig kontrol. Kontakt din forhandler for nærmere oplysninger.

#### Rengøring

Brug en blød og tør klud til at rengøre de indvendige og udvendige overflader. Brug ikke alkaliske rengøringsmidler.

#### Driftsmiljø

Når der er et laserudstyr i brug, skal det kontrolleres, at enhedens objektiv ikke udsættes for laserstrålen, ellers kan det brænde ud.

Objektivet må ikke rettes mod solen eller et stærkt lys.

Driftsmiljøet skal være godt udluftet for at undgå varmeophobning.

Enheden må IKKE udsættes for ekstremt varme, kolde, støvede, korroderende, salt- og alkaliholdige eller fugtige omgivelser. Se enhedens specifikationer angående temperatur- og fugtighedskrav.

Enheden må IKKE udsættes for kraftig elektromagnetisk stråling.

#### Reflektor

Sørg for, at der ikke findes reflekterende overflader for tæt på kameraets objektiv. IR-lyset fra kameraet kan reflekteres tilbage i objektivet og forårsage refleksion.

Mulig farlig optisk stråling fra dette produkt. UNDLAD at stirre ind i lyskilden. Kan være skadelig for øjnene.

Hvis den passende afskærmning eller øjnevær ikke er til rådighed, skal lyset kun tændes på en sikker afstand eller i det område, der ikke direkte er udsat for lyset, når der installeres eller vedligeholdes enheden.

## Nødsituation

Hvis enheden afgiver røg, lugt eller støj, skal du straks slukke for strømmen og trække strømkablet ud. Kontakt derefter servicecentret.

## Tidssynkronisering

Indstil enhedstiden manuelt første gang, du tilgår enheden, hvis den lokale tid ikke er synkroniseret med netværkets. Gå ind på enheden via din webbrowser/klientsoftware, og gå ind i tidsindstillingerne.

## Magyar

**I** A termék használata előtt olvassa el ezt az útmutatót.

A termék megjelenése csak tájékoztató jellegű, és eltérhet a tényleges terméktől.

### Szimbólumok és jelölések (1– A oldal)

1. Megjegyzés
2. Figyelmeztetés
3. Tilos
4. Helyes
5. Helytelen
6. Folytassa az A lépéstől.
7. Opcionális tartozék. /Változó mennyiségű tartozék. /Ha nem szükséges, hagyja ki ezt a lépést.
8. MicroSD-kártya
9. Földelés
10. Hulladék
11. Külön vásárolható meg
12. Lehetséges opciók

### Megjelenés (2 - B oldal)

#### Tartozékok és interfész (4- C oldal)

- ① Reset (visszaállítás) gomb: Nyomja le a visszaállítás gombot körülbelül 10 másodpercig, amíg a kamera bekapcsol, illetve újraindul, visszaállítva az alapértelmezett beállításokat, beleértve a felhasználónevet, a jelszót, az IP-címet, a portszámát stb.
- ② Memóriakártya-nyílás
- ③ Hálózati csatlakozó
- ④ Tápcsatlakozó
- ⑤ Audiocsatlakozó
- ⑥ RS-485 és tápcsatlakozó
- ⑦ Riasztás interfész
- ⑧ GND

#### A kamera telepítése (7– D oldal)

#### Riasztókimenet (14 – E oldal)

- ① Relékimenet
- ② Egyenáramú terhelés
- ③ Tápellátás
- ④ JQC-3FG relé

#### Védelmi intézkedések kültéri telepítéshez (14– F1 oldal)

#### A hálózati kamera aktiválása és elérése (14– F2 oldal)

©2023 Hangzhou Hikvision Digital Technology Co., Ltd. Minden jog fenntartva.

#### A Kézikönyvvel kapcsolatos tudnivalók

Az útmutató a termék használatára és kezelésére vonatkozó utasításokat tartalmaz. Az itt szereplő képek, diagramok, ábrák és minden további információ csupán leírásként és magyarázatként szolgál. A kézikönyvben szereplő információk a firmware-frissítések és egyéb okok miatt előzetes értesítés nélkül változhatnak. Az útmutató legfrissebb változatáért keresse fel a Hikvision weboldalát (<https://www.hikvision.com/>).

Az útmutatót a termékkel kapcsolatos támogatáshoz megfelelő képzéssel rendelkező szakemberek támogatásával és útmutatásával együtt használja.

#### Védjegyek

A **HIKVISION**, valamint a Hikvision egyéb védjegyei és logói a Hikvision tulajdonát képezik különböző joghatóságok területén.

Az említett egyéb védjegyek és logók a megfelelő tulajdonosok tulajdonát képezik.

#### FELELŐSSÉGIKIZÁRÁS

EZT A KÉZIKÖNYVET, VALAMINT A BENNE SZEREPLŐ TERMÉKET ANNAK HARDVER-, SZOFTVER-ÖSSZETEVŐVEL ÉS FIRMWARE-ÉVEL EGYÜTT „EREDETI FORMÁBAN” BIZTOSÍJTUK, „BELEÉRTVE AZOK ÖSSZES ESETLEGES HIBÁJÁT”. A HIKVISION NEM VÁLLAL SEM KIFEJEZETT, SEM TÖRVÉNY ÁLTAL VÉLELMEZETT JÓTÁLLÁST, TÖBBEK KÖZÖTT – DE NEM KORLÁTOZVA – A TERMÉK ÉRTEKESÍTHETŐSÉGÉRE, MEGFELELŐ MINŐSÉGÉRE, VALAMINT ADOTT CÉLRA VALÓ ALKALMASSÁGÁRA. A TERMÉKET KIZÁRÓLAG SAJÁT FELELŐSSÉGÉRE HASZNÁLHATJA. A HIKVISION SEMMILYEN ESETBEN SEM VÁLLAL FELELŐSÉGET ÖN FELÉ SEMMILYEN KÜLÖNLÉGES, KÖVETKEZMÉNYES, JÁRULÉKOS VAGY KÖZVETETT KÁRERT, BELEÉRTVE TÖBBEK KÖZÖTT A TERMÉK HASZNÁLATÁVAL ÖSSZEFÜGGÉSBEN AZ ÜZLETI HASZON ELVESZTÉSÉBŐL, AZ ÜZLETMENET MEGSZAKADÁSÁBÓL, VALAMINT AZ ADATOK VAGY DOKUMENTUMOK ELVESZTÉSÉBŐL EREDDŐ KÁROKAT, TÖRTÉNEN EZ SZERZŐDÉSSZEGÉS VAGY KÁROKOZÁS (BELEÉRTVE A GONDATLANSÁGOT) EREDMÉNYEKÉNT, MÉG AKKOR SEM, HA A HIKVISION VÁLLALATOT TÁJÉKOZTATTÁK AZ ILYEN KÁROK BEKÖVETKEZÉSÉNEK LEHETŐSÉGÉRŐL. ÖN TUDOMÁSIVAL VESZ, HOGY AZ INTERNET TERMÉSZETÉBŐL FAKADÓAN REJT KOCKÁZATOKAT, ÉS A HIKVISION SEMMILYEN FELELŐSÉGET NEM VÁLLAL A RENDELLENES MŰKÖDÉSÉRT, A SZEMÉLYES ADATOK KISZIVÁRGÁSÁÉRT VAGY MÁS OLYAN KÁROKÉRT, AMELYEKET KIBERTÁMADÁSOK, HACKERTÁMADÁSOK, VÍRUSFERTŐZÉSEK VAGY MÁS INTERNETES BIZTONSÁGI VESZÉLYEK OKOZTAK; A HIKVISION AZONBAN KÉRÉSRE IDŐBEN MŰSZAKI TÁMOGATÁST NYÚJT.

ÖN ELFOGADJA, HOGY EZT A TERMÉKET KIZÁRÓLAG A VONATKOZÓ TÖRVÉNYI ELŐÍRÁSOK BETARTÁSÁVAL HASZNÁLJA, ÉS HOGY A VONATKOZÓ TÖRVÉNYEKNEK MEGFELELŐ HASZNÁLAT KIZÁRÓLAG AZ ÖN FELELŐSSÉGE. KÜLÖNBÖKKÉPPEN AZ ÖN FELELŐSSÉGE, HOGY A TERMÉK HASZNÁLATA SORÁN NE SÉRTSE HARMADIK FÉL JOGAIT, BELEÉRTVE, DE NEM KORLÁTOZVA A NYILVÁNOSÁGÁRA, SZELLEMI TULAJDONRA, ADATOK VÉDELMEÉRE ÉS EGYÉB SZEMÉLYES ADATOKRA VONATKOZÓ JOGOKAT. A TERMÉKET NEM HASZNÁLHATJA TILTOTT CÉLRA, BELEÉRTVE A TÖMEGSPUSZTÍTÓ FEGYVEREK FEJLESZTÉSÉT VAGY GYÁRTÁSÁT, A VEGETI VAGY BIOLÓGIAI FEGYVEREK FEJLESZTÉSÉT VAGY GYÁRTÁSÁT, VALAMINT BÁRMILYEN, ROBBANÁSVESZÉLYES VAGY NEM BIZTONSÁGOS NUKLEÁRIS HASADÓANYAG-CIKLUSSAL KAPCSOLATOS TEVÉKENYSÉGET, ILLETVE EMBERI JOGI VISSZÁELÉKEZET TÁMOGATÓ MÓDON TÖRTÉNŐ FELHASZNÁLÁST.

HA A JELEN KÉZIKÖNYV ÉS A HATÁLYOS TÖRVÉNY KÖZÖTT ELLENTMONDÁS TAPASZTALHATÓ, AKKOR AZ UTÓBBI A MÉRVAÓ.

#### Szabályozással kapcsolatos információk

Ezek a cikkek kizárólag a megfelelő jelt vagy információt viselő termékekre vonatkoznak.

#### EU megfelelőségi nyilatkozat

**CE** Ez a termék és tartozékai (amennyiben vannak) „CE” jelöléssel vannak ellátva, ezáltal megfelelnek a következő irányelvekben foglalt harmonizált európai szabványoknak: 2014/30/EU (EMC-irányelv), 2014/35/EU (LVD-irányelv), 2011/65/EU (RoHS-irányelv).

**2012/19/EU (WEEE-irányelv):** Az ezzel a jelzéssel ellátott termékek nem lehet szelektálatlan kommunális hulladékként elhelyezni az Európai Unióban. A megfelelő újrahasznosítás érdekében vigye vissza ezt a terméket helyi beszállítóhoz, amikor új, egyenértékű berendezést vásárol, vagy adja le a kijelölt gyűjtőhelyekre. További információk: [www.recyclethis.info](http://www.recyclethis.info)



A 2006/66/EK irányelv, valamint 2013/56/EU számú módosítása (akkumulátorokra vonatkozó irányelv): Ez a termék olyan elemet tartalmaz, amelyet nem lehet szelektálatlan kommunális hulladékként elhelyezni az Európai Unióban. A

termékdokumentációban további információkat talál az elemről. Az elem ezzel a jelzéssel van ellátva. A jelzésen megtalálhatók lehetnek a kadmiumot (Cd), ólmot (Pb) vagy higanyt (Hg) jelző betűjelek. A megfelelő újrahasznosítás érdekében vigye vissza ezt a terméket a beszállítójához, vagy vigye egy kijelölt gyűjtőhelyre. További információért keresse fel az alábbi honlapot: [www.recyclthis.info](http://www.recyclthis.info).

#### Figyelmeztetés

Ez egy A osztályú termék. Lakókörnyezetben rádióhullámú zavart okozhat, amely esetben a felhasználó számára előírható a megfelelő intézkedések megtétele.

#### Biztonsági utasítások



#### Figyelmeztetések

##### Törvények és szabályok

Az eszközt a helyi törvények, elektromos biztonsági és tűzvédelmi előírások betartásával kell használni.

##### Elektromos biztonság

VIGYÁZAT: A tűzveszély csökkentése érdekében csak azonos típusú és névleges értékű cserebiztosítót használjon.

A készüléket szünetmentes tápegységgel kell telepiteni az újraindítás kockázatának elkerülése érdekében.

A berendezést földelt hálózati aljzatra kell csatlakoztatni.

A berendezésbe külsőleg be kell építeni egy megfelelő névleges teljesítményű, könnyen hozzáférhető szétkapcsoló eszközt.

A berendezésbe külsőleg be kell építeni egy megfelelő névleges teljesítményű túláramvédelmi eszközt, amely nem haladja meg az épület specifikációt.

Az épület elektromos hálózatának tartalmaznia kell egy minden pólust megszakító főkapcsolót.

##### Akkumulátor

Ez a készülék nem használható olyan helyen, ahol gyermekek lehetnek jelen.

VIGYÁZAT: Az akkumulátor nem megfelelő típusúra cserélése robbanásveszélyt idézhet elő.

Az akkumulátor nem megfelelő típusossal történő helyettesítése hatástalanná teheti egy biztonsági berendezést (például bizonyos típusú lítiumion-akkumulátorok esetében).

Tilos az akkumulátort tűzbe vagy forró sütőbe tenni, illetve az akkumulátort összeűzni vagy felválni, mert ez robbanást okozhat.

Tilos az akkumulátort rendkívül magas környezeti hőmérsékletnek kitenni, mert ez robbanást, illetve gyúlékony folyadék vagy gáz szivárgását idézheti elő.

Tilos az akkumulátort rendkívül alacsony légnománsnak kitenni, mert ez robbanást, illetve gyúlékony folyadék vagy gáz szivárgást okozhatja.

A használt akkumulátorok hulladékkezelésekor kövesse az utasításokat.



#### Vigyázat!

##### Elektromos biztonság

Ügyeljen a váltakozóáramú hálózati feszültségforrásokhoz csatlakozó érintkezők megfelelő bekötésére.

A készülék úgy van kialakítva, hogy szükség esetén IT besorolású tápfeszültség-elosztó rendszerhez csatlakoztatható.

##### Tűzvédelmi előírások

Tilos a készülékben nyílt lángforrást, pl. gyertyát elhelyezni.

A készülék soros portja kizárólag hibakeresésre szolgál.

##### Forró felületek

VIGYÁZAT: Forró részek! Az alkatrészek megérintése esetén az ujjak égési sérülésének veszélye áll fenn.

**WARNING**  
HOT SURFACE  
DO NOT TOUCH

Ez a címke azt jelöli, hogy a jelölt elem forró lehet, és csak kellő elővigyázatossággal szabad megérinteni. Az eszköz kikapcsolását követően várjon fél órát, mielőtt ezekhez a

részekhez érne.

A matricával megjelölt eszközöket korlátozottan hozzáférhető helyeken történő használatra tervezték. Hozzáférés csak a szervizszemélyzet vagy olyan felhasználók számára engedélyezett, akiket tájékoztattak a beépítési hely korlátozott hozzáférhetőségének okáról, valamint a szükséges övintézkedésekről.

#### Telepítés

A készülék telepítését az ebben az útmutatóban leírtak szerint végezze.

Győződjön meg arról, hogy az eszköz és tartozékai telepítéséhez elegendő szabad hely áll rendelkezésre.

Ellenőrizze, hogy a fal képes-e megtartani a kamera és a tartóelem súlyának legalább nyolcszorosát.

A készülék bekötése, telepítése vagy szétszerelése előtt győződjön meg a készülék feszültségmentességéről.

#### Szállítás

Szállítás alkalmával tartsa a terméket az eredeti vagy ahhoz hasonló csomagolásban.

Ne ejtse le és ne tegye ki ütődésnek a készüléket.

#### Tápellátás

Az áramforrásnak teljesítenie kell a korlátozott áramforrásokra vonatkozó előírásokat vagy az IEC 60950-1 vagy IEC 62368-1 szabvány PS2 előírásait.

Az előírt tápfeszültséget a készüléken címkejétt találja.

Győződjön meg arról, hogy tápegysége megfelelő az eszköz számára.

Minősített gyártók hálózati adaptert használja. Minden készülékhez független hálózati adapter használatra javasolt, mert az adapter túlterhelése túlmelegedéshez vezethet, és tűzveszélyt idézhet elő.

#### Rendszerbiztonság

Ne feledje, hogy az Ön felelőssége az eszközökhöz kapcsolódó összes jelszó és egyéb biztonsági beállítás megadása, valamint felhasználónevének és jelszavának biztonságos megőrzése.

#### Karbantartás

Ha a termék nem működik megfelelően, forduljon a kereskedőjéhez vagy a legközelebbi szervizközpontozhoz. Nem vállalunk felelősséget az illetéktelen javításból vagy karbantartásból eredő károkról.

A készülék néhány alkatrésze (pl. elektrolit kondenzátor) rendszeres cserét igényel. Ezek átlagos élettartama változó, ezért rendszeres ellenőrzés ajánlott. Részletekért forduljon a forgalmazóhoz.

#### Tisztítás

A belső és külső felületek tisztításához használjon puha és száraz ruhát. Ne használjon lúgos tisztítószereket.

#### Használati környezet

Ha bármilyen lézerekészüléket használ, biztosítsa, hogy a készülék lencséjét ne érje a lézersugár, különben az kiegészít.

Ne irányítsa az objektívet a Nap vagy más erős fényforrás irányába.

A hő felhalmozódásának elkerülése érdekében a megfelelő üzemi környezethez elégséges szellőztést kell biztosítani.

NE tegye ki a készüléket szélsőségesen forró, hideg, poros, korrozív, sós, lúgos vagy nedves környezet hatásának. A hőmérsékletre és páratartalomra vonatkozó előírásokat a készülék műszaki adataiban találja.

NE TEGYE ki a készüléket erős elektromágneses sugárzásnak.

#### Reflektor

Győződjön meg arról, hogy nincs tükröződő felület a kamera optikájának közelében. A kamera által sugárzott infravörös fény visszatükröződhet az optikába, és reflexiót okozhat.

A termék potenciálisan veszélyes fény sugarat bocsát ki. NE nézzen a működő fényforrásba. Ez szemkárosodást okozhat.

Ha megfelelő árnyékolás vagy szemvédelem nem áll rendelkezésre, csak biztonságos távolságból kapcsolja be a lámpát, olyan helyen, amely nincs közvetlenül kitéve a fénynek a készülék beszerelésekor vagy karbantartásakor.

#### Vészhelyzet


Ha a készülék füstöt, furcsa szagot vagy zajt bocsát ki, azonnal kapcsolja ki, húzza ki a tápkábelt, majd forduljon a szervizközpontozhoz.

#### Időszinkronizálás

Ha a helyi idő hálózati idővel való szinkronizálása nem

történik meg, akkor az eszköz idejét kézzel kell beállítani. Webböngészőn/kliensszoftveren keresztül nyissa meg az eszközt, majd lépjen az időbeállítás felületre.

Polski

 Przed skorzystaniem z urządzenia należy uważnie przeczytać ten podręcznik.

Rysunki przedstawiające wygląd produktu mają wyłączny charakter orientacyjny i mogą różnić się od rzeczywistego wyglądu urządzenia.

#### **Symbolne i oznaczenia (str. 1 – A)**

1. Uwaga
2. Ostrzeżenie
3. Zabronione
4. Prawidłowo
5. Nieprawidłowo
6. Przejdź do kroku A i kontynuuj.
7. Akcesoria opcjonalnie uwzględniane w pakiecie z produktem. / Zmienna liczba akcesoriów. / Pomiar ten krok, jeżeli nie jest wymagany.
8. Karta microSD
9. Masa/uziemienie
10. Utylizacja
11. Nabywane oddzielenie
12. Możliwe opcje

#### **Elementy urządzenia (str. 2 – B)**

#### **Akcesoria i interfejs (str. 4 – C)**

- ① Przycisk resetowania: Naciśnij przycisk resetowania i przytrzymaj go przez około 10 sekund podczas włączania zasilania lub ponownego uruchamiania kamery, aby przywrócić ustawienia domyślne, takie jak nazwa użytkownika, hasło, adres IP lub numer portu.
- ② Gniazdo karty pamięci
- ③ Złącze sieciowe
- ④ Złącze zasilania
- ⑤ Złącze audio
- ⑥ Złącze RS-485 i zasilania
- ⑦ Interfejs alarmowy
- ⑧ Maza

#### **Instalowanie kamery (str. 7 – D)**

#### **Wyjście alarmowe (str. 14 – E)**

- ① Wyjście przekaźnikowe
- ② Obciążenie DC
- ③ Zasilanie
- ④ Przełącznik JQC-3FG

#### **Zabezpieczenie instalacji poza budynkami (str. 14 – F1)**

#### **Aktywacja i dostęp do kamery sieciowej (str. 14 – F2)**

©2023 Hangzhou Hikvision Digital Technology Co., Ltd.

Wszystkie prawa zastrzeżone.

#### **Opis podręcznika**

Podręcznik zawiera instrukcje dotyczące korzystania z produktu i obchodzenia się z tym. Zdjęcia, rysunki, wykresy i pozostałe informacje zamieszczonych w tym dokumencie wyłącznie dla celów informacyjnych i opisowych. Informacje zamieszczone w podręczniku mogą ulec zmianie bez powiadomienia w związku z aktualizacjami oprogramowania układowego lub w innych okolicznościach. Najnowsza wersja tego podręcznika jest dostępna w witrynie internetowej firmy Hikvision (<https://www.hikvision.com/>). Oprócz tego podręcznika należy korzystać z porad specjalistów z działu pomocy technicznej związanej z produktem.

#### **Znaki towarowe**

**HIKVISION** oraz inne znaki towarowe i logo Hikvision są własnością firmy Hikvision w różnych jurysdykcjach.

Inne znaki towarowe i logo użyte w podręczniku należą do odpowiednich właścicieli.

#### **ZASTRZEŻENIA PRAWNE**

W PEŁNYM ZAKRESIE DOZWOLOWYM PRZEZ OBOWIĄZUJĄCE PRAWO TEN PODRĘCZNIK, OPISANY PRODUKT I ZWIĄZANE Z NIM WYPOSAŻENIE ORAZ OPROGRAMOWANIE

APLIKACYJNE I UKŁADOWE SĄ UDOSTĘPNIANE BEZ GWARANCJI. FIRMA HIKVISION NIE UDZIELA ŻADNYCH WYRAŹNYCH ANI DOROZUMIANYCH GWARANCJI, TAKICH JAK GWARANCJE DOTYCZĄCE PRZYDATNOŚCI HANDLOWEJ, JAKOŚCI LUB PRZYDATNOŚCI DO OKREŚLONEGO CELU. UŻYTKOWNIK KORZYSTA Z PRODUKTU NA WŁASNE RYZYKO. NIEZALEŻNIE OD OKOLICZNOŚCI FIRMA HIKVISION NIE PONOSI ODPOWIEDZIALNOŚCI ZA STRATY SPECJALNE, NASTĘPCZE, UBOCZNE LUB POŚREDNIE, TAKIE JAK STRATA OCZEKIWANYCH ZYSKÓW Z DZIAŁALNOŚCI BIZNESOWEJ, PRZERWY W DZIAŁALNOŚCI BIZNESOWEJ, USZKODZENIE SYSTEMÓW ALBO STRATA DANYCH LUB DOKUMENTACJI, WYNIKAJĄCE Z NARUSZENIA UMOWY, PRZEWINIENIA (ŁĄCZNIE Z ZANIEDBANIEM), ODPOWIEDZIALNOŚCI ZA PRODUKT LUB INNYCH OKOLICZNOŚCI, ZWIĄZANE Z UŻYCIEM TEGO PRODUKTU, NAWET JEŻELI FIRMA HIKVISION ZOSTAŁA POINFORMOWANA O MOŻLIWOŚĆ WYSTĄPIENIA TAKICH SZKÓD LUB STRAT. UŻYTKOWNIK PRZYJMUJE DO WIADOMOŚCI, ŻE KORZYSTANIE Z INTERNETU JEST ZWIĄZANE Z ZAGROZENIAMI DLA BEZPIECZEŃSTWA, A FIRMA HIKVISION NIE PONOSI ODPOWIEDZIALNOŚCI ZA NIEPRAWIDŁOWE FUNKCJONOWANIE, WYCIĘK POUFNYCH INFORMACJI LUB INNE SZKODY WYNIKAJĄCE Z ATAKU CYBERNETYCZNEGO, ATAKU HAKERA, DZIAŁANIA WIRUSÓW LUB INNYCH ZAGROZEŃ DLA BEZPIECZEŃSTWA W INTERNECIE. FIRMA HIKVISION ZAPEWNI JEDNAK TERMINOWĄ POMOC TECHNICZną, JEŻELI BĘDZIE TO WYMAGANE.

UŻYTKOWNIK ZOBOWIĄZUJE SIĘ DO KORZYSTANIA Z PRODUKTU ZGODNIE Z PRZEPISAMI I PRZYJMUJE DO WIADOMOŚCI, ŻE JEST ZOBOWIĄZANY DO ZAPEWNIENIA ZGODNOŚCI UŻYCIA PRODUKTU Z PRZEPISAMI. W SZCZEGÓLNOŚCI UŻYTKOWNIK JEST ZOBOWIĄZANY DO KORZYSTANIA Z PRODUKTU W SPOBÓB, KTÓRY NIE NARUSZA PRAW STRON TRZECICH, DOTYCZĄCYCH NA PRZYKŁAD WIZERUNKU KOMERCYJNEGO, WŁASNOŚCI INTELEKTUALNEJ LUB OCHRONY DANYCH I PRYWATNOŚCI. UŻYTKOWNIK NIE BĘDZIE UŻYWAĆ PRODUKTU DO CEŁÓW ZABRONIONYCH, TAKICH JAK OPRACOWANIE LUB PRODUKCJA BRONI MASOWEGO RAŻENIA ALBO BRONI CHEMICZNEJ LUB BIOLOGICZNEJ ORAZ DZIAŁANIA ZWIĄZANE Z WYBUCHOWYMI MATERIAŁAMI NUKLEARNYMI, NIEBEZPIECZNYM CYKLEM PALIWOWYM LUB ŁAMANIEM PRAW CZŁOWIEKA.

W PRZYPADKU NIEZGODNOŚCI NINIEJSZEGO PODRĘCZNIKA Z OBOWIĄZUJĄCYM PRAWEM, WYŻSZY PRIORYTET BĘDZIE MIAŁO OBOWIĄZUJĄCE PRAWO.

#### **Informacje dotyczące przepisów**

**Te klauzule dotyczą tylko produktów z odpowiednimi oznaczeniami lub etykietami.**

#### **Deklaracja zgodności z dyrektywami Unii Europejskiej**



Ten produkt i ewentualnie dostarczone z nim akcesoria oznaczone symbolem „CE” potwierdzającym zgodność z odpowiednimi ujednoliconymi normami europejskimi, uwzględnionymi w dyrektywie 2014/30/EU dotyczącej kompatybilności elektromagnetycznej (EMC), dyrektywie 2014/35/EU dotyczącej sprzętu elektrycznego przewidzianego do stosowania w określonych granicach napięcia (LVD) i dyrektywie 2011/65/EU w sprawie ograniczenia stosowania niektórych niebezpiecznych substancji w sprzęcie elektrycznym i elektronicznym (RoHS).



Dyrektywa 2012/19/EU w sprawie użytego sprzętu elektrycznego i elektronicznego (WEEE): Produktów oznaczonych tym symbolem nie wolno utylizować na obszarze Unii Europejskiej jako niesegregowane odpady komunalne. Aby zapewnić prawidłowy recykling tego produktu, należy zwrócić go do lokalnego dostawcy przy zakupie równoważnego nowego urządzenia lub utylizować go w wyznaczonym punkcie selektywnej zbiórki odpadów. Aby uzyskać więcej informacji, zobacz [www.recyclethis.info](http://www.recyclethis.info)





Dyrektywa 2006/66/EC w sprawie baterii i akumulatorów i zmieniająca ją dyrektywa 2013/56/EU: Ten produkt zawiera baterie, które nie wolno utylizować na obszarze Unii Europejskiej jako niesegregowane odpady komunalne.

Szczegółowe informacje dotyczące baterii zamieszczone w dokumentacji produktu. Bateria jest oznaczona tym symbolem, który może także zawierać litery wskazujące na zawartość kadmu (Cd), ołowiu (Pb) lub rtęci (Hg). Aby zapewnić prawidłowy recykling baterii, należy zwrócić ją do dostawcy lub przekazać do wyznaczonego punktu zbiórki. Aby uzyskać więcej informacji, skorzystaj z witryny internetowej: [www.recyclethis.info](http://www.recyclethis.info).

#### Ostrzeżenie

To jest produkt klasy A. W budynkach mieszkalnych ten produkt może powodować szkodliwe zakłócenia radiowe. W takich okolicznościach użytkownik jest zobowiązany do zastosowania adekwatnych środków zaradczych.

#### Zalecenia dotyczące bezpieczeństwa



#### Ostrzeżenia

##### Przepisy i rozporządzenia

Urządzenie powinno być użytkowane zgodnie z lokalnymi przepisami, rozporządzeniami dotyczącymi korzystania z wyposażenia elektrycznego i przepisami przeciwpożarowymi.

##### Bezpieczeństwo elektryczne

**PRZESTROGA:** Aby ograniczyć zagrożenie pożarowe, należy używać bezpieczników tego samego typu i o takich samych parametrach znamionowych.

To wyposażenie należy zainstalować z zasilaczem awaryjnym UPS, aby zapobiec zagrożeniu związanemu z przypadkowym ponownym uruchomieniem.

Urządzenie musi być podłączone do uzziemionego gniazda sieci elektrycznej.

Na linii zasilającej urządzenie należy zainstalować łatwo dostępną odłącznik o odpowiednich parametrach znamionowych.

Urządzenie należy podłączyć do wyposażenia o odpowiednich parametrach znamionowych, zabezpieczającego przed zbyt wysokim natężeniem prądu elektrycznego, zgodnego ze specyfikacjami instalacji budynku.

Przełącznik umożliwiający odłączenie wszystkich przewodów linii zasilającej powinien być używany w instalacji elektrycznej budynku.

##### Bateria

Urządzenie nie powinno być używane w lokalizacjach, w których mogą przebywać dzieci.

**PRZESTROGA:** Zainstalowanie nieodpowiedniej baterii może spowodować wybuch.

Zainstalowanie nieodpowiedniej baterii może spowodować zagrożenie (dotyczy to na przykład niektórych baterii litowych).

Wrzucenie baterii do ognia lub rozgrzanego pieca albo zgniecenie lub przecięcie baterii może spowodować wybuch.

Wysoka temperatura w otoczeniu może spowodować wybuch baterii albo wyciek palnej cieczy lub gazu.

Ekstremalnie niskie ciśnienie powietrza w otoczeniu może spowodować wybuch baterii albo wyciek palnej cieczy lub gazu.

Zużyte baterie należy utylizować zgodnie z instrukcjami.



#### Przeestrogi

##### Bezpieczeństwo elektryczne

Należy upewnić się, że przewody są prawidłowo podłączone do złączy sieci elektrycznej.

Urządzenie zostało zaprojektowane w sposób umożliwiający przystosowanie do zasilania z sieci elektrycznej w konfiguracji IT.

##### Ochrona przeciwpożarowa

Nie wolno umieszczać na urządzeniu źródeł nieosłoniętego płomienia, takich jak zapalone świece.

Złącze szeregowe urządzenia jest używane wyłączanie

do debugowania.

#### Goście elementy

**PRZESTROGA:** Gorące podzespoły! Dotknięcie gorących podzespołów może spowodować oparzenie palców.



Podzespoły oznaczone tą etykietą mogą być gorące, dlatego należy obchodzić się z nimi ostrożnie. Po wyłączeniu zasilania należy odczekać pół godziny przed dotknięciem podzespołów urządzenia.

Urządzenie z tą naklejką jest przeznaczone do instalacji w warunkach ograniczonego dostępu. Dostęp może uzyskać tylko personel serwisowy lub użytkownicy poinformowani o celach ograniczenia dostępu do danej lokalizacji i stosowanych środkach ostrożności.

#### Instalacja

Urządzenie należy zainstalować zgodnie z instrukcjami podanymi w tym podręczniku.

Należy upewnić się, że dostępne jest miejsce wymagane do instalacji urządzenia i akcesoriów.

Ściana powinna być przystosowana do obciążenia co najmniej ośmiokrotnie większego niż ciężar kamery z uchwytem.

Przed podłączeniem, instalacją lub demontażem urządzenia należy odłączyć zasilanie urządzenia.

#### Transport

Podczas transportu urządzenie powinno być umieszczone w oryginalnym lub podobnym opakowaniu.

Należy chronić urządzenie przed uderzeniami mechanicznymi.

#### Zasilanie

Źródło zasilania powinno spełniać wymagania dotyczące źródeł zasilania z własnym ograniczeniem (LPS) lub wymagania PS2 zgodnie z normą IEC60950-1 lub IEC62368-1.

Informacje dotyczące standardowego zasilania podano na tabliczce znamionowej urządzenia. Należy upewnić się, że zasilanie jest zgodne ze specyfikacjami urządzenia.

Należy korzystać z zasilaczy dostarczonych przez wykwalifikowanych producentów. Zalecane jest użycie oddzielnego zasilacza dla każdego urządzenia, ponieważ przeciętanie zasilacza może spowodować przegrzanie lub pożar.

#### Zabezpieczenia systemu

Użytkownik jest zobowiązany do skonfigurowania wszystkich haseł i ustawień zabezpieczeń urządzenia oraz ochrony własnej nazwy użytkownika i hasła.

#### Konserwacja

Jeżeli produkt nie działa prawidłowo, skontaktuj się z dystrybutorem lub najbliższym centrum serwisowym.

Producent nie ponosi odpowiedzialności za problemy spowodowane przez nieautoryzowane prace naprawcze lub konserwacyjne.

Konieczna jest regularna wymiana kilku podzespołów urządzenia (np. kondensatora elektrolitycznego).

Przeciętny okres użytkowania może być różny, dlatego zalecane jest regularne sprawdzanie stanu technicznego podzespołów. Aby uzyskać więcej informacji, należy skontaktować się z dystrybutorem.

#### Czyszczenie

Należy czyścić elementy wewnętrzne i zewnętrzne miękką, suchą ściereczką. Nie wolno stosować zasadowych środków czyszczących.

#### Warunki otoczenia

Jeżeli używane jest wyposażenie laserowe, należy upewnić się, że obiektu urządzenia nie jest oświetlany przez wiązkę lasera, ponieważ może to spowodować jego spalanie.

Nie wolno kierować obiektywem w stronę słońca lub innego źródła intensywnego światła.

Aby zapobiec akumulacji ciepła, należy zapewnić odpowiednią wentylację urządzenia.

NIE wolno narażać urządzenia na ekstremalnie wysokie lub niskie temperatury, kurz, substancje korozyjne, roztwory soli, zasady lub wilgoć. Aby ustalić wymagania dotyczące temperatury i wilgotności, skorzystaj ze specyfikacji urządzenia.

Należy chronić urządzenie przed silnym promieniowaniem elektromagnetycznym.

## Oświetlenie

Żadne elementy odbłaskowe nie powinny znajdować się zbyt blisko obiektywu kamery. Promieniowanie podczerwone z kamery może być odbijane wstecz do obiektywu.

Produkt emituje światło widzialne, które może być szkodliwe. NIE wolno spoglądać bezpośrednio w wiązkę światła. Może to spowodować zranienie oczu.

Jeżeli odpowiednia osłona lub zabezpieczenie oczu nie jest dostępne, należy włączyć oświetlenie tylko w bezpiecznej odległości albo w lokalizacji, w która nie jest bezpośrednio narażona na intensywne światło podczas instalacji lub konserwacji urządzenia.

## Poważne awarie

Podczas pierwszego dostępu można ręcznie ustawić czas urządzenia, jeżeli nie jest on zsynchronizowany z czasem sieci. Należy wyświetlić okno ustawień czasu urządzenia przy użyciu przeglądarki internetowej / oprogramowania klienckiego.

## Synchronizacja czasu

Podczas pierwszego dostępu można ręcznie ustawić czas urządzenia, jeżeli nie jest on zsynchronizowany z czasem sieci.

Należy wyświetlić okno ustawień czasu urządzenia przy użyciu przeglądarki internetowej / oprogramowania klienckiego.

## Română

 Citiiți acest manual înainte de a utiliza produsul.

Aspectul produsului are doar valoare de referință și poate diferi de produsul real.

## Simboluri și semne (Pagina 1 – A)

1. Notificare
2. Avertisment
3. Interzis
4. Corect
5. Incorect
6. Treceți la pasul A și continuați.
7. Accesoriul nu este neapărat inclus. / Număr variabil de accesorii. / Omiteti acest pas dacă nu este necesar.
8. Card MicroSD
9. Împământare
10. Eliminarea
11. Cumpărați separat
12. Opțiuni posibile

## Aspect (Pagina 2 - B)

### Accesorii și interfață (Pagina 4 - C)

- ① Buton Resetare: Apăsați butonul de resetare timp de aproximativ 10 s când aparatul folte pornește sau repornește pentru a restabili setările implicite, inclusiv numele de utilizator, parola, adresa IP, nr. portului etc.
- ② Slot pentru card de memorie
- ③ Interfață de rețea
- ④ Interfață de alimentare
- ⑤ Interfață audio
- ⑥ RS-485 și interfață de alimentare
- ⑦ Interfață de alarmă
- ⑧ GND

### Instalați camera (Pagina 7 - D)

#### Înșurubare alarmă (Pagina 14 – E)

- ① Înșurubare releu
- ② Sarcină c.c
- ③ Sursă de alimentare
- ④ Releu JQC-3FG

#### Măsurile de protecție pentru instalarea în exterior (Pagina 14 - F1)

#### Activați și accesați camera de rețea (Pagina 14 – F2)

©2023 Hangzhou Hikvision Digital Technology Co., Ltd. Toate drepturile rezervate.

## Despre acest Manual

Manualul include instrucțiuni pentru utilizarea și gestionarea Produsului. Fotografii, diagramele, imaginile și toate

celelalte informații de mai jos sunt doar pentru descriere și explicații. Informațiile conținute în Manualul pot fi modificate, fără notificare prealabilă, din cauza actualizărilor firmware-ului sau din alte motive. Vă rugăm să găsiți cea mai recentă versiune a acestui manual pe site-ul web Hikvision (<https://www.hikvision.com/>).

Vă rugăm să folosiți acest Manual sub îndrumarea și cu asistența unor profesioniști instruiți în domeniul asistenței pentru produs.

## Mărci comerciale

**HIKVISION** și alte mărci comerciale și sigle ale Hikvision reprezintă proprietatea Hikvision în diferite jurisdicții.

Alte mărci comerciale și logo-uri menționate sunt proprietățile proprietarilor respectivi.

## DISCLAIMER

ÎN MĂSURA MAXIMĂ PERMIȘĂ DE LEGISLAȚIA APLICABILĂ, ACEST MANUAL ȘI PRODUSUL DESCRIS, ÎMPREUNĂ CU HARDWARE-UL, SOFTWARE-UL ȘI FIRMWARE-UL SĂU, SUNT FURNIZATE „CA ATARE” ȘI „CU TOATE DEFECTELE ȘI ERORILE”. HIKVISION NU OFERĂ NICIO GARANȚIE, EXPRESĂ SAU IMPLICITĂ, INCLUSIV, DAR FĂRĂ A SE LIMITA LA, COMERCIALIZAREA, CALITATEA SĂTISFĂCĂTOARE SAU ADECVAREA LA UN ANUMIT SCOP. UTILIZAREA PRODUSULUI DE CĂTRE DV.S. ESTE PE PROPRIU RISC. ÎN NICI UN CAZ HIKVISION NU VA FI RESPONSABIL FAȚĂ DE DV.S. PENTRU ORICE DAUNE SPECIALE, CONSECVENTE, ACCIDENTALE SAU INDIRECTE, INCLUSIV, PRINTRE ALTELE, DAUNE PENTRU PIERDEREA PROFITURILOR DIN AFACERI, ÎNTRERUPEREA ACTIVITĂȚII SAU PIERDEREA DATELOR, CORUPȚIA SISTEMELOR SAU PIERDEREA DOCUMENTAȚIEI, FIE CĂ SE BAZEAZĂ PE ÎNCĂLCAREA CONTRACTULUI, DELICT (INCLUSIV NEGLIJENȚA), RĂSPUNDEREA PRODUSULUI SAU ÎN ALT MOD, ÎN LEGĂTURĂ CU UTILIZAREA PRODUSULUI, CHIAR DACĂ HIKVISION A FOST INFORMAT CU PRIVIRE LA POSIBILITATEA UNOR ASTFEL DE DAUNE SAU PIERDERI.

RECUNOAȘTEȚI CĂ NATURA INTERNETULUI IMPLICĂ RISCURILE DE SECURITATE INERENTE, IAR HIKVISION NU ÎȘI ASUMĂ NICIO RESPONSABILITATE PENTRU FUNCȚIONAREA ANORMALĂ, SCURGEREA DE INFORMAȚII PRIVATE SAU ALTE DAUNE REZULTATE DIN ATACURI CIBERNETICE, ATACURI ALTE HACKERILOR, INFECȚII CU VIRUȘI SAU ALTE RISCURILE DE SECURITATE PE INTERNET; CU TOATE ACESTEA, HIKVISION VA OFERI ASISTENȚĂ TEHNICĂ ÎN TIMP UTIL, DACĂ ESTE NECESAR.

SUNTEȚI DE ACORD SĂ UTILIZAȚI ACEST PRODUS ÎN CONFORMITATE CU TOATE LEGILE APLICABILE ȘI SUNTEȚI SINGURUL RESPONSABIL PENTRU A VĂ ASIGURA CĂ UTILIZAREA DV.S. ESTE ÎN CONFORMITATE CU LEGISLAȚIA APLICABILĂ. ÎN SPECIAL, SUNTEȚI RESPONSABIL, PENTRU UTILIZAREA ACESTUI PRODUS ÎNTR-UN MOD CARE NU ÎNCALCĂ DREPTURILE TERȚILOR, INCLUSIV, FĂRĂ LIMITARE, DREPTURILE DE PUBLICITATE, DREPTURILE DE PROPRIETATE INTELECTUALĂ SAU PROTEȚIA DATELOR ȘI ALTE DREPTURI DE CONFIDENȚIALITATE. NU VEȚI UTILIZA ACEST PRODUS PENTRU UTILIZĂRI FINALE INTERZISE, INCLUSIV PENTRU DEZVOLTAREA SAU PRODUCEREA DE ARME DE DISTRUGERE ÎN MASĂ, DEZVOLTAREA SAU PRODUCEREA DE ARME CHIMICE SAU BIOLOGICE, ORICE ACTIVITĂȚI ÎN CONTEXTUL ORICĂRUI CICLU NUCLEAR EXPLOZIV SAU NESIGUR AL COMBUSTIBILULUI NUCLEAR SAU ÎN SPRIJINUL OAMENILOR ABUZURI DE DREPTURI.

ÎN CAZUL UNOR CONFLICTE ÎNTRE ACEST MANUAL ȘI LEGEA APLICABILĂ, ACESTA DIN URMĂ PREVALEAZĂ.


## Informații de reglementare

---

Aceste clauze se aplică numai produselor care poartă marca sau informațiile corespunzătoare.

---

## Declarație de conformitate UE

 Acest produs și - dacă este cazul - accesoriile furnizate sunt marcate „CE”, prin urmare, respectă standardele europene armonizate aplicabile, enumerate în conformitate cu Directiva 2014/30/UE (Directiva EMC), Directiva privind tensiunea joasă 2014/35/UE, Directiva 2011/65/UE – ROHS.





2012/19/UE (directiva DEEE): Produsele marcate cu acest simbol nu pot fi aruncate ca deșeuri municipale nesortate în Uniunea Europeană. Pentru o reciclare adecvată, returnați acest produs furnizorului local la achiziționarea unui echipament nou echivalent sau aruncați-l la punctele de colectare desemnate. Pentru mai multe informații, consultați: [www.recyclethis.info](http://www.recyclethis.info)



2006/66/CE și modificarea acesteia 2013/56/UE (directiva privind bateriile): Acest produs conține o baterie care nu poate fi eliminată ca deșeu municipal nesortat în Uniunea Europeană. Consultați documentația produsului pentru informații specifice despre baterie. Bateria este marcată cu acest simbol, care poate include litere pentru a indica cadmiu (Cd), plumb (Pb) sau mercur (Hg). Pentru o reciclare corectă, returnați bateria furnizorului dvs. sau la un punct de colectare desemnat. Pentru mai multe informații, consultați: [www.recyclethis.info](http://www.recyclethis.info).

#### Avertisment

Acesta este un produs Clasa A. În mediul casnic, acest produs poate provoca interferențe radio, caz în care este posibil ca utilizatorul să trebuiască să ia măsurile adecvate.

#### Instrucțiuni de siguranță



#### Avertismente

##### Legi și reglementări

Dispozitivul trebuie utilizat în conformitate cu legile locale, reglementările privind siguranța electrică și reglementările privind prevenirea incendiilor.

##### Siguranță electrică

**ATENȚIE:** Pentru a reduce riscul de incendiu, înlocuiți numai cu același tip și rating de siguranță.

Acest echipament trebuie instalat împreună cu UPS-ul pentru a evita riscul repornirii.

Echipamentul trebuie conectat la o priză de rețea împământată.

Un dispozitiv de deconectare ușor accesibil, cu capacitatea nominală corespunzătoare, trebuie să fie încorporat în exteriorul echipamentului.

Un dispozitiv de protecție împotriva supraalimentării cu o valoare nominală adecvată trebuie încorporat în exteriorul echipamentului care nu depășește specificațiile clădirii.

În instalația electrică a clădirii se va încorpora un întrerupător de alimentare multipolar.

##### Baterie

Acest echipament nu este adecvat pentru utilizarea în locații în care este posibil să fie prezenți copii.

**ATENȚIE:** Risc de explozie dacă bateria este înlocuită cu una de tip incorect.

Înlocuirea necorespunzătoare a bateriei cu un tip incorect poate anula o protecție (de exemplu, în cazul unor tipuri de baterii cu litiu).

Nu aruncați bateria în foc sau într-un cuptor încins și nici nu zdrobiți sau tăiați mecanic bateria, deoarece aceasta poate provoca o explozie.

Nu lăsați bateria într-un mediu înconjurător cu temperaturi extrem de ridicate, ceea ce poate duce la o explozie sau la scurgerea de lichid sau gaz inflamabil.

Nu supuneți bateria la o presiune extrem de scăzută a aerului, care poate duce la o explozie sau la scurgerea de lichid sau gaz inflamabil.

Aruncați bateriile uzate în conformitate cu instrucțiunile.



#### Atenționări

##### Siguranță electrică

Asigurați-vă că terminalele sunt cablate corect pentru conectarea la o rețea de alimentare cu curent alternativ. Echipamentul a fost proiectat și, atunci când este necesar, modificat pentru conectarea la un sistem de distribuție a energiei IT.

##### Prevenire incendiu

Nu trebuie plasate pe echipament surse de flăcăr goală, cum ar fi lumânările aprinse.

Portul serial al echipamentului este utilizat doar pentru

depanare.

#### Suprafață fierbinte

**ATENȚIE:** Componente fierbinți! Degete arse la manipularea pieselor.



Acest autocolant indică faptul că articolele marcate pot fi fierbinți și nu trebuie atinse fără precauție. Așteptați o jumătate de oră după ce opriți dispozitivul, înainte de a

manipula piesele.

Dispozitivul cu acest autocolant este destinat instalării într-o locație cu acces restricționat. Accesul poate fi obținut numai de către persoanele de serviciu sau de către utilizatorii care au fost instruiți cu privire la motivele restricțiilor aplicate locației și despre orice precauții care trebuie luate.

#### Instalare

Instalați echipamentul conform instrucțiunilor din acest manual.

Asigurați-vă că există suficient spațiu de instalare a dispozitivului și a accesoriilor.

Asigurați-vă că peretele este suficient de puternic pentru a rezista de cel puțin 8 ori greutatea camerei și a suportului.

Asigurați-vă că, înainte de a conecta, a instala sau a dezasambla dispozitivul, acesta a fost, în prealabil, deconectat de la sursa de alimentare electrică.

#### Transport

Păstrați dispozitivul în ambalajul original sau similar în timpul transportului.

Nu scăpați produsul și nu-l supuneți șocurilor fizice.

#### Sursa de alimentare

Sursa de alimentare trebuie să îndeplinească cerințele sursei de alimentare limitată sau cerințele PS2 conform standardului IEC 60950-1 sau IEC 62368-1.

Consultați eticheta dispozitivului pentru sursa de alimentare standard. Asigurați-vă că sursa de alimentare se potrivește cu dispozitivul dvs.

Folosiți numai adaptorul de alimentare furnizat de producător calificat. Se recomandă furnizarea unui adaptor de alimentare independent, pentru fiecare dispozitiv, deoarece supraîncălzirea adaptorului poate provoca supraîncălzire sau pericol de incendiu.

#### Securitatea sistemului

Vă rugăm să înțelegeți că aveți responsabilitatea de a configura toate parolele și alte setări de securitate ale dispozitivului și de a vă păstra numele de utilizator și parola.

#### Întreținere

În cazul în care produsul nu funcționează corect, vă rugăm să contactați dealerul sau cel mai apropiat centru de service. Nu ne asumăm nicio responsabilitate pentru problemele cauzate de reparații sau întreținere neautorizate.

Câteva componente ale dispozitivului (de exemplu, condensator electrolitic) necesită înlocuirea regulată. Durata medie de viață variază, deci se recomandă verificarea periodică. Consultați distribuitorul pentru detalii.

#### Curățarea

Vă rugăm să folosiți o cârpă moale și uscată pentru a curăța suprafețele interioare și exterioare. Nu folosiți detergenți alcalini.

#### Utilizarea mediului

Când utilizați orice echipament laser, asigurați-vă că lentila dispozitivului nu este expusă la raza laser, altfel se poate arde.

Nu îndreptați obiectivul la soare sau la orice altă lumină strălucitoare.

Pentru a evita acumularea de căldură, este necesară o bună ventilație pentru un mediu de funcționare adecvat.

NU expuneți dispozitivul la medii extrem de calde, reci, prăfuite, corozive, saline-alcaline sau umede. Pentru cerințele privind temperatura și umiditatea, consultați specificațiile dispozitivului.

NU expuneți dispozitivul la radiații electromagnetice ridicate.

#### Luminator

Asigurați-vă că nu există o suprafață reflectorizantă prea aproape de obiectivul camerei. Lumina IR provenită de la cameră poate fi reflectată înapoi în obiectiv, cauzând reflexia.

Posilujú radiácie optická periculoasă emisiă de acest produs. NU priviți în sursa de lumină de operare. Poate fi dăunătoare pentru ochi.

Dacă nu existá a protecție adecvată sau o protecție a ochilor atunci când instalați dispozitivul sau realizați întreținerea acestuia, aprindeți lumina numai de la o distanță sigură sau într-o zonă care nu este direct expusă luminii.

## Urgență

Dacă de la dispozitiv apar fum, miros sau zgomot, opriți imediat alimentarea, deconectați cablul de alimentare și contactați centrul de service.

## Sincronizarea orei

Setați ora dispozitivului manual când o porniți pentru prímá datá dacă ora localá nu este sincronizată cu cea a rețelei. Accesați dispozitivul priím intermediu browser-uui web/software-uui de clienți și mergeți la interfața pentru setările orei.

## Slovenčina

 Skôr, než budete produkt používať, prečítajte si túto príručku.

Vzhľad produktu je len orientačný a môže sa líšiť od skutočného produktu.

## Symboly a značky (Strana 1 – A)

1. Poznámka
2. Výstraha
3. Zakázané
4. Správne
5. Nesprávne
6. Prejdite na krok A a pokračujte.
7. Príslušenstvo nemusí byť priložené. /Premennivé množstvo príslušenstva. /Tento krok je možné vynechať, ak nie je nutný.
8. Karta MicroSD
9. Uzemnenie
10. Likvidácia
11. Kupuje sa samostatne
12. Dostupné možnosti

## Vzhľad (Strana 2 - B)

### Príslušenstvo a rozhranie (Strana 4 – C)

- ① Tlačidlo obnovenia nastavení: Stlačte tlačidlo resetovania a podržte asi 10 s, keď sa kamera zapína alebo reštartuje, tým sa obnovia predvolené nastavenia vrátane mena používateľa, hesla, adresy IP, čísla portu atď.
- ② Slot na pamäťovú kartu
- ③ Sieťové rozhranie
- ④ Rozhranie napájania
- ⑤ Zvukové rozhranie
- ⑥ RS-485 a rozhranie napájania
- ⑦ Rozhranie alarmu
- ⑧ GND

### Inštalácia kamery (Strana 7 – D)

#### Výstup alarmu (Strana 14 – E)

- ① Výstup relé
- ② Zaťaženie DC
- ③ Zdroj napájania
- ④ Relé JQC-3FG

#### Ochranné opatrenia pre inštaláciu vo vonkajšom prostredí (Strana 14 – F1)

#### Aktivovanie sieťovej kamery a prístup k nej (Strana 14 – F2)

©2023 Hangzhou Hikvision Digital Technology Co., Ltd. Všetky práva vyhradené.

#### Informácie o tomto návode

Táto príručka obsahuje pokyny na používanie a správu produktu. Obrázky, grafy, nákresy a všetky ďalšie informácie, ktoré sú v ňom uvedené, slúžia len na opis a vysvetlenie. Informácie uvedené v návode sa môžu zmeniť bez predchádzajúceho upozornenia v dôsledku aktualizácií firmvéru alebo iných príčin. Najnovšiu verziu tohto návodu nájdete na webovej stránke spoločnosti Hikvision (<https://www.hikvision.com/>).

Používajte tento návod v súlade s pokynmi a radami odborníkov, ktorí sú vyškolení na obsluhu produktu.

## Ochranné známky

**HIKVISION** a iné ochranné známky a logá spoločnosti Hikvision sú vlastníctvom spoločnosti Hikvision v rôznych jurisdikciách.

Iné ochranné známky a logá sú vlastníctvom príslušných majiteľov.

## ODMIETNUTIE ZODPOVEDNOSTI

V MAXIMÁLNO M ŽOŽNOM ROZSAHU, KTORÝ PRÍVOUJÚ PRÍSLUŠNÉ PRÁVNE PREDPISY, SA TÁTO PRÍRUČKA A OPISANÝ PRODUKT SPOLU S JEHO HARDVÉROM, SOFTVÉROM A FIRMVÉROM, DODÁVAJÚ V STAVE „AKO SÚ“ A „SO VŠETKÝMI PORUCHAMI A CHYBAMI“. SPOLOČNOSŤ HIKVISION NEPOSKYTUJE ŽIADNE VÝSLOVNE ANI PREDPOKLADANÉ ŽÁRUKY, OKREM INÉHO VRÁTANE ŽÁRUKY PREDAJNOSTI, USPOKOJIVEJ KVALITY ALEBO VHODNOSTI NA KONKRÉTNY ÚČEL. POUŽIVANIE PRODUKTU JE NA VAŠE VLASTNÉ RIZIKO. SPOLOČNOSŤ HIKVISION V ŽIADNOM PRÍPADE NENESIE ZODPOVEDNOSŤ ZA ŽIADNE OSOBNÉ, NÁSLEDNÉ, NÁHODNÉ ALEBO NEPRIAME ŠKODY, OKREM INÉHO VRÁTANE ŠKOD Z ÚŠLEHO PODNIKATELSKÉHO ZISKU, PRERUŠENIA PODNIKANIA, STRATY ÚDAJOV, POŠKODENIA SYSTÉMOV ALEBO STRATY DOKUMENTÁCIE, ČI UŽ NA ZÁKLADE PORUŠENIA ZMLUVY, PRÉČINU (VRÁTANE NEDBALOSTI), ZODPOVEDNOSTI ZA PRODUKT ALEBO INAK V SÚVISLOSTI S POUŽÍVANÍM PRODUKTU, A TO ANI V PRÍPADE, AK BOLA SPOLOČNOSŤ HIKVISION UPOZORNENÁ NA MOŽNOSŤ TAKÝCHTO ŠKOD. UZNÁVATE, ŽE POVAHA INTERNETU UMOŽŇUJE INHERENTNÉ BEZPEČNOSTNÉ RIZIKÁ A SPOLOČNOSŤ HIKVISION NENESIE ŽIADNU ZODPOVEDNOSŤ ZA NEŠTANDARDNÚ PREVÁDZKU, ÚNIK OSOBNÝCH ÚDAJOV ANI ZA INÉ ŠKODY V DÔSLEDKU KYBERNETICKÉHO ÚTOKU, HAKERSKÉHO ÚTOKU, VÍRUSOVEJ INFEKČIE ALEBO INÝCH BEZPEČNOSTNÝCH RIZÍK SIETE INTERNET; V PRÍPADE POTREBY VŠAK SPOLOČNOSŤ HIKVISION POSKYTNE VČASNÚ TECHNICKÚ PODPORU.

SÚHLASÍTE S POUŽÍVANÍM TOHTO PRODUKTU V SÚLADE SO VŠETKÝMI PRÍSLUŠNÝMI ZÁKONMI A NESIETE VÝHRADNÚ ZODPOVEDNOSŤ ZA ZABEZPEČENIE, ABY VAŠE POUŽÍVANIE BOLO V SÚLADE S PRÍSLUŠNÝMI ZÁKONMI. STE OBUZVLÁŠŤ ZODPOVEDNÍ ZA POUŽÍVANIE TOHTO PRODUKTU SPÔSOBOM, KTORÝ NEPORUŠUJE PRÁVA TREŤÍCH STRÁN, OKREM INÉHO PRÁVA PUBLICITY, PRÁVA DŤEŠNEHO VLASTNÍCTVA, PRÁVA NA OCHRANU ÚDAJOV A INÉ PRÁVA NA OCHRANU SÚKROMIA. TENTO PRODUKT NESMIETE POUŽÍVAŤ NA ŽIADNE ZAKÁZANÉ ÚČELY VRÁTANE VÝVOJA ALEBO VÝROBY ZBRANÍ HROMADNÉHO NIČENIA, VÝVOJA ALEBO VÝROBY CHEMICKÝCH ALEBO BIOLOGICKÝCH ZBRANÍ, AKÝCHKOLIEK AKTIVÍ V SÚVISLOSTI S AKOUKOLIEK JADROVOU VÝBUŠNINOU ALEBO NEBEZPEČNÝM CYKLOM JADROVÉHO PALIVA, ALEBO NA PODPORU ZNEUŽÍVANIA LUDSKÝCH PRÁV.

V PRÍPADE AKÉHOKOLIEK NESÚHLADU MEDZI TOUTO PRÍRUČKOU A PRÍSLUŠNÝMI PRÁVNÝMI PREDPISMI MAJÚ PREDNOSŤ PRÍSLUŠNÉ PRÁVNE PREDPISY.

## Regulačné informácie

Tieto ustanovenia platia len pre produkty s príslušným označením alebo údajom.

## Vyhlasenie o súlade s predpismi EÚ



Tento výrobok a rovnako aj dodané príslušenstvo, ak také existuje, sú označené značkou „CE“, takže sú v súlade s príslušnými harmonizovanými európskymi normami uvedenými v smernici o elektromagnetickej kompatibilitate (EMC) 2014/30/EÚ, smernici o nízkom napätí (LVD) 2014/35/EÚ a smernici o obmedzení používania určitých nebezpečných látok v elektrických a elektronických zariadeniach (RoHS) 2011/65/EÚ.



2012/19/EÚ (smernica o odpade z elektrických a elektronických zariadení): Produkty označené týmto symbolom sa v rámci Európskej únie nesmú likvidovať spolu s netriedeným komunálnym odpadom. Po zakúpení ekvivalentného nového zariadenia zrecyklujte produkt tým, že ho odovzdáte

miestnemu dodávateľovi alebo ho zlikvidujete na určených zberných miestach. Ďalšie informácie nájdete na: [www.recyclethis.info](http://www.recyclethis.info)



2006/66/ES a príslušné doplnenia 2013/56/EÚ (smernica o batériách): Tento produkt obsahuje batériu, ktorá sa v rámci Európskej únie nesmie likvidovať spolu s netriedeným komunálnym odpadom. Konkrétne informácie o batérii nájdete v dokumentácii produktu. Batéria je označená týmto symbolom, ktorý môže obsahovať písmená označujúce obsah kadmia (Cd), olova (Pb) alebo ortuti (Hg). Zrecyklujte batériu tým, že ju odovzdáte dodávateľovi alebo ju zlikvidujete na určenom zbernom mieste. Ďalšie informácie nájdete na: [www.recyclethis.info](http://www.recyclethis.info).

### Výstaha

Toto je produkt triedy A. V domácom prostredí môže tento produkt spôsobovať rádiové rušenie, pričom v takom prípade sa od používateľa môže vyžadovať, aby prijal primerané opatrenia.

### Bezpečnostné pokyny



#### Výstrahy

#### Právne predpisy a nariadenia

Zariadenie by sa malo používať v súlade s miestnymi zákonmi, predpismi o elektrickej bezpečnosti a protipožiarinými predpismi.

#### Elektrická bezpečnosť

**VÝSTRAHA:** S cieľom znížiť riziko požiaru vymeríte poistku len za poistku rovnakého typu a parametrov.

Toto zariadenie má nainštalovať spolu s UPS, aby sa predišlo riziku opätovného spustenia.

Zariadenie musí byť pripojené k uzemnenej sieťovej zásuvke.

Zariadenie musí byť vybavené ľahko dostupným externým zariadením na odpojenie s príslušnými parametrami.

Zariadenie musí byť vybavené vhodným externým nadprúdovým ochranným zariadením s príslušnými parametrami, ktoré nepresahujú technické údaje budovy.

Do elektrickej inštalácie budovy musí byť zabudovaný sieťový vypínač všetkých pólov.

#### Batéria

Toto zariadenie nie je vhodné na používanie na miestach, na ktorých sa môžu vyskytovať deti.

**VÝSTRAHA:** Riziko výbuchu v prípade výmeny batérie za nesprávny typ.

Pri nevhodnej výmene batérie za nesprávny typ sa môže deaktivovať bezpečnostný prvok (napríklad pri niektorých typoch litiových batérií).

Batériu nevkładajte do ohňa alebo horúcej rúry ani ju mechanicky nedrťte ani nerezte, pretože by to mohlo spôsobiť výbuch.

Batériu nenechávajte v prostredí s mimoriadne vysokou teplotou, čo môže viesť k výbuchu alebo úniku horľavých kvapalín alebo plynov.

Batériu nevystavujte mimoriadne nízkemu tlaku vzduchu, čo môže viesť k výbuchu alebo úniku horľavých kvapalín alebo plynov.

Použitú batériu zlikvidujte podľa príslušných pokynov.



#### Upozornenia

#### Elektrická bezpečnosť

Zaistite správne zapojenie koncoviek pri pripojení k prívodu striedavého sieťového napájania.

Zariadenie bolo navrhnuté tak, aby sa v prípade potreby dalo upraviť na pripojenie k IT systému rozvodu napájania.

#### Predchádzanie požiarom

Na zariadenie sa nesmú umiestňovať žiadne zdroje otvoreného ohňa, napríklad zapálené sviečky.

Sériový port na zariadení slúži len na servisné účely.

#### Horúci povrch

**VÝSTRAHA:** Horúce súčasti! Pri manipulácii so súčasťami si môžete popáliť prsty.

**WARNING  
HOT SURFACE  
DO NOT TOUCH**

Táto nálepka označuje, že označený predmet môže byť horúci a je potrebné byť opatrný. Pred manipuláciou so súčasťami

počkajte pol hodiny po vypnutí zariadenia.

Zariadenie s touto nálepkou je určené na inštaláciu na mieste s obmedzeným prístupom. Prístup je možné udeliť len zamestnancom servisu alebo používateľom, ktorí boli poučení o dôvodoch obmedzenia prístupu na dané miesto a o všetkých bezpečnostných opatreniach, ktoré sa musia dodržať.

#### Inštalácia

Zariadenie nainštalujte podľa pokynov v tejto príručke.

Uistite sa, že na inštaláciu zariadenia a príslušenstva máte dostatok miesta.

Uistite sa, že je stena dostatočne pevná, aby udržala minimálne osemnásobok hmotnosti kamery a držiaka.

Pred pripájaním, inštaláciou alebo demontážou zariadenia sa uistite, že je odpojené napájanie.

#### Preprava

Pri preprave ponechajte zariadenie v pôvodnom alebo podobnom balení.

Chráňte zariadenie pred pádom alebo nárazom.

#### Zdroj napájania

Zdroj napájania by mal spĺňať požiadavky obmedzeného zdroja napájania alebo PS2 podľa normy IEC 60950-1 alebo IEC 62368-1.

Informácie o štandardnom zdroji napájania nájdete na štítku zariadenia. Uistite sa, že váš zdroj napájania zodpovedá požiadavkám zariadenia.

Používajte napájací adaptér dodaný niektorým z oprávnených výrobcov. Pre každé zariadenie sa odporúča zabezpečiť samostatný napájací adaptér, pretože preťaženie adaptéra môže spôsobiť prehriatie alebo požiar.

#### Zabezpečenie systému

Upozorňujeme, že ste zodpovední za konfiguráciu všetkých hesiel a ďalších bezpečnostných nastavení zariadenia a za uchovanie používateľského mena a hesla.

#### Údržba

Ak produkt nepracuje správne, obráťte sa na predajcu alebo na najbližšie servisné stredisko. Nepreberáme žiadnu zodpovednosť za problémy spôsobené neoprávnenou opravou alebo údržbou.

Niekoľko komponentov zariadenia (napr. elektrolytický kondenzátor) si vyžaduje pravidelnú výmenu. Priemerná doba životnosti sa líši, preto odporúčame pravidelnú kontrolu. So žiadosťou o ďalšie podrobnosti sa obráťte na predajcu.

#### Čistenie

Pri čistení vnútorných a vonkajších povrchov používajte jemnú a suchú handričku. Nepoužívajte alkalické čistiace prostriedky.

#### Prevádzkové prostredie

Pri používaní akéhokoľvek laserového vybavenia zabezpečte, aby objektív zariadenia nebol vystavený laserovému lúču, inak sa môže vypáliť.

Šošovku NEMIERTE na slnko ani na žiadny iný silný zdroj svetla.

Abý sa predišlo hromadeniu tepla, je potrebné dobré vetranie správneho prevádzkového prostredia.

Zariadenie NEVYSTAVUJTE extrémne horúcemu, chladnému, prašnému, korozívnemu, slanému alkalickému alebo vlhkému prostrediu. Požiadavky na teplotu a vlhkosť sú uvedené v technických údajoch zariadenia.

Zariadenie NEVYSTAVUJTE silnému elektromagnetickému žiareniu.

#### Zdroj svetla

Uistite sa, že príliš blízko k objektívu kamery nie je žiadny reflexný povrch. Infráčervené svetlo z kamery sa môže odraziť späť do objektívu a spôsobiť zrkadlenie.

Tento produkt môže vyžarovať nebezpečné optické žiarenie. NEPOZERAJTE sa do zapnutého zdroja svetla. Môže byť škodlivý pre oči.

Ak nie je k dispozícii vhodné tienenie alebo ochrana zraku, svetlo zapínajte len v bezpečnej vzdialenosti alebo na mieste, ktoré nie je priamo vystavené svetlu pri inštalácii alebo údržbe zariadenia.

#### Núdzový režim


Ak zo zariadenia vychádza dym, zápach alebo hluk, ihneď vypnite napájanie, odpojte napájací kábel a obráťte sa na

servisné stredisko.

## Synchronizácia času

Ak lokálny čas nie je synchronizovaný s časom siete, nastavte čas zariadenia pre prvý prístup manuálne. Zobrazte zariadenie vo webovom prehliadači/ klientskom softvéri a prejdite do rozhrania nastavenia času.

## Bahasa Indonesia

 Baca manual in sebelum menggunakan produk. Tampilan produk hanya untuk referensi dan dapat berbeda dari tampilan produk yang sebenarnya.

### Simbol dan Tanda (Halaman 1 – A)

1. Pemberitahuan
2. Peringatan
3. Dilarang
4. Benar
5. Salah
6. Ikuti langkah A dan lanjutkan.
7. Aksesori belum tentu disertakan. /Jumlah aksesori dapat bervariasi. /Lewati langkah ini jika tidak diperlukan.
8. Kartu microSD
9. Pentanahan
10. Pembuangan
11. Dijual terpisah
12. Opsi yang mungkin

### Tampilan (Halaman 2 - B)

### Aksesori dan Antarmuka (Halaman 4- C)

- ① Tombol Atur ulang: Tekan tombol reset selama kira-kira 10 detik ketika kamera menyala atau sedang boot untuk mengembalikan pengaturan default, termasuk nama pengguna, kata sandi, alamat IP, No. port, dll.
- ② Slot Kartu Memori
- ③ Antarmuka Jaringan
- ④ Antarmuka Daya
- ⑤ Antarmuka audio
- ⑥ RS-485 dan antarmuka daya
- ⑦ Antarmuka Alarm
- ⑧ GND

### Memasang Kamera (Halaman 7 – D)

### Output Alarm (Halaman 14 – E)

- ① Output relai
- ② Beban DC
- ③ Catu daya
- ④ Relai JQC-3FG

### Langkah Perlindungan untuk Pemasangan di Luar Ruangan (Halaman 14 – F1)

### Mengaktifkan dan Mengakses Kamera Jaringan (Halaman 14 – F2)

©2023 Hangzhou Hikvision Digital Technology Co., Ltd. Hak dilindungi.

### Tentang Manual ini

Manual ini berisi petunjuk untuk menggunakan dan mengelola produk. Foto, diagram, gambar, dan semua informasi lain di dalam dokumen ini hanya untuk gambaran dan penjelasan. Informasi yang ada di dalam Manual ini dapat berubah, tanpa pemberitahuan, akibat adanya pembaruan firmware atau sebab lain. Anda dapat menemukan versi terbaru Manual ini di situs web Hikvision (<https://www.hikvision.com/>).

Harap gunakan Manual ini dengan panduan dan bantuan tenaga profesional yang terlatih dalam mendukung Produk ini.

### Merek Dagang

**HIKVISION** dan merek dagang serta logo Hikvision lainnya adalah milik Hikvision di berbagai wilayah hukum. Merek dagang dan logo lain yang disebutkan dalam dokumen ini adalah milik pemilik yang bersangkutan.

### PENAFIAN

SEPANJANG DIPERBOLEHKAN OLEH PERATURAN YANG BERLAKU, MANUAL INI DAN PRODUK YANG DIJELASKAN, BERSERTA PERANGKAT KERAS, PERANGKAT LUNAK, DAN

FIRMWARE, DISEDIAKAN “SEPERTI ADANYA” DAN “DENGAN SEMUA CACAT DAN KESALAHAN”. HIKVISION TIDAK MEMBERIKAN JAMINAN TERSTURAT ATAU PUN TERKISAT, TERMASUK TIDAK TERBATAS PADA, JAMINAN KOMERSIAL, KUALITAS MEMUASKAN, ATAU PUN KECOCOKAN UNTUK TUJUAN TERTENTU. PENGGUNAAN PRODUK OLEH ANDA ADALAH ATAS RISIKO ANDA SENDIRI. DALAM SEGALA HAL, HIKVISION TIDAK BERTANGGUNG JAWAB KEPADA ANDA ATAS KERUSAKAN KHUSUS, IKUTAN, INSIDEN, ATAU TIDAK LANGSUNG, TERMASUK, ANTARA LAIN, KERUGIAN AKIBAT HILANGNYA LABA USAHA, TERGANGGUNYA USAHA, ATAU HILANGNYA DATA, KERUSAKAN SISTEM, ATAU HILANGNYA DOKUMEN, BAIK BERDASARKAN PELANGGARAN ATAS KONTRAK, TINDAKAN MELAWAN HUKUM (TERMASUK KELALAIAN), KEWAJIBAN PRODUK, ATAU LAINNYA, TERKAIT PENGGUNAAN PERANGKAT LUNAK, MESKIPUN HIKVISION SUDAH DIBERITAHU ADANYA POTENSI KERUSAKAN ATAU KERUGIAN SEMACAM ITU.


ANDA MENAKUI BAHWA SIFAT INTERNET MENGHADIRKAN RISIKO KEAMANAN TIDAK TERLIHAT, DAN HIKVISION TIDAK BERTANGGUNG JAWAB ATAS ABNORMALITAS PENGOPERASIAN, KECOCORAN PRIVASI, ATAU KERUSAKAN LAIN AKIBAT SERANGAN SIBER, SERANGAN PERETAS, INFeksi VIRUS, DAN RISIKO KEAMANAN INTERNET LAINNYA; AKAN TETAPI, KAMI AKAN MENYEDIAKAN DUKUNGAN TEKNIS SECARA BERKALA JIKA DIBUTUHKAN.


ANDA SETUJU UNTUK MENGGUNAKAN PRODUK INI DENGAN MEMATUHI SEMUA PERATURAN YANG BERLAKU DAN ANDA SECARA PRIBADI BERTANGGUNG JAWAB MEMASTIKAN PENGGUNAAN OLEH ANDA MEMATUHI PERATURAN YANG BERLAKU. SECARA KHUSUS, ANDA BERTANGGUNG JAWAB MENGGUNAKAN PRODUK DENGAN CARA YANG TIDAK MELANGGAR HAK-HAK PIHAK KETIGA, TERMASUK TANPA BATASAN PADA, HAK PUBLISITAS, HAK KEKAYAAN INTELEKTUAL, ATAU PERLINDUNGAN DATA DAN HAK PRIVASI LAINNYA. ANDA DILARANG MENGGUNAKAN PRODUK UNTUK PENGGUNAAN AKHIR YANG DILARANG, TERMASUK PENGEMBANGAN ATAU PRODUKSI SENJATA PEMUSNAH MASSAL, PENGEMBANGAN ATAU PRODUKSI SENJATA KIMIA ATAU BIOLOGIS, AKTIVITAS YANG BERHUBUNGAN DENGAN BAHAN PELEDAK NUKLIR ATAU DAUR BAHAN BAKAR NUKLIR SECARA TIDAK AMAN ATAU UNTUK Mendukung PELANGGARAN HAK ASASI MANUSIA. JIKA TERJADI PERTENTANGAN ANTARA MANUAL INI DAN PERATURAN YANG BERLAKU, YANG DISEBUT TERAKHIR DIPRIORITASKAN.


### Informasi Terkait Peraturan

**Klausul ini hanya berlaku untuk produk yang memuat tanda atau informasi yang sesuai.**

### Pernyataan Kepatuhan Terhadap UE

 Produk ini - dan jika ada - aksesori yang disertakan bertanda “CE” dan oleh karena itu memenuhi standar kompatibilitas Eropa yang disebutkan dalam EMC Directive 2014/30/EU, LVD Directive 2014/35/EU, RoHS Directive 2011/65/EU.

 2012/19/EU (WEEE directive): Produk yang bertanda simbol ini tidak boleh dibuang sebagai sampah umum yang tidak disortir di wilayah Uni Eropa. Agar dapat didaur ulang sesuai ketentuan, kembalikan produk ini ke toko terdekat saat Anda membeli peralatan pengganti yang baru, atau buang pada titik pengumpulan yang ditentukan. Untuk informasi lebih lengkap, kunjungi: [www.recyclethis.info](http://www.recyclethis.info)

 2006/66/EC dan amendemennya 2013/56/EU (ketentuan baterai): Produk ini berisi baterai yang tidak boleh dibuang sebagai sampah umum yang tidak disortir di wilayah Uni Eropa. Lihat dokumentasi produk untuk informasi spesifik tentang baterai. Baterai ini ditandai dengan simbol ini, yang mungkin disertai huruf untuk menandakan kadmium (Cd), timbal (Pb), atau merkuri (Hg). Agar dapat didaur ulang sesuai ketentuan, kembalikan baterai ke toko atau titik pengumpulan yang ditentukan. Untuk informasi lebih lengkap, kunjungi: [www.recyclethis.info](http://www.recyclethis.info).

### Peringatan

Produk ini merupakan produk kelas A. Di lingkungan rumah

tinggal, produk ini dapat menimbulkan interferensi radio, dalam kondisi tersebut pengguna mungkin diharuskan untuk mengambil langkah-langkah yang memadai.

**Petunjuk Keselamatan**



**Peringatan**

**Undang-Undang dan Peraturan**

Perangkat harus digunakan sesuai dengan undang-undang setempat, peraturan keselamatan kelistrikan, dan peraturan terkait pencegahan kebakaran.

**Keamanan Elektrik**

**PERHATIAN:** Untuk mengurangi risiko kebakaran, ganti sekring dengan tipe dan rating yang sama saja.

Peralatan ini harus dipasang bersama dengan UPS untuk menghindari risiko memulai ulang.

Peralatan wajib dihubungkan ke lubang stopkontak listrik yang dibumikan.

Perangkat pemutus sambungan yang dapat diakses dengan rating yang sesuai harus dipasang di luar peralatan.

Perangkat perlindungan terhadap arus berlebih dengan rating yang sesuai harus dipasang di luar peralatan yang tidak melebihi spesifikasi gedung.

Gunakan saklar listrik semua kutub dalam instalasi kelistrikan gedung.

**Baterai**

Peralatan ini tidak cocok untuk digunakan di lokasi anak-anak beraktivitas.

**PERHATIAN:** Risiko ledakan jika baterai diganti dengan jenis yang salah.

Penggantian baterai yang tidak tepat dengan baterai dari jenis yang salah dapat memengaruhi keamanan (misalnya, untuk beberapa jenis baterai lithium).

Jangan membuang baterai ke dalam api atau oven panas, atau menghancurkan atau memotongnya secara mekanis, karena dapat menyebabkan ledakan.

Jangan meletakkan baterai di lingkungan yang bersuhu sangat tinggi, karena dapat menyebabkan ledakan atau kebocoran cairan atau gas yang mudah terbakar.

Jangan membiarkan baterai terpapar tekanan udara yang sangat rendah, karena dapat menyebabkan ledakan atau kebocoran cairan atau gas yang mudah terbakar.

Buang baterai bekas sesuai petunjuk.



**Perhatian**

**Keamanan Elektrik**

Pastikan sambungan kabel terminal yang akan dihubungkan ke sumber arus AC sudah benar.

Peralatan ini dirancang, dan jika perlu, dimodifikasi untuk disambungkan ke sistem distribusi daya IT.

**Pencegahan Kebakaran**

Jangan menempatkan sumber nyala terbuka, misalnya lilin, di atas peralatan.

Gunakan port seri peralatan untuk debugging saja.

**Permukaan Panas**

**PERHATIAN:** Komponen panas! Jari yang terbakar saat menangani komponen.



Stiker ini untuk mengindikasikan bahwa item yang ditandai bisa menjadi panas dan tidak boleh disentuh tanpa waktu pendinginan. Tunggu satu setengah jam

setelah peralatan dimatikan sebelum menangani komponen.

Perangkat dengan stiker ini dimaksudkan untuk pemasangan pada lokasi dengan akses terbatas. Akses hanya dapat didapatkan oleh petugas layanan atau oleh pengguna yang telah mendapat instruksi tentang alasan pembatasan yang diterapkan ke lokasi tersebut dan mengenai langkah pencegahan yang harus dilakukan.

**Pemasangan**

Pasang peralatan sesuai petunjuk di dalam manual ini.

Pastikan ada ruang yang cukup untuk memasang perangkat dan aksesoriinya.

Pastikan dinding cukup kuat untuk menahan setidaknya 8 kali berat kamera dan dudukannya.

Pastikan aliran daya dimatikan sebelum Anda menyambung,

memasang, atau membongkar perangkat.

**Transportasi**

Kemas perangkat dalam kemasan aslinya atau yang serupa saat memindahkannya.

Jangan menjatuhkan produk atau membuatnya terkena guncangan fisik.

**Catu Daya**

Sumber daya harus memenuhi ketentuan sumber daya terbatas atau PS2 menurut standar IEC 60950-1 atau IEC 62368-1.

Lihat label perangkat untuk catu daya standar. Pastikan catu daya Anda sesuai untuk perangkat Anda.

Gunakan adaptor daya yang disediakan oleh produsen yang memenuhi kualifikasi. Anda disarankan untuk menyediakan adaptor daya terpisah untuk setiap perangkat karena adaptor yang kelebihan beban dapat menjadi terlalu panas (over-heating) atau menyebabkan bahaya kebakaran.

**Keamanan Sistem**

Harap dipahami bahwa Anda bertanggung jawab untuk mengkonfigurasi semua kata sandi dan setelan keamanan lainnya terkait perangkat, serta simpan nama pengguna dan kata sandi Anda.

**Pemeliharaan**

Jika produk tidak berfungsi dengan baik, hubungi dealer atau pusat servis terdekat. Kami tidak bertanggung jawab atas masalah yang disebabkan oleh perbaikan atau perawatan yang tidak resmi.

Beberapa komponen perangkat (mis., kapasitor elektrolitik) harus diganti secara rutin. Masa pakai rata-rata bervariasi, jadi disarankan melakukan pemeriksaan periodik. Hubungi dealer Anda untuk informasi selengkapnya.

**Pembersihan**

Gunakan kain lembut dan kering untuk membersihkan permukaan bagian dalam dan bagian luar. Jangan menggunakan deterjen alkalin.

**Lingkungan Penggunaan**

Saat ada perangkat laser yang sedang digunakan, pastikan lensa perangkat tidak terpapar sorotan laser, karena bisa terbakar.

**JANGAN** mengarahkan lensa ke matahari atau cahaya terang lainnya.

Untuk menghindari akumulasi panas, diperlukan ventilasi yang baik untuk lingkungan operasional yang tepat.

**JANGAN** membiarkan perangkat terpapar lingkungan yang sangat panas, sangat dingin, berdebu, korosif, mengandung garam-alkali, atau lembap. Untuk persyaratan suhu dan kelembapan, lihat spesifikasi perangkat.

**JANGAN** membiarkan perangkat terpapar radiasi elektromagnetik tinggi.

**Luminator**

Pastikan tidak ada permukaan pantul yang terlalu dekat dengan lensa kamera. Lampu IR dari kamera dapat memantul kembali ke dalam kamera sehingga menimbulkan pantulan.

Produk ini dapat memancarkan radiasi optik berbahaya. **JANGAN** memandang sumber cahaya yang menyala. Dapat membahayakan mata.

Jika pelindung atau pelindung mata yang sesuai tidak tersedia, nalalkan lampu hanya pada jarak yang aman atau di area yang tidak secara langsung terkena cahaya saat memasang atau merawat perangkat.

**Darurat**

Jika muncul asap, bau, atau derau dari perangkat, segera matikan perangkat, cabut kabel daya, lalu hubungi pusat servis.

**SINKRONISASI WAKTU**

Setel waktu perangkat secara manual untuk akses pertama kali jika waktu setempat tidak sinkron dengan waktu jaringan. Kunjungi perangkat via penelusuran Web/perangkat lunak klien dan buka antarmuka pengaturan waktu.



ကုန်ပစ္စည်းကို အသုံးမပြုမီ ဤလက်စွဲကို ဖတ်ပါ။

ပစ္စည်း ပုံသဏ္ဍာန်သည် ကိုးကားရန်အတွက်သာဖြစ်ပြီး ကုန်ပစ္စည်းအစစ်နှင့် ကွဲပြားမှု ရှိနိုင်ပါသည်။

### သက်တောင့် အမှတ်အသားများ (စာမျက်နှာ 1 – A)

1. အသိပေးချက်
2. သတိပေးချက်
3. တားမြစ်ချက်
4. မှန်သည်
5. မမှန်ပါ
6. အဆင့် A သို့ ပြောင်းပြီး ဆက်လုပ်ပါ။
7. မလိုအပ်ပဲ ထည့်သွင်းထားသော အပိုပစ္စည်း။  
/ပြောင်းလဲနိုင်သော အပိုပစ္စည်း ပမာဏ။ /မလိုအပ်ပါက ဤအဆင့်ကို ကျော်လင့်ပါ။
8. ဖိုက်ခရို SD ကဒ်
9. မြေစိုက်
10. စွန့်ပစ်ခြင်း
11. သီးခြား ဝယ်ယူသည်
12. ဖြစ်နိုင်သော ရွေးချယ်စရာများ

### အသွင်းအပြင် (စာမျက်နှာ 2- B)

#### ဆက်စပ်ပစ္စည်းနှင့် အင်တာဖေ့စ် (စာမျက်နှာ 4 - C)

- ① မူရင်းဆက်တင်သို့ ပြန်သွားသော ခလုတ်- ကင်မရာ ပါမီ ဖွင့်ထားသည့်အချိန်တွင် မူရင်းဆက်တင် ခလုတ်ကို သပ စက္ကန့်ခန့် နှိပ်ထားပါ သို့မဟုတ် သုံးဆွဲသူ အမည်၊ စကားတုတ်၊ IP လိပ်စာ၊ လိုင်း နံပါတ်၊ အစရှိသည်တို့ အပါအဝင် မူရင်းဆက်တင်များကို ပြန်ရယူပါ။
- ② မင်ဖိုရီ ကဒ် အပေါက်
- ③ ကွန်ရက် အင်တာဖေ့စ်
- ④ ပါမီ အင်တာဖေ့စ်
- ⑤ အသံ အင်တာဖေ့စ်
- ⑥ RS-485 နှင့် ပါမီအင်တာဖေ့စ်
- ⑦ သတိပေးချက် အင်တာဖေ့စ်
- ⑧ GND

#### ကင်မရာ တပ်ဆင်ခြင်း (စာမျက်နှာ 7 – D)

#### သတိပေးချက် အတွက် (စာမျက်နှာ 14 – E)

- ① ထပ်ဆင့် ထုတ်လွှင့်မှု
- ② DC လျှပ်စစ်ဓါတ်အား
- ③ ပါမီ အဝင်
- ④ JQC-3FG ထပ်ဆင့်

#### ပြင်ပတွင် တပ်ဆင်ရန် ကာကွယ်ရေး အစီအမံများ (စာမျက်နှာ 14 – F1)

#### ကွန်ရက်ကင်မရာကို ဖွင့်ပြီး အသုံးပြုပါ (စာမျက်နှာ 14 – F2)

©2023 Hangzhou Hikvision Digital Technology Co., Ltd.

ပုဂ္ဂိုလ်နှင့်ရယူထားသည်။

ဤလမ်းညွှန်အကြောင်း

ဤလမ်းညွှန်တွင် ထုတ်ကုန်ပစ္စည်းအား အသုံးပြုခြင်းနှင့်

စီမံခြင်းဆိုင်ရာ ညွှန်ကြားချက်များ ပါရှိပါသည်။ ဤလမ်းညွှန်ပါ ရုပ်ပုံများ၊ ပုံပြကားချပ်များ၊ စာတိပုံများနှင့်

အခြားသတင်းအချက်အလက် အားလုံးသည် ဖော်ပြရန်၊ ရှင်းပြရန်အတွက်သာ ထည့်သွင်းထားခြင်း ဖြစ်ပါသည်။

ဤလမ်းညွှန်ပါ သတင်းအချက်အလက်များကို ဖမ်းစဲ အပ်ဒိတ်လုပ်ခြင်းကြောင့်ဖြစ်စေ၊

အခြားအကြောင်းရင်းများကြောင့်ဖြစ်စေ ကြိုတင်အသိပေးခြင်း မရှိဘဲ ပြောင်းလဲနိုင်ပါသည်။ ဤလမ်းညွှန်၏

နောက်ဆုံးရထားရင်းကို (<https://www.hikvision.com/>) Hikvision အင်တာနက်စာမျက်နှာတွင် ရရှိပါသည်။

ယခုထုတ်ကုန်ပစ္စည်းအားကူညီထောက်ပံ့ရာတွင် လျော့ပိုမှုရှိထားသော ကျွမ်းကျင်သူများ၏ လမ်းညွှန်နှင့် အထောက်အပံ့တို့နှင့်အညီ ဤလမ်းညွှန်ကို အသုံးပြုပါ။

#### ကုန်ပစ္စည်း အမှတ်တံဆိပ်များ

**HIKVISION** နှင့် အခြား Hikvision ၏ ကုန်ပစ္စည်း အမှတ်တံဆိပ်များနှင့် လိုဂိုများသည် အမျိုးမျိုးသော တရားစီရင်ပိုင်ခွင့်များတွင် Hikvision ၏ ပိုင်ဆိုင်မှုများ ဖြစ်သည်။

ဖော်ပြထားသည့် အခြား ကုန်ပစ္စည်း အမှတ်တံဆိပ်များနှင့် လိုဂိုများသည် ၎င်းတို့၏ သက်ဆိုင်ရာ ပိုင်ရှင်များ၏ ပိုင်ဆိုင်မှုများ ဖြစ်ကြပါသည်။

#### ငြင်းဆိုချက်

အကျိုးပိုင်သည် သက်ဆိုင်သောဥပဒေက ခွင့်ပြုထားသည့် အခြေအနေ အတိုင်းအတာဖြင့် ဤလက်စွဲစာအုပ်နှင့် ဖော်ပြထားသော ထုတ်ကုန်ကို ၎င်း၏ စက်ပစ္စည်းများ၊ ဆော့ဖ်ဝဲနှင့် ဖမ်းစဲမှုများနှင့်အတူ “ယင်းအတိုင်း” နှင့် “အမှားအယွင်းများအားလုံးနှင့်အတူ” ဖော်ပြထားသည်။ HIKVISION သည် ကန့်သတ်မှု၊ ကုန်သွယ်နိုင်စွမ်း၊ ကျေနပ်လောက်ဖွယ် အရည်အသွေး၊ သို့မဟုတ် သီးခြားရည်ရွယ်ချက် တစ်စုံတစ်ခုအတွက် ကြိုဆိုမှုများ မရှိခြင်း အပါအဝင် မည်သည့် အာမခံချက်များကို အတိအလင်း ဖြစ်စေ သွယ်ဝိုက်၍ ဖြစ်စေ ဖေးထားခြင်း မရှိပါ။ ကုန်ပစ္စည်းအား အသုံးပြုပါက သင့်ဘာသာသင် တာဝန်ယူ ရမည်။

မည်သည့်အခြေအနေတွင်မဆို စာချုပ်ချိုးဖောက်မှုကြောင့်ဖြစ်စေ၊ အကျိုးပြုစီးပွားဖြစ်စေ (ပေါ့လျော့မှု အပါအဝင်)၊

ထုတ်ကုန်ပစ္စည်း ပြဿနာ ကြောင့်ဖြစ်စေ သို့မဟုတ်ပါက ဤထုတ်ကုန်ပစ္စည်းအား အသုံးပြုမှုကြောင့် ဖြစ်စေ စီးပွားရေးလုပ်ငန်း အကျိုးအမြတ် ဆုံးရှုံးမှု သို့မဟုတ် အချက်အလက် ဆုံးရှုံးမှု၊ စနစ်များ ယိုယွင်းပျက်စီးမှု သို့မဟုတ် စာရွက်စာတမ်း ပျက်စီး ပျောက်ဆုံးမှုကြောင့် ထိခိုက်မှုများ အပါအဝင် အထူးတလည်၊ အကျိုးဆက်မရှိ၍၊ မတော်တဆ သို့မဟုတ် တိုက်ရိုက် ထိခိုက်မှုများအတွက် ထိုထိခိုက်မှု သို့မဟုတ် ဆုံးရှုံးမှုများအကြောင်း HIKVISION အား အကြံပြု အသိပေးပြီး ဖြစ်စေကာမူ HIKVISION မှ တာဝန်ယူမည် မဟုတ်ပါ။

အင်တာနက် သဘောသဘာဝအရ တည်ရှိခဲ လုံခြုံရေး ဘေးအန္တရာယ်များ ပေးနိုင်သည်ကို သင် အသိအမှတ်ပြုပြီး ပုံမှန်မဟုတ်သော လုပ်ငန်းလည်ပတ်မှု၊ ပုဂ္ဂိုလ်ရေးဆိုင်ရာ အချက်အလက် ပေါက်ကြားမှု သို့မဟုတ် ဆိုင်ဘာ



တိုက်ခိုက်မှုများ၊ ဟက်ကာ တိုက်ခိုက်မှုများ၊ ဝိုင်းရိုက် ကူးစက်မှု သို့မဟုတ် အခြား အင်တာနက် လုံခြုံရေး အန္တရာယ်များ၏ ရလဒ်အဖြစ် ဖြစ်ပေါ်လာသော အခြားပျက်စီးမှုများ၊ အပေါ် HIKVISION သည် တာဝန်ယူလိမ့်မည်မဟုတ်ပါ။ သို့ရာတွင် HIKVISION သည် လိုအပ်ပါက နည်းပညာပံ့ပိုးမှုကို အချိန်နှင့် တစ်ပြေးညီပေးသွားမည်။

သင်သည် အကျုံးဝင်သော ဥပဒေများနှင့် အညီ ဤကုန်ပစ္စည်းကို အသုံးပြုရန် သဘောတူညီပြီး သင်၏ အသုံးပြုမှုသည် အကျုံးဝင်သော ဥပဒေနှင့် ကိုက်ညီစေရန် သင်က လုံးဝ တာဝန်ခံရမည် ဖြစ်သည်။ အထူးသဖြင့် သင်သည် ဤကုန်ပစ္စည်းကို အသုံးပြုရာတွင် အများပြည်သူ၏ အခွင့်အရေးများ၊ အသိပညာ ပိုင်ဆိုင်မှု အခွင့်အရေးများ သို့မဟုတ် အချက်အလက် ကာကွယ်ရေး နှင့် အခြား ပုဂ္ဂိုလ်ရေး ဆိုင်ရာ အချက်အလက် လုံခြုံမှု အခွင့်အရေးများ အပါအဝင် ဖြစ်သော်လည်း ယင်းတို့သာ အကန့်အသတ်မဟုတ်ဘဲ အပြင်ပင် လူပုဂ္ဂိုလ် များ၏ အခွင့်အရေးများကို ချိုးဖောက်သော ပုံစံဖြင့် အသုံးပြုခြင်း မပြုရန် သင့်တွင် တာဝန်ရှိသည်။

လူအစုအပြုံလိုက် သေကြေပျက်စီးစေနိုင်သော လက်နက်များ တီထွင် ဖန်တီးခြင်း သို့မဟုတ် ထုတ်လုပ်ခြင်း၊ စာတု သို့မဟုတ် ဇီဝ လက်နက်များ တီထွင်ဖန်တီးခြင်း သို့မဟုတ် ထုတ်လုပ်ခြင်း၊ မည်သည့် ဝေါက်ကွဲစေတတ်သော နျူးကလီးယား လက်နက် သို့မဟုတ် ဝေးကင်းလုံခြုံမှု မရှိသော နျူးကလီးယား လောင်စာ သံသရာတို့နှင့် သက်ဆိုင်သော အခြေအနေတွင် သို့မဟုတ် လူ့အခွင့်အရေး ချိုးဖောက်မှုကို ပံ့ပိုးသော လုပ်ဆောင်မှု တစ်စုံတရာ တို့ အပါအဝင် မည်သည့် အဆုံးသတ် အသုံးပြုမှု အတွက်ကိုမဆို သင်သည် ဤကုန်ပစ္စည်းကို အသုံးပြုခြင်း မပြုရပါ။

ဤလမ်းညွှန်နှင့် သက်ဆိုင်ရာ ဥပဒေတို့အကြား ကွဲလွဲမှုများ ရှိခဲ့ပါက ဥပဒေပါ ပြဌာန်းချက်ကိုသာ အတည်ယူရမည်။

**စည်းကမ်းချက်ဆိုင်ရာ အချက်အလက်များ**

**ဤအပိုင်းများသည် သက်ဆိုင်ရာ အမှတ်အသား သို့မဟုတ် အချက်အလက်များ ပါရှိသော ထုတ်ကုန်များနှင့်သာ သက်ဆိုင်ပါသည်။**

**EU စည်းကမ်းချက် တိုက်ညီမှုဆိုင်ရာ ကြေညာချက်**



ဤထုတ်ကုန်ပစ္စည်းနှင့် (အကျုံးဝင်ပါက) အတူပါရှိသော အပိုပစ္စည်းများကို "CE" အမှတ်အသားဖြင့် မှတ်သားထားပြီး EMC အမိန့်စာ 2014/30/EU ၊ LVD အမိန့်စာ 2014/35/EU ၊ RoHS အမိန့်စာ 2011/65/EU တို့တွင် ဖော်ပြထားသည့် သက်ဆိုင်သော ချိန်ညှိပြီး ဥပဒေပစ်နှုန်းများနှင့် ကိုက်ညီပါသည်။



2012/19/EU (WEEE ညွှန်ကြားချက်)- ဤသင်္ကေတ ကပ်ထားသည့် ထုတ်ကုန်များကို ဥပဒေပသမဂ္ဂအတွင်း ရောနှောစည်ပင်အမှိုက်အနေဖြင့် စွန့်ပစ်နိုင်ခြင်း မရှိပါ။ သေချာစွာ စီမံဆိုင်ကယ်လုပ်ရန်အတွက် ဤထုတ်ကုန်ပစ္စည်းကို အလားတူ ပစ္စည်းအသစ်တစ်ခု ဝယ်ယူချိန်တွင် သင့်နယ်ခံ

ပစ္စည်းရောင်းချသူထံ ပြန်ပေးပါ သို့မဟုတ် သတ်မှတ်ထားသည့် ပစ္စည်းရောင်းဆင်းသော နေရာများ၌ စွန့်ပစ်ပါ။ နောက်ထပ် အချက်အလက်များအတွက် ကြည့်ရှုရန်- [www.recycldethis.info](http://www.recycldethis.info)



2006/66/EC နှင့် ၎င်း၏ ပြင်ဆင်ချက် 2013/56/EC (သက်တမ်း လမ်းညွှန်ချက်)- ဤထုတ်ကုန်ပစ္စည်းတွင် ဥပဒေပသမဂ္ဂအတွင်း ရောနှော စည်ပင်အမှိုက်အနေဖြင့် စွန့်ပစ်နိုင်ခြင်း မရှိသည့် ဘက်ထရီ တစ်လုံး ပါဝင်နေပါသည်။ ဘက်ထရီအတွက် သီးသန့်အချက် အလက်များကို ထုတ်ကုန်ပစ္စည်းပါ စာရွက်စာတမ်းများ၌ ကြည့်ပါ။ ဤဘက်ထရီကို ကတ်ဒီအမ် (Cd)၊ ခဲ (Pb) သို့မဟုတ် မြွှေး (Hg) ဟု ညွှန်ပြမည့် စွန့်ပစ်ခြင်းပါဝင်နိုင်ကြောင်း ဤသင်္ကေတဖြင့် မှတ်သားထားပါသည်။ သေချာစွာ စီမံဆိုင်ကယ်လုပ်ရန်အတွက် ဤဘက်ထရီကို သင့်နယ်ခံ ပစ္စည်း ရောင်းချသူထံ ပြန်ပေးပါ သို့မဟုတ် သတ်မှတ်ထားသည့် ရောင်းဆင်းသော နေရာ၌ စွန့်ပစ်ပါ။ ပိုမိုသိရှိလိုပါက [www.recycldethis.info](http://www.recycldethis.info) တွင်ကြည့်ပါ။

**သတ်ပေးချက်**

ဒါသည် class A ထုတ်ကုန်ဖြစ်ပါသည်။ အိမ်တွင်း ပတ်ဝန်းကျင်တွင် ဤပစ္စည်းသည် ရေဒီယိုလှိုင်း နှောင့်ယှက်မှုဖြစ်နိုင်သည့်အတွက် သုံးစွဲသူသည် လုံလောက်သော တိုင်းတာမှုများလုပ်ဆောင်ရန် လိုအပ်ပါသည်။

**ဘေးကင်းလုံခြုံရေး ညွှန်ကြားချက်များ**



**သတ်ပေးချက်များ**

**ဥပဒေများနှင့် လုပ်ထုံးလုပ်နည်းများ**

ကိရိယာကို ဒေသဆိုင်ရာ ဥပဒေများ၊ လျှပ်စစ်ပစ္စည်း ဘေးကင်းလုံခြုံမှု စည်းမျဉ်းစည်းကမ်းများ နှင့် မီးဘေး ကာကွယ်ရေး စည်းမျဉ်းစည်းကမ်းများနှင့် အညီ သုံးစွဲရမည်။

**လျှပ်စစ်အန္တရာယ် ဘေးကင်းရေး**

သတ်ပြုရန်- မီးလောင်ကျွမ်းမှု အန္တရာယ်ကို လျော့ချရန်အတွက် အမျိုးအစားနှင့် အဆင့်အတန်း တူညီသည့် ဈူ ဝါဖြင့်သာ လဲလှယ်ပေးရမည်။

ဤကိရိယာကို ပြန်စီစဉ်အန္တရာယ်မှကင်းဝေးစေရန် UPS နှင့်အတူ တပ်ဆင်အသုံးပြုရမည်။

ဤကိရိယာကို မြေချကြိုးစာပ်ဆင်ထားသည့် မိန်းပလပ်ပေါက်နှင့် ချိတ်ဆက်ထားရမည်။ အလွယ်တကူသုံးစွဲနိုင်ပြီး သင့်လျော်သော အဆင့်သတ်မှတ်မှုတွင် ချိတ်ဆက်မှုဖြင့်တောက်နိုင်သည့် ကိရိယာကို စက်ပစ္စည်းပြင်ပတွင် ထည့်သွင်းထားရမည်။

သင့်လျော်သော အဆင့်သတ်မှတ်မှုတွင် ဖြတ်တောက်နိုင်သည့် ဓာတ်အားလွန်ခြင်း ကာကွယ်သည့်စက်ကို အဆောက်အဦရှိ သတ်မှတ်ချက်ထက် မကော်လွန်ရသော စက်ပစ္စည်းပြင်ပတွင် ထည့်သွင်းထားရမည်။ အဆောက်အဦ၏ လျှပ်စစ်ဆက်သွယ်မှု စနစ်အတွင်း၌ ငုတ်အားလုံးပါသော မိန်းခလုတ် တစ်ခုကို တပ်ဆင်ထားရမည်။

**ဘက်ထရီ**

ဤကိရိယာကို ကလေးများရှိနိုင်သည့် နေရာမျိုးတွင် အသုံးပြုရန်

မသင့်လျော်ပါ။

သတိပြုရန်- မှန်ကန်မှုမရှိသော ဘက်ထရီအမျိုးအစားဖြင့် လဲစိမိကာ ပေါက်ကွဲမှုဖြစ်နိုင်သည်။

ဘက်ထရီကို ပုံစံမမှန်ဘဲ မှားယွင်းသော အမျိုးအစားတစ်ခုဖြင့် အသစ်လဲအပ်ပါက Safeguard ဖျက်စီးနိုင်သည် (ဥပမာအားဖြင့် အချို့သော လစ်ထီယမ် ဘက်ထရီအမျိုးအစားများတွင်)။

ဘက်ထရီကို ပေါက်ကွဲမှု ဖြစ်ပေါ်စေနိုင်သည့် မီးအတွင်းသို့ သို့မဟုတ် မီးဖိုအတွင်းအတွင်း သို့မဟုတ် စက်ပစ္စည်းသုံး ထုထုခြင်း၊ သို့မဟုတ် ဖြတ်တောက်ခြင်း ဖြင့် မစွန့်ပစ်ပါနှင့်။

ဘက်ထရီကို အလွန်အမင်း မြင့်မားသည့် အပူချိန်ရှိသည့် ပတ်ဝန်းကျင်တွင် မထားပါနှင့်။ ပေါက်ကွဲမှု ဖြစ်နိုင်သည့် သို့မဟုတ် မီးလောင်လွယ်သည့် အရည် သို့မဟုတ် ဓာတ်ငွေ့ များ ထွက်လာနိုင်သည်။

ဤဘက်ထရီကို အလွန်နိမ့်သည့် လေဖိအားနှင့် ထိတွေ့ခြင်း မရှိစေရ ပေါက်ကွဲမှု ဖြစ်နိုင်သည့် သို့မဟုတ် မီးလောင်လွယ်သည့် အရည် သို့မဟုတ် ဓာတ်ငွေ့ များ ထွက်လာနိုင်သည်။ အသုံးပြုပြီး ဘက်ထရီများကို လမ်းညွှန်ချက်များနှင့်အညီ စွန့်ပစ်ပါ။

**⚠ သတိထားရန်အချက်များ လျှပ်စစ်အန္တရာယ် ဘေးကင်းရေး**

AC မိန်းဓာတ်အားသို့ ချိတ်ဆက်သည့် ငုတ်များ ချိတ်ဆက်ပုံ မှန်ကန်စေရန် လုပ်ဆောင်ပါ။

လိုအပ်ပါက IT ပါဝါဖြန့်ချိမှု ဖန်တစ်စုနှင့် ချိတ်ဆက်နိုင်ရန်အတွက် ဤကိရိယာကို ဒီဇိုင်းထုတ်ထားခြင်း ဖြစ်သည်။

**မီးဘေး ကာကွယ်ထားရေး**

မီးထွန်းထားသည့် ဖယောင်းတိုင်းများ ကဲ့သို့သော အကာအကွယ်မရှိသည့် မီးအရင်းအမြစ်များကို ကိရိယာအပေါ်တွင် မထားရပါ။

ကိရိယာ၏ စီရီယယ် ဆက်သွယ်မှု သည် အမှားပြင်ရန်အတွက်သာ အသုံးပြုသည်။

**ပူနေသော မျက်နှာပြင်**

သတိပြုရန်- ပူသော အစိတ်အပိုင်းများ ကိုင်တွယ်စဉ် လက်ချောင်းများ အပူလောင်စေနိုင်သည်။

ဤကပ်ရွာသည် မူနိုင်သော ပစ္စည်းကို သတ်မှတ်ပြထားပြီး သတိမထားပဲ မကိုင်တွယ်ရပါ။ အစိတ်အပိုင်းများကို ကိုင်တွယ်ခြင်းမပြုမီ ခလုတ်ကို ပိတ်ပြီး နှာရိပ်ကံ တောင့်ပါ။

ဤစတစ်ကာပါသည့် ကိရိယာကို ဝင်ရောက်မှု ကန့်သတ်ထားသော နေရာတွင် ထားရှိရပါမည်။ ကန့်သတ်နေရာမှ သတ်မှတ်ထားခြင်း အကြောင်းရင်းများအကြောင်း ညွှန်ကြားချက် ရထားသော နှင့် သတိထားရမည့် ကြိုတင်ကာကွယ်မှုများအကြောင်း ညွှန်ကြားခံထားရသည့် ဝန်ဆောင်မှုပေးသူများ သို့မဟုတ် အသုံးပြုသူများကသာ ထိုနေရာသို့ ဝင်ရောက်နိုင်ပါသည်။

**တပ်ဆင်ခြင်း**

ဤကိရိယာကို ဤလမ်းညွှန်ပါ လမ်းညွှန်ချက်များနှင့်အညီ တပ်ဆင်ပါ။ ကိရိယာနှင့် အပိုပစ္စည်းများ တပ်ဆင်ရန် နေရာလုံလောက်မှု ရှိမရှိ စစ်ဆေးပါ။ နံရံသည် ကပ်ပေးရန် အဆင်ပြေသည့် သို့မဟုတ် ပြန်ဖြတ်နေရာတွင် ပါဝါသေချာဖြတ်ထားပါ။

ဤကိရိယာကို ဤလမ်းညွှန်ပါ လမ်းညွှန်ချက်များနှင့်အညီ တပ်ဆင်ပါ။

ကိရိယာနှင့် အပိုပစ္စည်းများ တပ်ဆင်ရန် နေရာလုံလောက်မှု ရှိမရှိ စစ်ဆေးပါ။

နံရံသည် ကပ်ပေးရန် ထောက်အလေးချိန်၏ ၈ ဆကို ကောင်းစွာခံနိုင်ရည်ရှိကြောင်း သေချာပါစေ

ကိရိယာ၏ ပါလာချိတ်ဆက်စဉ် တပ်ဆင်စဉ် သို့မဟုတ် ပြန်ဖြတ်နေရာတွင် ပါဝါသေချာဖြတ်ထားပါ။

**သယ်ယူပို့ဆောင်ရေး**

ကိရိယာကို သယ်ယူပို့ဆောင်ရာတွင် မူလ သို့မဟုတ် အလားတူ ထုပ်ပိုးမှုအတိုင်း ထားပါ။

ထုတ်ကုန်ပစ္စည်းကို လွတ်မကျပါစေရန် သို့မဟုတ် တုန်ခါ၍ ဒဏ်ဖြစ်သွားခြင်း မဖြစ်စေပါ နှင့်။

**ပါဝါ ပေးသွင်းမှု**

ပါဝါ ရင်းမြစ်သည် ကန့်သတ်ထားသော ပါဝါ အရင်းအမြစ် သို့မဟုတ် IEC 60950-1 သို့မဟုတ် IEC 62368-1 စံချိန်စံညွှန်းနှင့် အညီ PS2 လိုအပ်ချက်များကို ပြည့်မီရမည်။ စံချိန်စံညွှန်းမီ ပါဝါအဝင်အားအတွက် ကိရိယာအညွှန်းကို ဖတ်ရှုပါ။ သင်၏ ပါဝါအဝင်အားသည် သင့်ကိရိယာနှင့် ကိုက်ညီကြောင်း သေချာပါစေ။

အရည်အချင်းပြည့်မီသော ထုတ်လုပ်သူများက ပံ့ပိုးပေးသည့် ပါဝါအဝင်တာကို အသုံးပြုပါ။ ပါဝါအဝင်တာတွင် ဝန်ပို သုံးစွဲလျှင် အပူလွန်ကဲခြင်း သို့မဟုတ် မီးဘေးအန္တရာယ် ဖြစ်နိုင်သဖြင့် ကိရိယာတစ်ခုစီအတွက် ပါဝါအဝင်တာတစ်ခုစီသာ အသုံးပြုရန် အကြံပြုထားပါသည်။

အရည်အချင်းပြည့်မီသော ထုတ်လုပ်သူများက ပံ့ပိုးပေးသည့် ပါဝါအဝင်တာကို အသုံးပြုပါ။ ပါဝါအဝင်တာတွင် ဝန်ပို သုံးစွဲလျှင် အပူလွန်ကဲခြင်း သို့မဟုတ် မီးဘေးအန္တရာယ် ဖြစ်နိုင်သဖြင့် ကိရိယာတစ်ခုစီအတွက် ပါဝါအဝင်တာတစ်ခုစီသာ အသုံးပြုရန် အကြံပြုထားပါသည်။

**ဝန်ပို လိုပြုရေး**

သင့်အနေဖြင့် ဤကိရိယာနှင့် ပတ်သက်သည့် စကားပုဂံများနှင့် အခြားလိုပြုရေး ဆက်တင်များကို ထိန်းသိမ်းသတ်မှတ်ရမည်ဖြစ်ပြီး အသုံးပြုသူအမည်နှင့် စကားပုဂံတို့ကို မှတ်သားထားရန် တာဝန်ရှိသည်ကို နားလည်ရန်လိုပါသည်။

**ပြုပြင်ထိန်းသိမ်းခြင်း**

ကိရိယာ သေချာအလုပ်မလုပ်ပါက အရောင်းဆိုင် သို့မဟုတ် အနီးဆုံး ကြံ့ခိုင်မှုစစ်ဆေးရေး စင်တာသို့ ဆက်သွယ်ပါ။

ခွင့်ပြုချက်မရှိဘဲ ပြင်ဆင်ခြင်း သို့မဟုတ် ထိန်းသိမ်းခြင်းဆင်ခြင်းကြောင့် ဖြစ်ပွားရသည့် ဖျက်သည့်ပြဿနာအတွက်မဆို လုံးဝတာဝန်ယူမည် မဟုတ်ပါ။ အချို့သော ကိရိယာ အစိတ်အပိုင်းများ (ဥပမာ- အီလက်ထရိုလိုက်တစ် စွမ်းရည်ထိန်း ပစ္စည်း) သည် ပုံမှန် လဲလှယ်မှု လုပ်ရန် လိုအပ်သည်။ ပျမ်းမျှ သက်တမ်း ကွာခြားမှု ရှိသဖြင့် စစ်ဆေးရန် အကြံပြုသည်။ အသေးစိတ်အတွက် သင့်အား ပစ္စည်းရောင်းပေးသူအား ဆက်သွယ်ပါ။

**သန့်ရှင်းခြင်း**

ကျေးဇူးပြု၍ အတွင်းနှင့် အပြင်မျက်နှာပြင်များကို နူးညံ့ခြောက်သွေ့သော အဝတ်ဖြင့်သာ သန့်ရှင်းရေးလုပ်ပါ။ အယ်ကာလိုင်း ဆပ်ပြာမှုန့်များ မသုံးပါနှင့်။

**အသုံးပြုသည့် ပတ်ဝန်းကျင်**





လေဆာ ကိရိယာ တစ်စုံတစ်ခုကို အသုံးပြုနေပါက ကိရိယာ၏ မှန်ဘီလူးများ လေဆာရောင်ခြည် မထိမိစေရန် သတိပြုပါ သို့မဟုတ်ပါက လောင်ကျွမ်းသွားနိုင်သည်။

မှန်ဘီလူးများကို နေ သို့မဟုတ် တောက်ပသော အလင်းရောင်ရှိရာသို့ မချိန်ပါနှင့်။

အပူစုဆောင်းမှုမှ ရှောင်ရှားနိုင်ရန်အတွက် အသုံးပြုသည့် ပတ်ဝန်းကျင် သင့်လျော်ကောင်းမွန်စေရန် လေဝင်လေထွက်ကောင်းရန် လိုအပ်ပါသည်။

ကိရိယာကို ပူလွန်း၊ အေးလွန်းသော၊ ဖုန်ထူသော၊ လျှက်စားနိုင်သော၊ ဆားပါသည့် အယ်ကာလီ သတ္တိလွန်ကံသော သို့မဟုတ် စိုထိုင်းသော ပတ်ဝန်းကျင်များနှင့် မထိတွေ့မိပါစေနှင့်။ အပူချိန်နှင့် စိုထိုင်းဆ လိုအပ်ချက်များအတွက် ကိရိယာဆိုင်ရာ အသေးစိတ်အချက်များတွင် ရှုပါ။

စက်ကို လျှပ်စစ်သံလိုက်အားမြင့်သည့် ဓာတ်ရောင်ခြည်နှင့် မထိတွေ့မိပါစေနှင့်။

### ရောင်ပြန်

သက်ဆိုင်ရာမျက်နှာပြင်သည် ကင်မရာမှန်ဘီလူးနှင့် အလွန်မနီးကပ်ကြောင်း သေချာပါစေ။ ကင်မရာမှ IR အလင်းသည် အလင်းပြန်ခြင်းကြောင့် မှန်ဘီလူးထဲသို့ ရောင်ပြန်ဟပ်နိုင်သည်။

အဖြစ် အမျိုးအစားသတ်မှတ်ပါသည်။ ဤထုတ်ကုန်ပစ္စည်းမှ ထုတ်လွှတ်သော ရောင်ခြည်သည် အမြင်အာရုံအတွက် အန္တရာယ်ရှိနိုင်ပါသည်။ လုပ်ငန်းလုပ်ဆောင်နေသော မီးအရင်းအမြစ်ကို စိုက်မကြည့်ပါနှင့်။ မျက်စိများကို ထိခိုက်နိုင်ပါသည်။

သင့်တော်သော အကာအကွယ် သို့မဟုတ် မျက်စိအကာအကွယ် ဖန်လျှင် ကိရိယာကို တပ်ဆင်ခြင်း သို့မဟုတ် ထိန်းသိမ်းပြုပြင်ခြင်း ပြုလုပ်သည့်အခါ မီးသီးကို စိတ်ချရသော အကွာအဝေးတွင်သာ သို့မဟုတ် အလင်းနှင့် တိုက်ရိုက်မထိတွေ့သော နေရာတွင်သာ ဖွင့်ပါ။

### အရေးထိ

ကိရိယာမှ မီးနိုးဇွေ၊ ညှော်နှံစသည့် အနံ့၊ ဆူညံသံများ ထွက်လာလျှင် ပါဝါ ချက်ချင်းပိတ်၊ ပါဝါကေဘာသ် ဖြုတ်ပြီး ပြုပြင်ရေးစင်တာသို့ ဆက်သွယ်ပါ။

### အချိန် ညှိခြင်း

ဒေသစံတော်ချိန်သည် ကွန်ရက်နှင့် ချိန်ညှိထားခြင်း မရှိပါက ပထမဆုံးအကြိမ်တွင် ကိရိယာ၏ အချိန်ကို ကိုယ်တိုင်ထည့်သွင်းပါ။ ကိရိယာကို ဝက်ဘ်ဆိုက်/ကလိုင်ငံရင့် ခေ့ဘ်မှတစ်ဆင့် ဝင်ရောက်ပြီး အချိန် သတ်မှတ်ချက် အင်တာဖေ့စ်ကို သွားပါ။

5. Yanlış
6. A adımına dönüp devam edin.
7. Aksesuar olmayabilir. /Farklı aksesuar miktarı. /Gerekli değilse bu adımı atlayın.
8. MicroSD kart
9. Topraklama
10. Atma
11. Ayrıca satın alın
12. Olası seçenekler

### Görünüm (Sayfa 2 - B)

### Aksesuar ve Arayüz (Sayfa 4 - C)

- ① Sıfırlama Düğmesi: Kameraya güç verilirken veya yeniden başlatılırken kullanıcı adı, parola, IP adresi, bağlantı noktası no. vb. varsayılan yapıları sıfırlamak için sıfırlama düğmesine yaklaşık 10 sn basın.
- ② Hafıza Kartı Yuvası
- ③ Ağ Arayüzü
- ④ Güç Arayüzü
- ⑤ Ses arayüzü
- ⑥ RS-485 ve güç arayüzü
- ⑦ Alarm Arayüzü
- ⑧ GND

### Kamerayı Kurun (Sayfa 7 - D)

### Alarm Çıkışı (Sayfa 14 - E)

- ① Röle çıkışı
- ② DC yükü
- ③ Güç kaynağı
- ④ JQC-3FG Rölesi

### Dış Mekan Kurulumu için Koruyucu Önlemler (Sayfa 14 - F1) Ağ Kamerasını Etkinleştirme ve Ağ Kamerasına Erişme (Sayfa 14 - F2)

©2023 Hangzhou Hikvision Digital Technology Co., Ltd. Tüm hakları saklıdır.

### Bu Kilavuz hakkında

Kilavuz, Ürünün kullanımı ve yönetimi ile ilgili talimatlar içerir. Resimler, çizelgeler, görüntüler ve buradaki diğer tüm bilgiler, yalnızca tanımlama ve açıklama amaçlıdır. Kilavuzda bulunan bilgiler, yazılım güncellemeleri veya başka nedenlerden dolayı önceden haber verilmeksizin değiştirilebilir. Bu Kilavuzun en son sürümünü Hikvision web sitesinde (<https://www.hikvision.com/>) bulabilirsiniz. Lütfen Bu Kilavuzu, Ürünü destekleme konusunda eğitimli profesyonellerin rehberliği ve yardımı ile kullanın.

### Ticari Markalar

**HIKVISION**, ve diğer Hikvision ticari markaları ve logoları Hikvision'ın çeşitli yargı mercilerindeki mülkleridir. Bahsedilen diğer ticari markalar ve logolar ilgili sahiplerinin mülkiyetindedir.

### YASAL UYARI

YÜRÜRLÜKTEKİ YASALARIN İZİN VERDİĞİ AZAMI ÖLÇÜDE, BU KILAVUZ VE AÇIKLANAN ÜRÜN, DONANIMI, YAZILIMI VE ÜRÜN YAZILIMI İLE "OLDUĞU GİBİ" VE "TÜM ARIZALAR VE HATALAR İLE " SAĞLANIR. HIKVISION, SINIRLANDIRMA, TİCARİ OLABİLİRLİK, MEMNUNİYET KALİTESİ VEYA BELİRLİ BİR AMACA UYGUN OLMAKSIZIN AÇIK VEYA ZİMİNİ HİÇBİR GARANTİ VERMEZ. ÜRÜNÜN SİZİN TARAFINIZDAN KULLANIMI KENDİ SORUMLULUĞUNUZDADIR. HIKVISION HİÇBİR DURUMDA, BU ÜRÜNÜN KULLANIMI İLE BAĞLIANTILI OLARAK, HIKVISION BU TÜR HASARLARIN OLAŞIĞI HAKKINDA BİLGİLENDİRİLMİŞ OLSA BİLE, İŞ KARLARININ KAYBI, İŞ KESİNTİSİ, VERİ KAYBI, SİSTEM KESİNTİSİ, BELGE KAYBI, SÖZLEŞMENİN İHLALI (İHMAL DAHİL), ÜRÜN SORUMLULUĞU GİBİ ZARARLAR DA DAHİL OLMAK ÜZERE, ÖZEL, SONUÇLU, TESADUFİ VEYA DALAYLI ZARARLAR İÇİN SİZİ KARŞI SORUMLU OLMAYACAKTIR.

İNTERNETİN DOĞASININ DOĞAL GÜVENLİK RİSKLERİ BARINDIRDIĞINI KABUL EDİYORSUNUZ VE HIKVISION, SİBER SALDIRI, HACKER SALDIRISI, VİRÜS BULAŞMASI VEYA DİĞER İNTERNET GÜVENLİK RİSKLERİNDE KAYNAKLANAN ANORMAL KULLANIM, GİZLİLİK SIZINTISI VEYA DİĞER ZARARLAR İÇİN HERHANGİ BİR SORUMLULUK KABUL ETMEZ; ANCAK, HIKVISION GEREKİRSE ZAMANINDA TEKNİK DESTEK SAĞLAYACAKTIR.

## Türkçe

Ürünü kullanmadan önce bu kılavuzu okuyun. Ürün görünümünü sadece referans içindir ve gerçek ürün farklı olabilir.

### Semboller ve İşaretler (Sayfa 1 - A)

1. Dikkat
2. Uyarı
3. Yasak
4. Doğru

BU ÜRÜNÜ GEÇERLİ TÜM YASALARA UYGUN OLARAK KULLANMAYI KABUL EDİYORSUNUZ VE KULLANIMINIZIN GEÇERLİ YASALARA UYGUN OLMASINI SAĞLAMAKTAN ZORUNLU SİZ SORUMLUSUNUZ. ÖZELLİKLE, BU ÜRÜNÜ, SINIRLAMA OLMAKSIZIN, TANITIM HAKLARI, FIKRİ MÜLKİYET HAKLARI VEYA VERİ KORUMA VE DİĞER GİZLİLİK HAKLARI DA DAHİL OLMAK ÜZERE ÜÇÜNCÜ TARAFLARIN HAKLARINI İHLAL ETMEYECEK ŞEKİLDE KULLANMaktan SİZ SORUMLUSUNUZ. BU ÜRÜNÜ, KİTLE İMHA SİLAHLARININ GELİŞTİRİLMESİ VEYA ÜRETİMİ, KİMYASAL VEYA BİYOLOJİK SİLAHLARIN GELİŞTİRİLMESİ VEYA ÜRETİMİ, HERHANGİ BİR NÜKLEER PATLAYICI VEYA GÜVENLİ OLMAYAN NÜKLEER YAKIT DÖNGÜSÜ İLE İLGİLİ HERHANGİ BİR FAALİYETTE VEYA İNSAN HAKLARI İHLALLERİNİ DESTEKLEMEK DE DAHİL YASAKLANMIŞ SON KULLANIMLAR İÇİN KULLANMAZSINIZ. BU KILAVUZ İLE İLGİLİ YASA ARASINDA HERHANGİ BİR ÇELİŞKİ OLMASINI DURUMUNDA, İKİNCİSİ GEÇERLİDİR.

## Mezvuat Bilgisi

**Bu maddeler, yalnızca ilgili işarete veya bilgiye sahip ürünler için geçerlidir.**

## AB Uygunluk Beyanı



Bu ürün ve (varsa) birlikte verilen aksesuarlar "CE" işaretlidir ve bu nedenle EMC Direktifi 2014/30/EU, LVD Direktifi 2014/35/EU, RoHS Direktifi

2011/65/EU altında listelenen geçeri uyumlaştırılmış Avrupa standartlarına uygundur.



2012/19/EU (WEEE direktifi): Bu simgeyle işaretlenen ürünler, Avrupa Birliği'nde ayrıştırılmaması belediye atığı olarak yok edilemez.



Doğru geri dönüşüm için, eşdeğer yeni ekipman satın aldıktan sonra bu ürünü yerel tedarikçinize

ide edin veya belirtilen toplama noktalarına imha edin. Daha fazla bilgi için bkz: [www.recyclethis.info](http://www.recyclethis.info)



2006/66/EC ve değişiklik 2013/56/EU (batarya direktifi): Bu ürün, Avrupa Birliği'nde ayrıştırılmaması belediye atığı olarak imha edilemeyen bir pil içerir. Özel pil bilgileri için ürün belgelerine bakın. Pil, kadmilyum (Cd), kurşun (Pb) veya cıva (Hg)

içerdiğini belirtmek bu simgeyle işaretlenmiştir. Doğru geri dönüşüm için pili tedarikçinize veya belirlenmiş bir toplama noktasına ide edin. Daha fazla bilgi için bkz: [www.recyclethis.info](http://www.recyclethis.info).

## Uyarı

Bu, A sınıfı bir üründür. Ev ortamında bu ürün radyo parazitine neden olabilir, bu durumda kullanıcının uygun önlemleri alması gerekebilir.

## Güvenlik Talimatları



### Uyarılar

#### Yasalar ve Yönetmelikler

Cihaz yerel yasalara, elektrik güvenliği yönetmeliklerine ve yangın önleme yönetmeliklerine uygun şekilde kullanılmalıdır.

#### Elektrik Güvenliği

DİKKAT: Yangın riskini azaltmak için, sadece aynı tip ve değerde sigorta ile değiştirin.

Bu ekipman, yeniden başlama riskini önlemek için UPS ile kurulmalıdır.

Ekipman topraklı bir elektrik prizine takılmalıdır.

Ekipmanın dışında, uygun güç değerlerine sahip erişime hazırlı bağlantı kesme cihazı yer almalıdır.

Uygun güç değerlerine sahip bir aşırı akım koruyucu cihaz binanın spesifikasyonunu aşmayacak şekilde ekipmanın dışında yer almalıdır.

Binanın elektrik tesisatına tümü kutuplu bir sebebe anahtarlı dâhil edilmelidir.

#### Pil

Bu ekipman çocukların olma ihtimalinin bulunduğu yerlerde kullanılmı için uygun değildir.

DİKKAT: Pil yanlış bir türle değiştirildiğinde patlama riski.

Pilin yanlış türde bir pille uygun olmayan şekilde değiştirilmesi koruyamı geçersiz hale getirebilir (örneğin, bazı lityum pil türleri).

Pili ateşe veya sıcak fırına atmayın veya pili mekanik olarak patlayabilecek şekilde ezmeyin veya kesmeyin.

Pili, patlamaya veya yanıcı sıvı veya gaz sızıntısına neden olabilecek aşırı yüksek sıcaklıktaki bir ortamda bırakmayın.

Pili, patlamaya veya yanıcı sıvı veya gaz sızıntısına neden olabilecek aşırı düşük hava basıncına maruz bırakmayın.

Bitmiş pilleri yönetmeliklere göre atın.



#### Dikkat

#### Elektrik Güvenliği

AC şebeke kaynağına bağlantı için terminallerin doğru kablo tesisatına sahip olduğundan emin olun.

Ekipman gerektiğinde BT güç dağıtım sistemine bağlanmak üzere değiştirilmiştir.

#### Yangın Önleme

Ekipmanın üzerine yanan mum gibi alev kaynakları konulmamalıdır.

Ekipmanın seri portu sadece hata ayıklama için kullanılır.

#### Sıcak Yüzey

DİKKAT: Sıcak parçalar! Parçaları tutduğunuzda parmaklarınızı yanabilir.



Bu çıkartma, işaretli parçanın sıcak olabileceğini ve parçaya dikkat edilmeden dokunulmaması gerektiğini belirtmektedir. Kapattıktan sonra parçaları tutmadan önce

bir buçuk saat bekleyin.

Bu çıkartmaya sahip cihaz, sınırlı bir erişim konumuna kurulum için tasarlanmıştır. Sadece servis personeli veya konuma uygulanan kısıtlamaların nedenleri ve alınması gereken önlemler hakkında bilgilendirilmiş kullanıcılar tarafından erişim sağlanabilir.

#### Montaj

Ekipmanı bu kılavuzdaki talimatlara göre kurun.

Cihazı ve aksesuarları kurmak için yeterli alan olduğundan emin olun.

Duvarın, kamera ve montaj düzeneği ağırlığının en az 8 katına dayanacak kadar güçlü olduğundan emin olun.

Cihazı bağlamadan, kurmadan veya sökmeden önce gücün kesildiğinden emin olun.

#### Ulaşım

Cihazı taşıırken orijinal ambalajının veya benzer bir ambalajın içerisine koyun.

Ürünü düşürmeyin veya fiziksel darbeye maruz bırakmayın.

#### Güç Kaynağı

Güç kaynağı, IEC 60950-1 veya IEC 62368-1 standardına göre sınırlı güç kaynağı veya PS2 gereksinimlerini karşılamalıdır.

Standart güç kaynağı için cihaz etiketine bakın. Lütfen güç kaynağınızın cihazınızla eşleştiğinden emin olun.

Yetkili üreticiler tarafından sağlanan bir güç adaptörü kullanın. Adaptör aşırı yüklenmesi aşırı ısınmaya veya yangın tehlikesine neden olabileceğinden, her cihaz için bağımsız bir güç adaptörü sağlanması önerilir.

#### Sistem Güvenliği

Tüm parolaların ve cihazla ilgili diğer güvenlik ayarlarının yapılandırılması ve kullanıcısı ile parolaların korunması sorumluluğunun size ait olduğunu lütfen unutmayın.

#### Bakım

Ürün düzgün şekilde çalışmıyorsa lütfen bayiinizle veya en yakın servis merkezine iletişime geçin. Yetkisiz onarım veya bakımın kaynaklanan sorunlar için herhangi bir sorumluluk kabul etmeyiz.

Cihazın birkaç parçası (ör. Elektrolitik kapasitör) düzenli olarak değiştirilmelidir. Ortalama parça ömrü değişiklik göstermektedir bu nedenle periyodik kontrol önerilmektedir. Ayrıntılar için satıcınızla iletişime geçin.

#### Temizleme

İç ve dış yüzeyleri temizlemek için lütfen yumuşak ve kuru bir bez kullanın. Alkalın deterjanlar kullanmayın.

#### Kullanma Ortamı

Herhangi bir lazer ekipmanı kullanılırken cihaz merceğinin, lazer ışınına maruz kalmadığından emin olun aksi takdirde yanabilir.

Lensi, güneşe veya herhangi bir parlak ışığa doğru tutmayın.

Isı birikimini önlemek için düzgün bir çıkışma ortamında iyi bir havalandırma gerekmektedir.

Cihazı aşırı sıcak, soğuk, tozlu, aşındırıcı, tuzlu-alkali veya rutubetli ortamlara maruz bırakmayın. Sıcaklık ve nem gereksinimlerini için cihaz özelliklerine bakın.

Cihazı yüksek elektromanyetik radyasyona MARUZ BIRAKMAYIN.

#### Аydınlatıcı

Камера лентсе çok yakın bir yansıtıcı yüzey olmadıđından emin olun. Kameradan gelen kılızötesi ışığı, lensin içine geri yansıtılabilir ve bu durum görünüde yansımaya neden olur. Bu üründen olası tehlikeli optik ışınım yayılabilir. Yanan ışık kaynağına doğrudan BAKMAYIN. Gözleriniz için zararlı olabilir.

Uygun perdeleme veya göz koruması yoksa, cihazı kurarken veya bakımını yaparken ışığı sadece güvenli bir mesafede veya ışığı doğrudan maruz kalmayan alanda açın.

#### Acil Durum

Cihazdan duman, koku veya ses geliyorsa hemen gücü kapatarak güç kablosunun bağlantısını kesin ve servis merkezimize iletişime geçin.

#### Saat Senkronizasyonu

Yerel saat, ađın saatiyle senkronize deđilse cihaz saatinin ilk kez erişimde manuel olarak ayarlayın. Web tarama / istemci yazılımı ile cihaza giderek zaman ayarları arayüzüne girin.

## Русский

Перед использованием изделия прочитайте данное руководство.

Внешний вид изделия зависит от конкретной модели. Рисунки приведены только для справки.

#### Символы и знаки (стр. 1 – А)

1. Примечание
2. Внимание
3. Запрещено
4. Правильно
5. Неправильно
6. Перейдите к шагу А и продолжите.
7. Эта принадлежность может отсутствовать в комплекте поставки. /Количество принадлежностей зависит от модели устройства. /Пропустите этот шаг, если он не требуется.
8. Карта памяти MicroSD
9. Заземление
10. Утилизация
11. Приобретается отдельно
12. Возможные опции

#### Внешний вид (стр. 2 - В)

#### Аксессуары и интерфейсы (стр. 4 - С)

- ① Кнопка сброса: для восстановления параметров по умолчанию, включая имя пользователя, пароль, IP-адрес, номер порта и т. д., нажмите кнопку сброса и удерживайте ее приблизительно 10 секунд, когда камера находится в режиме включения или перезагрузки.
- ② Слот для карты памяти
- ③ Сетевой интерфейс
- ④ Гнездо электропитания
- ⑤ Аудиоинтерфейс
- ⑥ RS-485 и интерфейс электропитания
- ⑦ Интерфейс сигнализации
- ⑧ GND

#### Установка камеры (стр. 7 – D)

#### Тревожный выход (стр. 14 – E)

- ① Релейный выход
- ② Нагрузка для источника питания постоянного тока
- ③ Источник питания
- ④ Реле JQC-3FG

#### Защитные меры для наружной установки (стр. 14 – F1)

#### Активация сетевой камеры и доступ к ней (стр. 14 – F2)

#### права защищены.

#### О данном Руководстве

В Руководстве содержится инструкции по эксплуатации Изделия. Фотографии, схемы, иллюстрации и прочие материалы приведены исключительно в качестве описаний и пояснений. Информация, приведенная в Руководстве, может быть изменена без предварительного уведомления в связи с обновлением микропрограммы или по другим причинам. Используйте последнюю редакцию Руководства. Ее можно найти на веб-сайте компании Hikvision (<https://www.hikvision.com/>).

Используйте Руководство под наблюдением специалистов, обученных обслуживанию Изделия.

#### Торговые марки

**HIKVISION** и все другие товарные знаки и логотипы Hikvision являются собственностью компании Hikvision в различных юрисдикциях.

Другие товарные знаки и логотипы, упоминаемые в Руководстве, являются собственностью соответствующих владельцев.

#### ОГРАНИЧЕНИЕ ОТВЕТСТВЕННОСТИ

В МАКСИМАЛЬНОЙ СТЕПЕНИ, РАЗРЕШЕННОЙ ДЕЙСТВУЮЩИМ ЗАКОНОДАТЕЛЬСТВОМ, ДАННОЕ РУКОВОДСТВО И ОПИСАНИЕ ИЗДЕЛИЯ ВМЕСТЕ С АППАРАТНОЙ ЧАСТЬЮ, ПРОГРАММНЫМ ОБЕСПЕЧЕНИЕМ И ВСТРОЕННОЙ МИКРОПРОГРАММОЙ ПРЕДОСТАВЛЯЕТСЯ ПО ПРИНЦИПУ «КАК ЕСТЬ» И «СО ВСЕМИ НЕПОЛАДКАМИ И ОШИБКАМИ». КОМПАНИЯ HIKVISION НЕ ДАЕТ НИ ЯВНЫХ, НИ ПОДРАЗУМЕВАЕМЫХ ГАРАНТИЙ, В ТОМ ЧИСЛЕ ГАРАНТИЙ ТОВАРНОЙ ПРИГОДНОСТИ И УДОВЛЕТВОРИТЕЛЬНОГО КАЧЕСТВА, КАК И ПРИГОДНОСТИ ДЛЯ КОНКРЕТНЫХ ЦЕЛЕЙ.

ПОТРЕБИТЕЛЬ ИСПОЛЬЗУЕТ ИЗДЕЛИЕ НА СВОЙ СТРАХ И РИСК. НИ ПРИ КАКИХ ОБСТОЯТЕЛЬСТВАХ КОМПАНИЯ HIKVISION НЕ НЕСЕТ ОТВЕТСТВЕННОСТИ ПЕРЕД ПОТРЕБИТЕЛЕМ НИ ЗА ФАКТИЧЕСКИ ПОНЕСЕННЫЙ, НИ ЗА ПОСЛЕДУЮЩИЙ, КАК ПРЯМОЙ, ТАК И КОСВЕННЫЙ, УЩЕРБ, ВКЛЮЧАЯ УБЫТКИ В ВИДЕ УПУЩЕННОЙ ПРИБЫЛИ, ПЕРЕРЫВОВ В ДЕЯТЕЛЬНОСТИ, ПОТЕРИ ДАННЫХ, ДОКУМЕНТАЦИИ ИЛИ ПОВРЕЖДЕНИЯ СИСТЕМ, БУДУТ ТО ПО ПРИЧИНЕ НАРУШЕНИЯ ДОГОВОРА, ПРОТИВОПРАВНЫХ ДЕЙСТВИЙ (В ТОМ ЧИСЛЕ ХАЛАТНОСТИ), НАСТУПЛЕНИЯ ОТВЕТСТВЕННОСТИ ЗА ИЗДЕЛИЕ ИЛИ ИНЫХ ОБСТОЯТЕЛЬСТВ В СВЯЗИ С ИСПОЛЬЗОВАНИЕМ ДАННОГО ИЗДЕЛИЯ, ДАЖЕ ЕСЛИ КОМПАНИЯ HIKVISION БЫЛО ИЗВЕСТНО О ВОЗМОЖНОСТИ ТАКОГО УЩЕРБА И УБЫТКОВ.

ПОТРЕБИТЕЛЬ ОСОЗНАЕТ, ЧТО ИНТЕРНЕТ ПО СВОЕЙ ПРИРОДЕ ЯВЛЯЕТСЯ ИСТОЧНИКОМ ПОВЫШЕННОГО РИСКА БЕЗОПАСНОСТИ И КОМПАНИЯ HIKVISION НЕ НЕСЕТ ОТВЕТСТВЕННОСТИ ЗА СБОИ В РАБОТЕ ОБОРУДОВАНИЯ, УТЕЧКУ ИНФОРМАЦИИ И ДРУГОЙ УЩЕРБ, ВЫЗВАННЫЙ КИБЕРАТАКАМИ, ХАКЕРАМИ, ВИРУСАМИ ИЛИ СЕТЕВЫМИ УГРОЗАМИ; ОДНАКО НАША КОМПАНИЯ ОБЕСПЕЧИВАЕТ СВОЕВРЕМЕННУЮ ТЕХНИЧЕСКУЮ ПОДДЕРЖКУ, ЕСЛИ ЭТО НЕОБХОДИМО.

ПОТРЕБИТЕЛЬ СОГЛАШАЕТСЯ ИСПОЛЬЗОВАТЬ ДАННОЕ ИЗДЕЛИЕ В СООТВЕТСТВИИ СО ВСЕМИ ПРИМЕНИМЫМИ ЗАКОНАМИ И НЕСЕТ ЛИЧНУЮ ОТВЕТСТВЕННОСТЬ ЗА ИХ СОБЛЮДЕНИЕ. В ЧАСТНОСТИ, ПОТРЕБИТЕЛЬ НЕСЕТ ОТВЕТСТВЕННОСТЬ ЗА ИСПОЛЬЗОВАНИЕ ДАННОГО ИЗДЕЛИЯ БЕЗ НАРУШЕНИЯ ПРАВ ТРЕТЬИХ ЛИЦ, В ТОМ ЧИСЛЕ ПРАВ ПУБЛИЧНОСТИ, ИНТЕЛЛЕКТУАЛЬНОЙ СОБСТВЕННОСТИ И ЗАЩИТЫ ДАННЫХ. ПОТРЕБИТЕЛЬ ОБЯЗУЕТСЯ НЕ ИСПОЛЬЗОВАТЬ ЭТО ИЗДЕЛИЕ В ЗАПРЕЩЕННЫХ ЦЕЛЯХ, В ТОМ ЧИСЛЕ ДЛЯ РАЗРАБОТКИ ИЛИ ПРОИЗВОДСТВА ОРУЖИЯ МАССОВОГО УНИЧТОЖЕНИЯ, ХИМИЧЕСКОГО ИЛИ БИОЛОГИЧЕСКОГО ОРУЖИЯ, ОСУЩЕСТВЛЕНИЯ КАКОЙ-ЛИБО ДЕЯТЕЛЬНОСТИ В КОНТЕКСТЕ ЯДЕРНОГО ОРУЖИЯ, НЕБЕЗОПАСНЫХ ОПЕРАЦИЙ С ЯДЕРНЫМ ТОПЛИВОМ ИЛИ ДЛЯ ПОДДЕРЖКИ НАРУШЕНИЙ ПРАВ ЧЕЛОВЕКА. В СЛУЧАЕ РАЗНОЧТЕНИЙ МЕЖДУ НАСТОЯЩИМ РУКОВОДСТВОМ И ДЕЙСТВУЮЩИМ ЗАКОНОДАТЕЛЬСТВОМ, ПОСЛЕДНЕЕ ИМЕЕТ ПРИОРИТЕТ.

#### Нормативно-правовая информация

Данные положения применяются только в том случае, если изделие снабжено соответствующей отметкой или информацией.

## Соответствие стандартам ЕС



Этот продукт и (если применимо) поставляемые аксессуары имеют маркировку «CE» и соответствуют применимым согласованным Европейским стандартам, перечисленным в Директиве по электромагнитной совместимости 2014/30/EU EMC, Директиве по низковольтному оборудованию 2014/35/EU и Директиве по ограничению использования опасных веществ 2011/65/EU RoHS.



Директива WEEE 2012/19/EU (по утилизации отходов электрического и электронного оборудования): продукты, отмеченные этим символом, запрещено утилизировать в Европейском союзе в качестве несортированных муниципальных отходов. Для надлежащей переработки возвратите этот продукт местному поставщику после покупки эквивалентного нового оборудования или утилизируйте его в предназначенных для этого пунктах сбора отходов. Для получения дополнительной информации см. [www.recyclthis.info](http://www.recyclthis.info)



Директива 2006/66/ЕС и поправка к ней 2013/56/EU (сведения о батарее): этот продукт содержит батарею, которую запрещено утилизировать в Европейском союзе в качестве несортированных муниципальных отходов. Для получения точной информации о батарее см. документацию к продукту. Маркировка батареи может включать символы, которые определяют ее химический состав: кадмий (Cd), свинец (Pb) или ртуть (Hg). Для надлежащей утилизации отправьте батарею местному поставщику или утилизируйте ее в специальных пунктах приема отходов. Для получения дополнительной информации посетите веб-сайт [www.recyclthis.info](http://www.recyclthis.info).

## Внимание

Данное оборудование относится к классу «А». При использовании в бытовых целях данное оборудование может вызвать радиопомехи. В этом случае пользователю может потребоваться предпринять адекватные меры по их устранению.

## Инструкции по безопасности



### Меры предосторожности

#### Законодательные акты и нормативные документы

При использовании этого устройства необходимо соблюдать местное законодательство, правила безопасной эксплуатации электрооборудования и правила противопожарной безопасности.

#### Электробезопасность

**ПРЕДУПРЕЖДЕНИЕ!** Для снижения риска возникновения пожара используйте для замены предохранителя только соответствующего типа и номинала.

Данное устройство следует устанавливать вместе с источником бесперебойного питания (ИБП) для предотвращения перезапуска.

Оборудование должно быть подключено к заземленной розетке.

Снаружи корпуса оборудования необходимо установить легкодоступное устройство отключения с соответствующими параметрами.

Снаружи корпуса оборудования необходимо установить внешнее устройство защиты от сверхтока с соответствующими параметрами. Это устройство также должно соответствовать спецификации электрооборудования здания.

В электросистеме здания должен быть установлен многополюсный сетевой выключатель.

#### Батарея

Данное устройство не предназначено для использования в тех местах, где могут находиться дети.

**ПРЕДУПРЕЖДЕНИЕ!** При установке батареи недопустимого типа существует риск взрыва.

Установка батареи недопустимого типа может создать

угрозу для безопасности (например, в случае некоторых типов литиевых батарей).

Не бросайте батарею в огонь или горячую печь, не сдавливайте и не разрезайте батарею, поскольку это может привести к взрыву.

Нахождение батареи в среде с чрезвычайно высокой температурой может привести к взрыву или к утечке горячей жидкости или газа.

Нахождение батареи в среде с чрезвычайно низким давлением воздуха может привести к взрыву или к утечке горячей жидкости или газа.

Утилизируйте использованные батареи в соответствии с инструкциями.



### Предостережения

#### Электробезопасность

Проверьте правильность подключения клемм к сети переменного тока.

Оборудование разработано таким образом, чтобы при необходимости его можно было модифицировать для подключения к ИТ-системе распределения электроэнергии.

#### Предотвращение пожара

Не ставьте на устройство источники открытого огня, например горящие свечи.

Последовательный порт оборудования предназначен только для отладки.

#### Горячая поверхность

**ПРЕДУПРЕЖДЕНИЕ!** Горячие детали! Опасность ожога пальцев при обращении с деталями.



Эта наклейка указывает на то, что данный компонент может быть горячим, и его нельзя трогать, не предприняв соответствующих мер

предосторожности. Перед прикосновением к деталям устройства подождите полчаса после его выключения. Устройство с этой наклейкой предназначено для установки в зонах с ограниченным доступом. Доступ в эти зоны могут иметь только специалисты по техобслуживанию или пользователи, осведомленные о причинах ограничения доступа в эти зоны и о необходимых мерах предосторожности.

#### Установка

Установите оборудование в соответствии с инструкциями, приведенными в настоящем руководстве.

Убедитесь в наличии достаточного места для установки устройства и аксессуаров.

Убедитесь, что стена достаточно прочная, чтобы выдержать 8-кратный вес камеры и ее крепления.

Убедитесь, что питание отключено, прежде чем подключать кабели, устанавливая или разбирая устройство.

#### Транспортировка

Используйте оригинальную или схожую упаковку для транспортировки устройства.

Не роняйте и не ударяйте устройство.

#### Электроснабжение

источник питания должен соответствовать требованиям к ограниченному напряжению питания или требованиям PS2 согласно стандарту IEC 60950-1 или IEC 62368-1.

Стандартные параметры источника питания указаны на этикетке устройства. Убедитесь, что параметры источника питания соответствуют параметрам вашего устройства.

Используйте адаптер питания, поставляемый сертифицированным изготовителем. Рекомендуется использовать отдельные адаптеры питания для каждого устройства, так как перегрузка адаптера может привести к перегреву и/или возникновению пожара.

#### Безопасность системы

Помните, что вы несете ответственность за конфигурирование всех паролей и прочих параметров безопасности устройства, а также за сохранность своего имени пользователя и пароля.

#### Техническое обслуживание

Если изделие не работает должным образом, обратитесь к дилеру или к специалистам ближайшего сервисного центра. Компания-изготовитель не несет ответственности за неисправности, возникшие в результате несанкционированного ремонта или технического обслуживания.

Некоторые компоненты устройства (например, электролитические конденсаторы) требуют регулярной замены. Средний срок службы этих компонентов может различаться, поэтому советуем периодически их проверять. Подробности уточняйте у продавца.

#### Очистка

Для очистки внутренних и наружных поверхностей используйте мягкую и сухую ткань. Запрещается использовать щелочные моющие средства.

#### Требования к рабочей среде

При использовании любого лазерного оборудования убедитесь, что в объектив устройства не попадает лазерный луч, иначе он может выгореть.

Не направляйте объектив устройства на солнце или другие яркие источники света.

Для обеспечения надлежащих условий эксплуатации и предотвращения перегрева требуется хорошая вентиляция.

ЗАПРЕЩАЕТСЯ устанавливать устройство в условиях воздействия экстремально высоких или низких температур, пыли, коррозионных, солевых и щелочных веществ, а также во влажной среде. Требования к температуре и влажности приведены в технических характеристиках устройства.

ЗАПРЕЩАЕТСЯ устанавливать устройство в условиях воздействия сильного электромагнитного излучения.

#### Освещение

Убедитесь, что в непосредственной близости от объектива камеры нет отражающих поверхностей. Инфракрасный свет от камеры может отражаться от таких поверхностей и попадать обратно в объектив.

Данное изделие может испускать опасное оптическое излучение. ЗАПРЕЩАЕТСЯ смотреть на работающий источник света. Это может быть вредно для глаз.

Если соответствующая защита для глаз недоступна, включайте свет только на безопасном расстоянии или в области, которая непосредственно не подвергается воздействию света при установке или обслуживании устройства.

#### Кнопка подачи экстренного сигнала тревоги

Если устройство испускает дым, неприятный запах или шум, немедленно отключите электропитание, извлеките шнур питания и обратитесь в сервисный центр.

#### Синхронизация времени

Если локальное время не было синхронизировано с сетевым временем, выполните ручную настройку времени устройства при первом доступе. Зайдите на устройство через веб-браузер/программное обеспечение клиента и перейдите к интерфейсу настройки времени.

## Українська

Прочитайте цю інструкцію перед початком використання пристрою.

Зовнішній вигляд виробу зображено лише для довідки; вигляд фактичного виробу може відрізнятися.

#### Символи та позначки (сторінка 1 – А)

1. Примітка
2. Увага
3. Заборонено
4. Правильно
5. Неправильно
6. Перейдіть до кроку А і продовжуйте.
7. Опційний аксесуар. /Аксесуар перемінної кількості.  
/Пропустіть цей крок, якщо не потрібно.
8. Картка MicroSD
9. Заземлення
10. Утилізація
11. Придбати окремо

#### 12. Можливі опції

##### Зовнішній вигляд (сторінка 2 - В)

##### Аксесуари та інтерфейси (сторінка 4 - С)

- ① Кнопка скидання: натисніть та утримуйте кнопку скидання протягом близько 10 секунд під час вмикання або перезапуску камери, щоб відновити стандартні налаштування, такі як ім'я відеонавчача, пароль, IP-адреса, № порту тощо.
- ② Гніздо карти пам'яті
- ③ Мережевий інтерфейс
- ④ Інтерфейс живлення
- ⑤ Роз'єм аудіо
- ⑥ Інтерфейс живлення та RS-485
- ⑦ Інтерфейс сигналів тривоги
- ⑧ ЗАЗЕМЛЕННЯ

##### Встановлення камери (сторінка 7 – D)

##### Виведення сигналів тривоги (сторінка 14 – E)

- ① Релейний вихід
- ② Навантаження пост. струму
- ③ Живлення
- ④ Реле JQC-3FG

##### Захисні заходи для встановлення надворі (сторінка 14 – F1)

##### Активізація мережевої камери й доступ до неї (сторінка 14 – F2)

© 2023 Hangzhou Hikvision Digital Technology Co., Ltd. Усі права застережено.

#### Про цю Інструкцію

Ця Інструкція містить вказівки з використання Виробу та керування ним. Рисунки, діаграми, зображення та вся інша інформація в цьому документі надається лише для опису та пояснення. Інформація, що міститься в Інструкції, може змінюватися без попередження внаслідок оновлення прошивки чи з інших причин. З останньою версією цієї інструкції можна ознайомитися на вебсайті Hikvision (<https://www.hikvision.com/>).

Використовуйте Інструкцію під наглядом фахівців, які навчені обслуговувати Виріб.

#### Торгові марки

**HIKVISION** та інші торгові марки компанії Hikvision і логотипи є власністю компанії Hikvision у різних юрисдикціях.

Інші наведені торгові марки та логотипи є власністю їх відповідних власників.

#### ОБМЕЖЕННЯ ВІДПОВІДАЛЬНОСТІ

В МАКСИМАЛЬНИХ МЕЖАХ, ДОВОЛЕНИХ ЗАСТОСУВАННЯМ ЗАКОНОМ, ЦЕ КЕРІВНИЦТВО ТА ОПИСАНИЙ ВИРІБ, З ЙОГО АПАРАТНИМ, ПРОГРАМНИМ ТА МІКРОПРОГРАМНИМ ЗАБЕЗПЕЧЕННЯМ, НАДАЮТЬСЯ «ЯК Є» ТА «ЗІ ВСІМА НЕДОЛІКАМИ ТА ПОМИЛКАМИ». HIKVISION НЕ НАДАЄ ЖОДИНХ ГАРАНТІЙ, ЯВНИХ АБО ОЧКУВАНИХ, ВКЛЮЧАЮЧИ, БЕЗ ОБМЕЖЕНЬ, КОМЕРЦІЙНІ ЯКОСТІ, ЗАДОВІЛЬНУ ЯКІСТЬ АБО ПРИДАТНІСТЬ ДЛЯ ХАРАКТЕРНОЇ МЕТИ. ВИКОРИСТАННЯ ВИРОБУ ВІДБУВАЄТЬСЯ НА ВАШ ВЛАСНИЙ РИЗИК. КОМПАНІЯ HIKVISION НЕ В ЯКОМУ РАЗІ НЕ НЕСЕ ВІДПОВІДАЛЬНОСТІ ПЕРЕД ВАМИ ЗА БУДЬ-ЯКІ СПЕЦІАЛЬНІ, ЛОГІЧНО ВИТКАЮЧІ, ВИПАДКОВІ АБО НЕПРЯМІ ЗБИТКИ, ВКЛЮЧАЮЧИ, КРІМ ІНШОГО, ПОШКОДЖЕННЯ, ЩО ВЕДУТЬ ДО ВТРАТИ КОМЕРЦІЙНОГО ПРИБУТКУ, ПЕРЕРИВАННЯ ДІЛОВОЇ АКТИВНОСТІ АБО ВТРАТИ ДАНИХ, ПСУВАННЯ СИСТЕМ АБО ВТРАТИ ДОКУМЕНТАЦІЇ, НЕВАЖЛИВО, ЧИ ВНАСЛІДОК ПОРУШЕННЯ КОНТРАКТУ, ЦИВІЛЬНОГО ПРАВПОРУШЕННЯ (ВКЛЮЧАЮЧИ НЕДБАЛИСТЬ), ВІДПОВІДАЛЬНОСТІ ЗА ВИРІБ, АБО ІНШИМ ЧИНОМ, ПОВ'ЯЗАНІ З ВИКОРИСТАННЯМ ВИРОБУ, НАВІТЬ ЯКЩО КОМПАНІЯ HIKVISION ПОВІДОМЛЯЛА ПРО МОЖЛИВІСТЬ ТАКИХ ЗБИТКІВ АБО ВТРАТ. ВИ УСВІДОМЛЮЄТЕ, ЩО ПРИРОДА ІНТЕРнету НЕ СЕ ПРИБАМАННІ РИЗИКИ ДЛЯ БЕЗПЕКИ, І КОМПАНІЯ HIKVISION НЕ БЕРЕ НА СЕБЕ НІЯКОЇ ВІДПОВІДАЛЬНОСТІ ЗА НЕНОРМАЛЬНУ РОБОТУ, ВТРАТУ КОНФІДЕНЦІЙНОСТІ АБО ІНШІ ЗБИТКИ В РЕЗУЛЬТАТІ КІБЕР-АТАК, ХАКЕРСЬКИХ АТАК, ЗАРАЖЕНЬ ВІРУСАМИ АБО ІНШИХ РИЗИКІВ ДЛЯ БЕЗПЕКИ

В ІНТЕРНЕТІ, ОДНАК, КОМПАНІЯ HIKVISION В РАЗІ НЕОБХІДНОСТІ НАДАЄТЬ СВОЄЧАСНУ ТЕХНІЧНУ ПІДТРИМКУ.

ВИ ПОГОДЖУЄТЕСЬ ВИКОРИСТОВУВАТИ ЦЕЙ ВИРІБ У ВІДПОВІДНОСТІ ДО ВСІХ ЗАСТОСОВУВАНИХ ЗАКОНІВ, І ВИ НЕСЕТЕ ОДНООСІБНУ ВІДПОВІДАЛЬНІСТЬ ЗА ЗАБЕЗПЕЧЕННЯ ВИКОРИСТАННЯ ВИРОБУ ВІДПОВІДНО ДО ЗАСТОСОВУВАНОГО ЗАКОНУ. ЗОКРЕМА, ВИ НЕСЕТЕ ВІДПОВІДАЛЬНІСТЬ ЗА ВИКОРИСТАННЯ ЦЬОГО ВИРОБУ СПОСОБОМ, ЯКИЙ НЕ ПОРУШУЄ ПРАВА ТРЕТІХ СТОРІН, ВКЛЮЧАЮЧИ, БЕЗ ОБМЕЖЕНЬ, ПРАВА РОЗГОЛОШЕННЯ, ПРАВА ІНТЕЛЕКТУАЛЬНОЇ ВЛАСНОСТІ ТА ІНШІ ПРАВА ЩОДО КОНФІДЕНЦІЙНОСТІ. ВИ НЕ ПОВИННИ ВИКОРИСТОВУВАТИ ЦЕЙ ВИРІБ ДЛЯ БУДЬ-ЯКОГО ЗАБОРОНЕНОГО КІНЦЕВОГО ПРИЗНАЧЕННЯ, ВКЛЮЧАЮЧИ РОЗРОБКУ ВИРОБНИЦТВА ЗБРОЇ МАСОВОГО ЗНИЩЕННЯ, РОЗРОБКУ ВИРОБНИЦТВА ХІМІЧНОЇ АБО БІОЛОГІЧНОЇ ЗБРОЇ, БУДЬ-ЯКІ ДІЇ В КОНТЕКСТІ, ПОВ'ЯЗАНОМУ З ЯДЕРНОЮ ВИБУХОВОЮ РЕЧОВИНОЮ АБО НЕБЕЗПЕЧНИМ ЯДЕРНИМ ПАЛИВНИМ ЦИКЛОМ, АБО НА ПІДТРИМКУ ПОРУШЕНЬ ПРАВ ЛЮДИНИ.

У РАЗІ БУДЬ-ЯКИХ ПРОТИРІЧ МІЖ ЦИМ КЕРІВНИЦТВОМ ТА ЗАСТОСОВУВАНИМ ЗАКОНОМ, ОСТАННІЙ МАЄ ПЕРЕВАГУ.

## Нормативна інформація

**Ці положення застосовуються лише до продуктів, які мають відповідний знак або інформацію.**

### Заява про відповідність стандартам CE



Цей виріб і його аксесуари (якщо є в комплекті) мають маркування «CE», а отже відповідають чинним гармонізованим європейським стандартам, переліченим у Директиві щодо електромагнітної сумісності (EMC) 2014/30/EU, Директиві щодо низьковольтного електрообладнання (LVD) 2014/35/EU та Директиві щодо обмеження вмісту шкідливих речовин (RoHS) 2011/65/EU.



2012/19/ЄС (Директива з утилізації електричного й електронного обладнання, WEEE): Вироби, помічені цим символом, не можна утилізувати у Європейському Союзі як несортовані побутові відходи. Щоб забезпечити правильну переробку цього виробу, поверніть його місцевому постачальнику під час придбання аналогічного нового обладнання, або здайте його до спеціального призначеного пункту збирання відходів. Докладну інформацію дивіться на сайті [www.recyclethis.info](http://www.recyclethis.info)



2006/66/ЄС із поправками 2013/56/ЄС (Директива щодо акумуляторів): Цей виріб містить батарею, яку не можна утилізувати у Європейському Союзі як несортовані побутові відходи. Інформацію щодо батареї див. у документації до виробу.

Батарея помічена цим символом, який може включати букви, які вказують на наявність кадмію (Cd), свинцю (Pb) або ртуті (Hg). Щоб забезпечити правильну переробку батареї, поверніть її постачальнику або здайте до спеціалізованого пункту збирання відходів. Більше інформації див. на сайті: [www.recyclethis.info](http://www.recyclethis.info).

### Увага

Цей виріб класу А. У побутовому середовищі цей виріб може спричинити завади радіозв'язку, у разі чого користувач може бути вимушений жити відповідних заходів.

### Інструкції щодо безпеки



#### Увага!

#### Закони та норми

Пристрій слід використовувати з дотриманням місцевих законів, електротехнічних норм та правил протипожежної безпеки.

#### Електрична безпека

**ОБЕРЕЖНО!** Для зменшення ризику пожежі замінійте лише на запобіжник такого ж типу і з такими ж характеристиками.

Це обладнання має встановлюватися разом із джерелом неперервного живлення (ДНЖ) задля запобігання ризику

вимкнення і перезавантаження.

Обладнання слід підключати до електричної розетки із заземленням.

Зовні обладнання необхідно встановити легко доступний пристрій роз'єднання з відповідними характеристиками.

Зовні обладнання необхідно встановити пристрій захисту від надмірного струму, без перевизначення технічних характеристик будівлі.

Електромережа будівлі має бути обладнана вимикачем живлення з вимиканням усіх полюсів.

#### Батарея

Це обладнання не підходить для використання у місцях, де можуть перебувати діти.

**ОБЕРЕЖНО!** Встановлення батареї невідповідного типу може призвести до вибуху.

Встановлення батареї невідповідного типу може призвести до порушення системи захисту (зокрема, у разі використання літєвих батарей деяких типів).

Не кидайте батарею у вогонь або в гарячу піч, не розбивайте та не розрізуйте її. Це може призвести до вибуху.

Не залишайте батарею в місцях із дуже високою температурою. Це може призвести до вибуху або витoku вогнебезпечної рідини або газу.

Не залишайте батарею в місцях із дуже низьким атмосферним тиском. Це може призвести до вибуху або витoku вогнебезпечної рідини або газу.

Утилізуйте використані батареї згідно з інструкціями.



#### Обережно!

#### Електрична безпека

Виконайте правильно підключення дротів від клем пристрою до розетки живлення змінним струмом. Обладнання спроектане, а коли це необхідно, змінено для підключення до комп'ютерної системи розподілення живлення.

#### Запобігання пожежі

Забороняється розміщувати на обладнанні джерела відкритого вогню, як-от свічки, які горять.

Послідовний порт обладнання використовується лише для налагодження.

#### Гаряча поверхня

**ОБЕРЕЖНО!** Гарячі деталі! Будьте обережні, щоб не обпекти пальці об деталі.



Ця етикетка означає, що деталь може нагріватися, і тому її не слід торкатися, не вживши застережних заходів. Після вимкнення живлення зачекайте півгодини, перш ніж торкатися цих деталей.

Пристрій із цієї наклейкою призначений для встановлення в місцях з обмеженим доступом. Доступ можуть отримати лише працівники сервісної служби або користувачі, яким роз'яснено причини таких обмежень і необхідні заходи безпеки.

#### Установлення

Установлюйте обладнання відповідно до вказівок у цій інструкції.

Забезпечте достатньо місця для встановлення пристрою та додаткового приладдя.

Переконайтеся, що стіна достатньо міцна, щоб витримувати вагу, у 8 разів більшу за вагу камери та кріплення.

Перш ніж під'єднувати, встановлювати або розбирати пристрій, переконайтеся, що живлення від'єднано.

#### Транспортування

Під час транспортування зберігайте пристрій в оригінальному або подібному пакуванні.

Не допускайте падіння виробу або впливу на нього механічних ударів.

#### Живлення

Джерело живлення згідно зі стандартом IEC 60950-1 або IEC 62368-1 має відповідати вимогам щодо джерела обмеженої потужності або PS2.



Стандартне джерело живлення див. на етикетці пристрою. Переконайтеся, що джерело живлення відповідає вашому пристрою.

Використовуйте адаптер живлення сертифікованих виробників. Рекомендується забезпечити незалежний адаптер живлення для кожного пристрою, оскільки перевантаження адаптера може спричинити перегрівання або пожежу.

#### **Безпека системи**

Усвідомте, що ви несете відповідальність за налаштування всіх паролів та інших параметрів безпеки пристрою, а також за збереження свого імені користувача та пароля.

#### **Технічне обслуговування**

Якщо виріб не працює належним чином, зверніться до вашого дилера або найближчого сервісного центру. Ми не несемо жодної відповідальності за проблеми, які виникли внаслідок недозволеного ремонту чи догляду. Пристрій містить декілька компонентів (напр., електролітичний конденсатор), які необхідно регулярно замінювати. Середній термін служби різниться, тому рекомендується регулярно перевіряти ці компоненти. Для додаткової інформації звертайтеся до вашого дилера.

#### **Чищення**

Для чищення внутрішніх і зовнішніх поверхонь використовуйте м'яку суху тканину. Не використовуйте лужні миючі засоби.

#### **Умови експлуатації**

Під час використання будь-якого лазерного обладнання слідкуйте за тим, щоб лазерний промінь не потрапляв на об'єкти пристрою, адже це може призвести до його перегорання.

Не спрямовуйте об'єкти на сонце або інші джерела яскравого світла.

Щоб уникнути накопичення тепла, у належному робочому середовищі потрібна хороша вентиляція.

НЕ використовуйте пристрій у надзвичайно спекотному, холодному, запиленому, корозійному, сольово-лужному або вологому середовищі. Інформацію щодо температури та вологості див. у документації до пристрою.

НЕ піддавайте пристрій впливу сильного електромагнітного випромінювання.

#### **Джерело світла**

Переконайтеся, що поблизу об'єктива камери немає поверхонь, що відбивають світло. ІЧ світло з камери може віддзеркалюватися в об'єктиві і призводити до відсвічування.

Цей виріб може генерувати небезпечне оптичне випромінювання. НЕ ДИВІТЬСЯ на увімкнене джерело світла. Це може нашкодити очам.

Якщо немає відповідного екранування або захисту очей, то під час встановлення або обслуговування пристрою вмикайте світло, лише коли перебуваєте на безпечній відстані або в зоні, яка не піддається прямому впливу світла.

#### **Аварійні ситуації**

Якщо пристрій випускає дим, запах або видає шум, негайно вимкніть живлення, від'єднайте кабель живлення та зверніться в сервісний центр.

#### **Синхронізація часу**

Під час першого використання встановіть час пристрою вручну, якщо він не синхронізувався за мережею.

Перейдіть до пристрою за допомогою браузера/клієнтського програмного забезпечення та перейдіть до інтерфейсу налаштувань часу.



UD31965B