

# TV2810D-MPIR

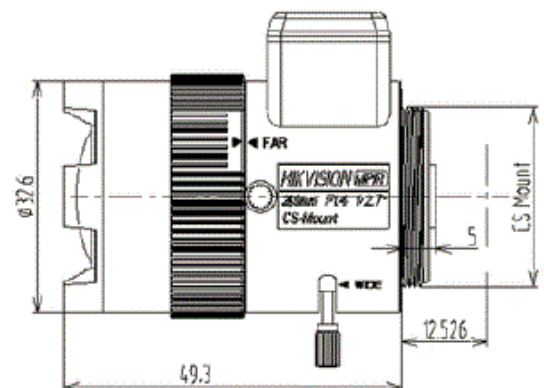
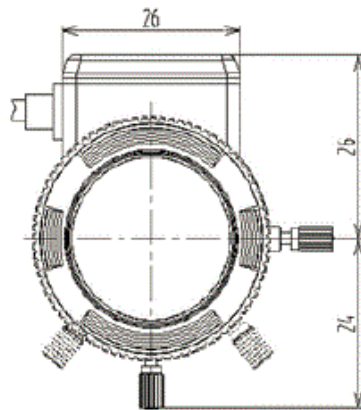
3MP IR ASPHERICAL Vari-focal Auto Iris  
DC Drive Lens



## New Lens Technology

- Ultra-sophisticated Molded Glass Aspheric Technology;
- Broadband AR Coating Technology;
- Confocal Infrared Technology;

<b>HAIKON</b> By Hikvision Digital Technology		<b>CCTV LENS SPEC</b>	
Model NO.	TV2810D-MPIR	Specification	Vari-focal Auto Iris DC Drive 3MP IR ASPHERICAL
Focallength	2.8-10mm	Mount	CS-Mount
F number	F1.4-C	Flange Back Length	12.5mm
Max. Image format	<b>Φ6.6mm (1/2.7")</b>	M. O. D	0.2m
Control	Iris	DC Driver	Dimension
	Focus	Manual	Weight
	Zoom	Manual	Operating Temperature
Field of View	D	1/2.7"	1/3"
	H		
	V		
		120° ~42.4°	109° ~39.7°
		96.7° ~34.2°	87.2° ~31.6°
		73° ~25.6°	65.4° ~23.7°



### Headquarters

No.555 Qianmo Road, Binjiang District,  
310051, Hangzhou, China.  
Tel : +86-571-8807-5998  
E-mail : overseabusiness@hikvision.com

Unit:mm