

## DS-2DF8C842IXG-EL-UHK 8 MP 42 × Network IR Speed Dome



Hikvision DS-2DF8C842IXG-EL-UHK 8 MP 42 × Network IR Speed Dome adopts 1/1.2" progressive scan CMOS chip. With the 42 × optical zoom lens, the camera offers more details over expansive areas. This series of cameras can be widely used for wide ranges of high-definition, such as the rivers, forests, roads, railways, airports, ports, squares, parks, scenic spots, stations and large venues, etc.

- 1/1.2" progressive scan CMOS
- High quality imaging with 8 MP resolution
- Excellent low-light performance with DarkFighter technology
- 42 × optical zoom and 16 × digital zoom provide close up views over expansive areas
- Expansive night view with up to 500 m IR distance
- Water and dust resistant (IP67) and vandal resistant (IK10) excluding glass window
- Supports face capture to detect, capture, grade, and select faces in motion
- Supports road traffic to detect vehicles
- Smart Pan-Tilt Correction

## ▪ Specification

| Camera                 |  |
|------------------------|--|
| Image Sensor           | 1/1.2" progressive scan CMOS   |
| Min. Illumination      | Color: 0.002 Lux @(F1.6, AGC ON), B/W: 0.0002 Lux @(F1.6, AGC ON), 0 Lux with IR   |
| Shutter Speed          | 1/1 s to 1/30,000 s  |
| Slow Shutter           | Yes  |
| Day & Night            | IR cut filter  |
| Zoom                   | 42 × optical, 16 × digital   |
| Max. Resolution        | 3840 × 2160  |
| Lens                   |  |
| Focus                  | Auto, semi-auto, manual, rapid focus   |
| Focal Length           | 7.5mm to 315mm, 42 × Optical   |
| Zoom Speed             | Approx. 7.5 s  |
| FOV                    | Horizontal field of view: 60.4° to 1.7° (wide-tele),<br>Vertical field of view: 36.2° to 0.9° (wide-tele),<br>Diagonal field of view: 67.8° to 2.2° (wide-tele)              |
| Aperture               | Max. F1.6  |
| Illuminator            |  |
| Supplement Light Type  | IR   |
| Supplement Light Range | up to 500 m  |
| Smart Supplement Light | Yes  |
| PTZ                    |  |
| Movement Range (Pan)   | 360°, Smart Pan-Tilt Correction, Endless 360-degree pan  |
| Movement Range (Tilt)  | -20° to 90° (auto flip), Smart Pan-Tilt Correction, 90-degree tilt   |
| Pan Speed              | Pan speed: configurable from 0.1° to 210°/s; preset speed: 280°/s  |
| Tilt Speed             | Tilt speed: configurable from 0.1° to 150°/s, preset speed 250°/s  |
| Proportional Pan       | Yes  |
| Presets and Tours      | Yes  |
| Patrol Scan            | 8 patrols, up to 32 presets for each patrol  |
| Pattern Scan           | 4 pattern scans, record time over 10 minutes for each scan   |
| Power-off Memory       | Yes  |
| Park Action            | Preset, pattern scan, patrol scan, auto scan, tilt scan, random scan, frame scan, panorama scan  |
| 3D Positioning         | 3D zoom option (drawing a rectangle in the camera FOV to zoom in/out) Home position  |
| PTZ Status Display     | Yes  |
| Preset Freezing        | Yes  |
| Scheduled Task         | Preset, pattern scan, patrol scan, auto scan, tilt scan, random scan, frame scan, panorama scan, dome reboot, dome adjust, aux output  |
| Video                  |  |
| Main Stream            | 50 Hz: 25 fps (3840 × 2160, 2560 × 1440, 1920 × 1080, 1280 × 960, 1280 × 720);<br>60 Hz: 24 fps (3840 × 2160, 2560 × 1440, 1920 × 1080, 1280 × 960, 1280 × 720)              |
| Sub-Stream             | 50 Hz: 25 fps (704 × 576, 640 × 480, 352 × 288)<br>60 Hz: 24 fps (704 × 480, 640 × 480, 352 × 240)   |
| Third Stream           | 50 Hz: 25 fps (1920 × 1080, 1280 × 960, 1280 × 720, 704 × 576, 640 × 480, 352 × 288)<br>60 Hz: 24 fps (1920 × 1080, 1280 × 960, 1280 × 720, 704 × 480, 640 × 480, 352 × 240) |

|                             |  |
|-----------------------------|--|
| Video Compression           | Main stream: H.265+/H.265/H.264+/H.264<br>Sub-stream: H.265/H.264/MJPEG<br>Third stream: H.265/H.264/MJPEG   |
| Video Bit Rate              | 32 Kbps to 16384 Kbps  |
| H.264 Type                  | Baseline Profile/Main Profile/High Profile   |
| H.265 Type                  | Main Profile   |
| Video analytics             | Basic level video analytics  |
| Scalable Video Coding (SVC) | H.264 and H.265 encoding   |
| Region of Interest (ROI)    | 8 fixed regions for each stream  |
| <b>Audio</b>                |  |
| Audio Compression           | G.711alaw, G.711ulaw, G.722.1, G.726, MP2L2, PCM, AAC_LC   |
| Audio Bit Rate              | 64 Kbps (G.711)/16 Kbps (G.722.1)/16 Kbps (G.726)/32 to 192 Kbps (MP2L2)16 Kbps to 64 Kbps(AAC_LC)   |
| <b>Network</b>              |  |
| Network Storage             | NAS (NFS, SMB/ CIFS), ANR  |
| Protocols                   | IPv4/IPv6, HTTP, HTTPS, 802.1x, QoS, FTP, SMTP, UPnP, SNMP, DNS, DDNS, NTP, RTSP, RTCP, RTP, TCP/IP, UDP, IGMP, ICMP, DHCP, PPPoE, Bonjour, WebSocket, WebSockets  |
| API                         | ISUP, ISAPI, Hikvision SDK, Open Network Video Interface, ONVIF compliant (Profile S, G, T), OTAP  |
| Simultaneous Live View      | Up to 20 channels  |
| User/Host                   | Up to 32 users 3 user levels: administrator, operator, and user  |
| Security                    | Password protection, complicated password, HTTPS encryption, 802.1X authentication (EAP-TLS, EAP-LEAP, EAP-MD5), watermark, IP address filter, basic and digest authentication for HTTP/HTTPS, RTP/RTSP over HTTPS, control timeout settings, security audit log, TLS 1.3, host authentication (MAC address) |
| Client                      | HikCentral, iVMS-4200, Hik-Connect   |
| Web Browser                 | IE11, Chrome 57.0+, Firefox 52.0+, Safari 11+  |
| <b>Image</b>                |  |
| Day/Night Switch            | Day, night, auto, scheduled-switch   |
| Image Enhancement           | BLC, HLC, 3D DNR   |
| Wide Dynamic Range (WDR)    | 140 dB   |
| Defog                       | Optical defog  |
| Image Stabilization         | EIS (Built-in gyroscope to improve EIS performance)  |
| Regional Exposure           | Yes  |
| Regional Focus              | Yes  |
| Image Settings              | Saturation, brightness, contrast, sharpness, gain, and white balance adjustable by client software or web browser  |
| Image Parameters Switch     | Yes  |
| Privacy Mask                | Up to 24 masks, mosaic mask, mask color configurable, rectangle region   |
| SNR                         | ≥ 52 dB  |
| <b>Interface</b>            |  |
| Video Output                | 1.0 V[p-p]/75 Ω, PAL, NTSC, BNC connector  |
| Ethernet Interface          | 1 RJ45 10M/100M self-adaptive Ethernet port  |
| On-board Storage            | Built-in memory card slot, support microSD/microSDHC/microSDXC cards, up to 256 GB   |
| Alarm                       | 7 inputs, 2 outputs  |

|   |   |
|---|---|
| Audio                                     | 1 input (line in), max. input amplitude: 2-2.4 vpp, input impedance: 1 K $\Omega$ $\pm$ 10%; 1 output (line out), line level, output impedance: 600 $\Omega$  |
| RS-485                                    | Half duplex, HIKVISION, Pelco-P, Pelco-D, self-adaptive   |
| <b>Event</b>                              |   |
| Basic Event                               | motion detection, video tampering alarm, alarm input, alarm output, exception   |
| Smart Event                               | Line crossing detection, region entrance detection, unattended baggage detection, object removal detection, intrusion detection, region exiting detection, vandal-proof alarm, audio exception detection  |
| Smart Tracking                            | Manual tracking, auto-tracking  |
| Alarm Linkage                             | Preset, patrol scan, pattern scan, memory card video recording, alarm output, sending email, notify surveillance center, upload to FTP, NAS video recording, audible warning  |
| <b>Deep Learning Function</b>             |   |
| Face Capture                              | Support detecting up to 30 faces at the same time. Support detecting, tracking, capturing, grading, selecting of face in motion, and output the best face picture of the face   |
| Face Function                             | Face Capture or Face Detection supported  |
| Perimeter Protection                      | Line crossing, intrusion, region entrance, region exiting<br>Support alarm triggering by specified target types (human and vehicle)   |
| <b>Road Traffic and Vehicle Detection</b> |   |
| Road Traffic                              | Support vehicle detection (license plate number, vehicle model, and vehicle color recognition)  |
| <b>General</b>                            |   |
| Operating Condition                       | Temperature: -40°C to 70°C (-40°F to 158°F), Humidity: $\leq$ 95%   |
| Language                                  | 33 languages: English, Russian, Estonian, Bulgarian, Hungarian, Greek, German, Italian, Czech, Slovak, French, Polish, Dutch, Portuguese, Spanish, Romanian, Danish, Swedish, Norwegian, Finnish, Croatian, Slovenian, Serbian, Turkish, Korean, Traditional Chinese, Thai, Vietnamese, Japanese, Latvian, Lithuanian, Portuguese (Brazil), Ukrainian |
| Power Consumption and Current             | 24 VAC (Max. 62 W, including max. 12 W for IR and max. 8 W for heater), PoE 802.3 bt (Max. 51 W, including max. 12 W for IR and max. 8 W for heater)  |
| Dimension                                 | $\varnothing$ 267 mm $\times$ 430 mm ( $\varnothing$ 10.51" $\times$ 16.93")  |
| Weight                                    | Approx. 9.6 kg (21.16 lb.)  |
| <b>Approval</b>                           |   |
| EMC                                       | FCC SDoC (47 CFR Part 15, Subpart B);<br>CE-EMC (EN 55032: 2015, EN 61000-3-2: 2019, EN 61000-3-3: 2013, EN 50130-4: 2011 +A1: 2014);<br>RCM (AS/NZS CISPR 32: 2015);<br>IC VoC (ICES-003: Issue 6, 2019);<br>KC (KN 32: 2015, KN 35: 2015)   |
| Safety                                    | UL (UL 62368-1)<br>CB (IEC 60950-1:2005 + Am 1:2009 + Am 2:2013, IEC 62368-1:2014);<br>CE-LVD (EN 62368-1:2014+A11:2017),<br>BIS (IS 13252(Part 1):2010+A1:2013+A2:2015);<br>LOA (SANS IEC60950-1)  |
| Environment                               | CE-RoHS (2011/65/EU); WEEE (2012/19/EU);<br>Reach (Regulation (EC) No 1907/2006)  |

|            |   |
|------------|---|
| Protection | IP67 (IEC 60529-2013), IK10 (IEC 62262:2002), 6000V Lightning Protection, Surge Protection and Voltage Transient Protection |
|------------|---|

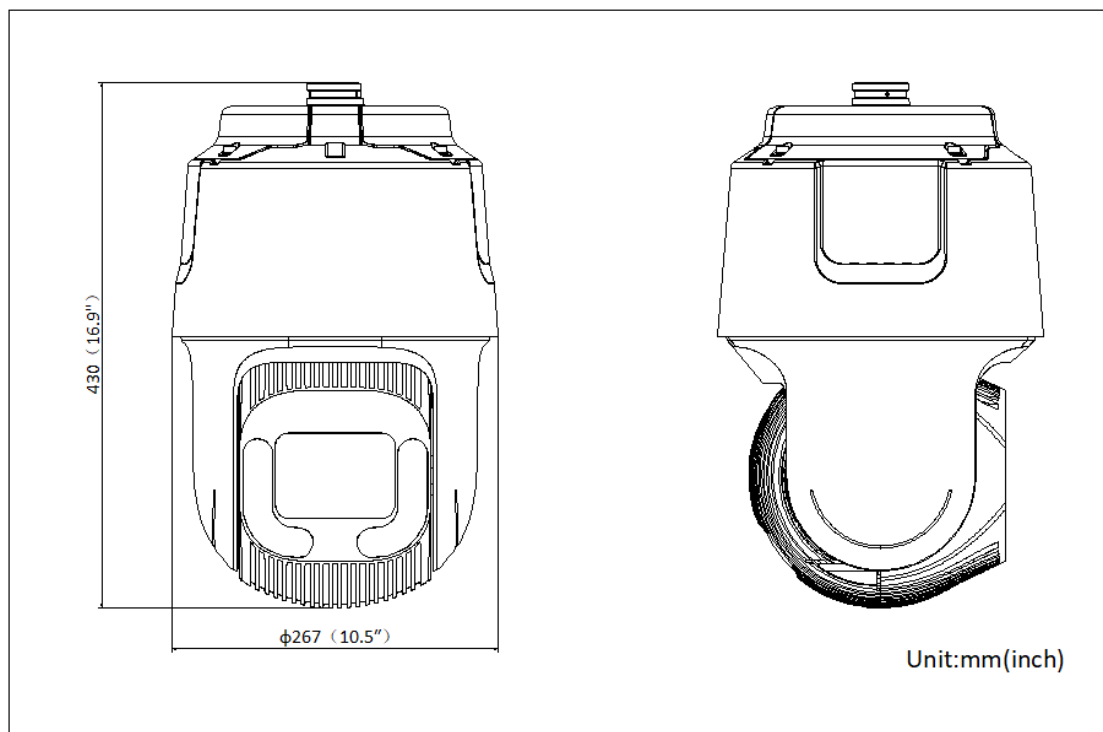
▪ **DORI**

The DORI (detect, observe, recognize, identify) distance gives the general idea of the camera ability to distinguish persons or objects within its field of view.

It is calculated based on the camera sensor specification and the criteria given by EN 62676-4: 2015.

| DORI            | Detect               | Observe             | Recognize           | Identify           |
|-----------------|----------------------|---------------------|---------------------|--------------------|
| Definition      | 25 px/m              | 63 px/m             | 125 px/m            | 250 px/m           |
| Distance (Tele) | 6300 m (20669.3 ft.) | 2500 m (8202.1 ft.) | 1260 m (4133.9 ft.) | 630 m (2066.9 ft.) |

▪ **Dimension**



▪ **Accessory**

▪ **Optional**

|                      |                            |                    |
|----------------------|----------------------------|--------------------|
| <b>DS-1661ZJ-P</b>   | <b>DS-1603ZJ-Pole-P</b>    | <b>DS-1603ZJ-P</b> |
| <b>Pendant Mount</b> | <b>Vertical Pole Mount</b> | <b>Wall Mount</b>  |



**Headquarters**

No.555 Qianmo Road, Binjiang District,  
Hangzhou 310051, China  
T +86-571-8807-5998  
www.hikvision.com



Follow us on social media to get the latest product and solution information.



Hikvision



HikvisionHQ



HikvisionHQ



Hikvision\_Global

Hikvision  
Corporate Channel



hikvisionhq