

iDS-TCV500-BI-CO-SS High Performance ANPR Capture Unit



DeepinView

- High quality imaging with 5 MP resolution(2/3" GMOS)
- Excellent low-light performance, Color: 0.001 Lux@(F1.4, AGC ON), 0.0005 Lux with IR
- Efficient H.265 compression technology
- 3D DNR technology delivers clean and sharp images
- Support license plate recognition (LPR)
- Vehicle feature recognition: vehicle type / color / manufacturer / license plate color recognition, no-plate vehicle capture
- Violation behaviors detection: driving on lane line, lane change, wrong-way driving detection, seatbelt and phone call detection.
- Application Scenarios: highway, tunnel, toll station, urban road, etc.

Superiority

- Dedicated camera for ANPR
 - HD resolution
 - Professional shutter speed control
- Built-in ANPR engine, equipped with deep learning algorithm
- Capable of recognizing multiple features and detecting multiple violations
 - Vehicle type recognition
 - Vehicle color recognition
 - Vehicle manufacturer recognition
 - Radar speed detection
 - Driving on lane line detection
 - Illegal lane change detection
 - Wrong-way driving detection
 - Seatbelt detection
 - Phone call detection



Application

- Vehicle control
- Traffic monitoring
- Toll collection
- Security

Scenarios

- Highway
- Tunnel
- Toll station
- Urban road

▪ Specification

Camera	
Image Sensor	5 MP (2/3" GMOS)
Max. Resolution	2464 × 2056
Min. Illumination	Color: 0.001 Lux@(F1.4, AGC ON), 0.0005 Lux with IR
Shutter Time	50 us-20000 us
Day & Night	IR cut filter
Lens	
Lens Type	Varifocal lens from 15 to 50 mm with manual adjustment or Motorized adjustment
Focal Length & FOV	15 to 50 mm, horizontal FOV 32.0° to 10.4°, vertical FOV 26.6° to 8.6°, diagonal FOV 42.4° to 13.6°
Focus	Manual or auto
Aperture	F1.4-C
Illuminator	
Built-in Supplement Light Range	Up to 30 m
IR Wavelength	850 nm
External Supplement Light	Strobe light,Flash light
Video	
Main Stream	50 Hz: 50 fps (2464 × 2056, 2448 × 2048, 2048 × 1536, 1920 × 1080, 704 × 576) 60 Hz: 30 fps (2464 × 2056, 2448 × 2048, 2048 × 1536, 1920 × 1080, 704 × 576)
Sub-Stream	50 Hz: 50 fps (2448 × 2048, 2048 × 1536, 1920 × 1080, 704 × 576) 60 Hz: 30 fps (2448 × 2048, 2048 × 1536, 1920 × 1080, 704 × 576)
Third Stream	50 Hz: 50 fps (2048 × 1536, 1920 × 1080, 704 × 576) 60 Hz: 30 fps (2048 × 1536, 1920 × 1080, 704 × 576)
Video Compression	Main stream: H.265/H.264/MJPEG,Sub-stream: H.265/H.264/MJPEG,Third stream: H.265/H.264/MJPEG
Video Bit Rate	32 Kbps to 16 Mbps
H.264 Type	Baseline profile/Main profile/High profile
H.265 Type	Main profile
Network	
Protocols	TCP/IP, ICMP, HTTP, HTTPS, FTP, DNS, DDNS, RTP, RTSP, RTCP, NTP, SNMP, IGMP, 802.1X, IPv4/IPv6, UDP, ISUP, ARP, UPnP, SMTP, DHCP
Simultaneous Live View	Up to 6 channels
API	ONVIF (PROFILE S, PROFILE G, PROFILE T),ISAPI,SDK,ISUP
User/Host	Up to 32 users 3 user levels: administrator, operator and user
Security	Password protection, Complicated password, Control timeout settings,802.1X authentication (EAP-PEAP, EAP-LEAP, EAP-MD5),Basic and digest authentication for HTTP/HTTPS,WSSE and digest authentication for Open Network Video Interface Encryption: HTTPS encryption, support TLS/SSL and AES 128 bits on transmission and data storage
Network Storage	Micro SD/TF card (512 GB),Local storage,CVR,NVR,ANR
Client	iVMS-4200 (Only for live view and LPR information search),Hik-Central Master,Hik-Central Pro,HikCentral Master Lite
Web Browser	Chrome V61+, IE9 to IE11, Firefox V41+, Edge

Image	
Image Settings	Rotate mode, saturation, brightness, contrast, sharpness, AGC, and white balance are adjustable by client software or web browser.
Day/Night Switch	Auto/Scheduled/Triggered by alarm in
SNR	60 dB
Image Enhancement	BLC, HLC, 3D DNR
Picture Overlay	LOGO picture can be overlaid on video with 128 × 128 24-bit bmp format.
Interface	
Ethernet Interface	2 RJ45 10 M/100 M/1000 M self-adaptive Ethernet interfaces
On-Board Storage	Built-in memory card slot, support microSD/SDHC/SDXC card, up to 512 GB
Alarm	2 input interfaces (T1, SYNC), 7 output interfaces
RS-485	3 RS-485 interfaces (half duplex, HIKVISION)
RS-232	1 RS-232 interface
USB	1 USB 2.0 interface
Event	
Basic Event	HDD Error, network disconnected, IP address conflicted, vehicle detector exception, traffic light detector exception
Road Traffic and Vehicle Detection	
Coverage	Up to 2 lanes
Trigger Mode	External I/O trigger/Radar trigger/Video trigger
Smart Function	License plate recognition Vehicle type classification, color identification, no-plate vehicle capture, moving direction detection
LPR Countries/Regions	<p>Middle East: The United Arab Emirates (Abu Dhabi, Ajman, Dubai, Fujairah, Ras Al Khaimah, Sharjah and Umm Al Quwain), Qatar, Iraq, Egypt, Jordan, Kuwait, Saudi Arabia, Pakistan, Oman, Lebanon, Bahrain,</p> <p>Africa: Nigeria, Kenya, Ivory Coast, South Africa, Tanzania, Mauritius, Morocco, Tunisia, Sierra Leone, Zambia, Ghana, Zimbabwe, Uganda, Angola, Ethiopia, Senegal, Algeria,</p> <p>Asia-Pacific: Australia, New Zealand, Indonesia, Malaysia, Singapore, South Korea, Thailand, Vietnam, the Philippines, Hong Kong, Macao, Taiwan, Myanmar, India, Mongolia, Cambodia, Laos, Bangladesh, Nepal, Sri Lanka,</p> <p>America: Canada, Argentina, Chile, Paraguay, Uruguay, El Salvador, Bolivia, Colombia, Brazil, Ecuador, Peru, Mexico, Panama, Costa Rica, Trinidad and Tobago, the Dominican Republic, Guatemala,</p> <p>Europe: Turkey, Croatia, Slovakia, Czech Republic, Bulgaria, the Republic of North Macedonia, Hungary, Greece, Poland, France, Netherlands, Switzerland, Spain, the UK, Ireland, Germany, Italy, Austria, Israel, Palestinian, Belgium, Luxembourg, Albania, Kosovo, Serbia, Romania, Montenegro, Denmark, Finland, Sweden, Slovenia, Portugal, Malta, Cyprus, Iceland, Liechtenstein, Bosnia and Herzegovina,</p> <p>Russian-Speaking Regions: Azerbaijan, Belarus, Kazakhstan, Lithuania, Georgia, Estonia, Latvia, Russia, Ukraine, Moldova, Uzbekistan, Kyrgyzstan, Armenia, Turkmenistan, Tajikistan</p>

Accuracy (Under recommended installation and lighting conditions)	Capture rate > 98% Vehicle moving direction recognition accuracy > 98.5% LPR accuracy > 98% Mistaken capture rate < 2%
No License Plate Detection	Supported
Motorcycle LPR	Supported
Vehicle Type	Car/Van/Bus/Truck/Light Truck/SUV_MPV/Pickup/Pedestrian/Motorcycle/Tricycle
Vehicle Color	Red, yellow, green, blue, pink, purple, cyan, brown, white, grey, black Recognizable at daytime only.
Vehicle Manufacturer	84 manufacturers: Hyundai, Toyota, KIA, Honda, Volkswagen, Benz, Nissan, Ford, Isuzu, BMW, Chevrolet, Mitsubishi, Renault, Opel, Suzuki, Skoda, Daewoo, Audi, Mazda, GAC HINO, Peugeot, SsangYong, Citroen, Fiat, Scania, MAN, Volvo, Lexus, Seat, Land Rover, Daihatsu, Dongwo, Subaru, Iveco, MINI, JEEP, Porsche, Chery, Dodge, Chrysler, Acura, Alfa Romeo, Great Wall, Infiniti, Smart, Saic Maxus, JAC, Jaguar, GMC, Lincoln, JMC, SAAB, FAW, Yutong, Guangzhou Yunbao, Joylong, Geely, Cadillac, JBC, An'kai, Haima, Foton, King Long, Dongfeng, Geely-Emgrand, Perodua, UD, BYD, Renault Samsung, Proton, HICOM, Malaysia_Unknown 1, Hyundai-Rohens, SsangYong-Old Version, Equus-Old Version, CNHTC, Rolls-Royce, Beiben Truck, Haval, Hino, Kia-Borrego, Chang'an, Alfa, FORO
License Plate Color Recognition	Customized to support
Driving on Lane Line Detection	Yes (only strobe light mode)
Lane Change Detection	Yes (only strobe light mode)
Wrong-Way Driving Detection	Supported
Emergency Lane Occupation	Supported (truck forbidden lane, emergency lane, urban bus lane)
Seatbelt Detection	Supported (with flash supplement light)
Phone Call Detection	Supported (with flash supplement light)
Capture Speed Range	0 to 320 km/h
General	
Operating System	Linux
Power	AC 100 V to 240 V, 1.5 A, max. 35 W, three-core terminal block (24V)Model: DC24V±20%, 2.5A, max.35 W, three-core terminal block
Material	Aluminum alloy
Dimension	175.7 mm × 141.1 mm × 500.5 mm (6.92" × 5.56" × 19.7")
Package Dimension	357 mm × 224 mm × 667 mm (14.06" × 8.82" × 26.26")
Weight	Approx. 5.13x kg (11.30x lb.)
With Package Weight	Approx. 7.4x kg (16.31x lb.)
Operating Condition	-30 °C to 70 °C (-22 °F to 158°F). Humidity: 5% to 95% (non-condensing)
Storage Condition	-30 °C to +60 °C (-22 °F to +140 °F). Humidity 95% or less (Non-condensing)
General Function	One-key reset, three streams, heartbeat, password protection, watermark
Heater	Supported
Language	7 languages: English, Russian, Croatian, Korean, Russian, Traditional Chinese, Ukrainian, Thai
Approval	
EMC	CE-EMC: EN 55032: 2015/A11:2020+A1:2020, EN IEC61000-3-2: 2019/A1:2021, EN 61000-3-3: 2013+A1:2019/A2:2021, EN 50130-4: 2011 +A1: 2014, UL

Safety	CE-LVD: EN 62368-1: 2014/A11: 2017,CB: IEC 62368-1: 2014+A11,CB: IEC 62368-1: 2018+A11
Environment	CE-RoHS: 2011/65/EU,WEEE: 2012/19/EU,Reach: Regulation (EC) No 1907/2006
Protection	IK10: IEC 62262:2002,IP66: IEC 60529-2013

▪ Typical Application

Hikvision products are classified into three levels according to their anti-corrosion performance. Refer to the following description to choose for your using environment.

This model has NO SPECIFIC PROTECTION.

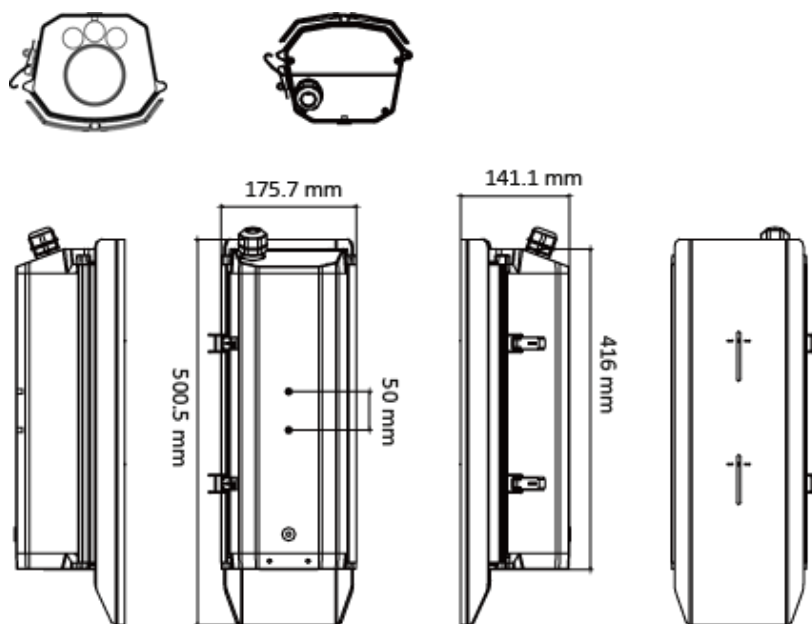
Level	Description
Top-level protection	Hikvision products at this level are equipped for use in areas where professional anti-corrosion protection is a must. Typical application scenarios include coastlines, docks, chemical plants, and more.
Moderate protection	Hikvision products at this level are equipped for use in areas with moderate anti-corrosion demands. Typical application scenarios include coastal areas about 2 kilometers (1.24 miles) away from coastlines, as well as areas affected by acid rain.
No specific protection	Hikvision products at this level are equipped for use in areas where no specific anti-corrosion protection is needed.

▪ Available Model

iDS-TCV500-BI(F)/1550/H1(24V)

iDS-TCV500-BI(F)/1550/H1

• **Dimension**



• **Accessory**

DS-1275ZJ/HWB DS-1701ZJ/HWB Vertical Pole Mount	DS-1701ZJ/HWB Wall Mount	DS-1278ZJ/HWB Horizontal Pole Mount
		

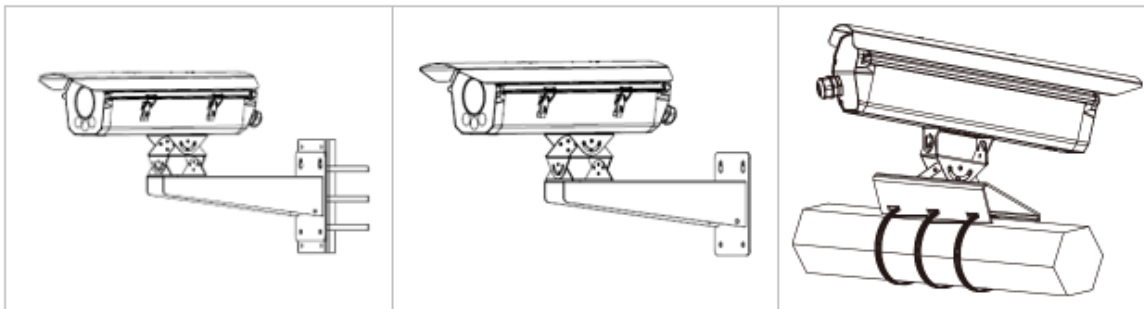
Headquarters

No.555 Qianmo Road, Binjiang District,
 Hangzhou 310051, China
 T +86-571-8807-5998
 www.hikvision.com



Follow us on social media to get the latest product and solution information.





Headquarters

No.555 Qianmo Road, Binjiang District,
Hangzhou 310051, China
T +86-571-8807-5998
www.hikvision.com



Follow us on social media to get the latest product and solution information.

