

AE-MN5043(RJ45) Mobile Video Recorder



AE-MN5043 series NVR is a professional solution to vehicle video and audio management with built-in Linux operating system. It supports CVBS video and audio output, featuring HD encoding/decoding, transmission based on 4G wireless network, satellite positioning, secure data storage, HDD vibration absorber, alarm input/output, driving information collecting and ports added for peripheral devices. It provides camera selection and coding solutions specialized in video and audio recording management for public transports, school buses, taxis, learner-driven vehicles, trucks, etc.

- 4-ch IP cameras connectable via PoE interfaces, and 4-ch IP cameras extendable via PoE switch.
- Up to 4MP resolution of H.264/H.265 compression for each IP camera.
- Pluggable dummy HDD for HDD with up to 2 TB capacity.
- User-friendly GUI providing easy and flexible operations.
- Pluggable 4G module and Wi-Fi module providing flexible data transmission solutions.
- Built-in GPS module precisely positioning the vehicle via the satellite and recording the location information in the video stream.
- Information collection interfaces collecting driving information such as left/right turn, braking, reversing, etc.
- Specialized aviation connectors ensuring signal stability.
- Shutdown delay (0 h to 6 h) and 24-hour scheduled startup/shutdown.
- Build-in super-capacitor prevents the mobile NVR from damage caused by sudden power outage.
- Wide-range power input (+9 VDC to +36 VDC).
- Power-off protection prevents key data loss.
- Aluminum die-cast chassis with no fan design well adaptable to working environment.
- Software-based firewall supported.
- Support accessing via WEB browser.
- Support recording backup on redundant HDD/SSDs.

▪ Specification

Video/Audio Input	
IP Camera	4-ch connected via PoE interfaces and 4-ch extendable via PoE switch.
Two-way Audio	1, integrated in EXT.DEV interface
Storage	
HDD/SSD	2 × 2.5 inch HDD/SSD, up to 2 TB for each HDD/SSD HDD/SSD data can be exported locally via this converter (optional) (A dummy HDD with 2 HDD/SSDs can be extended; Not for baseline. Note the SD card capacity when ordering)
SD Card	1 × SD card, up to 256 GB (not for baseline. Note the SD card capacity when ordering)
Positioning	
GNSS (Global Navigation Satellite System)	GPS (Global Positioning System) & GLONASS (Global Navigation Satellite System), 1 ×FAKRA antenna
General	
Operating Method	Mouse, IR remote control, Web control, and touchscreen
Power Supply	+9 to +36 VDC
Consumption	Standby: ≤ 0.5 W Full load: ≤ 75 W Note: Without peripheral and storage media ≤ 20 W
Working Temperature	-10 °C to +60 °C (+14 °F to +140°F)
Working Humidity	10% to 95%
Dimensions (W × D × H)	206 × 225.4 × 60.1 mm (8.1 × 8.87 × 2.37 inch)
Weight (Without Storage Media)	1.66kg (3.67 lb)
Certification	CE/FCC/Emark/EN50155/CB/EN45545/ROHS 2.0/ISO-7637-2
G-Sensor	
G-Sensor	Built-in
Video/audio output	
Video Output	Main output: 1, integrated in EXT.DEV interface. VGA: 1
Audio Output	1, integrated in EXT.DEV interface
Encoding/decoding parameters	
Video Compression	H.264/H.265
Encoding Resolution	Main stream: 4 MP(2560x1440)/1080P/720P/WD1/4CIF Sub-stream: 720P/WD1/4CIF/2CIF/CIF
Frame Rate	PAL: 1 to 25 fps; NTSC: 1 to 30 fps
Audio Compression	G.711a/G.711u/G.722.1/G.726
Stream Type	Video, video & audio
Audio Bitrate	16 Kbps
Dual Stream	Supported
Wireless network	
3G/4G Dialing	1 × 4G card slot, 1 ×FAKRA antenna
Wi-Fi	WI58 model: 2 × 5.8 G Wi-Fi SMA antenna (Optional. 802.11B/G/N and 802.11AC are selectable. 1 antenna is needed for 802.11B/G/N module. 2 antennas are needed for 802.11AC module.)

External interface	
Network Interface	Front panel :1 ×10M/100M RJ45 Rear panel: 1 × 10M/100M M12 6-pin aviation connector Note: The front and rear network ports are at different network segments and the 6-pin aviation network cable female head to RJ45 is optional.
Serial Port	1 × RS-232(harness is optional), 1 × RS-422 (integrated in EXT.DEV interface)
USB Interface	Front panel: 1 × USB 2.0 Rear panel: 1 × USB 2.0 (5-pin aviation connector)
Sensor-in	4 high/low level signal inputs
Alarm Input	4 high/low level signal inputs, 1 pulse signal input, 1 BUTTON input
Alarm Output	2 relay signal outputs

▪ Typical Application

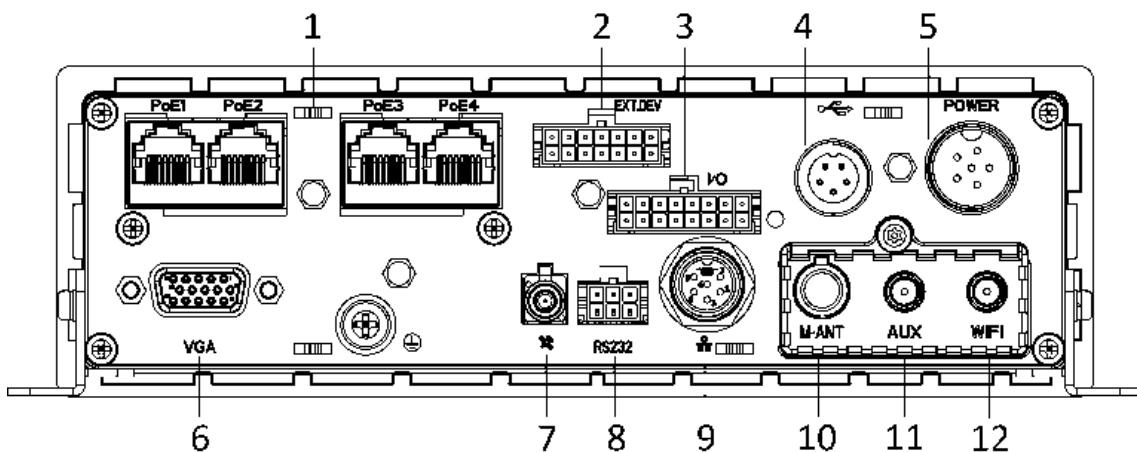
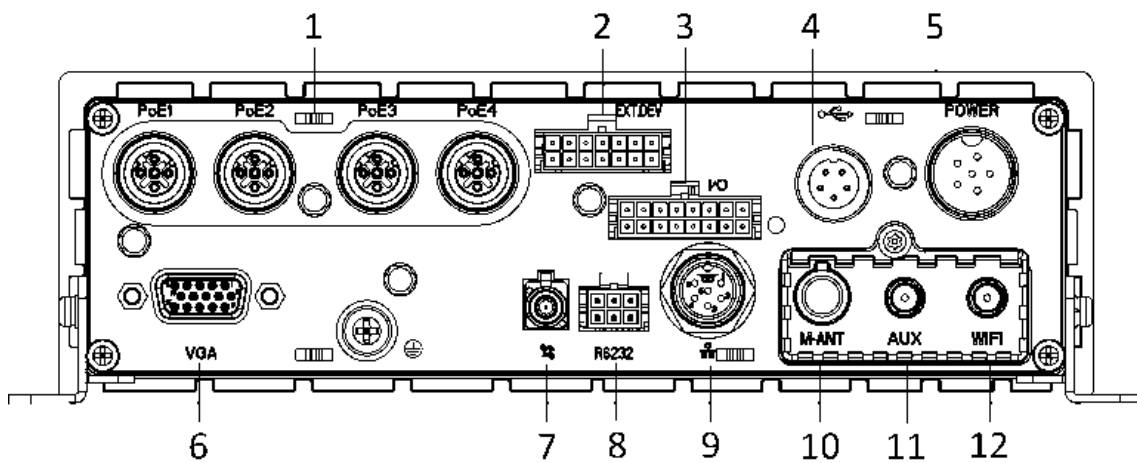
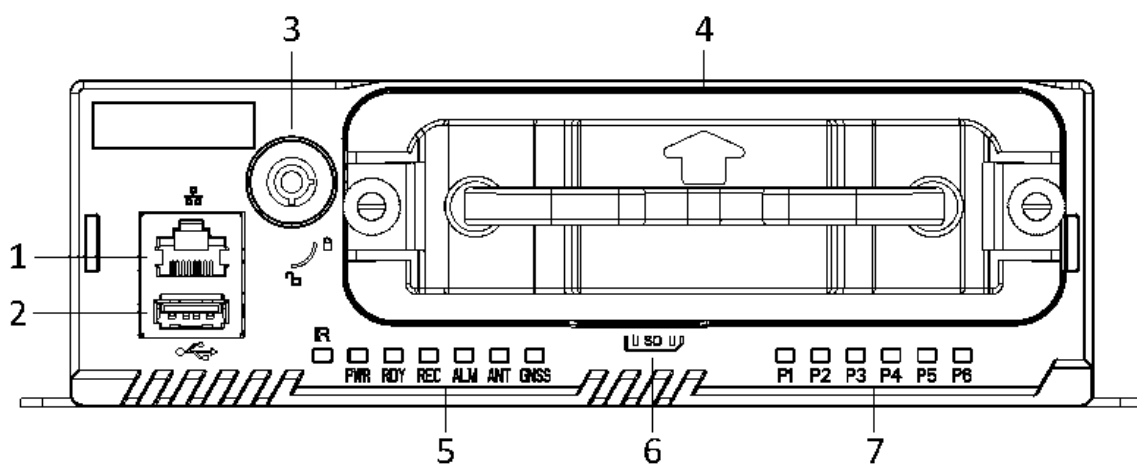
Anti-corrosion Performance	Application
Professional	Coastal areas, wharfs, ports, ships and chemical factories, etc.
High	Areas exposed to acid rain; areas over 1.24 miles (1 km) away from the coastline
Standard	Regular environment with little corrosion exposure

▪ Physical Interface

Front Panel and Rear Panel

No.	Name	No.	Name
1	10M/100M RJ45 Ethernet interface	5	PWR: Power indicator RDY: Ready indicator REC: Record indicator ALM: Alarm indicator ANT: Dialing indicator GNSS: Positioning indicator
2	USB 2.0 interface	6	SD card slot
3	Dummy HDD/SSD lock	7	P1 to P4: Video input connector indicator P5: Video input of 6-pin aviation connector indicator P6: Front panel network interface status indicator
4	Dummy HDD/SSD		GNSS indicator
No.	Name	No.	Name
1	Network camera inputs	7	Satellite positioning antenna interface

2	RS-422 communication interface, two-way audio interface, and CVBS video output	8	RS-232 (for debugging)
3	Alarm in, alarm out, and sensor-in	9	10M/100M M12 6-pin aviation network connector
4	USB 2.0 or 5-pin aviation connector	10	4G dialing antenna interface
5	Power supply	11	Auxiliary Wi-Fi antenna interface
6	VGA video output interface	12	Wi-Fi antenna interface

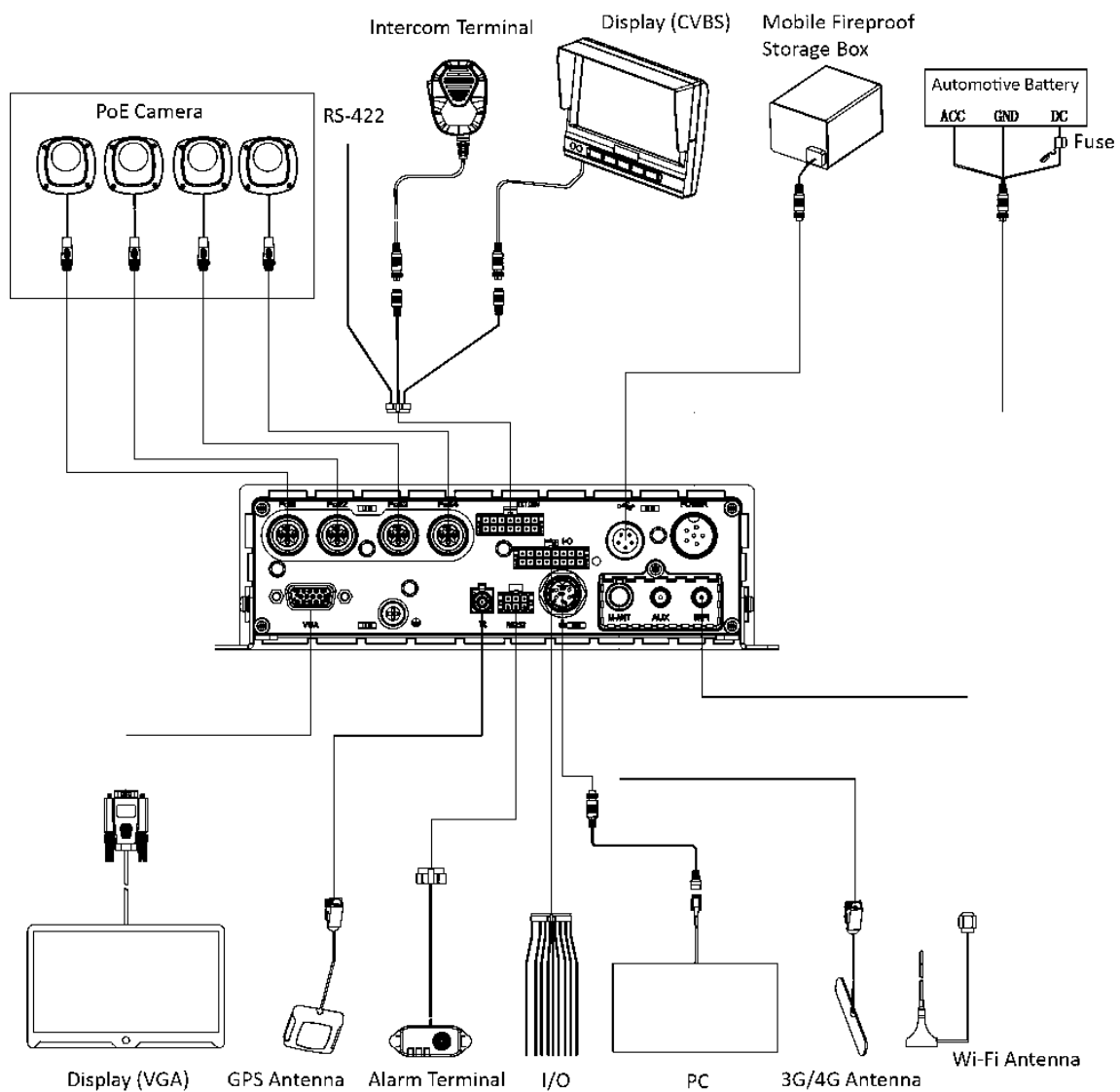


▪ **Installation Recommendation**

Packing List

Description	Quantity
Fuse	2
Power cord	1
Key	1
Alarm line	1
Extension cable	1
GPS antenna	1

▪ **Wiring**



▪ **Available Model**

AE-MN5043(RJ45)

AE-MN5043(1T)(RJ45)

Headquarters

No.555 Qianmo Road, Binjiang District,
Hangzhou 310051, China
T +86-571-8807-5998
www.hikvision.com



Follow us on social media to get the latest product and solution information.

