

DS-2DF1-718-C

Network IR Speed Dome



Key features

IR function:

- 0 Lux minimum illumination
- Wide Dynamic Range
- ONVIF / OPEN SDK
- Up to 80m IR distance
- IR light MTBF reaching up to 30,000 hours

System function:

- 1/4" SONY high performance CCD
- $\pm 0.1^\circ$ Preset Accuracy
- ONVIF(Open Network Video Interface Forum)、CGI(Common Gateway Interface)、PSIA(Physical Security Interoperability Alliance), to ensure greater interoperability between different platforms and compatibility
- 3D intelligent positioning function
- Power-off memory function: restore PTZ & Lens status after reboot
- 3D DNR
- Built-in temperature sensor, with display of internal temperature

Camera function:

- Auto iris, auto focus, auto white balance, backlight compensation and auto/manual day & night switch, and WDR function optional
- Privacy masks programmable

PTZ function:

- 360° endless pan range and -10° - 90° tilt range
- 240°/s Pan Preset Speed and 200°/s Tilt Preset Speed
- 0.1°-160°/s Manual Pan Speed and 0.1°-120°/s Manual Tilt Speed
- 256 presets programmable; preset image freezing capability
- 8 patrols, up to 32 presets per patrol
- 4 patterns, with the recording time not less than 10 minutes per pattern
- Proportional zoom function
- Park action: auto call up of PTZ movement, after a defined time of inactivity
- 2 alarm inputs and 2 alarm outputs (7 alarm inputs and 2 alarm outputs optional)

Network function:

- H.264/MJPEG video compression and the latest Davinci processing chip and platform

- Built-in Web server
- SD/SDHC card local storage
- Dual stream
- Multiple network protocols supported: IPv4,HTTP,FTP,SMTP,SNMP,DNS,NTP,RTSP,RTP,TCP,UDP,IGMP,ICMP,DHCP,PPPoE(HTTPS optional)
- 1 audio input and 1 audio output

Application Scenarios

It can be widely applied to places with no lights or weak lights requiring wide-area and high-speed monitoring, such as rivers, forests, highways, railways, airports, ports, sentries, squares, parks, scenic sites, streets, stations, large venues, outside of residential areas, etc.

Specifications

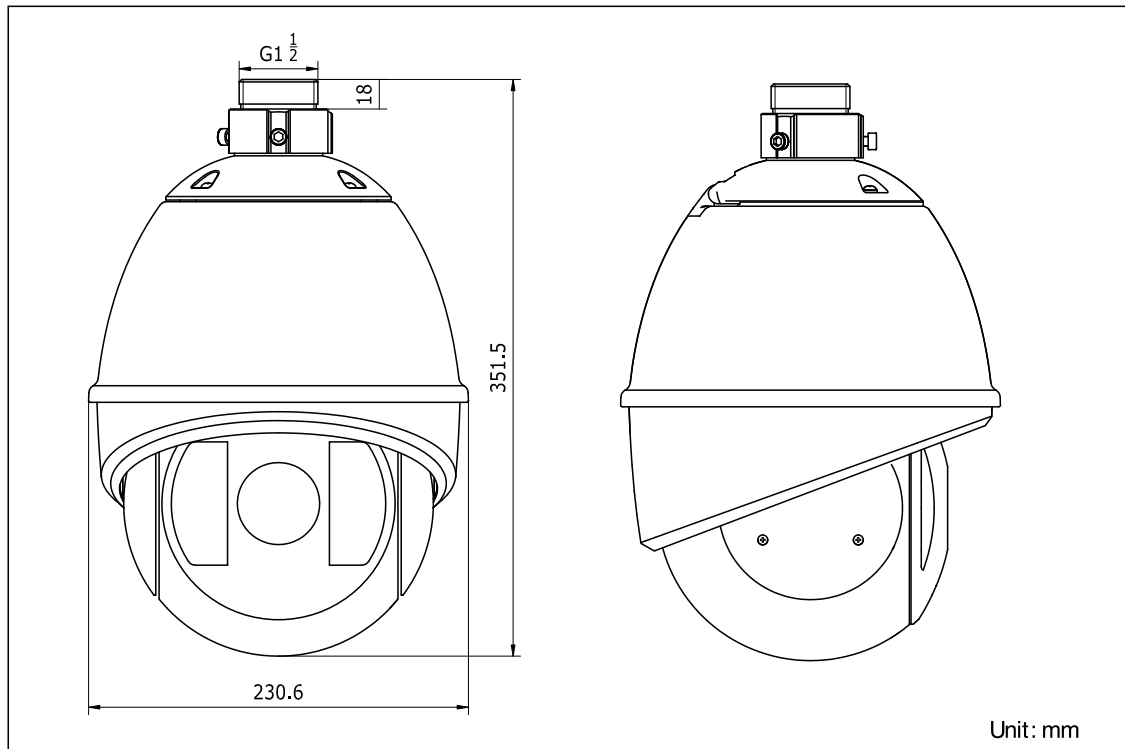
Parameter		Model	DS-2DF1-718-C(Outdoor) Network IR High Speed Dome
Camera	Image Sensor		1/4" Sony Super HAD CCD
	Effective Pixel		PAL:752(H)×582(V) NTSC:768(H)×494(V)
	Horizontal Resolution		Color: 540 TVL B/W: 600 TVL
	Signal System		PAL /NTSC
	Min. Illumination		Color: 0.2Lux/F1.6 B/W:0.02Lux/F1.6 0 Lux with IR
	White Balance		Auto / Manual / ATW / Indoor / Outdoor
	AGC		Auto / Manual
	S / N Ratio		≥ 50dB
	BLC		On / Off
	WDR		128x(On/Off/Auto)
	Shutter Time		PAL:1-1/10,000s NTSC:1-1/10,000s
	Day & Night		IR Cut Filter
	Digital Zoom		16x
	Privacy Mask		24 privacy masks programmable
	Focus Mode		Auto / Semiautomatic / Manual
Lens	Focal Length		3.4-122.4mm, 36X
	Zoom Speed		Approx.5.4s(Optical Wide-Tele)
	Angle of View		57.8-1.7degree (Wide-Tele)
	Min. Working Distance		10-1,000mm(Wide-Tele)
	Aperture Range		F1.6 - F4.5
Pan and Tilt	Pan Range		360° endless
	Pan Speed		Pan Manual Speed: 0.1°-160°/s, Pan Preset Speed: 240°/s
	Tilt Range		-10°-90° (Auto Flip)
	Tilt Speed		Tilt Manual Speed: 0.1°-120°/s, Tilt Preset Speed: 200°/s
	Proportional Zoom		Rotation speed can be adjusted automatically according to zoom multiples
	Number of Preset		256
	Patrol		8 patrols, up to 32 presets per patrol

	Pattern	4 patterns, with the recording time not less than 10 minutes per pattern
	Power-off Memory	Support
	Park Action	Preset / Patrol / Pattern / Pan scan / Tilt scan / Random scan / Frame scan / Panorama scan
	PTZ Position Display	On / Off
	Preset Freezing	Support
Infrared	IR distance	80m
	IR Intensity	Automatically adjusted, depending on the zoom ratio
Alarm	Alarm Input	2 (7 alarm inputs optional)
	Alarm Output	2 relay outputs, alarm response actions configurable
	Alarm Action	Preset, Patrol, Pattern, SD/SDHC card recording, Relay output, Notification on Client
Input/Output	Monitor Output	1.0V[p-p] / 75Ω, NTSC (or PAL) composite, BNC
	Audio Input	Audio input (LINE input), 2-2.4V[p-p]; output impedance: 1KΩ, ±10%
	Audio Output	Line level, impedance: 600Ω
Network	Ethernet	10Base-T / 100Base-TX, RJ45 connector
	Max. Image Resolution	PAL: 704×576 NTSC: 704×480
	Frame Rate	PAL: 25 fps (704×576) NTSC: 30 fps (704×480)
	Image Compression	H.264/MJPEG
	Audio Compression	G.711
	Protocols	IPv4, HTTP, FTP, SMTP, SNMP, DNS, NTP, RTSP, RTP, TCP, UDP, IGMP, ICMP, DHCP, PPPoE (HTTPS optional)
	No. of Simultaneous Users	Up to 6 users
	Dual Streams	Support
	Mini SD Memory Card	Manual REC / Alarm REC. Built-in SD/SDHC Slot, up to 32GB
	User/Host Level	3 Levels: Administrator, Camera control, Live view only
	Security Measures	User authentication (ID and PW), Host authentication (MAC address)
Client GUI	Camera Control	Pan / Tilt, Zoom, Focus, Click centering, Drag zoom, Iris, Preset position call and program, Auto mode.
	Camera Name	Up to 32 characters
	Date & Time Display	Time: Week: Date, 6 formats on the Client
	Reading Patrol Message	Display and reading of preset message contained in each patrol via client software
General	Menu Language	English
	R S - 4 8 5 Protocols (optional)	HIKVISION, Pelco-P, Pelco-D, self-adaptive
	Power	24 VAC (12 VDC optional) Max. 50W (IR LED On) , Max. 35W (IR LED Off)
	W o r k i n g Temperature / Humidity	-30 °C-65°C (-22°F-149°F) (outdoor) 90% or less
	Protection Level	IP66 standard (outdoor dome) TVS 4,000V lightning protection, surge protection and voltage transient protection
	Mounting	Various mounting modes optional
	Dimensions	Φ230.6 × 351.5mm (Φ9.08" × 13.84") (Outdoor)
	Weight (approx.)	5.5kg (12.13lbs)

Mount Option (only suitable for outdoor dome)

Long-arm wall mount: DS-1614ZJ; Corner mount: DS-1633ZJ; Pole Mount: DS-1622ZJ; Power box mount: DS-1634ZJ

Dimensions



Accessories



DS-1614ZJ Long-arm Wall Mount Bracket