

DS-2CD2520F



Key Features

- Up to 2 megapixel (1920 × 1080 @ 30 fps) resolution
- Standard video compression with high compression ratio, ROI (region of interest) encoding
- Progressive scan CMOS
- Small and nice
- PoE (Power over Ethernet)
- Built-in Micro SD/SDHC/SDXC card slot, up to 128 GB
- 3D Digital Noise Reduction
- Support dual stream, and the sub-stream for mobile surveillance
- Support Backlight Compensation, Digital Wide Dynamic Range, Auto-electronic shutter and so on
- 3-axis adjustment for easy installation
- Ingress Protection level: IP66
- Impact Protection: IEC60068-2-75 test, Eh, 20J; EN50102, up to IK10
- Other functions: heartbeat, mirror image, reset button, etc
- Support intrusion detection and line crossing detection
- Support VCA, which is compatible with NVR for the second time of video searching and analysing

Application Scenarios

It is suitable for low or no illumination environment with HD image quality like road, storage, underground park, bar, tube, garden and so on. Especially it can be used in monitor space needed HD image quality and imperceptibility like hotel, supermarket, office, passage, stairs, elevator, etc.

Specifications

Model	DS-2CD2520F
parameters	2 megapixel CMOS Network Mini Dome Camera
Camera	

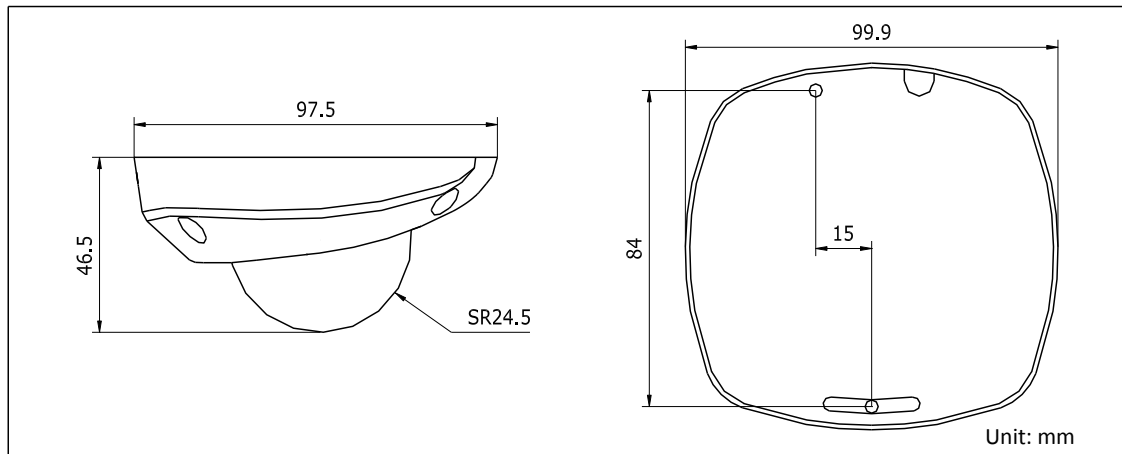
Image Sensor	1/2.8" Progressive Scan CMOS
Min. Illumination	Color : 0.01Lux @(F1.2,AGC ON), 0.028Lux @(F2.0,AGC ON) B/W : 0.001Lux @(F1.2,AGC ON), 0.0028Lux @(F2.0,AGC ON)
Shutter Speed	1/3 s to 1/100,000 s
Lens	4mm@F2.0 (2.8mm, 6mm optional) Angle of view: 85°(4mm)
Lens Mount	M12
Day & Night	Electronic
Digital Noise Reduction	3D DNR
Angle Adjustment	Pan: ± 15°, Tilt: 0 - 90°, Rotation: ± 15°
WDR	Digital WDR
Compression Standard	
Video Compression	H.264 / MJPEG
H.264 encoding level	BaseLine Profile/Main Profile
Video Bit Rate	32Kbps~8Mbps
Image	
Max. Resolution	1920 × 1080
Frame Rate	50Hz: 25fps(1920 × 1080), 25fps (1280 × 960), 25fps (1280 × 720) 60Hz: 30fps(1920 × 1080), 30fps (1280 × 960), 30fps (1280 × 720)
Image Settings	Rotate mode, Saturation, Brightness, Contrast adjustable by client software or web browser
Backlight compensation	Yes, zone optional
ROI	Support
Network	
Network Storage	Local storage: Built-in Micro SD/SDHC/SDXC card slot, up to 128 GB. NAS (Support NFS,SMB/CIFS)
Alarm Trigger	Intrusion detection, Line crossing detection, Motion detection, Dynamic Analysis, Tampering alarm, Network disconnect, IP address conflict, Storage full, storage error
Protocols	TCP/IP,ICMP,HTTP,HTTPS,FTP,DHCP,DNS,DDNS,RTP,RTSP,RTCP, PPPoE,NTP,UPnP,SMTP,SNMP,IGMP,802.1X,QoS,IPv6,Bonjour
Standard	ONVIF, PSIA, CGI, ISAPI
General function	One-key reset, Flash-prevention, dual stream, heartbeat, mirror, password protection, privacy mask, watermark, IP address filtering, Anonymous access
Interface	
Communication	1 RJ45 10M/100M Ethernet interface
General	
Operating Conditions	-30 °C – 60 °C (-22 °F – 140 °F) Humidity 95% or less (non-condensing)

Power Supply	12 VDC±10% / PoE
Power Consumption	Max. 4W
Protect level	IP66
Impact Protection	IEC60068-275Eh, 20J; EN50102, up to IK10
Dimensions (mm)	99.9 × 97.5 × 46.5 mm (3.93" × 3.84" × 1.83")
Weight	400 g (0.88 lbs)

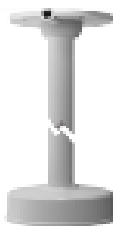
Order Model

DS-2CD2520F

Dimensions



Accessories



Pendant mount
DS-1271ZJ-120



Indoor/Outdoor wall mount
DS-1272ZJ-120