



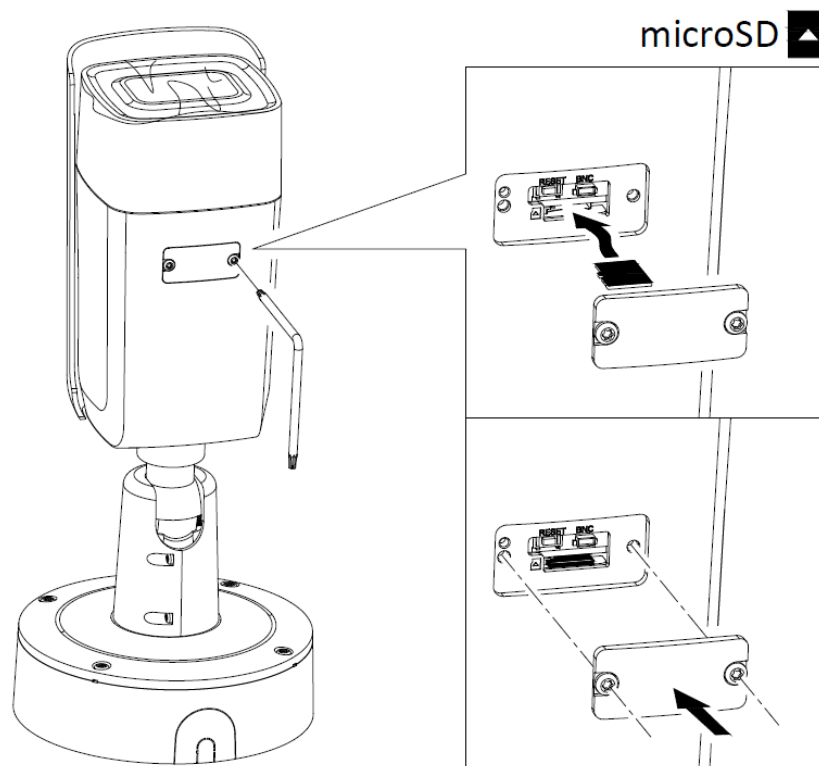
How to Install Junction Box of 26xx 27xx 2Hxx Series Camera

Title:	How to Install Junction Box of 26xx 27xx 2Hxx Series Camera	Version:	v1.0	Date:	09/10/2018
Product:	26xx 27xx 2Hxx Series Camera			Page:	1 of 15

How to Install Junction Box of 26xx 27xx 2Hxx Series Camera

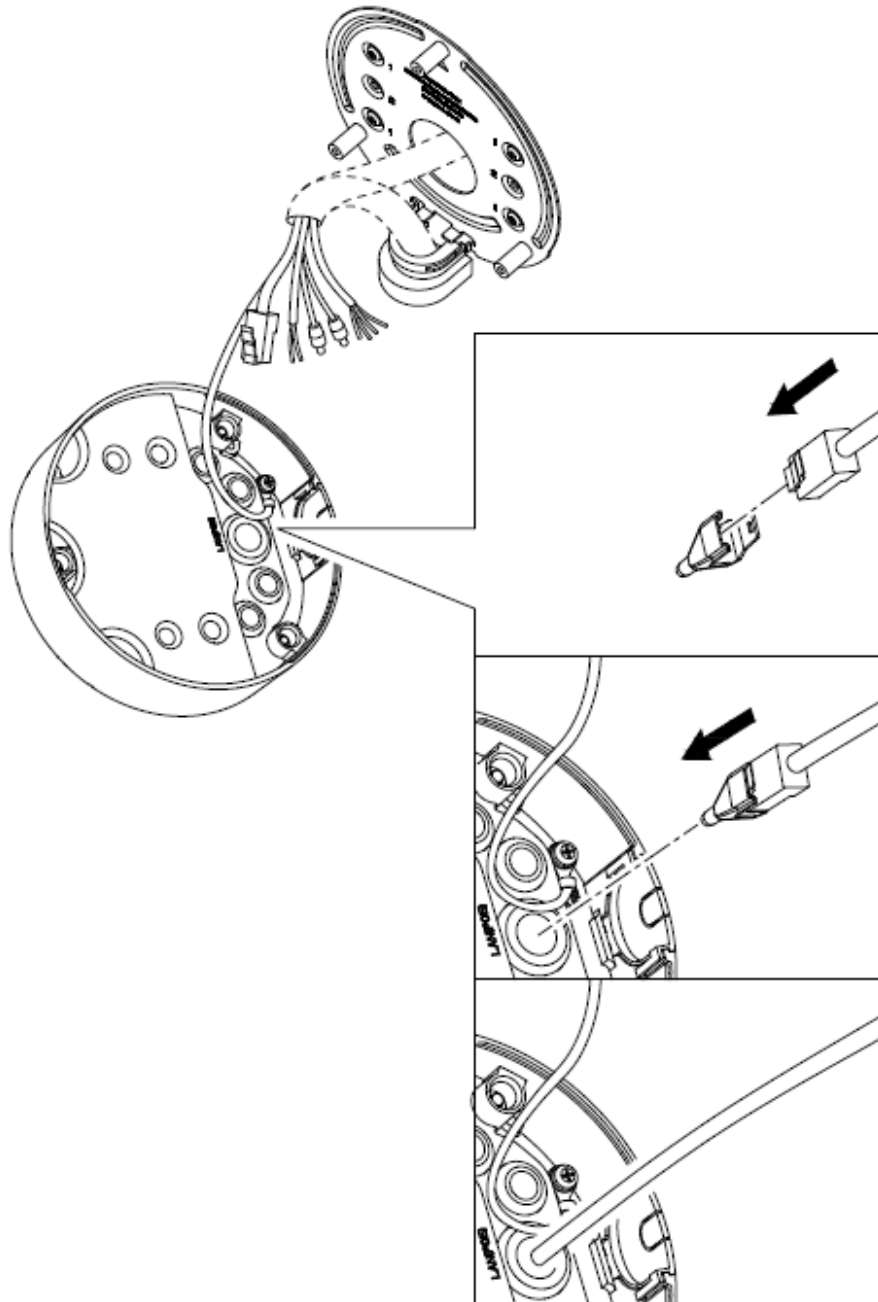
1. Installation of 26xx series bullet camera junction box

- 1) After the SD card is installed, make sure that the card slot protective cover is properly installed

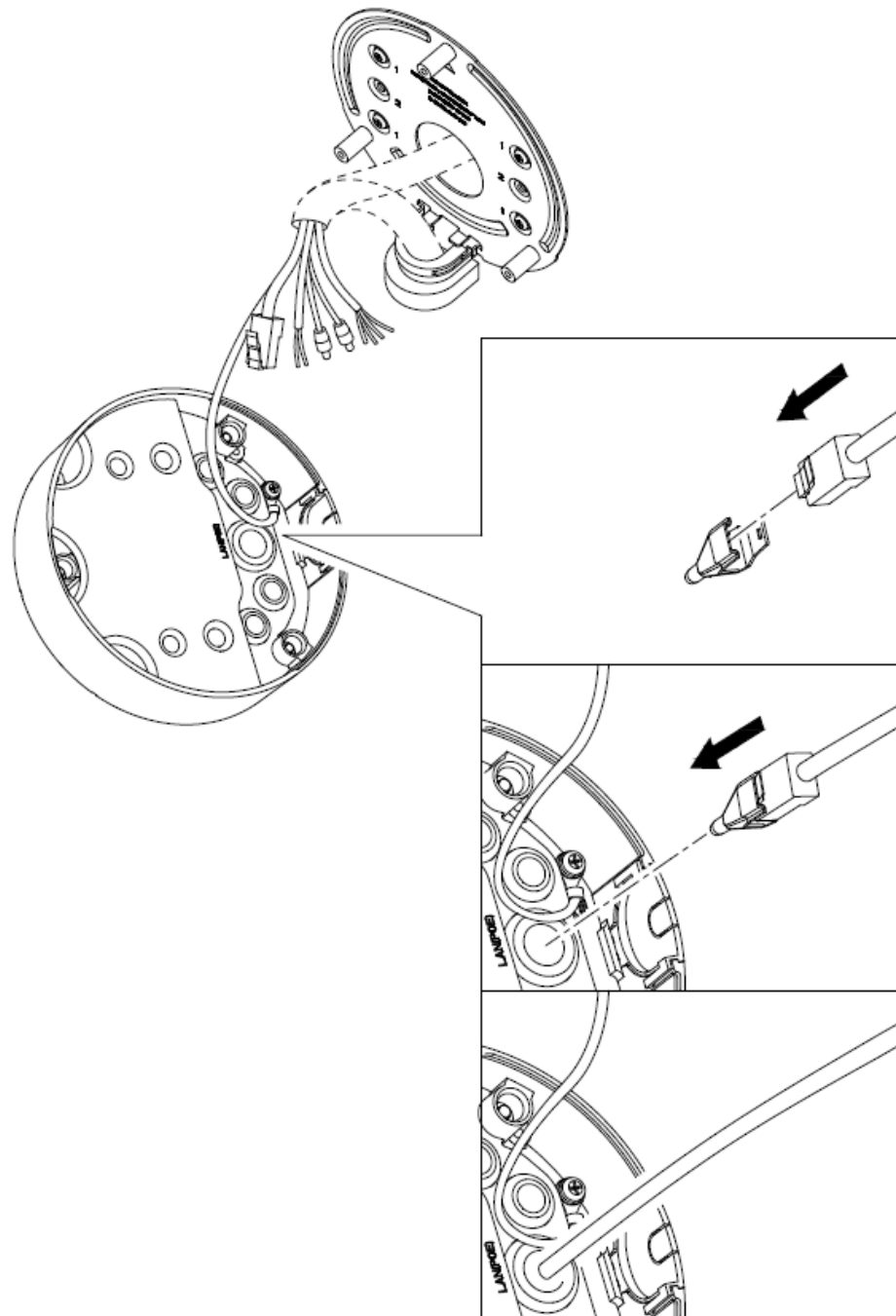


- 2) The position of silicone waterproof cap in junction box shall be kept as original status, and the cable shall be inserted after being punctured, or put it back as it is after being taken down, do not reverse. Use the punch build-in the box to puncture the waterproof cap in the middle carefully and pass through network cable, use the hexagon wrench build-in the box to puncture other waterproof caps carefully and pass through power cable or audio cable if needed, do not use knife or other tools to destroy the silicone waterproof cap.

Title:	How to Install Junction Box of 26xx 27xx 2Hxx Series Camera	Version:	v1.0	Date:	09/10/2018
Product:	26xx 27xx 2Hxx Series Camera			Page:	2 of 15

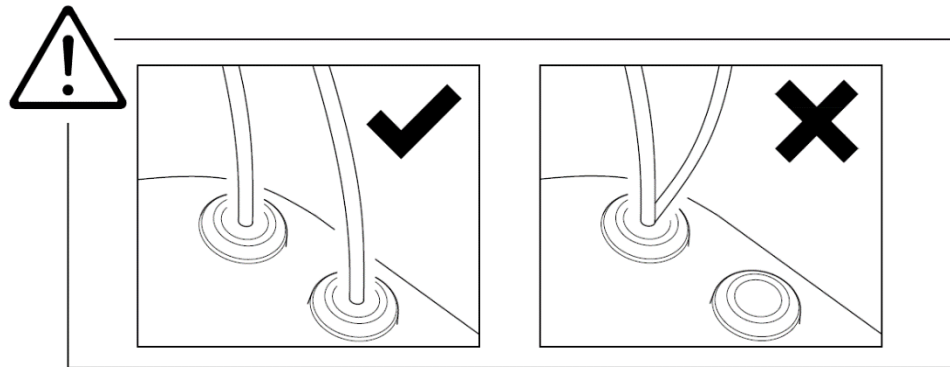


Title:	How to Install Junction Box of 26xx 27xx 2Hxx Series Camera	Version:	v1.0	Date:	09/10/2018
Product:	26xx 27xx 2Hxx Series Camera			Page:	3 of 15

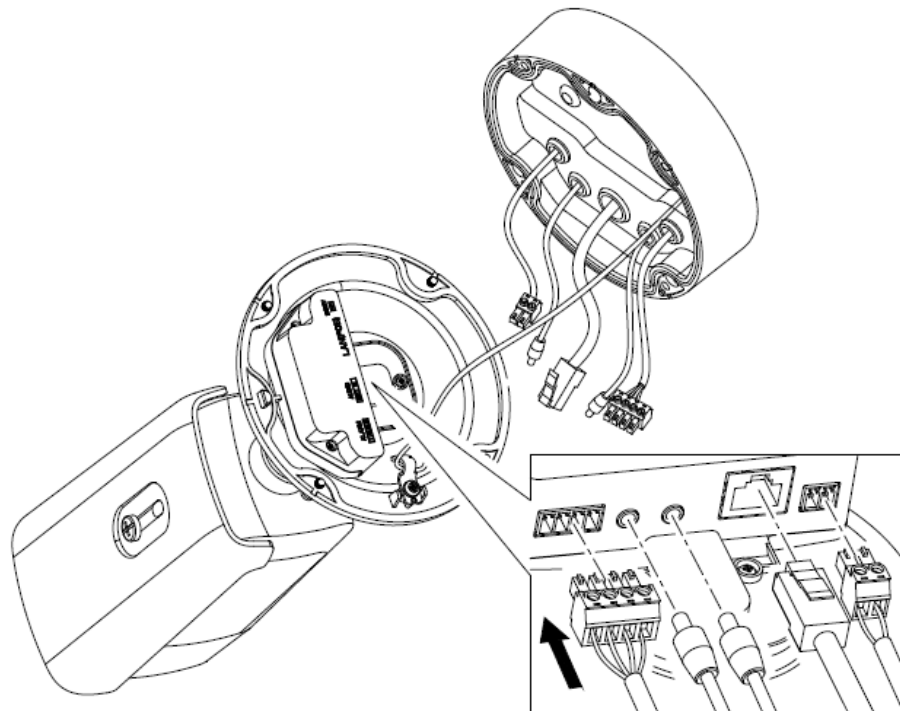
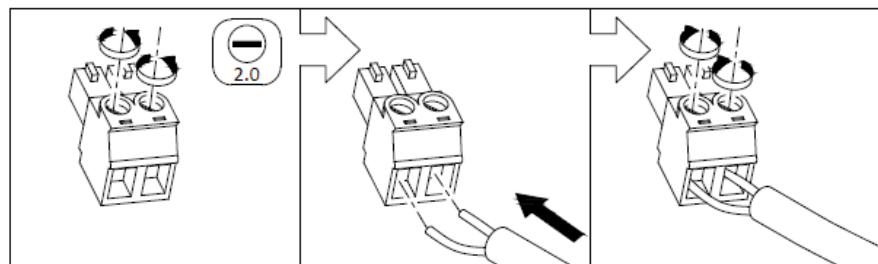


- 3) When the cable passes through the silicone waterproof cap of the junction box, it shall be guaranteed that single line with single port, do not multiple lines shared with the same outlet port

Title:	How to Install Junction Box of 26xx 27xx 2Hxx Series Camera	Version:	v1.0	Date:	09/10/2018
Product:	26xx 27xx 2Hxx Series Camera			Page:	4 of 15



4) Wiring steps as shown below

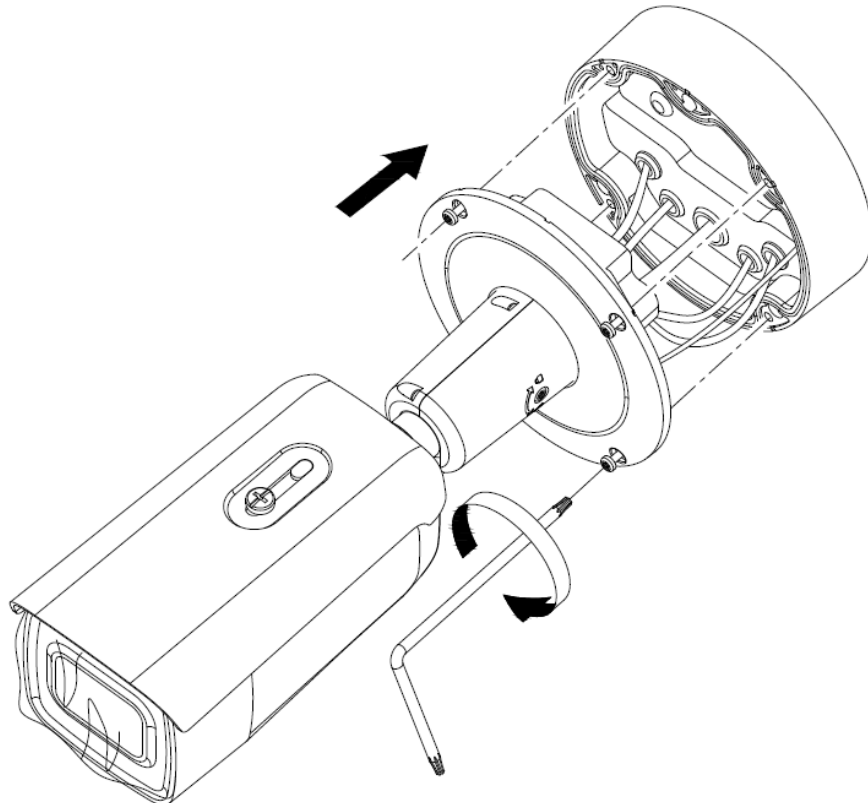


5) Cable waterproof wiring diagram :

Title:	How to Install Junction Box of 26xx 27xx 2Hxx Series Camera	Version:	v1.0	Date:	09/10/2018
Product:	26xx 27xx 2Hxx Series Camera			Page:	5 of 15



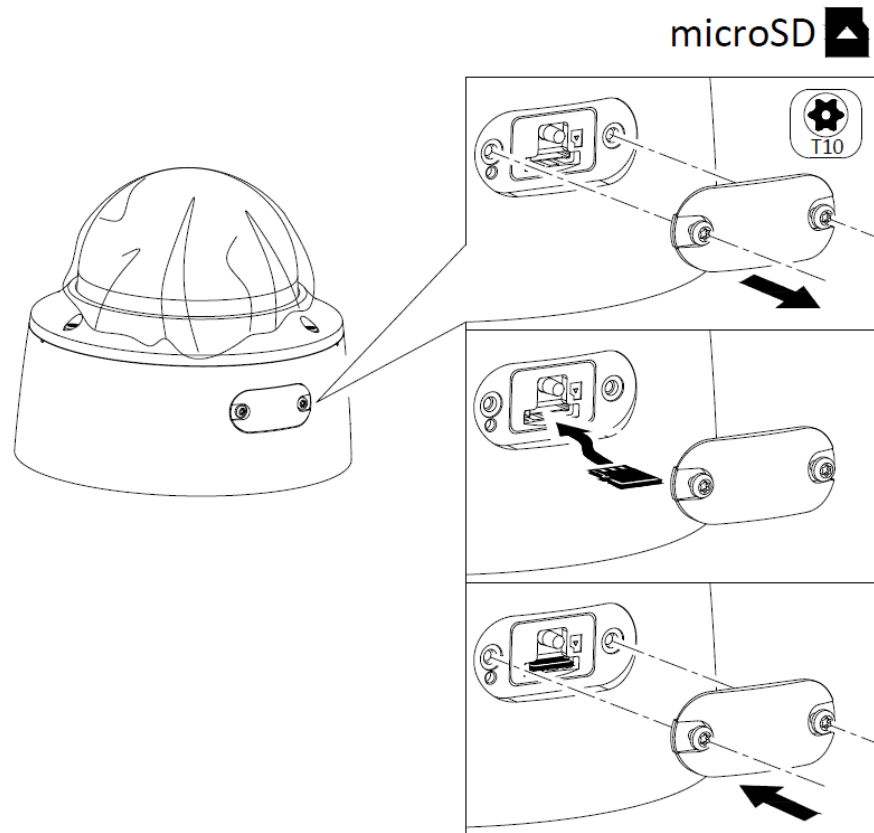
- 6) When installing the junction box and shell, pay attention to tight press the sealing ring. As shown below.



2. Installation of 27xx series dome junction box

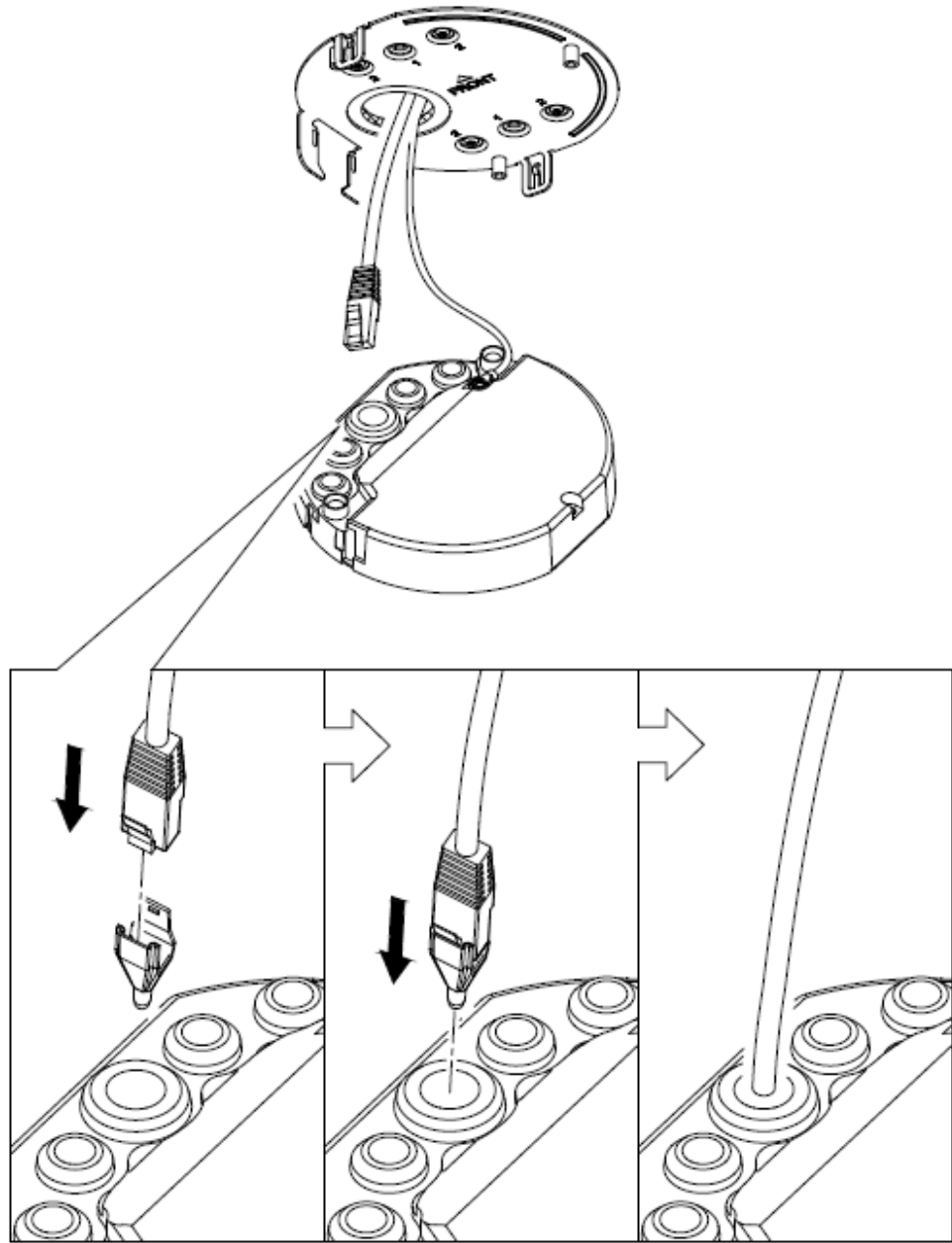
Title:	How to Install Junction Box of 26xx 27xx 2Hxx Series Camera	Version:	v1.0	Date:	09/10/2018
Product:	26xx 27xx 2Hxx Series Camera			Page:	6 of 15

- 1) After the SD card is installed, make sure that the card slot protective cover is properly installed

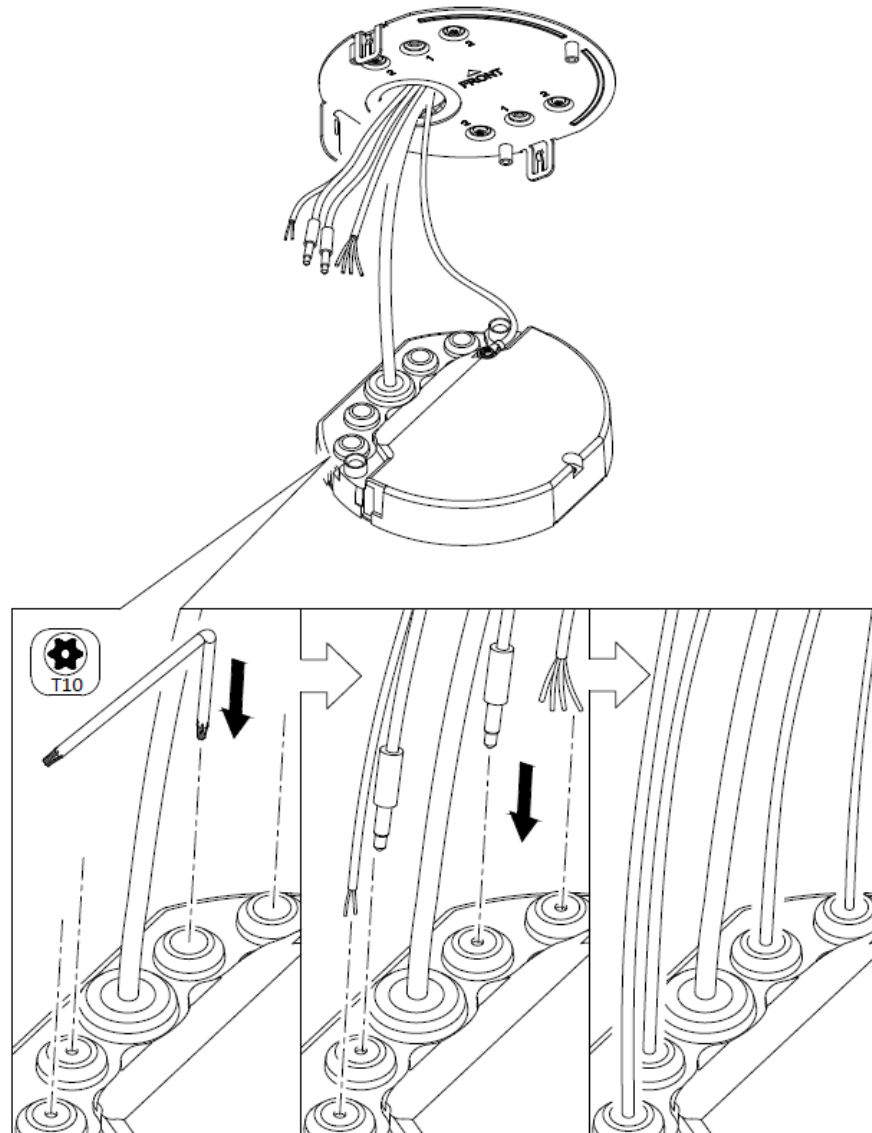


- 2) The position of silicone waterproof cap in junction box shall be kept as original status, and the cable shall be inserted after being punctured, or put it back as it is after being taken down. do not reverse. Use the punch build-in the box to puncture the waterproof cap in the middle carefully and pass through network cable, use the hexagon wrench build-in the box to puncture other waterproof caps carefully and pass through power cable or audio cable if needed, do not use knife or other tools to destroy the silicone waterproof cap.

Title:	How to Install Junction Box of 26xx 27xx 2Hxx Series Camera	Version:	v1.0	Date:	09/10/2018
Product:	26xx 27xx 2Hxx Series Camera			Page:	7 of 15

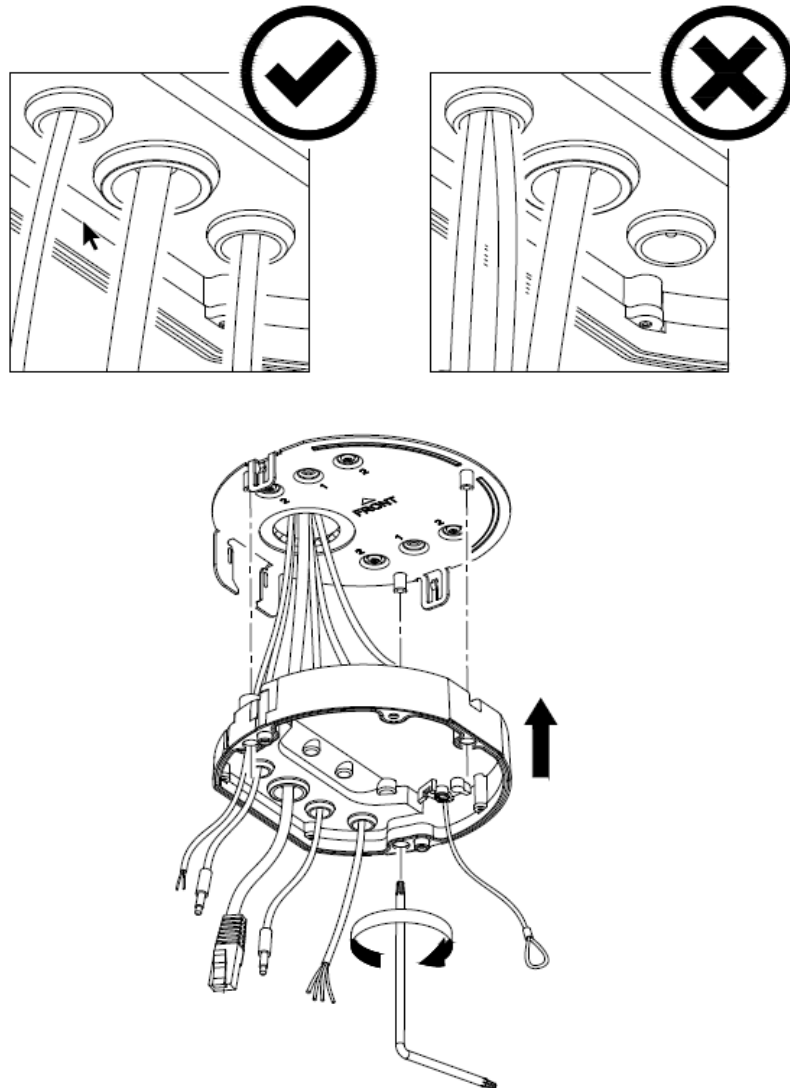


Title:	How to Install Junction Box of 26xx 27xx 2Hxx Series Camera	Version:	v1.0	Date:	09/10/2018
Product:	26xx 27xx 2Hxx Series Camera			Page:	8 of 15



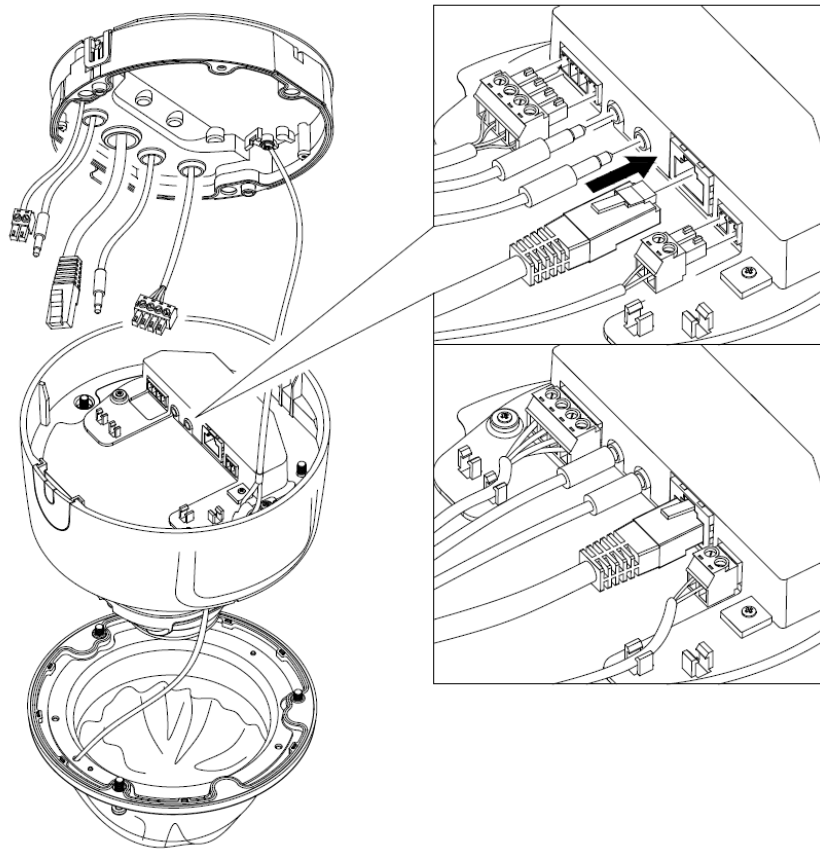
- 3) When the cable passes through the silicone waterproof cap of the junction box, it shall be guaranteed that single line with single port, do not multiple lines shared with the same outlet port.

Title:	How to Install Junction Box of 26xx 27xx 2Hxx Series Camera	Version:	v1.0	Date:	09/10/2018
Product:	26xx 27xx 2Hxx Series Camera			Page:	9 of 15



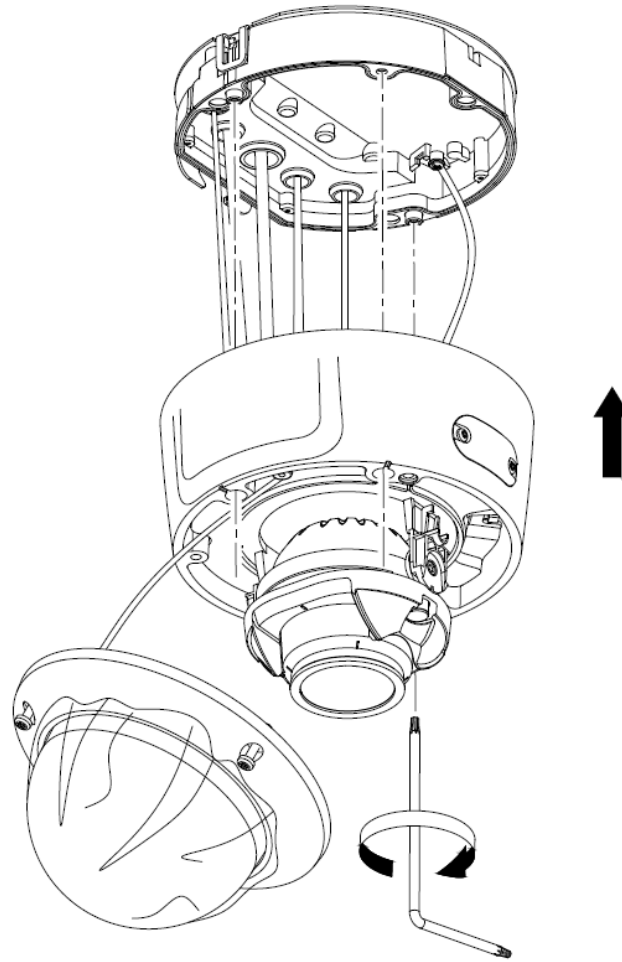
- 4) Wiring steps as shown below (Cable waterproof wiring diagram refer to 26xx series).

Title:	How to Install Junction Box of 26xx 27xx 2Hxx Series Camera	Version:	v1.0	Date:	09/10/2018
Product:	26xx 27xx 2Hxx Series Camera			Page:	10 of 15



- 5) When installing the junction box and shell, pay attention to tight press the sealing ring.

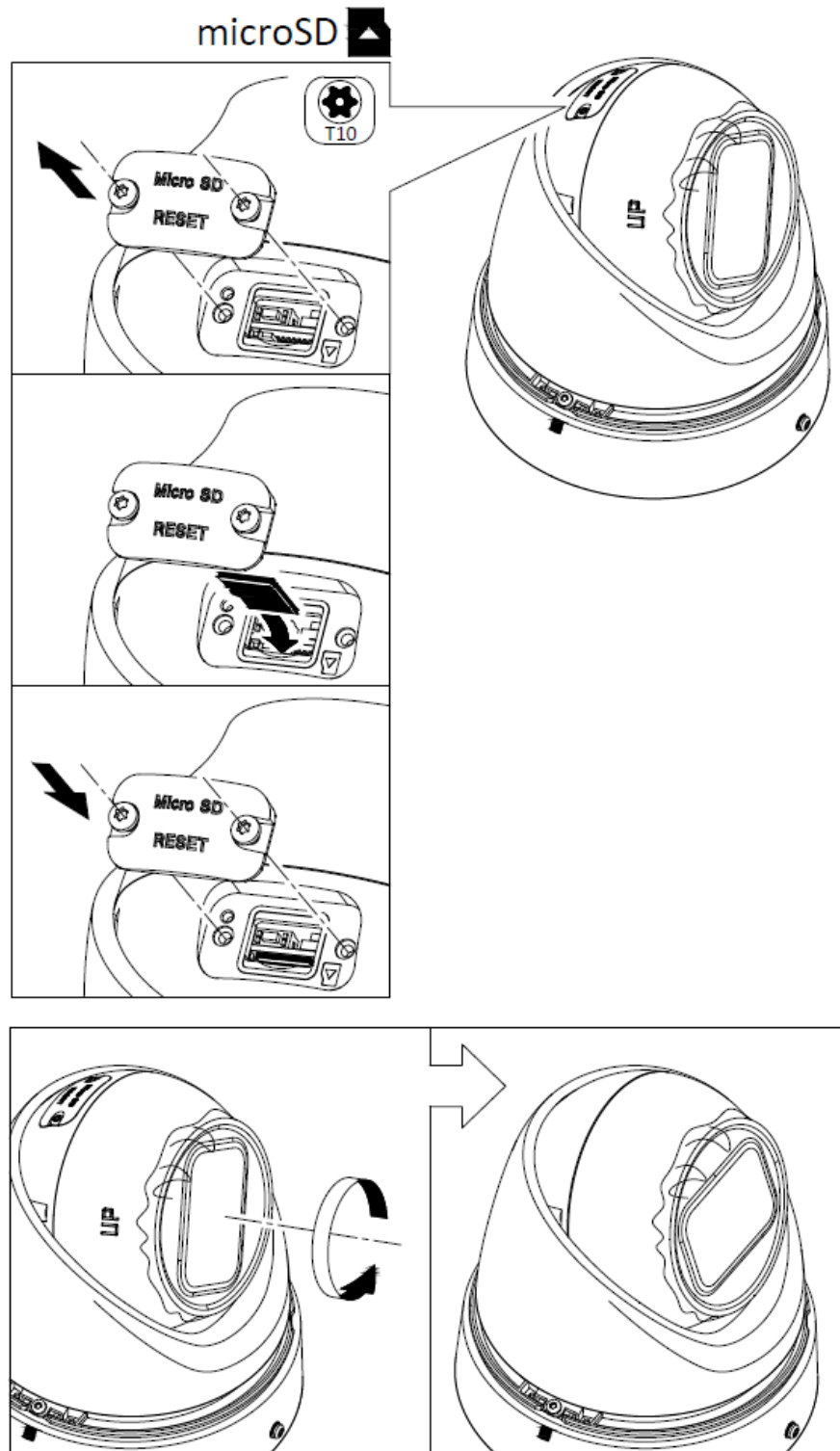
Title:	How to Install Junction Box of 26xx 27xx 2Hxx Series Camera	Version:	v1.0	Date:	09/10/2018
Product:	26xx 27xx 2Hxx Series Camera			Page:	11 of 15



3. Installation of 2Hxx series bullet junction box

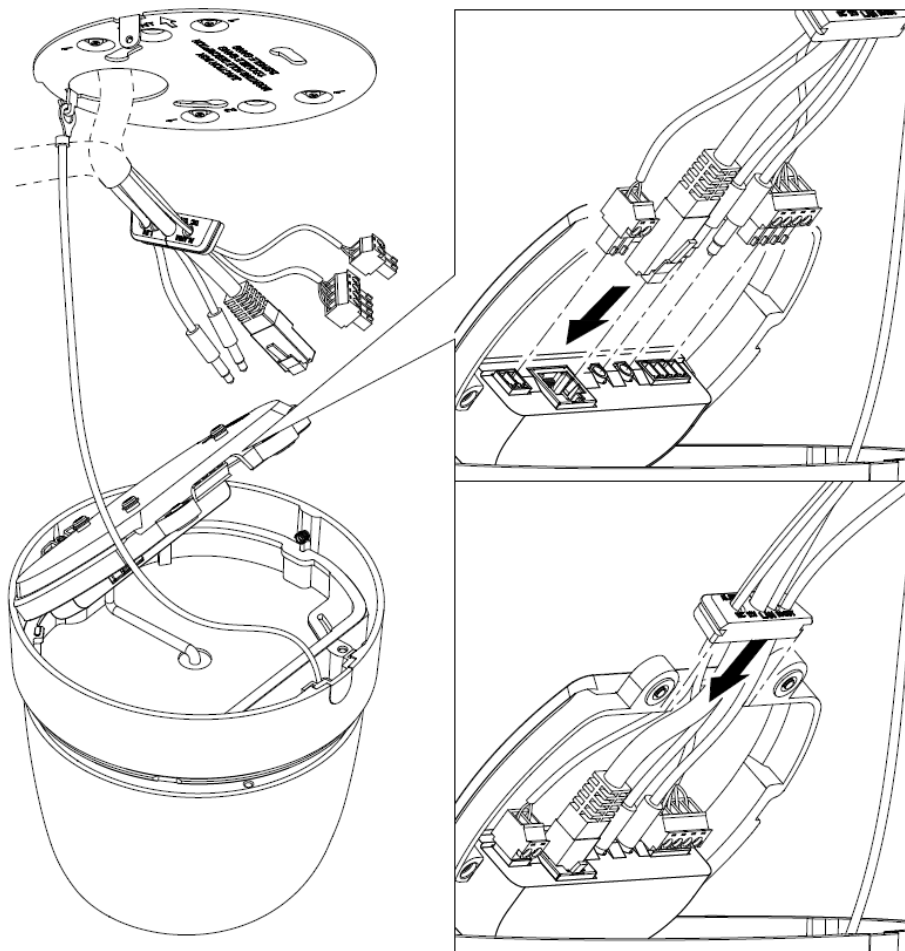
- 1) After the SD card is installed, make sure that the card slot protective cover is properly installed.

Title:	How to Install Junction Box of 26xx 27xx 2Hxx Series Camera	Version:	v1.0	Date:	09/10/2018
Product:	26xx 27xx 2Hxx Series Camera			Page:	12 of 15



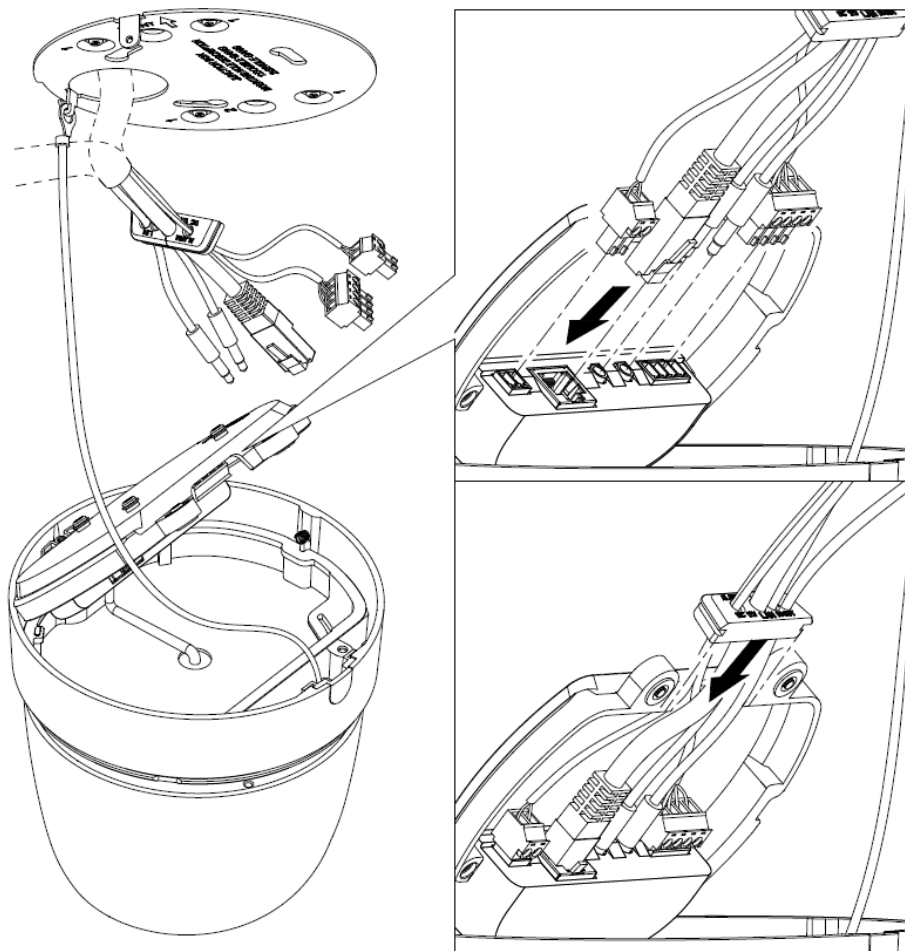
- 2) When the cable passes through the silicone protective layer, the slot should be made sure to correspond to the cable one by one, so as to avoid water inflow caused by the inconsistency of the pore size.

Title:	How to Install Junction Box of 26xx 27xx 2Hxx Series Camera	Version:	v1.0	Date:	09/10/2018
Product:	26xx 27xx 2Hxx Series Camera			Page:	13 of 15



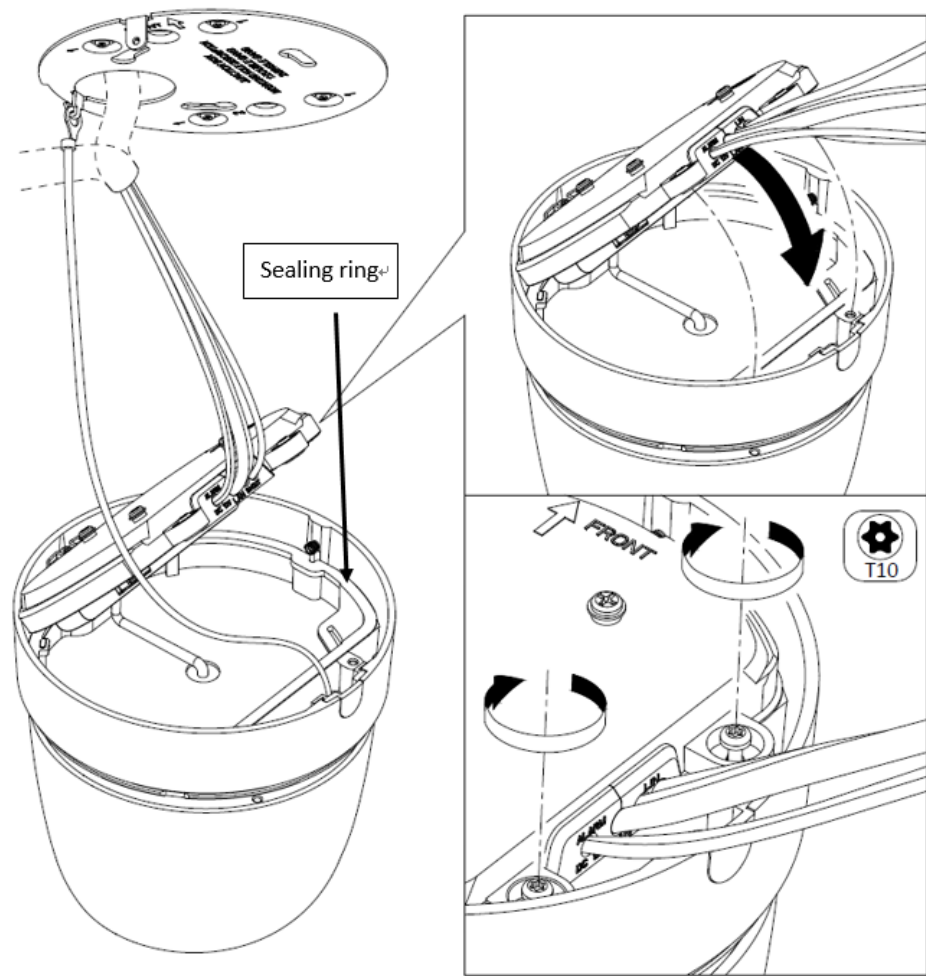
- 3) Wiring steps as shown below (Cable waterproof wiring diagram refer to 26xx series).

Title:	How to Install Junction Box of 26xx 27xx 2Hxx Series Camera	Version:	v1.0	Date:	09/10/2018
Product:	26xx 27xx 2Hxx Series Camera			Page:	14 of 15



- 4) When installing the junction box and shell, pay attention to tight press the sealing ring.

Title:	How to Install Junction Box of 26xx 27xx 2Hxx Series Camera	Version:	v1.0	Date:	09/10/2018
Product:	26xx 27xx 2Hxx Series Camera			Page:	15 of 15





See Far, Go Further