

Title:	DS-K4E100 Connect to Access Controller or Access Control Terminal	Version:	v1.0	Date:	03/31/2020
Product:	Access Control Devices			Page:	1 of 6

Preparation

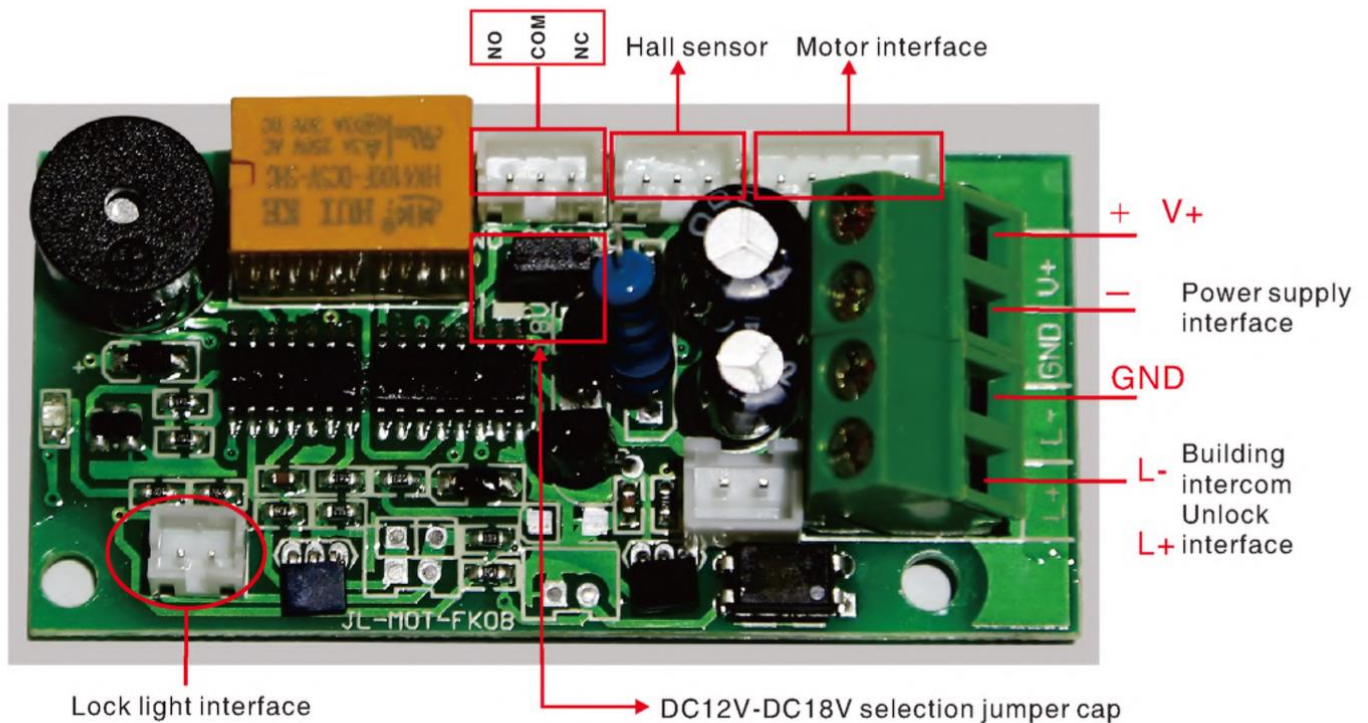
1. Access Controller 2600 series
2. Access Control Terminal
3. Lock DS-K4E100

DS-K4E100 Connect to Access Controller or Access Control Terminal

This document is simply used to guide users how to wire correctly and ensure access control terminal or K2600 controller can control lock K4E100.

K4E100 Working Principle:

The lock tongue will be extended and locked when the V+ (12V) & GND power up. And when the L + and L- terminals are powered immediately ($>5V$), the lock tongue will retracted to unlock.

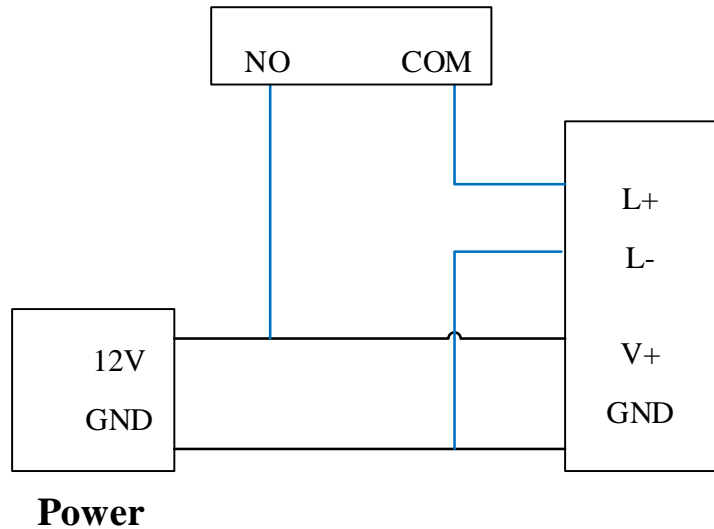


Title:	DS-K4E100 Connect to Access Controller or Access Control Terminal	Version:	v1.0	Date:	03/31/2020
Product:	Access Control Devices			Page:	2 of 6

Wiring Type 1:

Access Control Terminal Connection:

Access Control Terminal

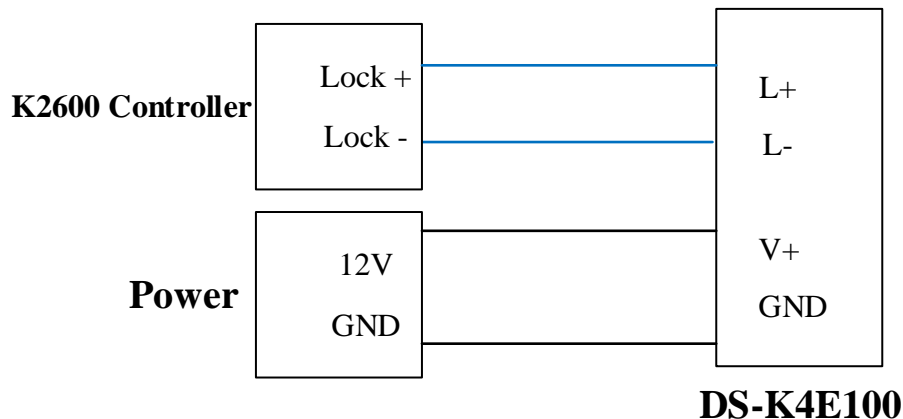


Note:

- 1) The power output power is recommended to be above 12V / 1A.
- 2) The DS-K4E100 is normally open (The Lock will unlock when L + / L- terminals powered), so need connect to Access Control Terminal **NO / COM** output.
- 3) This wiring method is also applicable to all kinds of door station in Hikvision video intercom products.

Wiring Type 2:

Access Controller 2600 series:



Title:	DS-K4E100 Connect to Access Controller or Access Control Terminal	Version:	v1.0	Date:	03/31/2020
Product:	Access Control Devices			Page:	3 of 6

Note:

- 1) The power output power is recommended to be above 12V / 1A.
- 2) The DS-K4E100 is normally open (The Lock will unlock when L + / L- terminals powered), so K2600 Controller relay need configure to **NO / COM** output.
- 3) This K2600 Lock+ and Lock- have connect 12V power already, so not need connect to additional 12V power.

Simple problems to deal with

1. Not locked after closing;
 - A. Check whether the power supply is normal, whether the voltage is normal, the wiring is correct unlock signal instantaneous DC12V.
 - B. Check the door lock and vice lock gap is too large, the door sensor can't induction if gap is more than 8mm.
 - C. Check the lock body and vice lock body installation position is not accurate cause lock tongue sticking out lock.
2. Give unlock signal, but does not unlock
 - A. Check the wiring is correct
 - B. Check unlock voltage is correct, a voltage greater than the normal requirement unlock DC5V.
3. Manual unlocking is not flexible, cylinder rotating connectors have misplaced stuck, check whether the lock of a foreign body stuck phenomenon.

See Far, Go Further
HIKVISION Technical Support