

<b>Title:</b>	DS-K1800 Series Card Readers Connect to DS-K2800 Series Access Controllers	<b>Version:</b>	v1.0	<b>Date:</b>	7/15/2017
<b>Product:</b>	Access Control Device	<b>Page:</b>	1 of 5		



## DS-K1800 Series Card Readers Connect to DS-K2800 Series Access Controllers

### Preparation

Connecting card reader to access controller is mainly applied to swiping card to open the door for entering or exiting. The models of card reader and access controller in this guide are as below:

Card Reader	Access Controller
DS-K1801M/MK, DS-K1802M/MK, DS-K1801E/EK, DS-K1802E/EK	DS-K2801, DS-K2802, DS-K2804

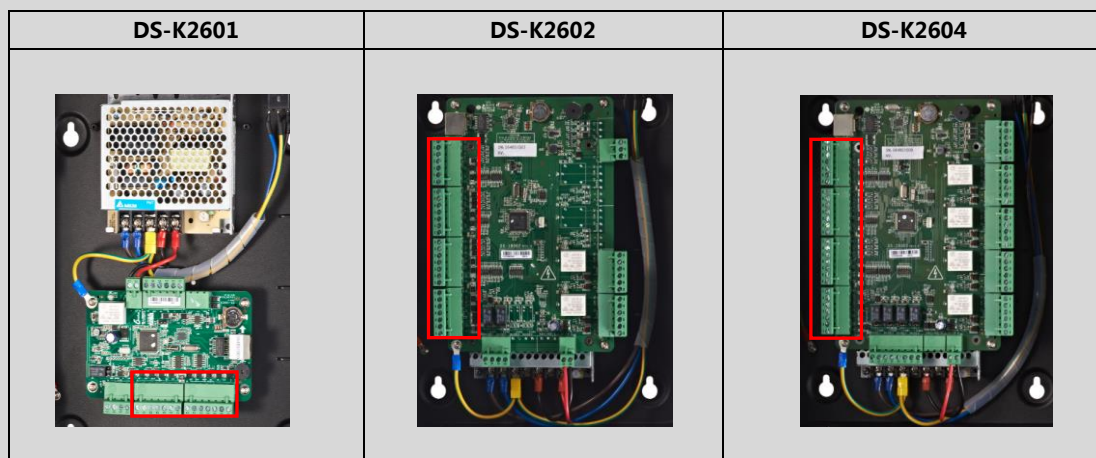
### Notice

1. Please cut off power supply before wiring;
2. DS-K1800 Series Card Readers support standard Wiegand 26/34 protocol , the details about Wiegand interface about of card reader are as below;

Color	Description
Red	PWR(+12 VDC)
Black	GND
Green	Wiegand W0
White	Wiegand W1
Blue	Wiegand 26/34
Purple	Beep Control
Brown	OK
Orange	ERR

Cable	Wiring mode	Wiegand Mode
Blue Wiegand cable	Grounded	Wiegand 26
	Not Grounded	Wiegand 34

3. Correspondingly, there are wiegand interfaces in DS-K2800 series access controllers;



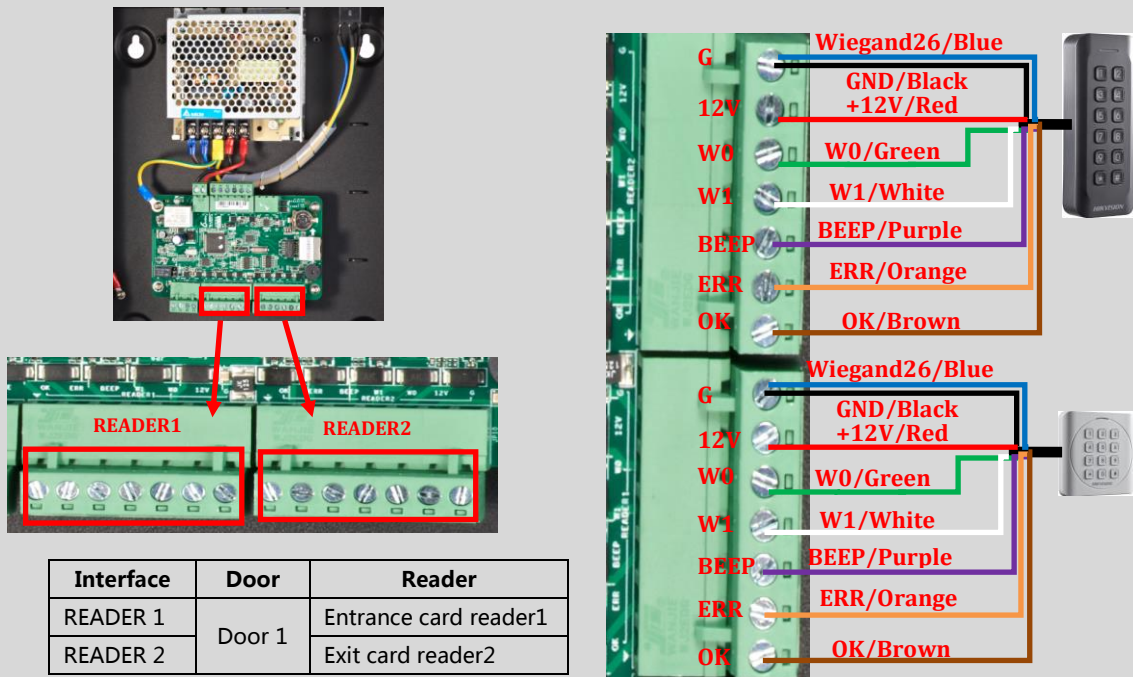
<b>Title:</b>	DS-K1800 Series Card Readers Connect to DS-K2800 Series Access Controllers	<b>Version:</b>	v1.0	<b>Date:</b>	7/15/2017
<b>Product:</b>	Access Control Device	<b>Page:</b>	2 of 5		



## Method 1: Wiegand 26 Wiring

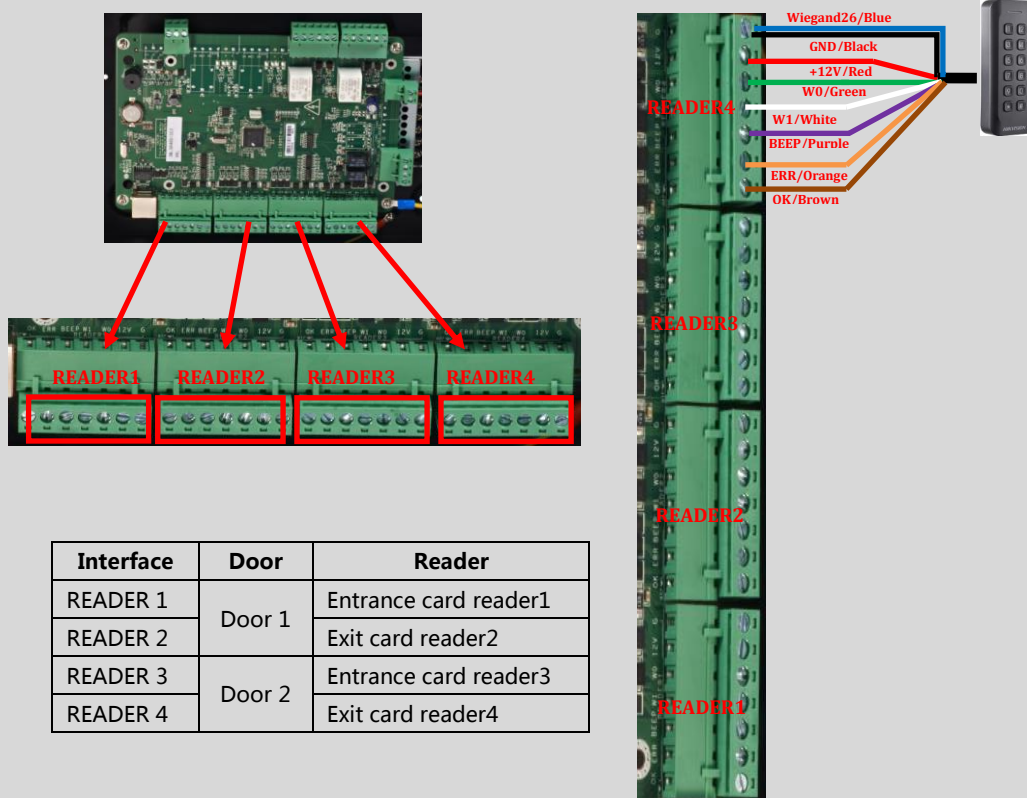
### DS-K2801:

Please connect card reader to access controller as following picture;



### DS-K2802:

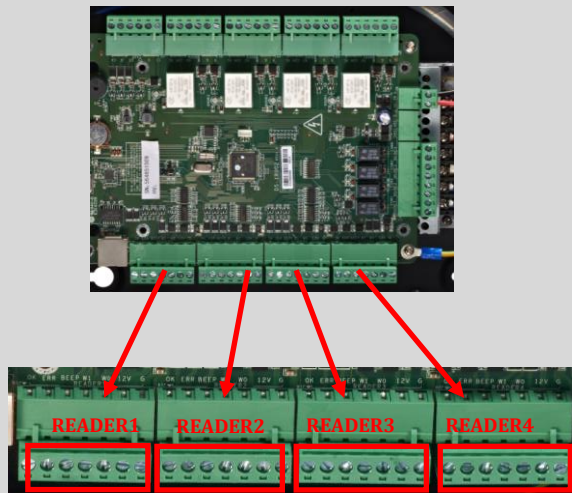
Please connect card reader to access controller as following picture, you can also refer to DS-K2801 wiring and get clearer wiring;



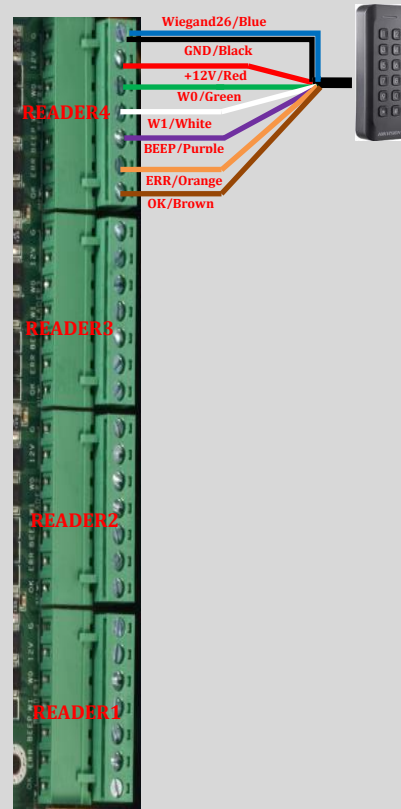
**DS-K2804:**

For four-door access controller, there are four wiegand interfaces in mainboard of access cotroller and these four wiegand interfaces are designed for entrance card reader; And there are no extended wiegand interfaces because of space limitation.

Please connect card reader to access controller as following picture, you can also refer to DS-K2801 wiring and get clearer wiring;



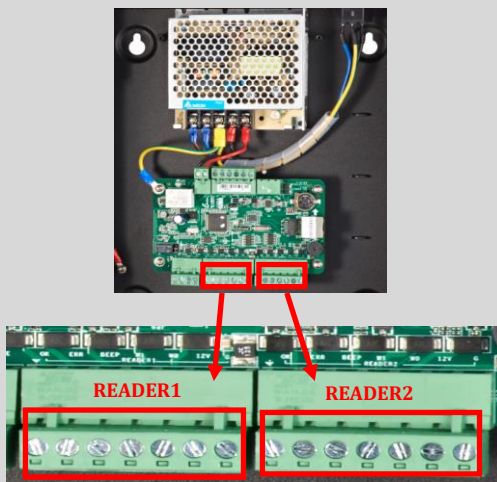
Interface	Door	Reader
READER 1	Door 1	Entrance card reader1
READER 2	Door 2	Entrance card reader3
READER 3	Door 3	Entrance card reader5
READER 4	Door 4	Entrance card reader7



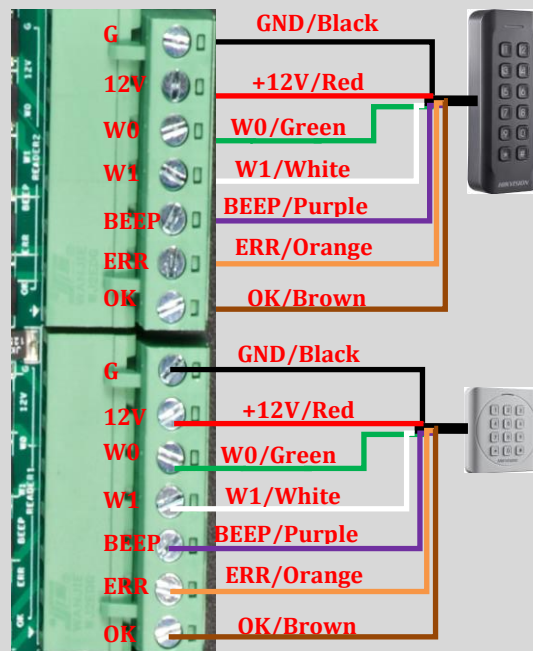
**Mothed 2: Wiegand 34 Wiring**

**DS-K2801:**

Please connect card reader to door station as following picture;



Interface	Door	Reader
READER 1	Door 1	Entrance card reader1
READER 2		Exit card reader2



**DS-K2802:**

Please connect card reader to access controller as following picture, you can also refer to DS-K2801 wiring and get clearer wiring;

The image shows the mainboard and terminal block for the DS-K2802 access controller. Red arrows point from the terminal block labels to the mainboard. A wiring diagram shows a card reader connected to the terminal block with the following connections:

- GND/Black
- +12V/Red
- W0/Green
- W1/White
- BEEP/Purple
- ERR/Orange
- OK/Brown

Interface	Door	Reader
READER 1	Door 1	Entrance card reader1
READER 2		Exit card reader2
READER 3	Door 2	Entrance card reader3
READER 4		Exit card reader4

**DS-K2804:**

For four-door access controller, there are four wiegand interfaces in mainboard of access cotroller and these four wiegand interfaces are designed for entrance card reader; And there are no extended wiegand interfaces because of space limitation. Please connect card reader to access controller as following picture, you can also refer to DS-K2801 wiring and get clearer wiring;

The image shows the mainboard and terminal block for the DS-K2804 access controller. Red arrows point from the terminal block labels to the mainboard. A wiring diagram shows a card reader connected to the terminal block with the following connections:

- GND/Black
- +12V/Red
- W0/Green
- W1/White
- BEEP/Purple
- ERR/Orange
- OK/Brown

Interface	Door	Reader
READER 1	Door 1	Entrance card reader1
READER 2	Door 2	Entrance card reader3
READER 3	Door 3	Entrance card reader5
READER 4	Door 4	Entrance card reader7

<b>Title:</b>	DS-K1800 Series Card Readers Connect to DS-K2800 Series Access Controllers	<b>Version:</b>	v1.0	<b>Date:</b>	7/15/2017
<b>Product:</b>	Access Control Device	<b>Page:</b>	5 of 5		



**First Choice for Security Professionals**

***HIK*VISION Technical Support**