

AcuSense
Technology

The Easy Upgrade

to

AI



**FOCUS
and
ACT**

Network Cameras | PTZs | NVRs | DVRs



AcuSense Technology
For more information, please visit our
AcuSense page.



Headquarters
No.555 Qianmo Road, Binjiang District, Hangzhou 310051, China
T +86-571-8807-5998
overseasbusiness@hikvision.com

Follow us on social media to get the latest product and solution information

- Hikvision
- HikvisionHQ
- HikvisionHQ
- Hikvision_Global
- hikvisionhq
- Hikvision Corporate Channel

HIKVISION



To protect homes and businesses, people need smart, proactive, reliable security solutions. But traditional CCTV and alarm systems often fall short – with no way to spot real security threats and trigger alarms in real time.

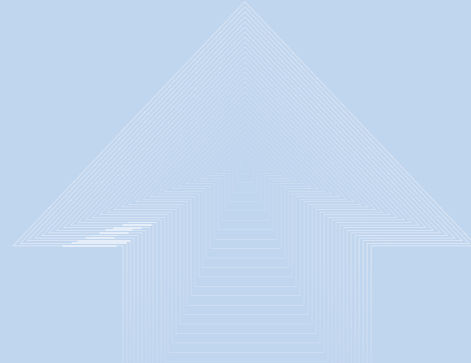
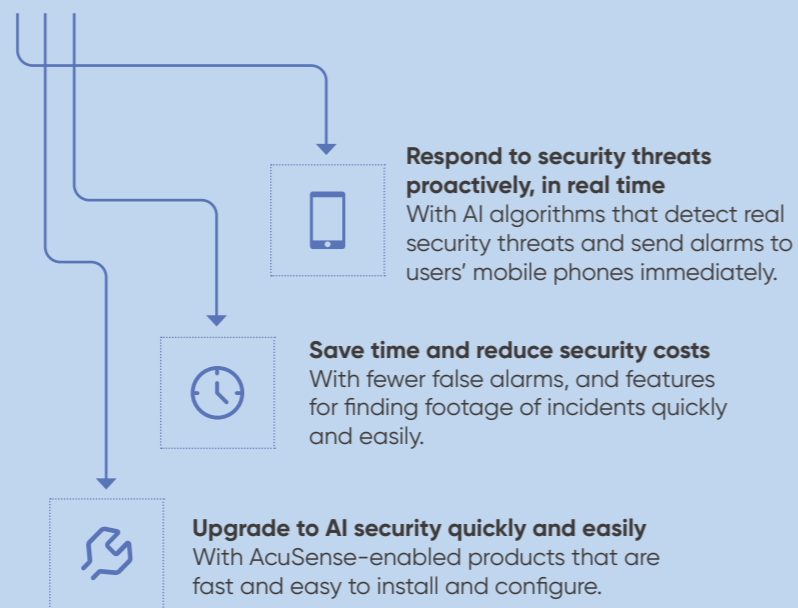
Hikvision AcuSense **solves these security challenges with the power of AI** – helping **boost security** while also significantly **reducing manual workloads and costs.**



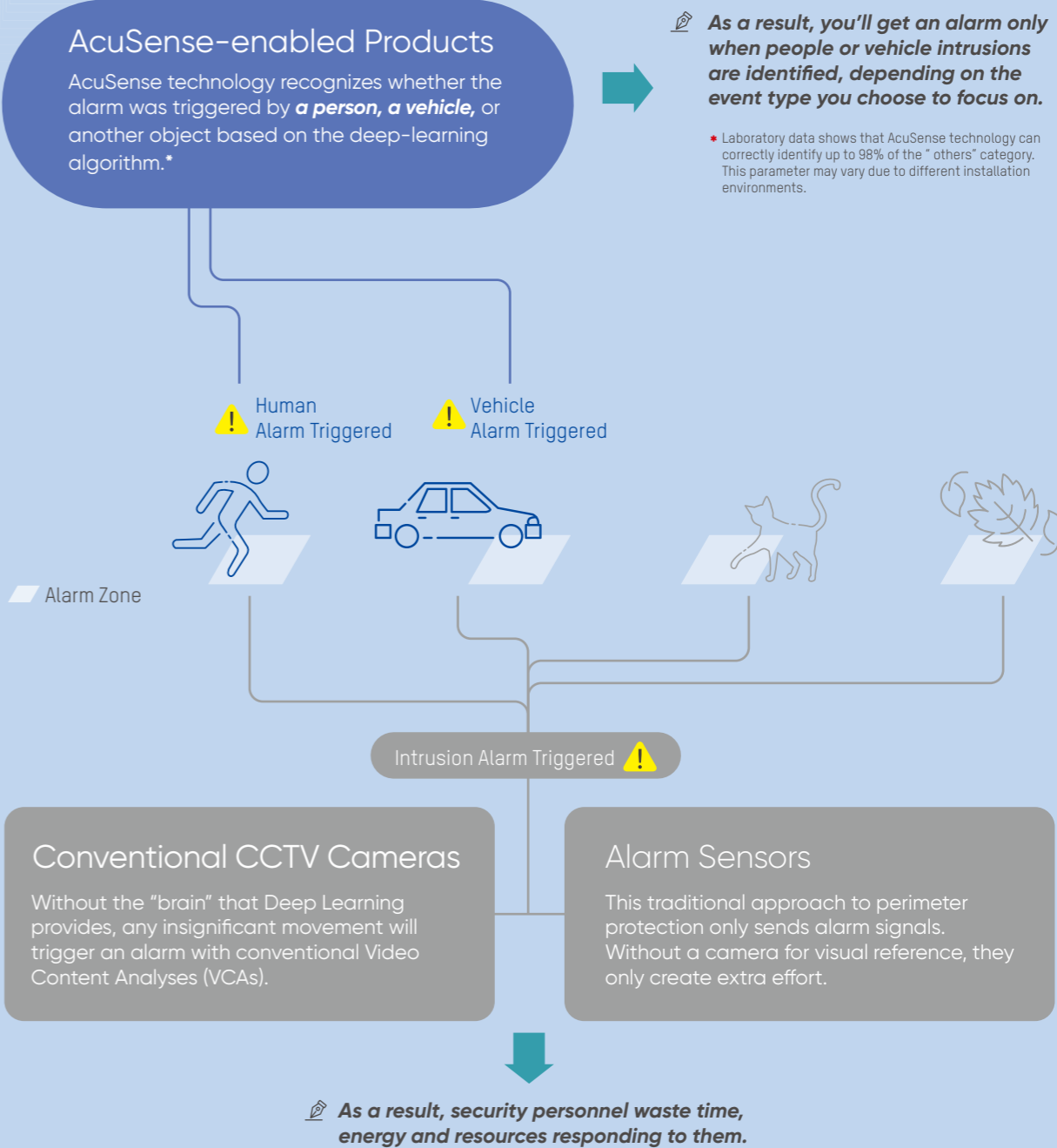
Who is AcuSense for

AcuSense is for any homeowner or business that wants to take security to the next level – with **labor-saving and cost-savings automation capabilities.** With a range of intelligent cameras, NVRs, and DVRs that are perfect for home and business applications, AcuSense provides all the benefits of AI security, with a uniquely **low total cost of ownership.**

With AcuSense-enabled products, homeowners and businesses can



How is AcuSense different



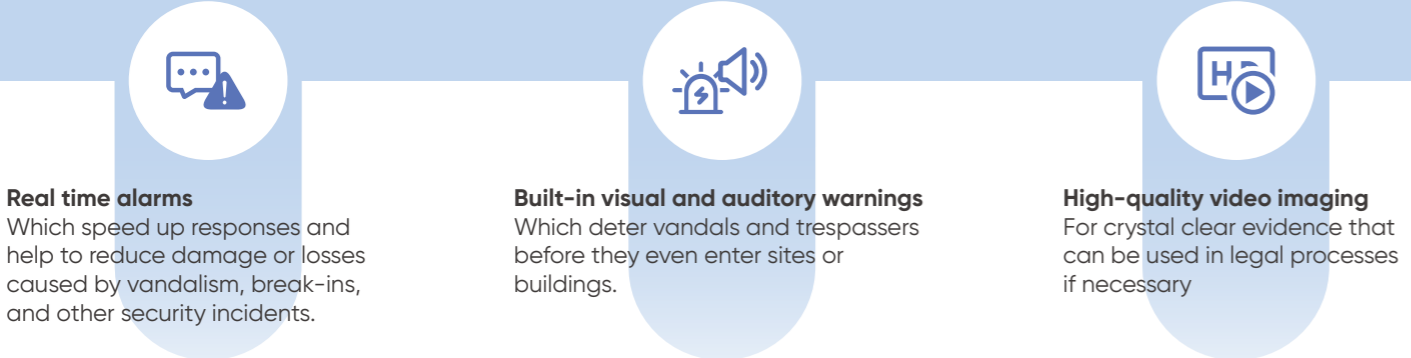
Proactive protection for homes and businesses

AcuSense helps homeowners and businesses to respond to security incidents in real time based on **fast, reliable, verifiable intrusion alerts**. As a result, they can take security to the next level and respond faster to incidents before losses or damages are incurred.

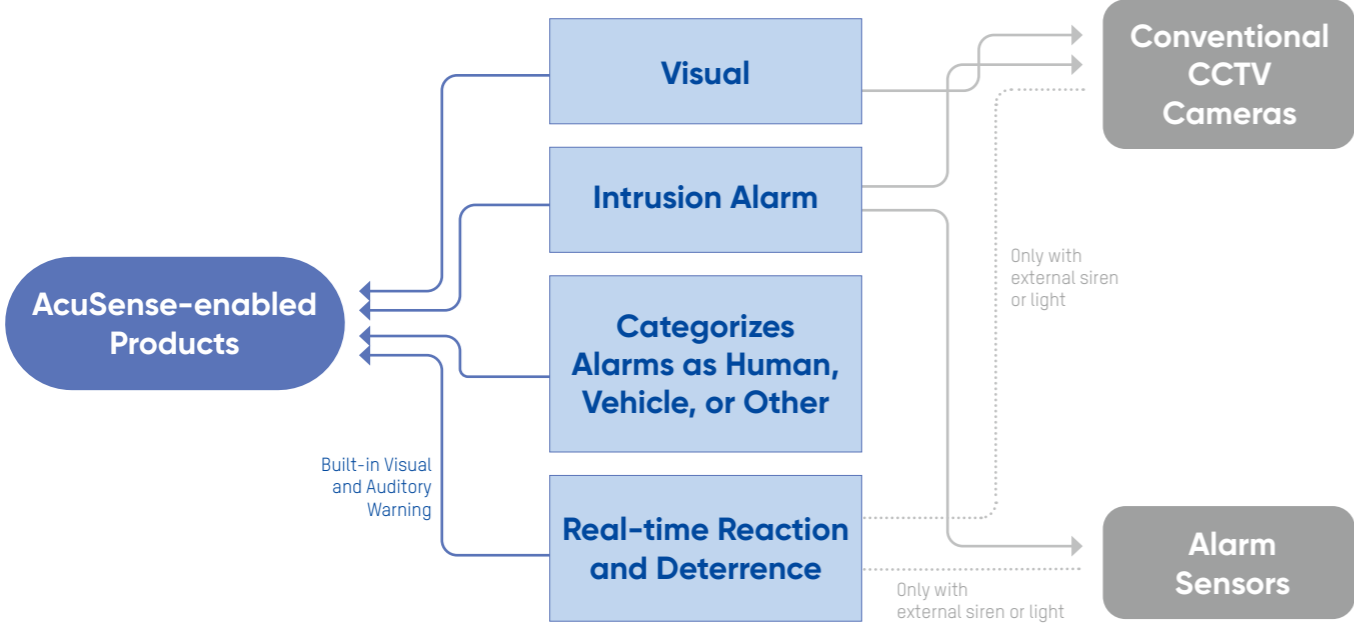
Increased efficiency, cost savings, and fast ROI

AcuSense technology helps homeowners and businesses to reduce security workloads and costs by **minimizing false alarms**, and by **making footage searches fast and easy**.

How it works

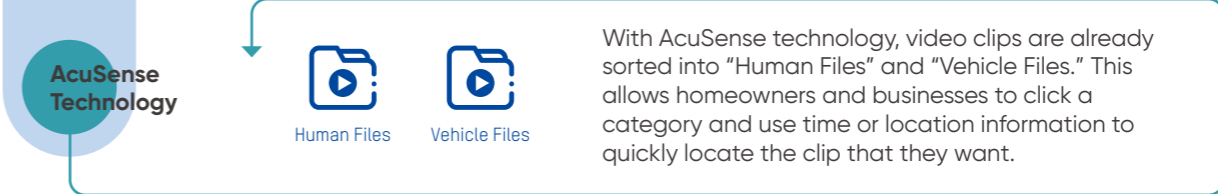


How it works



Search Targets Quickly by Type

For most security events, homeowners and businesses need to search for video clips that capture human or vehicle activities. **With AcuSense, this gets easier:**



There are plenty of clips that are about irrelevant objects – animals, leaves, light and shadow, etc. To find the file that captures a specific target, homeowners and businesses have to browse through all event files within a given time period – which is highly time consuming.

AcuSense Application Scenarios

"Being able to focus on human and vehicle triggered alarms without the distraction of animal or rain-triggered ones greatly improves work efficiency."

Alarm Receiving Center / Monitoring Center

Improved Alarm Accuracy and Search Efficiency

Security monitoring is never an easy task, especially if multiple locations need to be monitored concurrently.

Intrusion alarm services

Traditional sensor-based or VCA-based intrusion alarm services may be distracted with alarms triggered by insignificant objects. With an advanced algorithm, AcuSense technology can easily distinguish human and vehicle targets among other objects, sending alarms only when real intrusion events occur. Other events are stored, but not be flagged for attention.

Playback and video searches

Searching for a specific clip from an ocean of footage is time-consuming. With AcuSense technology, clips or files that are already classified become much easier to locate after an event takes place.

Restricted Areas

Customizable Visual and Auditory Warnings

Restricted areas or dangerous areas usually have signage to warn people of danger. People ignore these signs from time to time, resulting in serious consequences, trespassing in high-security zones, or enduring unfortunate incidents.

With AcuSense technology, end users can customize audio messages that can be broadcasted via cameras when a person or vehicle is detected trying to enter the area.

The human voice is a much more powerful warning compared to just a written sign. Trespassers are also more likely to turn back when they see a camera monitoring the area.

"It's great that I can use my security camera to verbally warn anyone who approaches the area."



"I instantly get alerts and can check with my phone when someone walks into my yard."

Residences

Intrusion Detection and Deterrence for Home Security

Whether a homeowner chooses to keep an eye on their house themselves, or to hire a professional service provider to look after it for them, there are two functions that are critical for success:

Prompt Notifications to End Users' Smartphones

Whether events will be taken care of by the homeowner, or someone else, it's always good to have first-hand information. With AcuSense technology, notifications are sent via an App, or by SMS, when an alarm is triggered. This means that end users can quickly check live video from their phone – allowing them to verify potential security threats instantly.

Light and Sound Trespasser Deterrence

Knowing what the suspect looks like is important, especially for providing evidence to police. However, by the time footage is available, losses have usually already occurred. It would be much better if there was a way to provide on-site deterrence to prevent any loss at all.

With AcuSense technology, this becomes possible! AcuSense-enabled network cameras, for example, can be set up to react to intrusion events with a flashing light and customizable siren, alerting any would-be trespasser that they are being monitored and have already been spotted.

Factories

Accurate Trespass Alarm, 24 Hours a Day

Factories and warehouses store high-value raw materials or commodities. Security here is crucial. However, there are usually only limited resources available to perform such tasks.

Replace Security Patrols with Camera Monitoring

Using AcuSense-enabled products can greatly improve perimeter monitoring efficiency and ensure that limited human resources can be deployed only where they are needed most.

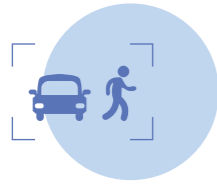
Accurate Trespassing Alarm for Human Targets

Factories and warehouses mostly deal with human intrusion events, which might turn into burglary or vandalism. With AcuSense technology, end users can configure their security devices to send alerts only when human trespassers are detected – ensuring that moving animals and other moving objects never trigger false alarms.

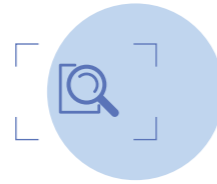


"Now I get notified when people are entering the premises, not when a cat runs into the area."

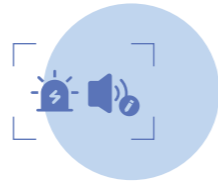
Hikvision products with embedded AcuSense technology



Accurate Alarm for Humans and Vehicles



Search Targets Quickly by Type



Visual and Auditory Warning

Hikvision offers a range of security cameras, NVRs, and DVRs, that have AcuSense technology built in. These are able to detect humans and vehicles extremely reliably, triggering alarms to end users' mobile devices, and creating labels in video footage for fast, accurate incident searches.

High-end Hikvision cameras that incorporate AcuSense technology (such as model 2XX7G2 cameras) also use Hikvision ColorVu technology to provide extremely clear, high-resolution images of vehicles and people of interest – even in ultra low-light conditions or at night.

Most Hikvision cameras that incorporate AcuSense technology have built-in visual and auditory warnings to startle and put off trespassers.

EasyIP 4.0 Network Cameras








Appearance				
Model	DS-2CD2087G2-L(U) DS-2CD2047G2-L(U) DS-2CD2027G2-L(U)	DS-2CD2147G2(-SU) DS-2CD2127G2(-SU)	DS-2CD2387G2-L(U) DS-2CD2347G2-L(U) DS-2CD2327G2-L(U)	DS-2CD2T87G2-L DS-2CD2T47G2-L DS-2CD2T27G2-L
Key Features	<ul style="list-style-type: none"> • 2, 4 or 8 MP resolution • 2.8, 4 or 6 mm fixed lens • IP67 	<ul style="list-style-type: none"> • 2 or 4 MP resolution • 2.8 or 4 mm fixed lens • IP67, IK10 	<ul style="list-style-type: none"> • 2, 4 or 8 MP resolution • 2.8, 4 or 6 mm fixed lens • IP67 	<ul style="list-style-type: none"> • 2, 4 or 8 MP resolution • 2.8, 4 or 6 mm fixed lens • IP67




Appearance					
Model	DS-2CD2647G2-LZS	DS-2CD2747G2-LZS	DS-2CD2047G2-LU/SL	DS-2CD2347G2-LSU/SL	DS-2CD2T47G2-LSU/SL
Key Features	<ul style="list-style-type: none"> • 4 MP resolution • 3.6 to 9 mm motorized VF lens • IP67, IK10 	<ul style="list-style-type: none"> • 4 MP resolution • 3.6 to 9 mm motorized VF lens • IP67, IK10 	<ul style="list-style-type: none"> • 4 MP resolution • 2.8, 4 or 6 mm fixed lens • IP67 	<ul style="list-style-type: none"> • 4 MP resolution • 2.8, 4 or 6 mm fixed lens • IP67 	<ul style="list-style-type: none"> • 4 MP resolution • 2.8, 4 or 6 mm fixed lens • IP67

EasyIP 4.0 Network Cameras




Appearance					
Model	DS-2CD2086G2-I(U) DS-2CD2066G2-I(U) DS-2CD2046G2-I(U) DS-2CD2026G2-I(U)	DS-2CD2186G2-I(SU) DS-2CD2166G2-I(SU) DS-2CD2146G2-I(SU) DS-2CD2126G2-I(SU)	DS-2CD2386G2-I(U) DS-2CD2366G2-I(U) DS-2CD2346G2-I(U) DS-2CD2326G2-I(U)	DS-2CD2T86G2-2I/4I DS-2CD2T66G2-2I/4I DS-2CD2T46G2-2I/4I DS-2CD2T26G2-2I/4I	DS-2CD2466G2-I DS-2CD2446G2-I DS-2CD2426G2-I
Key Features	• 2, 4, 6 or 8 MP resolution • 2.8, 4 or 6 mm fixed lens • IP67	• 2, 4, 6 or 8 MP resolution • 2.8 or 4 mm fixed lens • IP67, IK10	• 2, 4, 6 or 8 MP resolution • 2.8, 4 or 6 mm fixed lens • IP67	• 2, 4, 6 or 8 MP resolution • 2.8, 4 or 6 mm fixed lens • IP67, IK10	• 2, 4, 6 MP resolution • 2.8 or 4 mm fixed lens






Appearance					
Model	DS-2CD2586G2-I(S) DS-2CD2566G2-I(S) DS-2CD2546G2-I(S) DS-2CD2526G2-I(S)	DS-2CD2686G2-IZS DS-2CD2666G2-IZS DS-2CD2646G2-IZS DS-2CD2626G2-IZS	DS-2CD2786G2-IZS DS-2CD2766G2-IZS DS-2CD2746G2-IZS DS-2CD2726G2-IZS	DS-2CD2H86G2-IZS DS-2CD2H66G2-IZS DS-2CD2H46G2-IZS DS-2CD2H26G2-IZS	DS-2CD2086G2-IU/SL DS-2CD2066G2-IU/SL DS-2CD2046G2-IU/SL DS-2CD2026G2-IU/SL
Key Features	• 2, 4, 6 or 8 MP resolution • 2.8 or 4 mm fixed lens • IP66, IK10	• 2, 4, 6 or 8 MP resolution • 2.8 to 12 mm motorized VF lens • IP66, IK10	• 2, 4, 6 or 8 MP resolution • 2.8 to 12 mm motorized VF lens • IP66, IK10	• 2, 4, 6 or 8 MP resolution • 2.8 to 12 mm motorized VF lens • IP66, IK10	• 2, 4, 6 or 8 MP resolution • 2.8, 4 or 6 mm fixed lens • IP66

Appearance			
Model	DS-2CD2386G2-ISU/SL DS-2CD2366G2-ISU/SL DS-2CD2346G2-ISU/SL DS-2CD2326G2-ISU/SL	DS-2CD2T86G2-ISU/SL DS-2CD2T66G2-ISU/SL DS-2CD2T46G2-ISU/SL DS-2CD2T26G2-ISU/SL	DS-2CD2686G2-IZSU/SL DS-2CD2666G2-IZSU/SL DS-2CD2646G2-IZSU/SL DS-2CD2626G2-IZSU/SL
Key Features	• 2, 4, 6 or 8 MP resolution • 2.8, 4 or 6 mm fixed lens • IP66	• 2, 4, 6 or 8 MP resolution • 2.8, 4 or 6 mm fixed lens • IP66	• 2, 4, 6 or 8 MP resolution • 2.8 to 12 mm motorized VF lens • IP66, IK10

* Built-in microphone

EasyIP 2.0+ Network Cameras

Appearance					
Model	DS-2CD2023G2-I(U) DS-2CD2043G2-I(U) DS-2CD2063G2-I(U) DS-2CD2083G2-I(U)	DS-2CD2123G2-I(S/U) DS-2CD2143G2-I(S/U) DS-2CD2163G2-I(S/U) DS-2CD2183G2-I(S/U)	DS-2CD2323G2-I(U) DS-2CD2343G2-I(U) DS-2CD2363G2-I(U) DS-2CD2383G2-I(U)	DS-2CD2423G2-I DS-2CD2443G2-I DS-2CD2463G2-I DS-2CD2483G2-I	DS-2CD2523G2-I(WJS) DS-2CD2543G2-I(WJS) DS-2CD2563G2-IS DS-2CD2583G2-IS
Key Features	• 2, 4, 6 or 8 MP resolution • 2.8, 4 or 6 mm fixed lens • IP67	• 2, 4, 6 or 8 MP resolution • 2.8 or 4 mm fixed lens • IP67, IK10	• 2, 4, 6 or 8 MP resolution • 2.8, 4 or 6 mm fixed lens • IP67	• 2, 4, 6 or 8 MP resolution • 2.8 or 4 mm fixed lens • Microphone and speaker	• 2, 4, 6 or 8 MP resolution • 2.8 or 4 mm fixed lens • IP67, IK08

Appearance					
Model	DS-2CD2E23G2-U DS-2CD2E43G2-U	DS-2CD2T23G2-2I/4I DS-2CD2T43G2-2I/4I DS-2CD2T63G2-2I/4I DS-2CD2T83G2-2I/4I	DS-2CD2623G2-IZS DS-2CD2643G2-IZS DS-2CD2663G2-IZS DS-2CD2683G2-IZS	DS-2CD2723G2-IZS DS-2CD2743G2-IZS DS-2CD2763G2-IZS DS-2CD2783G2-IZS	DS-2CD2H23G2-IZS DS-2CD2H43G2-IZS DS-2CD2H63G2-IZS DS-2CD2H83G2-IZS
Key Features	• 2 or 4 MP resolution • 2.8, 4 or 6 mm fixed lens	• 2, 4, 6 or 8 MP resolution • 2.8, 4 or 6 mm fixed lens • IP67, IK10	• 2, 4, 6 or 8 MP resolution • 2.8 to 12 mm motorized VF lens • IP67	• 2, 4, 6 or 8 MP resolution • 2.8 to 12 mm motorized VF lens • IP67, IK10	• 2, 4, 6 or 8 MP resolution • 2.8 to 12 mm motorized VF lens • IP67





* Built-in microphone

PTZ Network Cameras


Appearance			
Model	DS-2DE4415IW-DE(T5)	DS-2DE4425IW-DE(T5)	DS-2DE5425IW-AE(T5)
Key Features	<ul style="list-style-type: none"> • 4 inch • 4 MP resolution • 15× optical zoom • 100 m IR distance • Powered-by-DarkFighter • Pan speed: 80°/s, Tilt speed: 80°/s • IP66 	<ul style="list-style-type: none"> • 4 inch • 4 MP resolution • 25× optical zoom • 100 m IR distance • Powered-by-DarkFighter • Pan speed: 80°/s, Tilt speed: 80°/s • IP66 	<ul style="list-style-type: none"> • 5 inch • 4 MP resolution • 25× optical zoom • 150 m IR distance • Powered-by-DarkFighter • Pan speed: 120°/s, Tilt speed: 80°/s • IP66

Appearance			
Model	DS-2DE7A425IW-AEB(T5)	DS-2DE7A432IW-AEB(T5)	DS-2DE7A825IW-AEB(T5)
Key Features	<ul style="list-style-type: none"> • 7 inch • 4 MP resolution • 25× optical zoom • 200 m IR distance • Powered-by-DarkFighter • Pan speed: 240°/s, Tilt speed: 200°/s • IP66, IK10 	<ul style="list-style-type: none"> • 7 inch • 4 MP resolution • 32× optical zoom • 200 m IR distance • Powered-by-DarkFighter • Pan speed: 240°/s, Tilt speed: 200°/s • IP66, IK10 	<ul style="list-style-type: none"> • 7 inch • 8 MP resolution • 25× optical zoom • 200 m IR distance • Powered-by-DarkFighter • Pan speed: 240°/s, Tilt speed: 200°/s • IP66, IK10

Network Video Recorders

Model	Appearance	Key Features
DS-7608NXI-I2(/8P)/S(C)		<ul style="list-style-type: none"> • Up to 8-ch network camera input • Intelligent analysis based on deep learning algorithm: up to 4-ch perimeter protection; up to 1-ch facial recognition for video streams or 4-ch facial recognition for face pictures • Quick target search • H.265+/H.265/H.264+/H.264 video formats • Up to 16-ch 1080p decoding capability • Optional 8 PoE ports, with /8P model • 1U chassis
DS-7616NXI-I2(/16P)/S(C)		<ul style="list-style-type: none"> • Up to 16-ch network camera input • Intelligent analysis based on deep learning algorithm: up to 4-ch perimeter protection; up to 1-ch facial recognition for video streams or 4-ch facial recognition for face pictures • Quick target search • H.265+/H.265/H.264+/H.264 video formats • Up to 16-ch 1080p decoding capability • Optional 16 PoE ports, with /16P model • 1U chassis
DS-7716NXI-I4(/16P)/S(C)		<ul style="list-style-type: none"> • Up to 16-ch network camera input • Intelligent analysis based on deep learning algorithm: up to 4-ch perimeter protection; up to 1-ch facial recognition for video streams or 4-ch facial recognition for face pictures • Quick target search • H.265+/H.265/H.264+/H.264 video formats • Up to 16-ch 1080p decoding capability • Optional 16 PoE ports, with /16P model • 1.5U chassis
DS-7732NXI-I4(/16P)/S(C)		<ul style="list-style-type: none"> • Up to 32-ch network camera input • Intelligent analysis based on deep learning algorithm: up to 4-ch perimeter protection; up to 1-ch facial recognition for video streams or 4-ch facial recognition for face pictures • Quick target search • H.265+/H.265/H.264+/H.264 video formats • Up to 16-ch 1080p decoding capability • Optional 16 PoE ports, with /16P model • 1.5U chassis

Digital Video Recorders

Appearance			
Model	Key Features	Model	Key Features
iDS-7204HUHI-M1(2)/S	<ul style="list-style-type: none"> • Deep learning based motion detection on all 4 channels • Up to 4-ch deep learning based perimeter protection • 5 MP @ 12 fps (CH1: supports 8 MP @ 8 fps) • A maximum input of 8 network cameras (up to 8 MP) 	iDS-7232HQHI-M2/S	<ul style="list-style-type: none"> • Deep learning based motion detection on all 32 channels • Up to 4-ch deep learning based perimeter protection • 4 MP Lite @ 15 fps / 1080p @ 15 fps • A maximum input of 40 network cameras (up to 6 MP)*
iDS-7208HUHI-M1(2)/S	<ul style="list-style-type: none"> • Deep learning based motion detection on all 8 channels • Up to 4-ch deep learning based perimeter protection • 8 MP @ 8 fps / 5 MP @ 12 fps • A maximum input of 16 network cameras (up to 8 MP) 	iDS-7204HUHI-M1(2)/FA	<ul style="list-style-type: none"> • Deep learning based motion detection on all 4 channels • 1-ch face capture and comparison • Up to 4-ch deep learning based perimeter protection • 5 MP @ 12 fps (CH1: supports 8 MP @ 8 fps) • A maximum input of 8 network cameras (up to 8 MP)
iDS-7216HUHI-M2/S	<ul style="list-style-type: none"> • Deep learning based motion detection on all 16 channels • Up to 4-ch deep learning based perimeter protection • 8 MP @ 8 fps / 5 MP @ 12 fps • A maximum input of 24 network cameras (up to 8 MP) 	iDS-7208HUHI-M1(2)/FA	<ul style="list-style-type: none"> • Deep learning based motion detection on all 8 channels • 1-ch face capture and comparison • Up to 4-ch deep learning based perimeter protection • 8 MP @ 8 fps / 5 MP @ 12 fps • A maximum input of 16 network cameras (up to 8 MP)
iDS-7204HQHI-M1/S	<ul style="list-style-type: none"> • Deep learning based motion detection on all 4 channels • Up to 2-ch deep learning based perimeter protection • 4 MP Lite @ 15 fps / 1080p @ 15 fps • A maximum input of 6 network cameras (up to 6 MP) 	iDS-7204HQHI-M1/FA	<ul style="list-style-type: none"> • Deep learning based motion detection on all 4 channels • 1-ch face capture and comparison • Up to 2-ch deep learning based perimeter protection • 4 MP Lite @ 15 fps / 1080p @ 15 fps • A maximum input of 6 network cameras (up to 6 MP)
iDS-7208HQHI-M1(2)/S	<ul style="list-style-type: none"> • Deep learning based motion detection on all 8 channels • Up to 4-ch deep learning based perimeter protection • 4 MP Lite @ 15 fps / 1080p @ 15 fp • A maximum input of 12 network cameras (up to 6 MP) 	iDS-7208HQHI-M1/FA	<ul style="list-style-type: none"> • Deep learning based motion detection on all 8 channels • 1-ch face capture and comparison • Up to 4-ch deep learning based perimeter protection • 4 MP Lite @ 15 fps / 1080p @ 15 fp • A maximum input of 12 network cameras (up to 6 MP)
iDS-7216HQHI-M1(2)/S	<ul style="list-style-type: none"> • Deep learning based motion detection on all 16 channels • Up to 4-ch deep learning based perimeter protection • 4 MP Lite @ 15 fps / 1080p @ 15 fps • A maximum input of 24 network cameras (up to 6 MP) 	iDS-7216HQHI-M1/FA	<ul style="list-style-type: none"> • Deep learning based motion detection on all 16 channels • 1-ch face capture and comparison • Up to 4-ch deep learning based perimeter protection • 4 MP Lite @ 15 fps / 1080p @ 15 fps • A maximum input of 24 network cameras (up to 6 MP)



**Calling all
Hikvision distributors
and installers!**

By delivering innovative, AI-powered security features at an affordable price point, AcuSense helps Hikvision installers and distributors to sell more, and deliver even more value for customers. This helps all our installers and distributors to build stronger, longer, and more profitable customer relationships.

As an additional benefit, AcuSense-enabled cameras are as easy to install and configure as traditional CCTV cameras, so installers can begin delivering this exciting new technology for customers quickly, and with minimal training. Hikvision also provides all the information and support needed to get started quickly!

For more information on the benefits of Hikvision AcuSense for installers and distributors of Hikvision products, please contact us today.